

Revised with Olga Beltramello 6/07/2005

Created by Vladimer Shekrladze
21 / 06 / 2005

Clearance Publish

Clearance=50mm

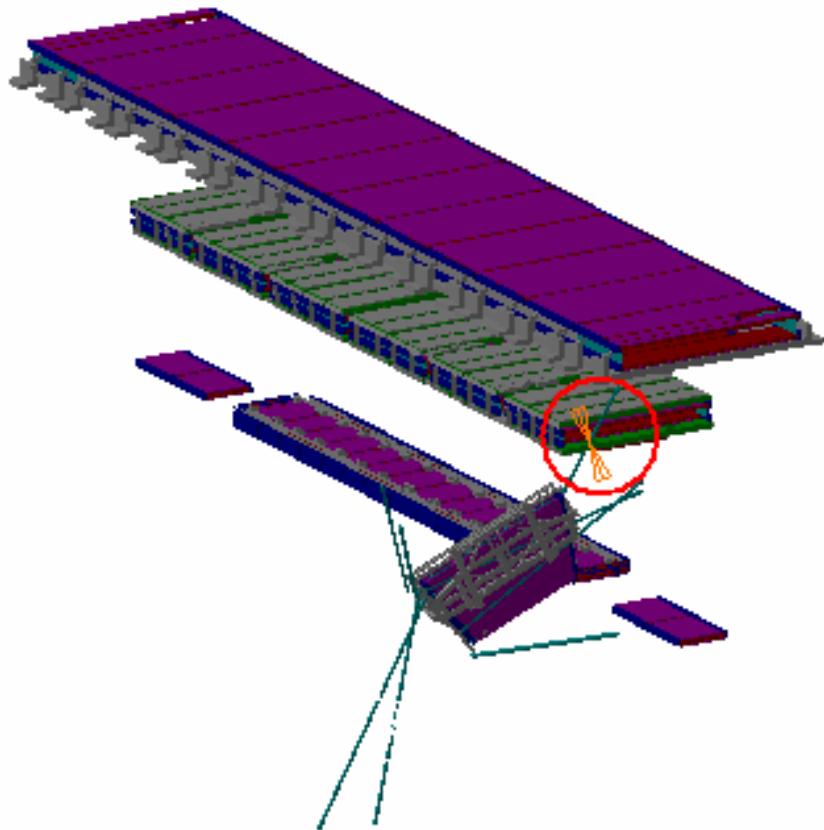


Clearance Computation Specification			
Products Selected			
AT632629 MQ Alignment BAR EIL4, Side C, Sector 3	AT602154MQ MCB Muon Barrel Chambers Detailed Sec 2	13.47	Relevant
	ATCZ5_0001 Z5 GLOBAL ENVELOPE (SIDE C) - AND LOCATION INTERFACES UNDER CONSTRUCTION	---	Waiting New Version
	AT602155MQ MCB Muon Barrel Chambers Detailed Sec 3	0	Relevant

Revised with Vincent Barozier and Giancarlo Spigo 4/07/2005

RELEVANT

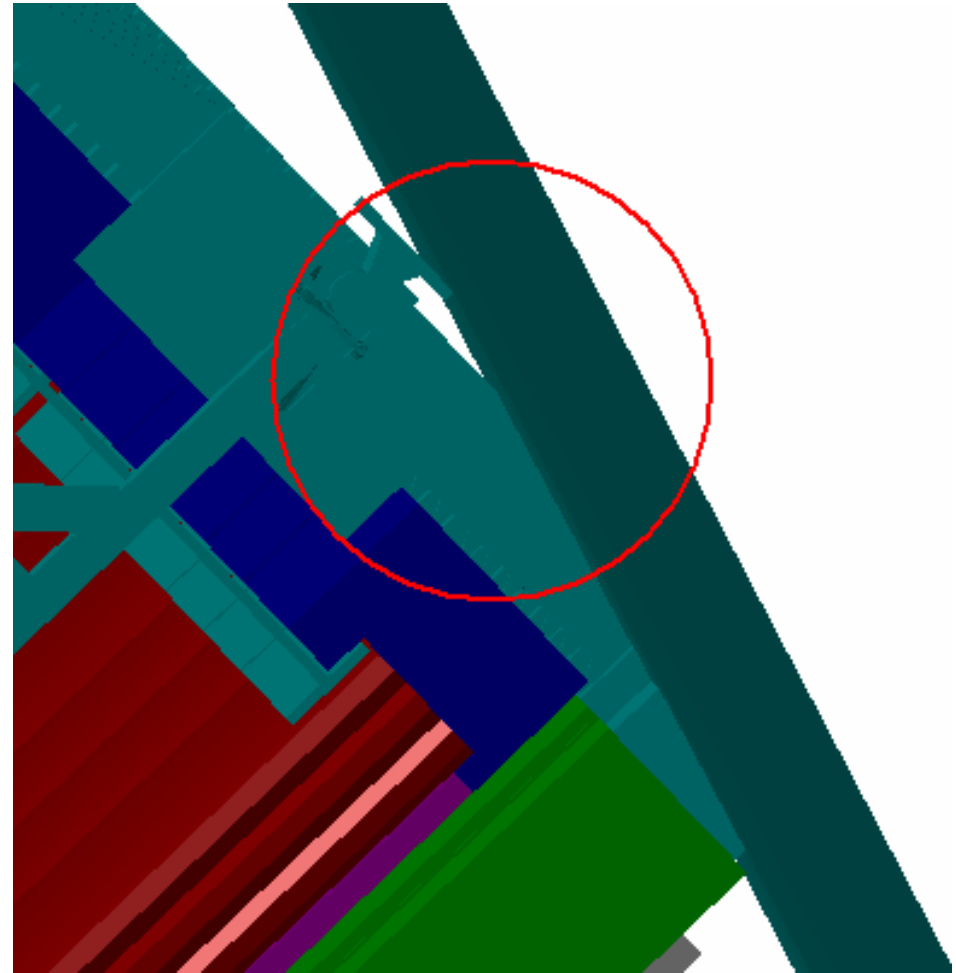
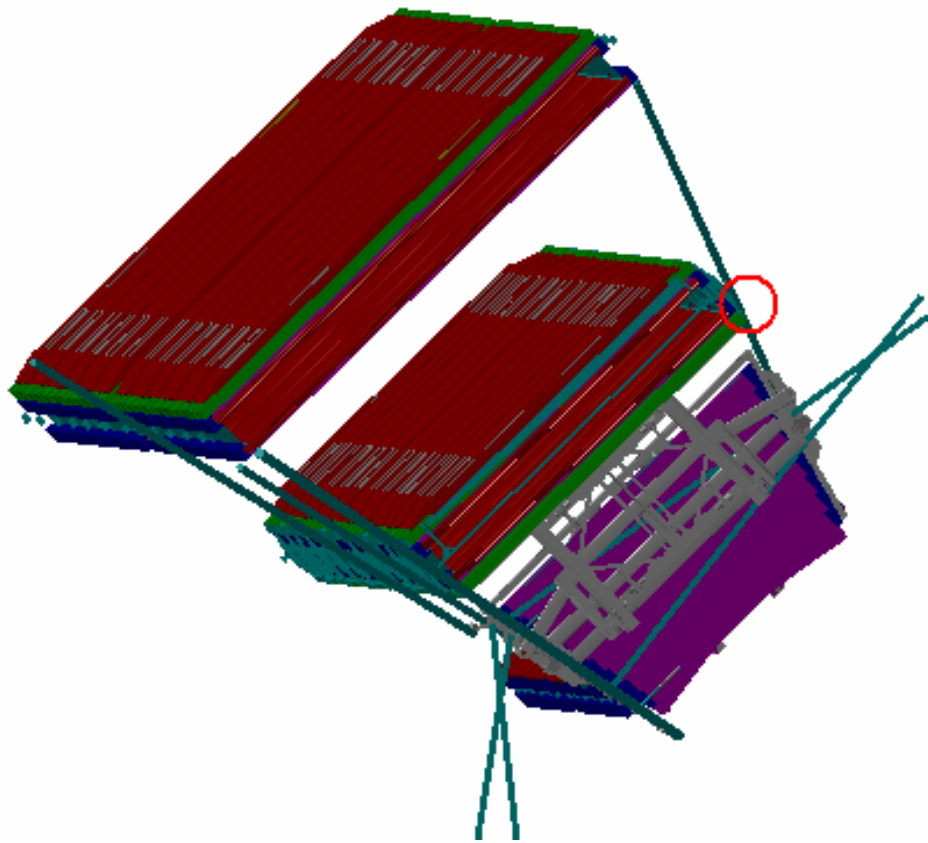
AT632629 MQ Alignment BAR EIL4, Side C, Sector 3	AT602154MQ MCB Muon Barrel Chambers Detailed Sec 2	Vector coordinate $\Delta X=-3.92\text{mm}$ $\Delta Y=8.86\text{mm}$ $\Delta Z=-9.36\text{mm}$	13.47mm	Relevant
---	---	---	---------	----------



Sector 3

RELEVANT

AT632629 MQ Alignment BAR EIL4, Side C, Sector 3	AT602155MQ MCB Muon Barrel Chambers Detailed Sec 3	Contact	0mm	Relevant
---	---	---------	-----	----------



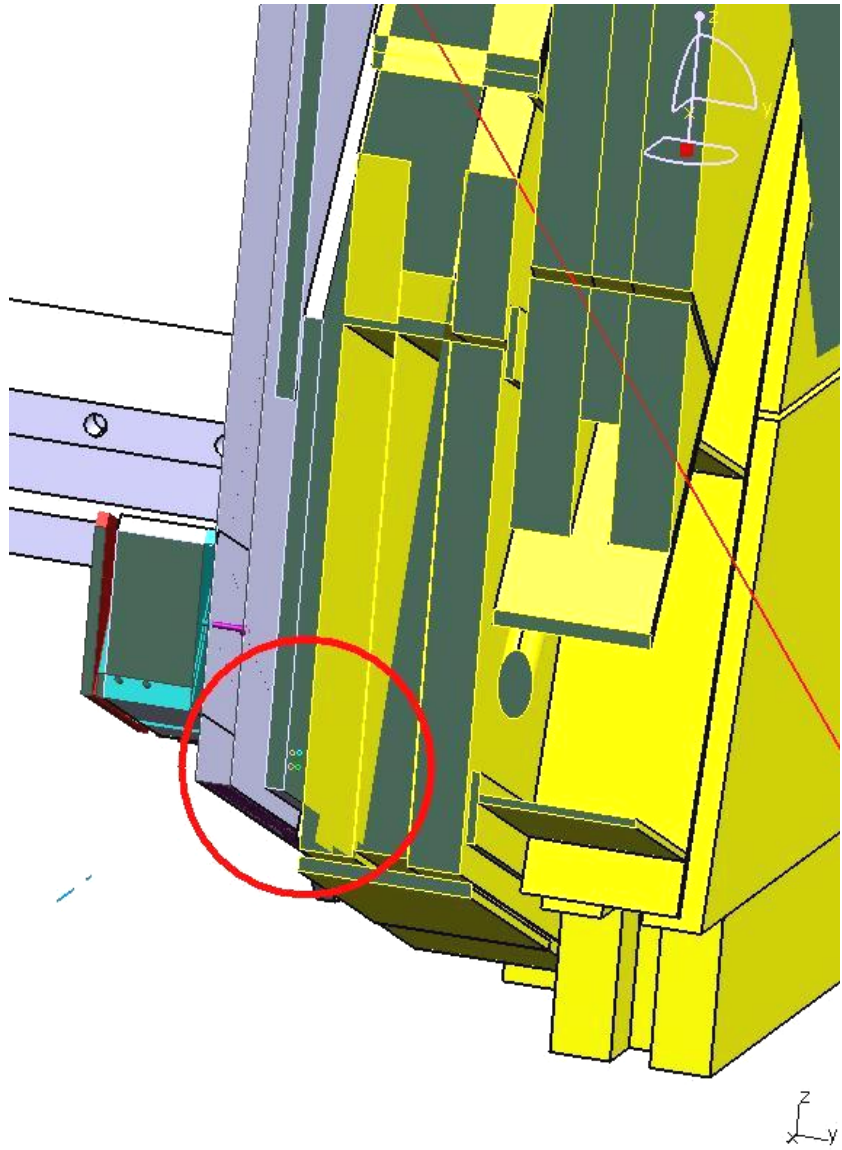
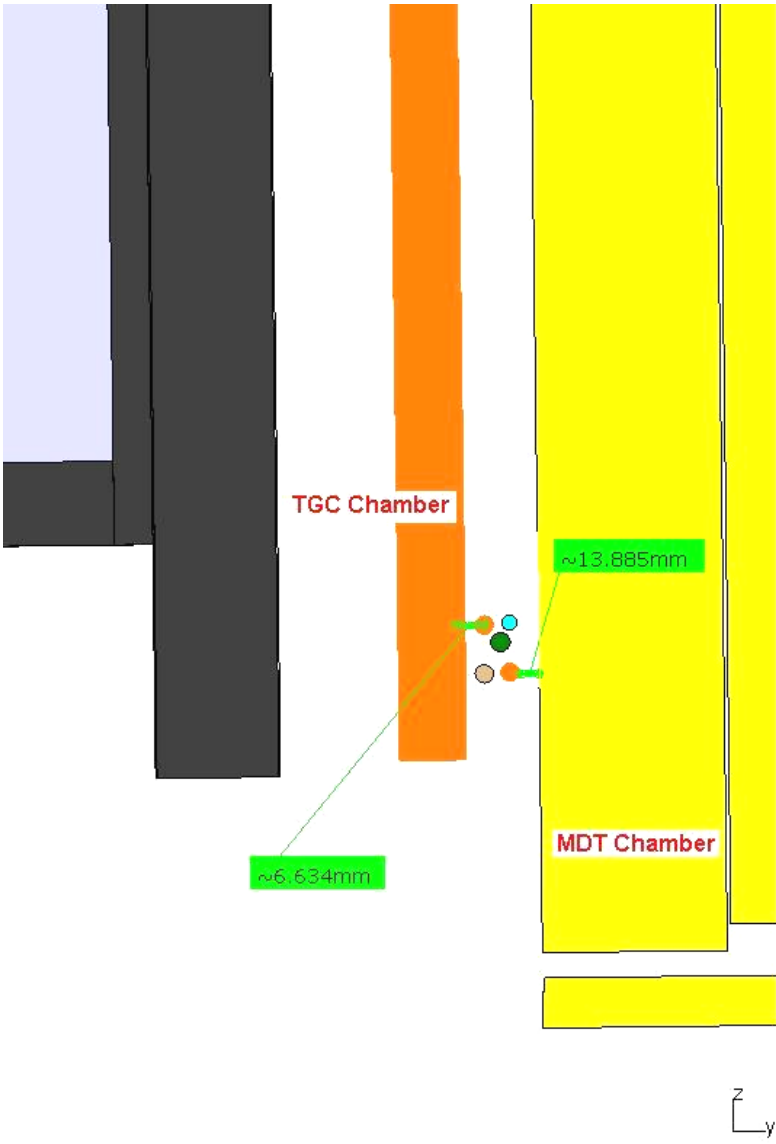
Side C
Sector 3

Clearance Publish



Clearance Computation Specification			
Products Selected			
ODATJ309_JD - JD Piping traction System	ATCNMC_0018 MDT Chambers AT302355MQ – JD Shielding Assm.	6.6 mm 14 mm	Not inspected
	AT302355MQ – JD Shielding Assm.	6.2 mm	Not inspected

ODATJ309_JD-JD Piping traction System	ATCNMC_0018 MDT Chambers AT302355MQ – JD Shielding Assm.	Clearance	6.6 mm 14 mm	Not inspected
---------------------------------------	---	-----------	-----------------	---------------



ODATJ309_JD-JD Piping traction System	AT302355MQ – JD Shielding Assm.	Clearance	6.2 mm	Not inspected
---------------------------------------	---------------------------------	-----------	--------	---------------

