

Revised with Olga Beltramello 6/07/2005

Created by Lado Shekrladze
21 / 06 / 2005

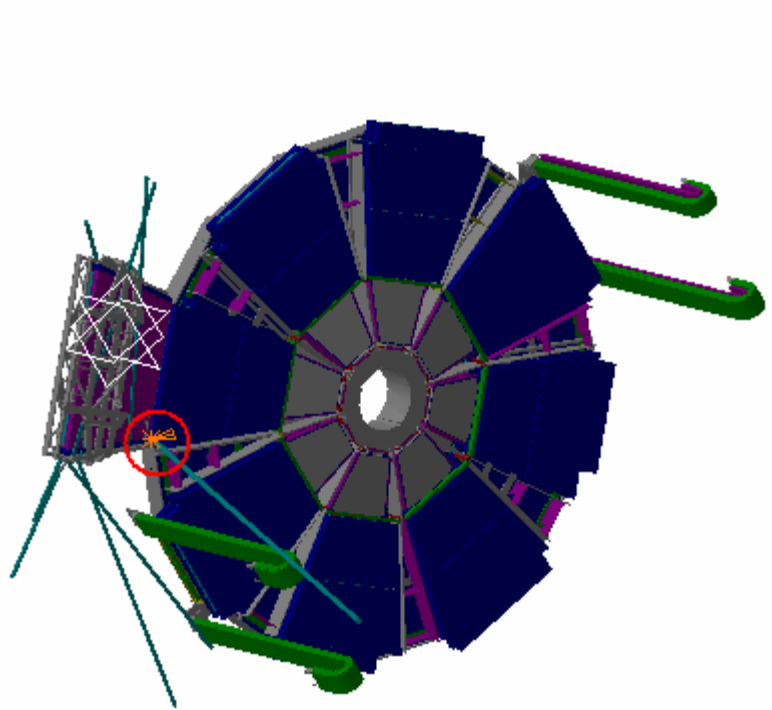
Clash Publish



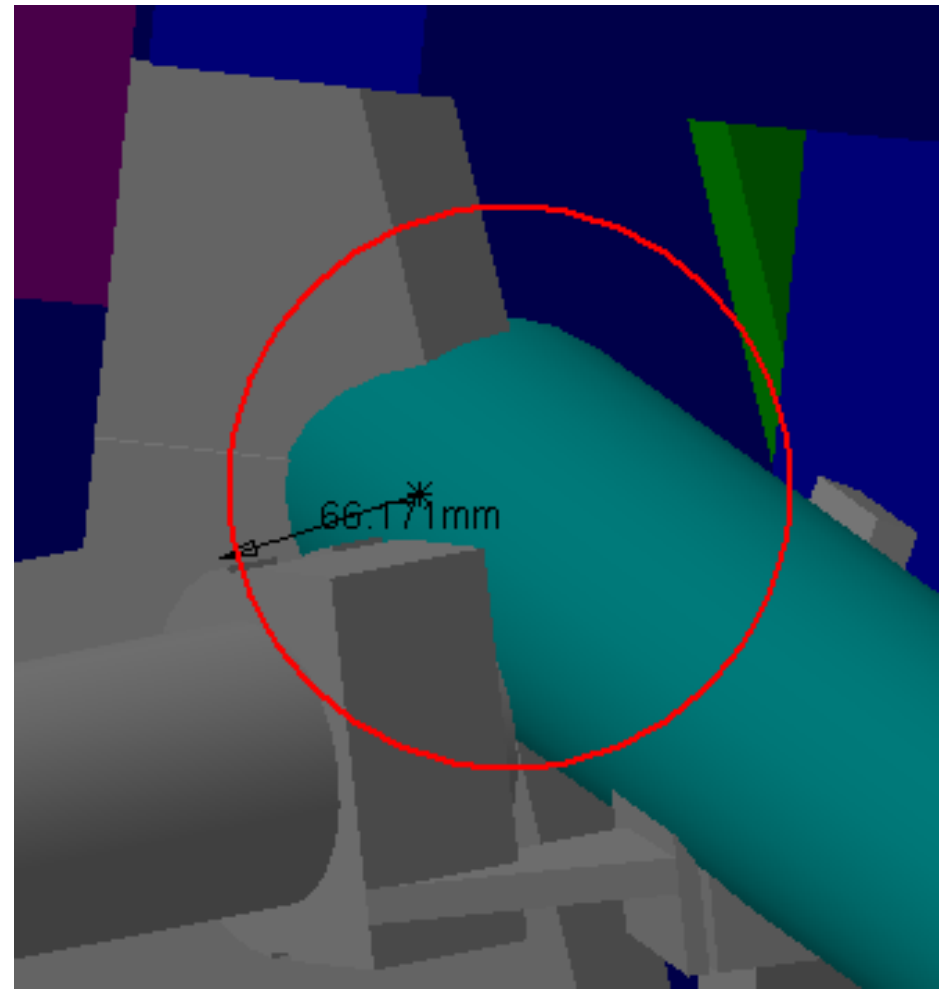
Clash Computation Specification			
Products Selected			
AT632629 MQ Alignment BAR EIL4, Side C, Sector 3	ATCNMC_0018 SMALL WHEEL (SIDE C) - SIMPLIFIED 3-D OBJECT	-66.17	Not Relevant
	ATCNMC_0019 MEE CHAMBERS SIDE C - 3D SIMPLIFIED MODEL	-72	Warning
	ATCNMA_0002 BARREL PROJECTIVE ALIGNMENT. - SIMPLE 3-D MODEL. SECTOR 3.	-91.44	Not Relevant
	ATCNMA__0010 END CAP ALIGNMENT SIDE "C" - SIMPLE 3-D MODEL	-99.27	Not Relevant
	ATCNTB_0003 TB WARM STRUCTURE - SIMPLIFIED 3-D OBJECT	-374.51	Not Relevant
	ATCNTB_0001 BT2 TB STANDARD COIL - SECTORS 2	-83.93	Not Relevant
	ATCNTB_0001 BT4 TB STANDARD COIL - SECTORS 4	-9.63	Not Relevant
	AT592057MQ SW outer Chains	-66.39	Not Relevant
	AT602154MQ MCB Muon Barrel Chambers Detailed Sector 2	-720.69	Relevant

Revised with Vincent Barozier and Giancarlo Spigo 4/07/2005

AT632629 MQ Alignment BAR EIL4, Side C, Sector 3	ATCNMC_0018 SMALL WHEEL (SIDE C) - SIMPLIFIED 3-D OBJECT	Clash	-66.17	Not Relevant
---	---	-------	--------	--------------

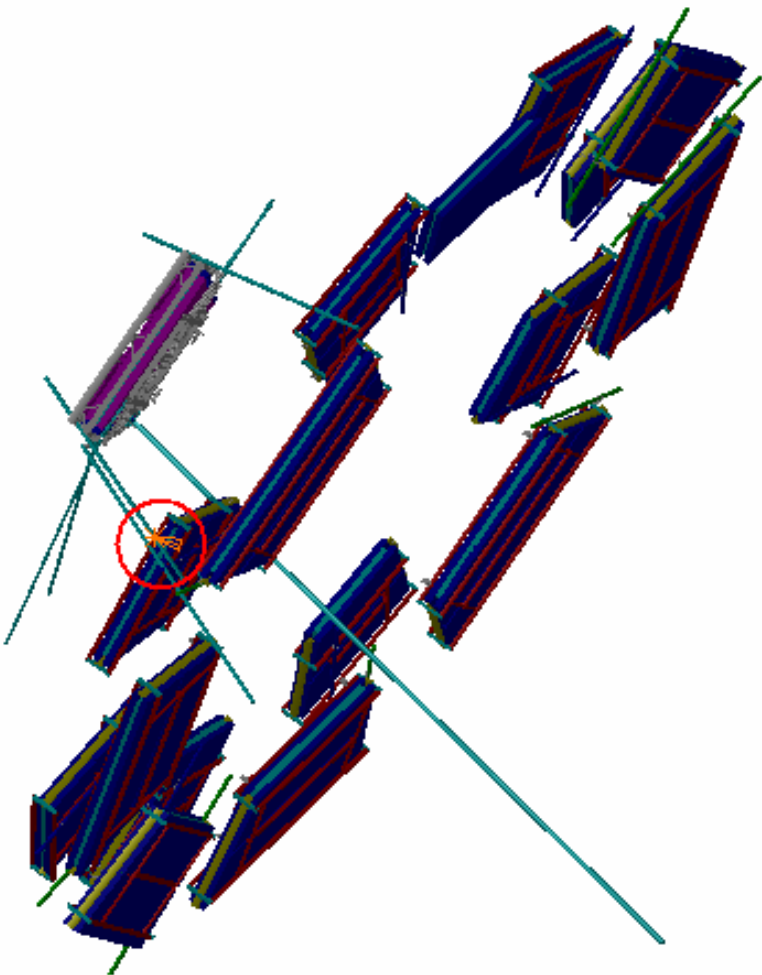


Side C
Sector 3

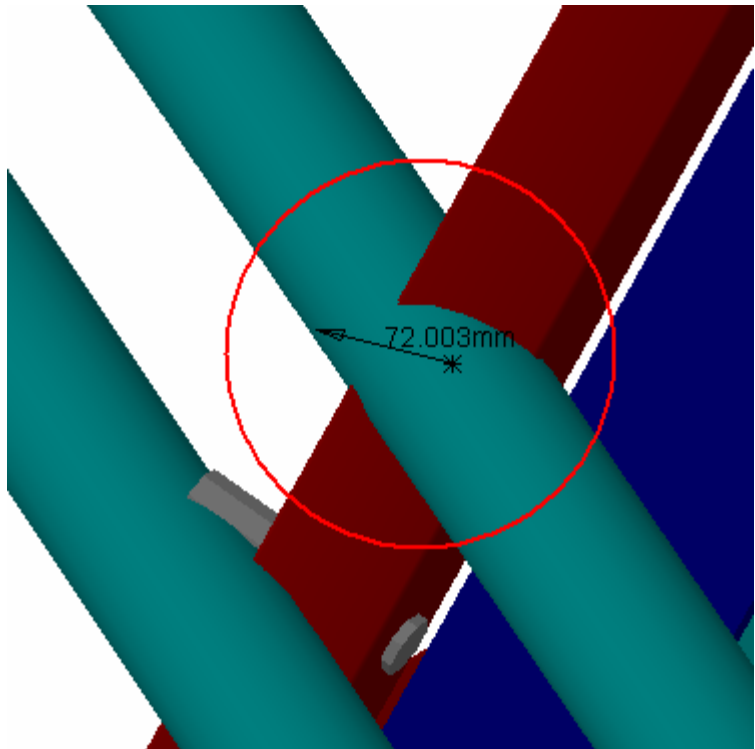


WARNING

AT632629 MQ Alignment BAR EIL4, Side C, Sector 3	ATCNMC_0019 MEE CHAMBERS SIDE C - 3D SIMPLIFIED MODEL	Clash	-72mm	Warning
---	---	-------	-------	---------

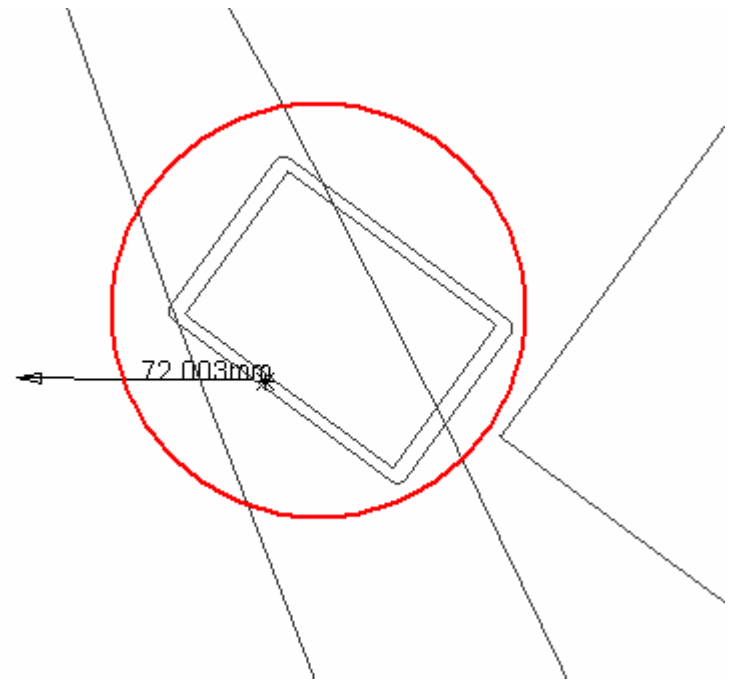
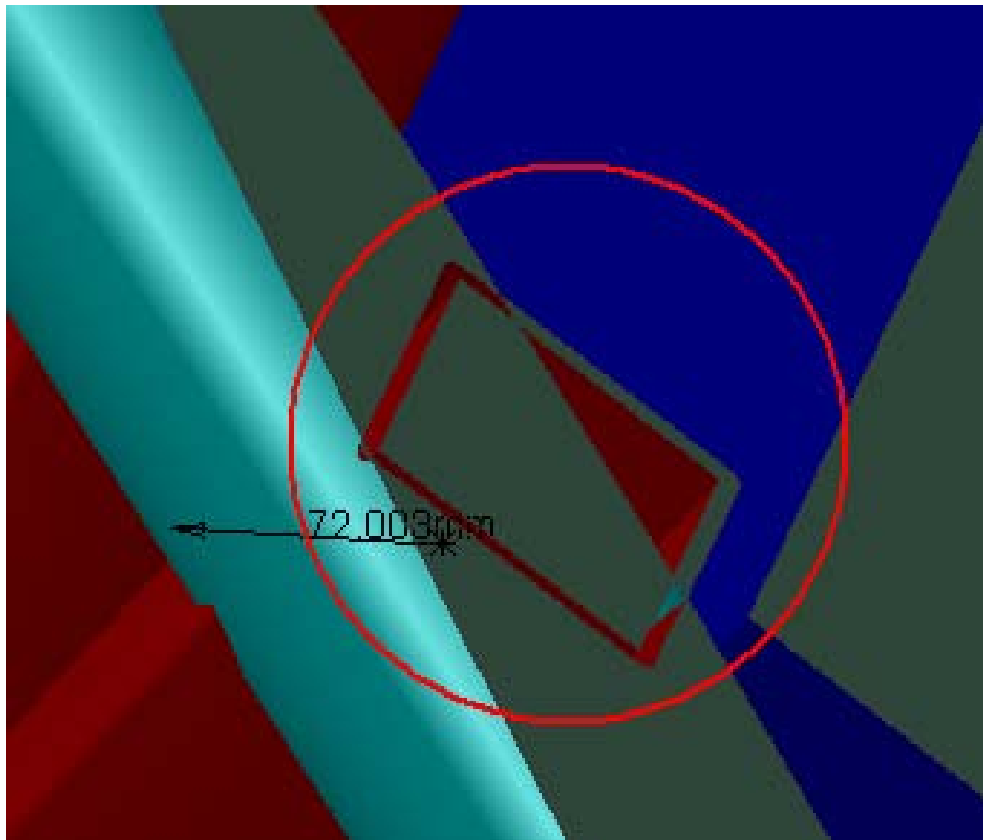


Side C
Sector 3

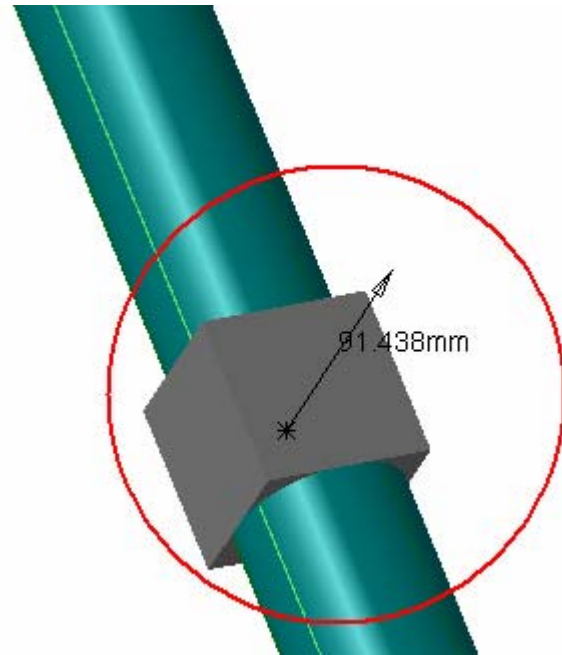
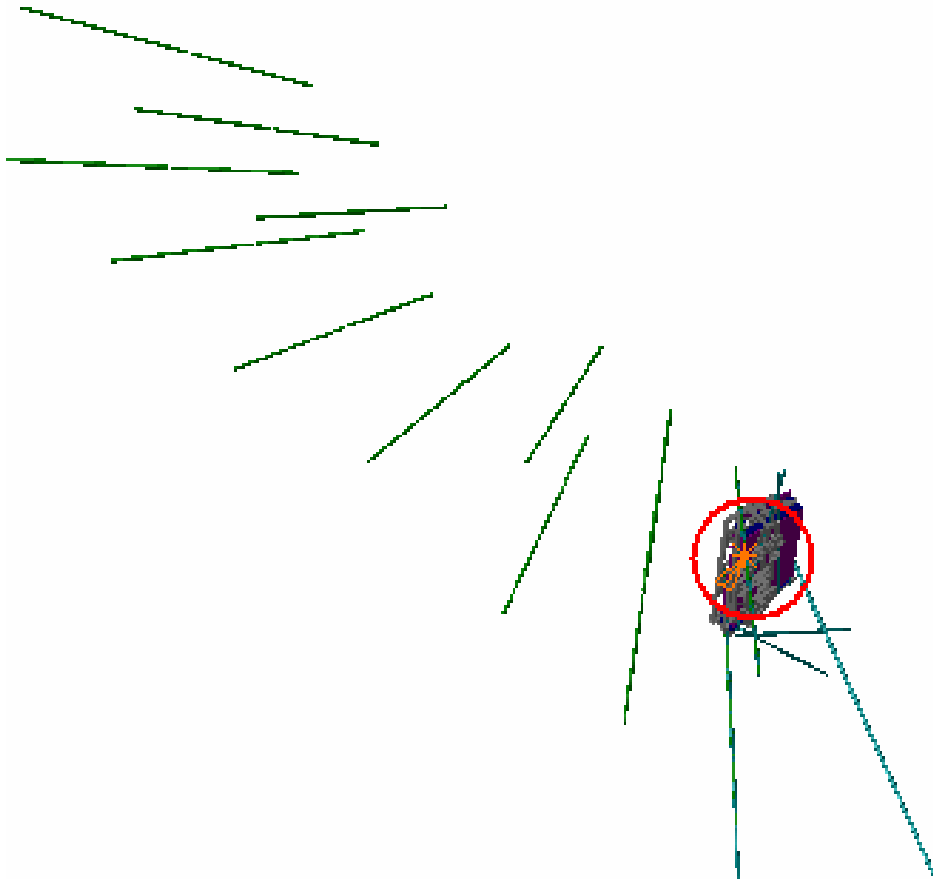


Giancarlo: Warning for future

Clash View 1:

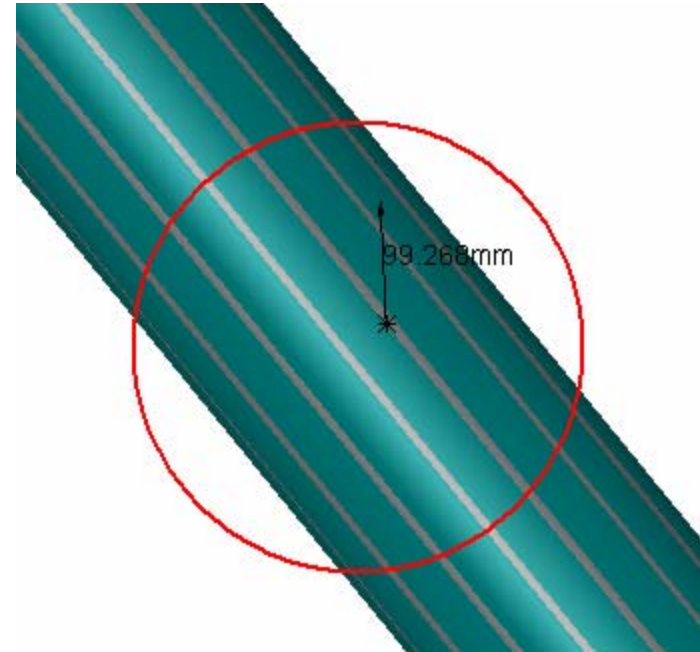
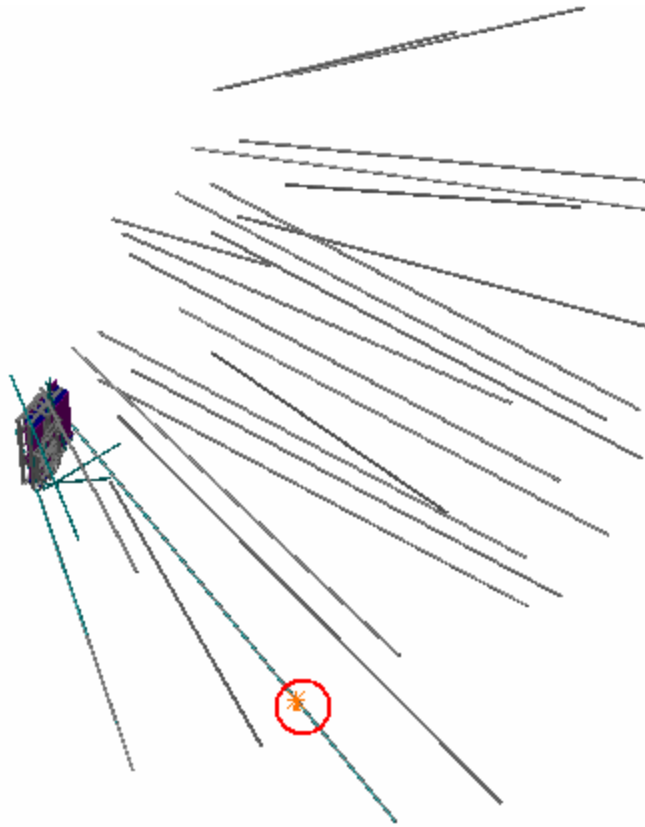


AT632629 MQ Alignment BAR EIL4, Side C, Sector 3	ATCNMA_0002 BARREL PROJECTIVE ALIGNMENT. - SIMPLE 3-D MODEL. SECTOR 3.	Clash	-91.44mm	Not Relevant
---	--	-------	----------	--------------



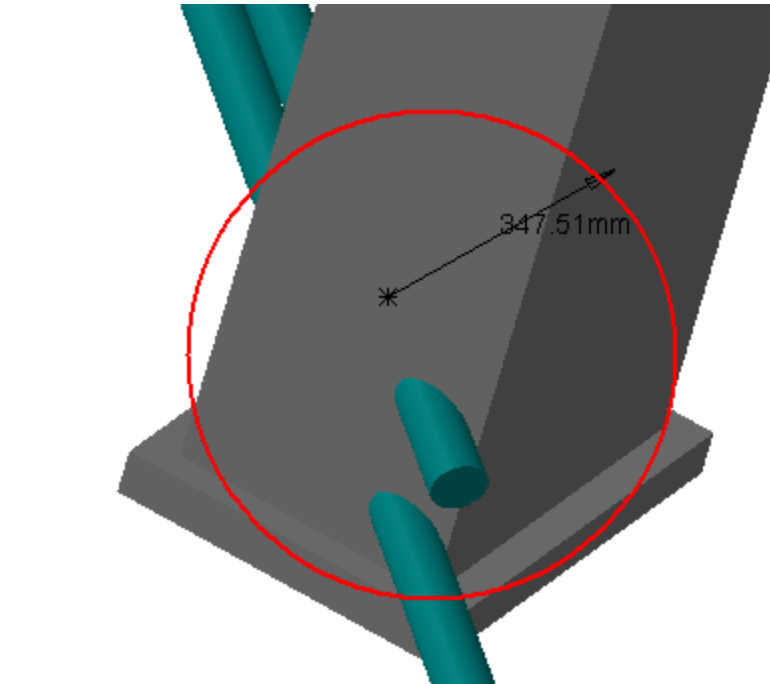
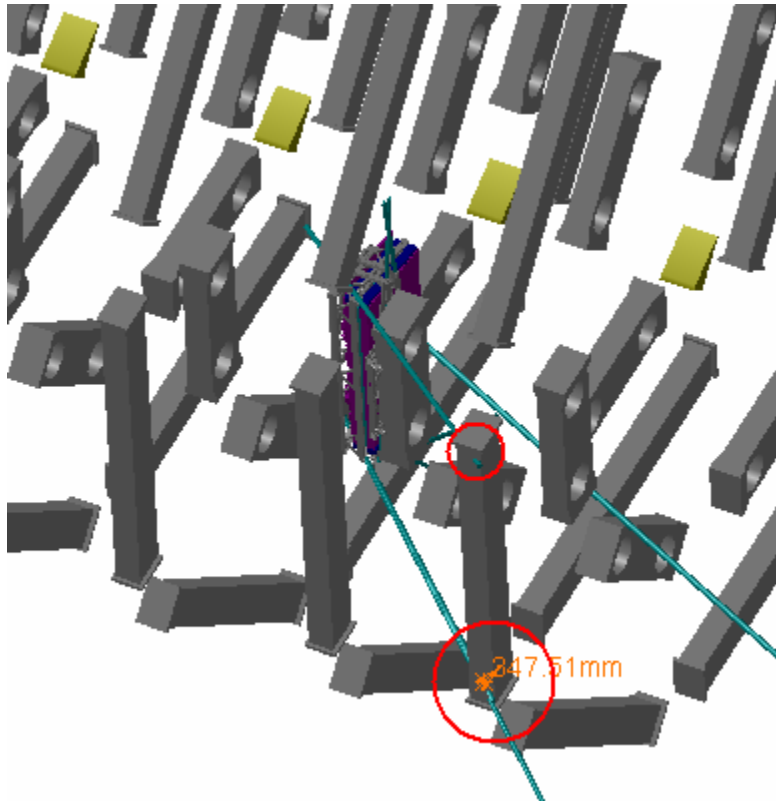
Side C
Sector 3

AT632629 MQ Alignment BAR EIL4, Side C, Sector 3	ATCNMA_0010 END CAP ALIGNMENT SIDE "C" - SIMPLE 3-D MODEL	Clash	-99.27mm	Not Relevant
---	---	-------	----------	--------------



Side C
Sector 3

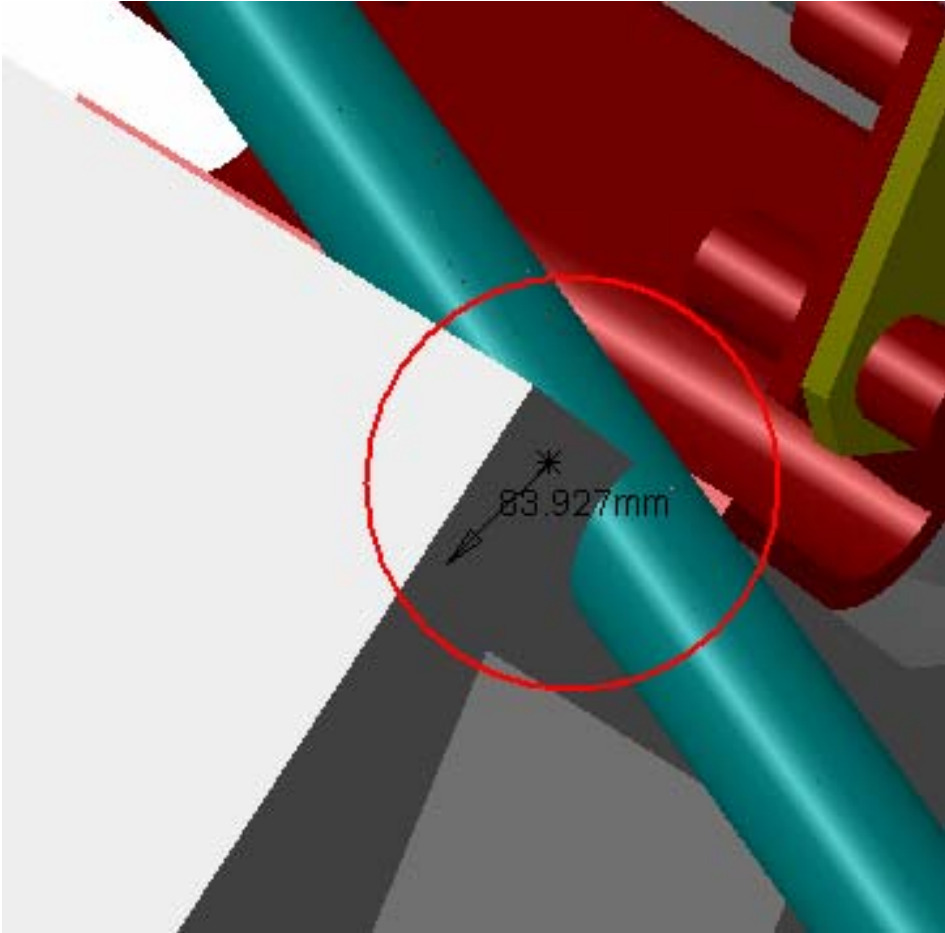
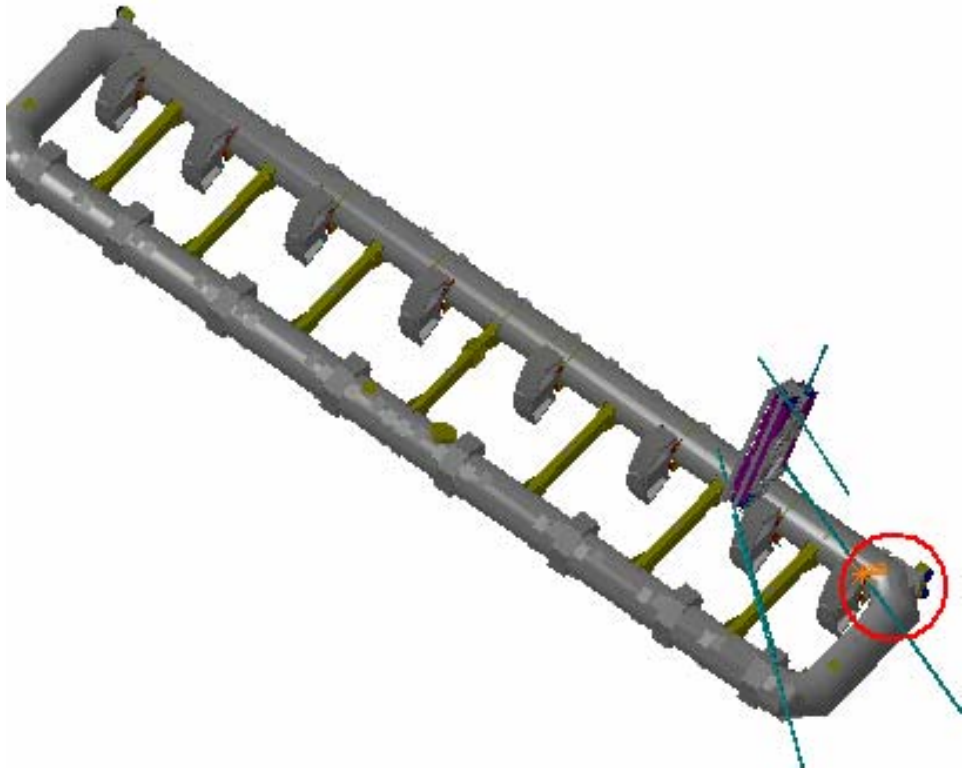
AT632629 MQ Alignment BAR EIL4, Side C, Sector 3	ATCNTB_0003 TB WARM STRUCTURE - SIMPLIFIED 3-D OBJECT	Clash	-374.51mm	Not Relevant
---	---	-------	-----------	--------------



Side C
Sector 3

Olga: Holes exist

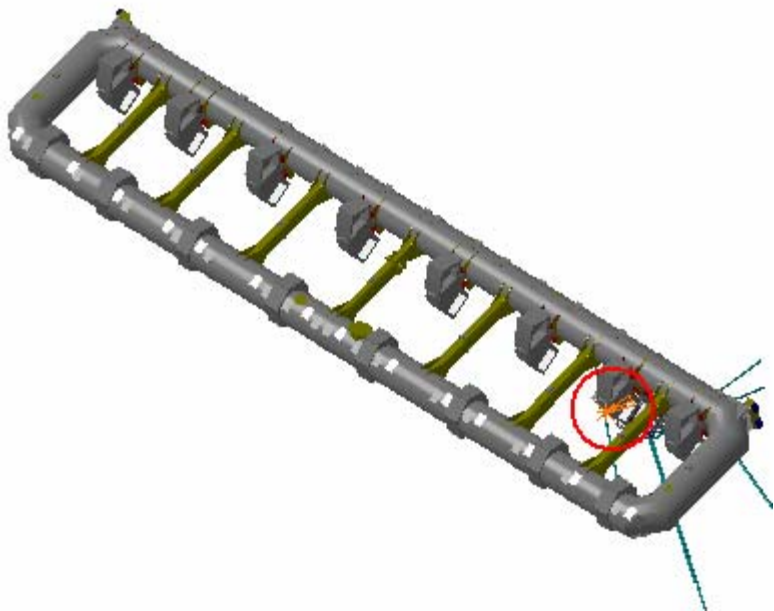
AT632629 MQ Alignment BAR EIL4, Side C, Sector 3	ATCNTB_0001 BT2 TB STANDARD COIL - SECTORS 2	Clash	-83.93mm	Not Relevant
---	---	-------	----------	--------------



Side C
Sector 3

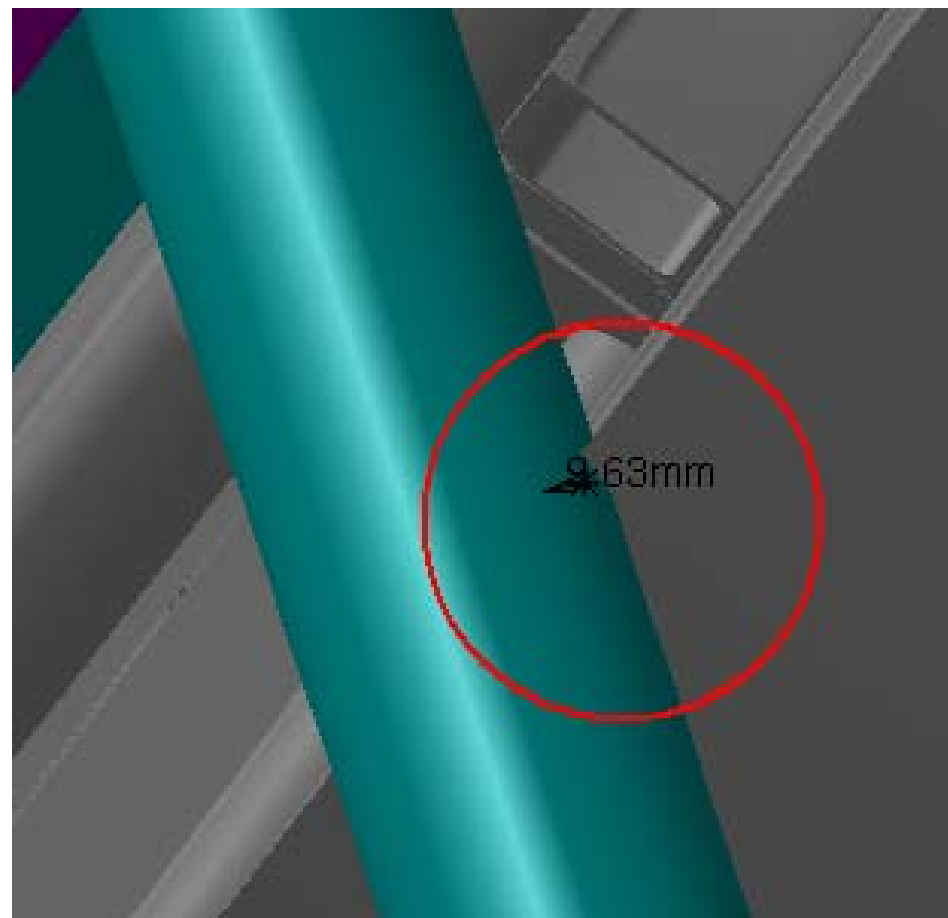
Lasha: I have already checked in Cavern and cutout exists. So, it is N.R.

AT632629 MQ Alignment BAR EIL4, Side C, Sector 3	ATCNTB_0001 BT4 TB STANDARD COIL - SECTORS 4	Clash	-9.63mm	Not Relevant
---	---	-------	---------	--------------

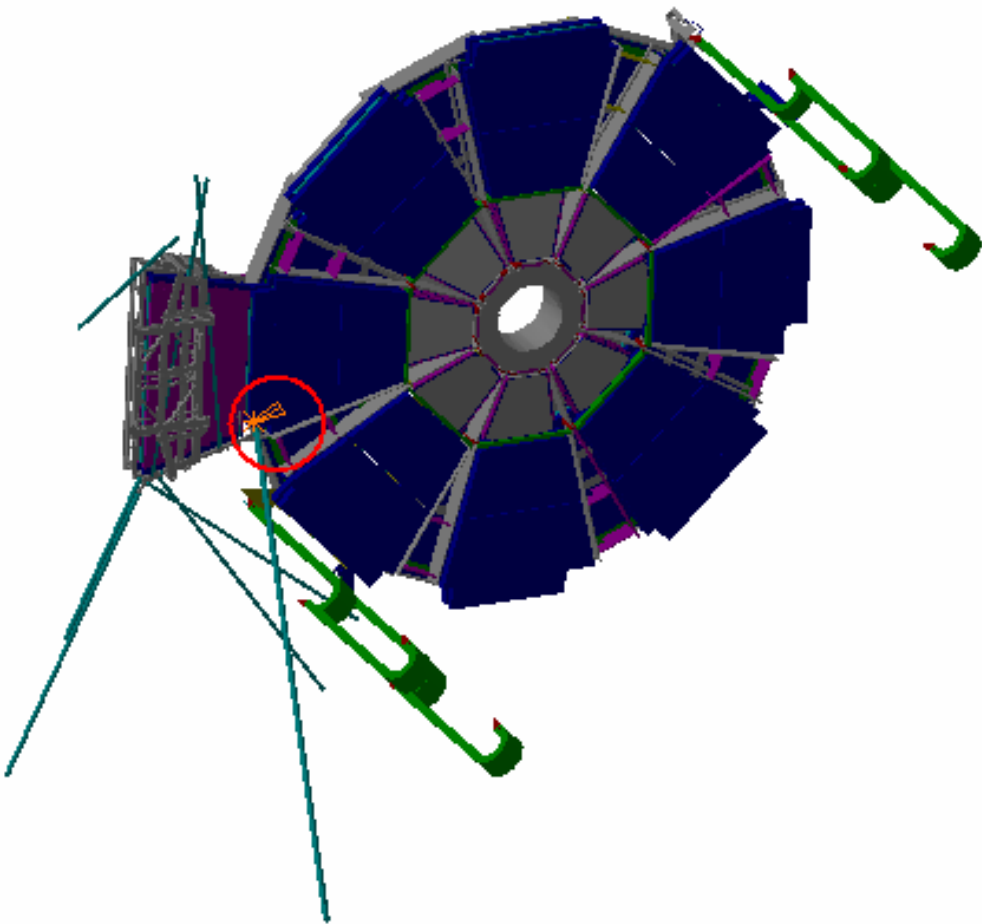


Lasha: I have checked in Cavern and cutout exists. So it is N.R

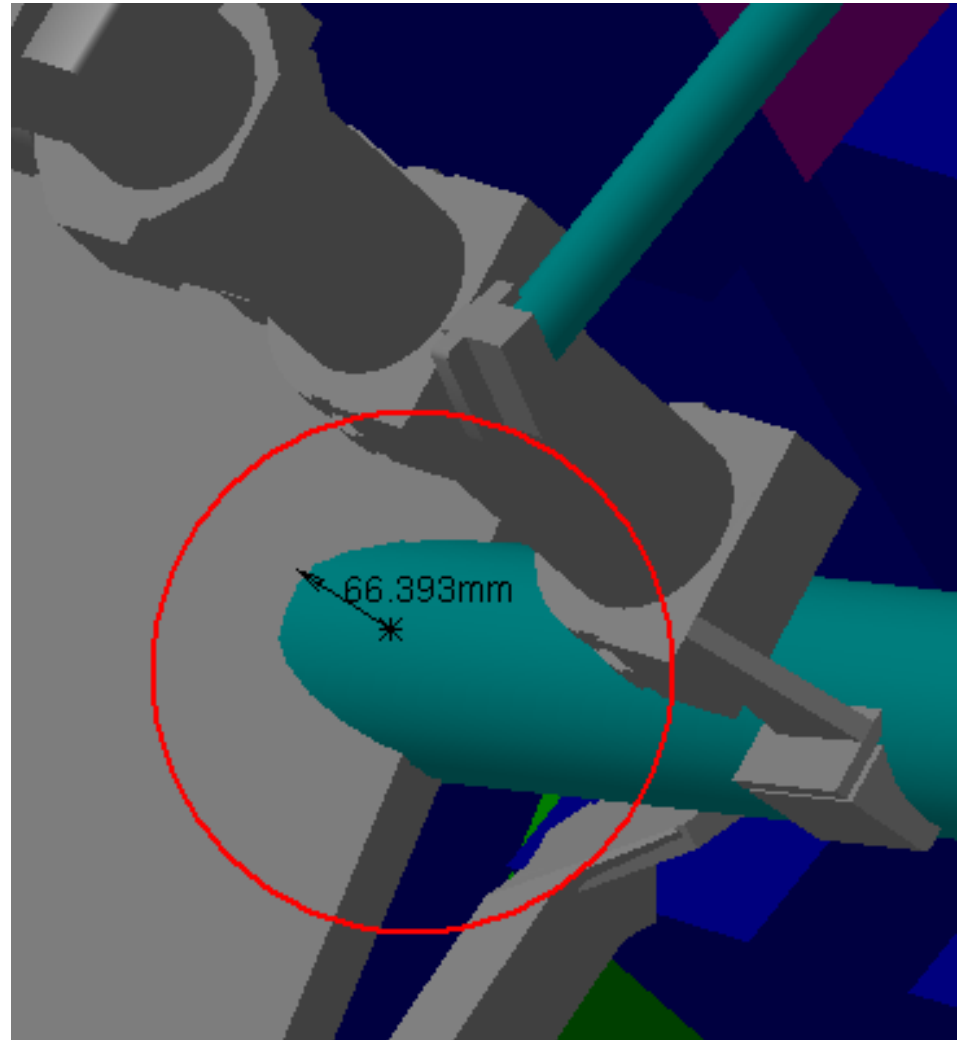
Side C
Sector 3



AT632629 MQ Alignment BAR EIL4, Side C, Sector 3	AT592057MQ SW outer Chains	Clash	-66.39	Not Relevant
---	----------------------------	-------	--------	--------------

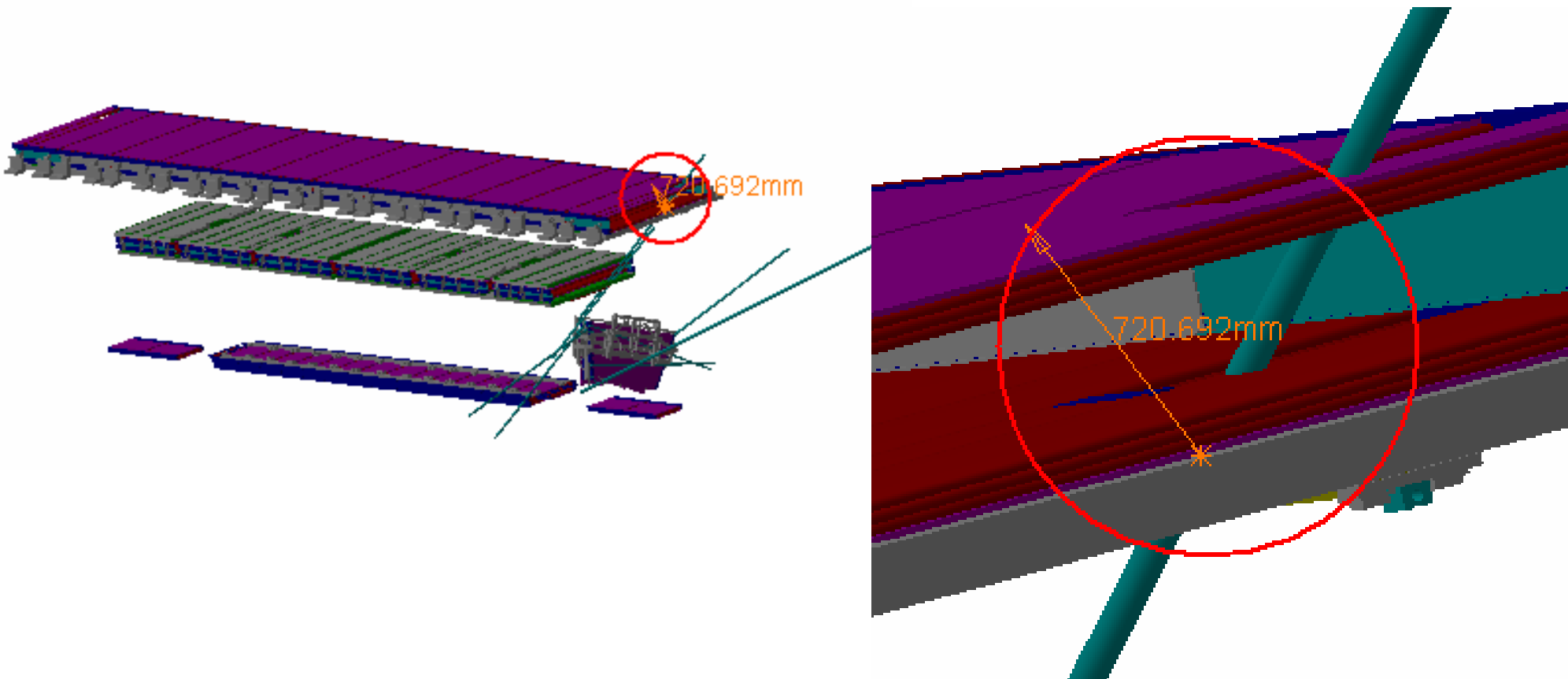


Side C
Sector 3



RELEVANT

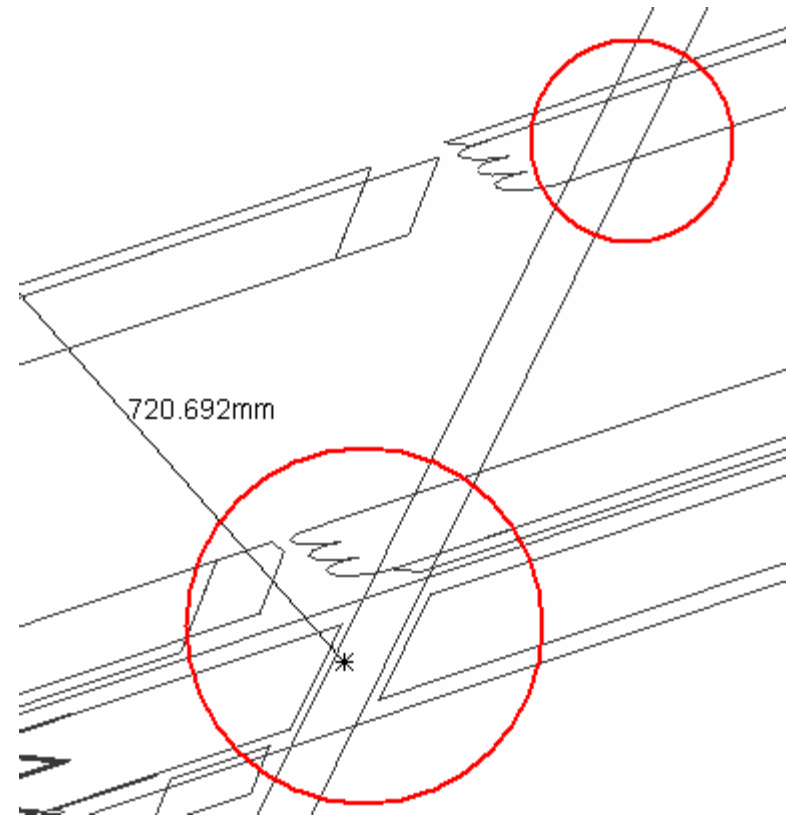
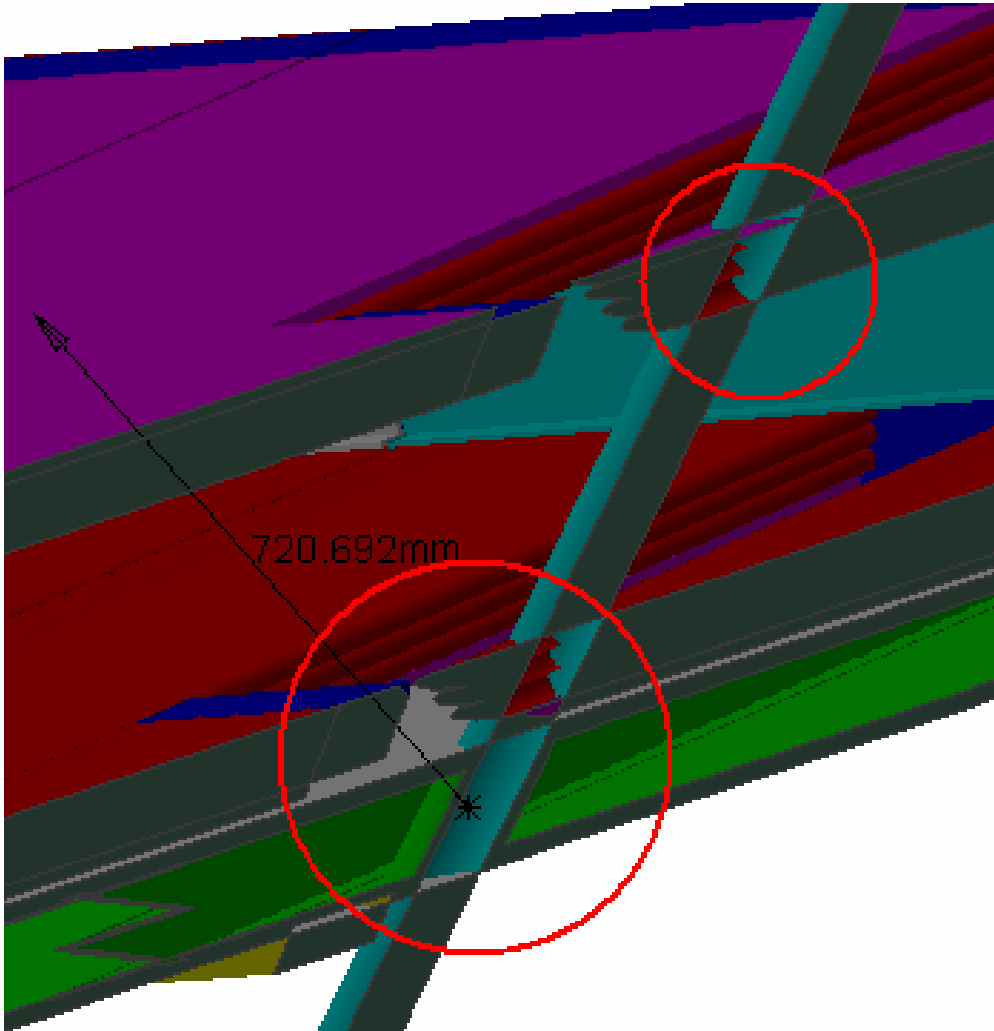
AT632629 MQ Alignment BAR EIL4, Side C, Sector 3	AT602154MQ MCB Muon Barrel Chambers Detailed Sector 2	Clash	-720.69mm	Relevant
---	--	-------	-----------	----------



Side C
Sector 3

Olga: BOS model to be updated

Clash View 1:

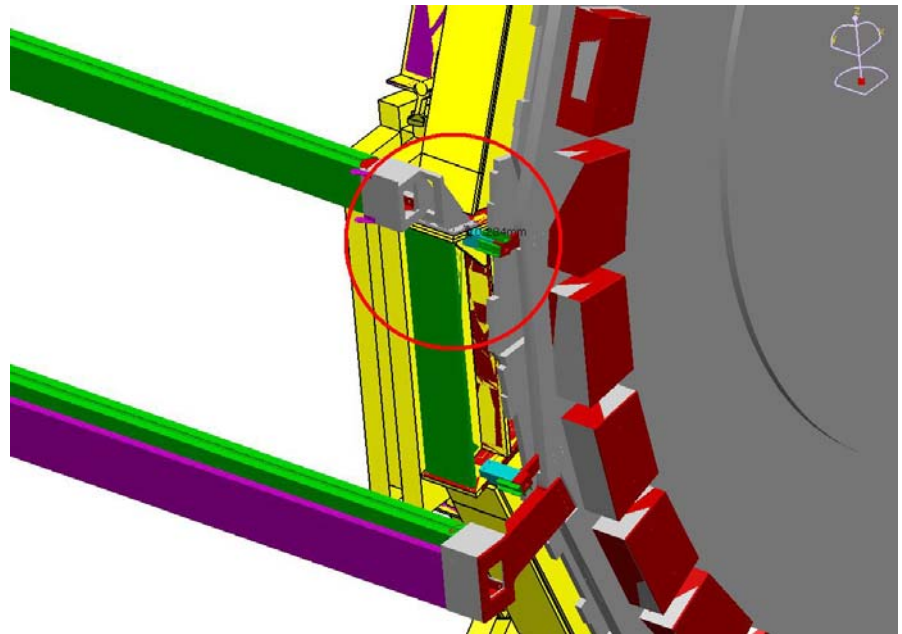
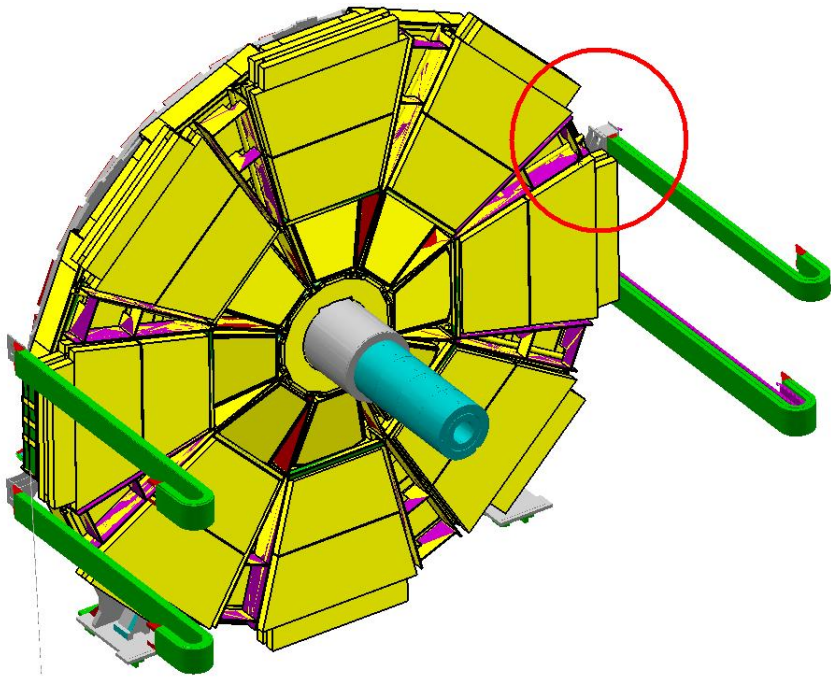


Clash Publish



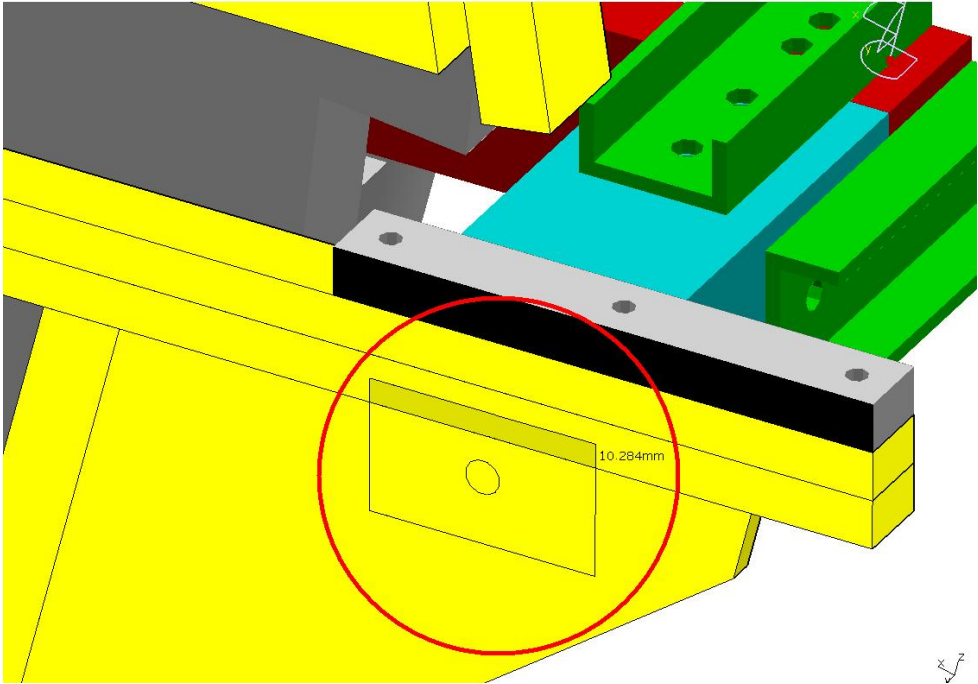
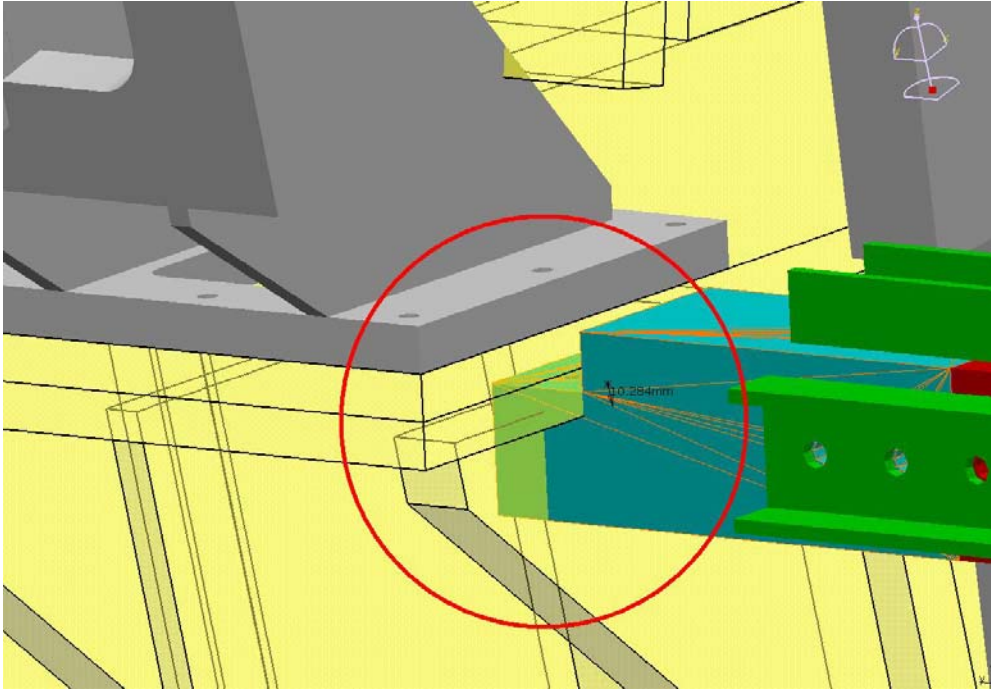
Clash Computation Specification			
Products Selected			
AT802345- Temporary_Model – Services to the Flexible Chains	ATCNMC_0018 MDT Chambers	10.3 mm	Not inspected
	ATCNMC_0018 MDT Chambers	10.5 mm	Not inspected
	ATCNMC_0018 MDT Chambers	2.3 mm	Not inspected

AT802345-Temporary_Model – Services to the Flexible Chains	ATCNMC_0018 MDT Chambers	CLASH	-1mm	Not inspected
--	--------------------------	-------	------	---------------

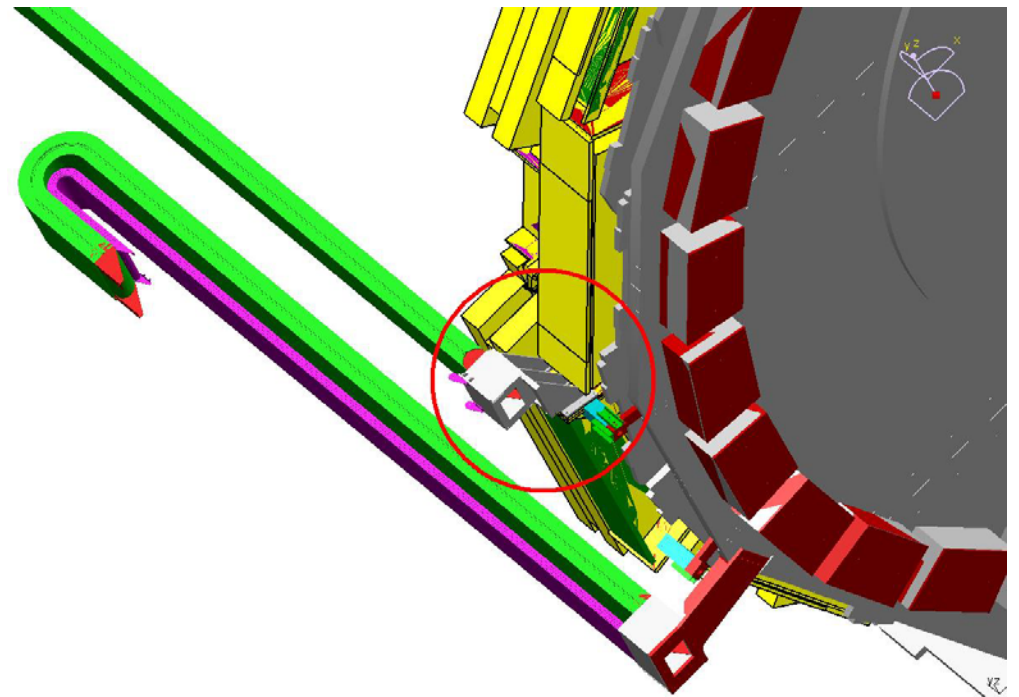
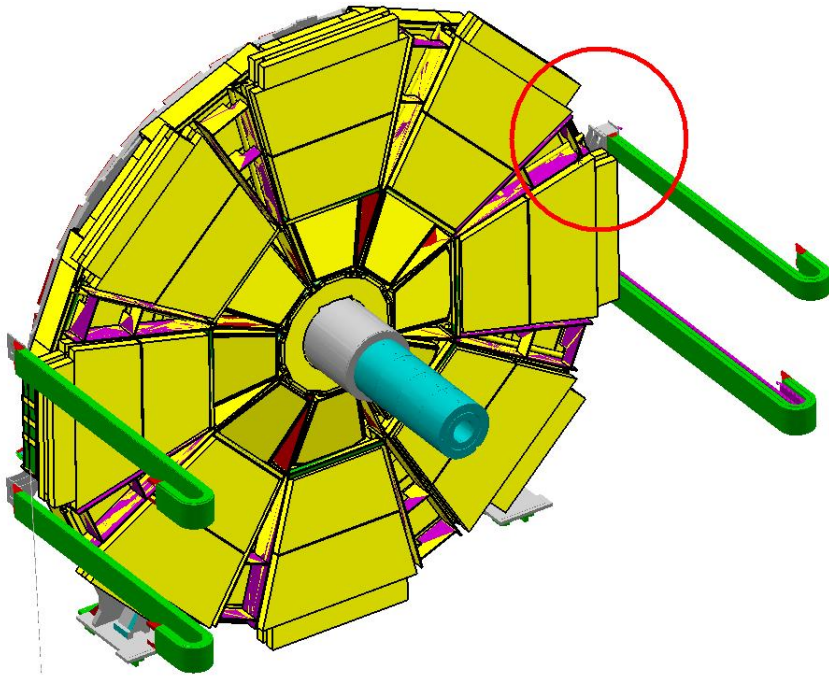


Side C, USA 15
Sector 8

Detailed Clash View

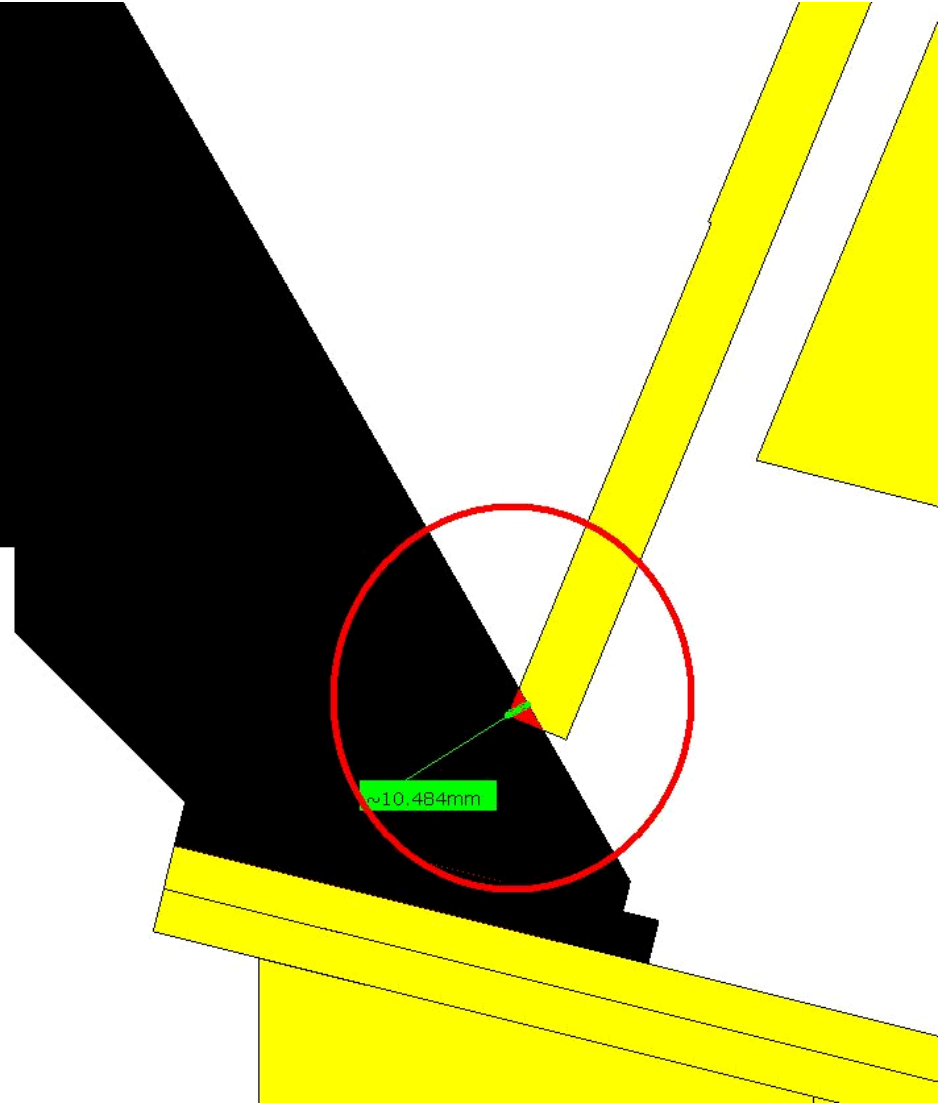
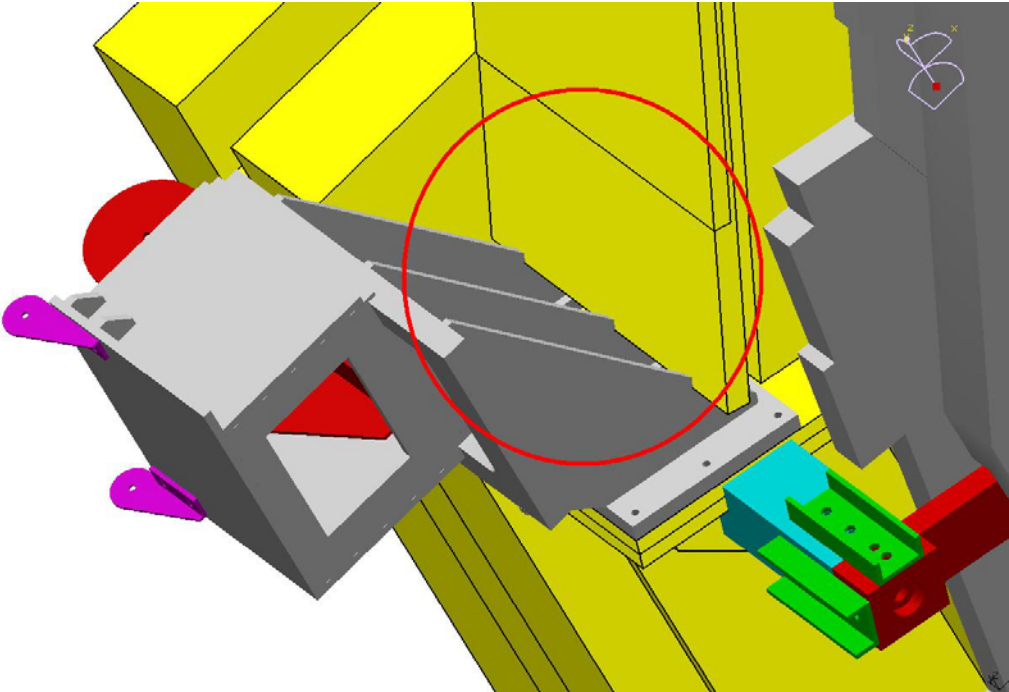


AT802345-Temporary_Model – Services to the Flexible Chains	ATCNMC_0018 MDT Chambers	CLASH	10.5 mm	Not inspected
--	--------------------------	-------	---------	---------------

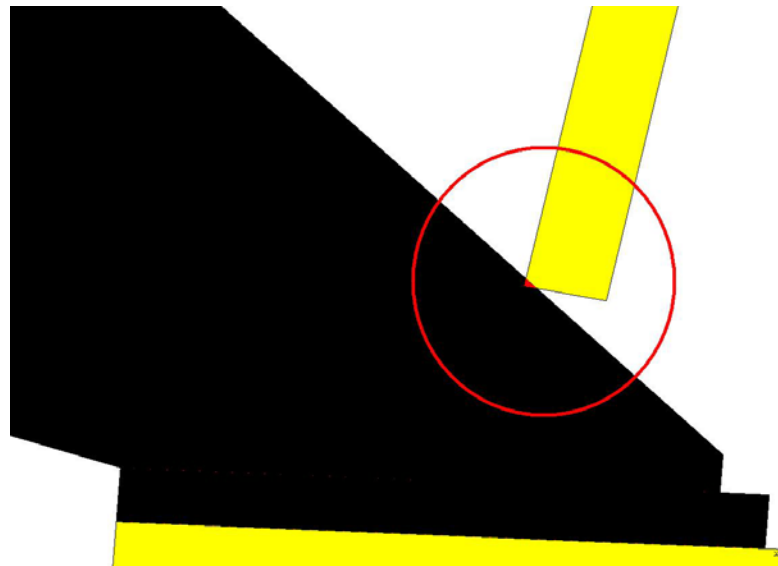
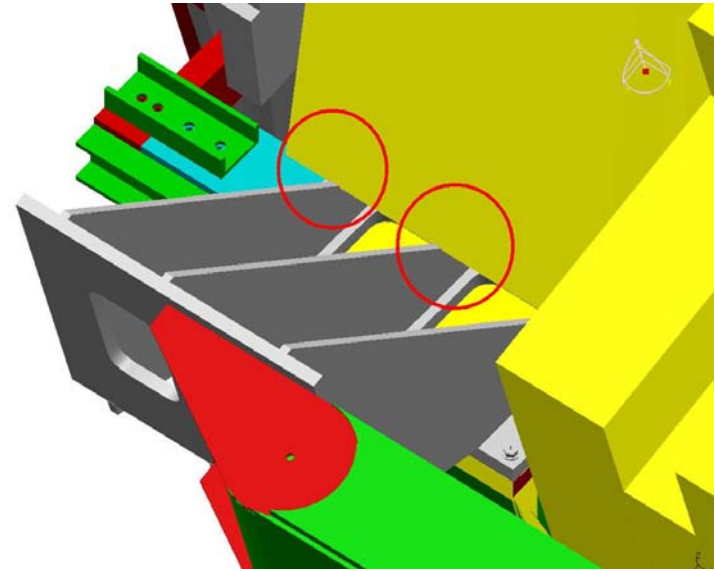
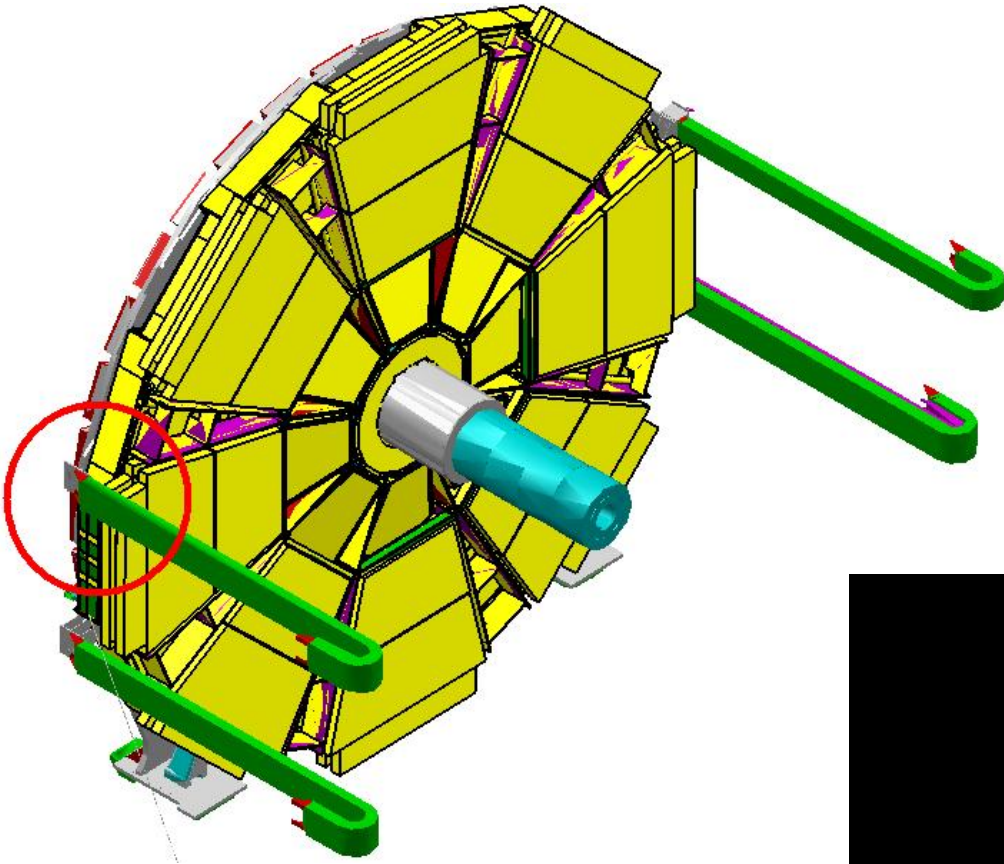


Side C, USA 15
Sector 10

Detailed Clash View



AT802345-Temporary_Model – Services to the Flexible Chains	ATCNMC_0018 MDT Chambers	CLASH	2.3 mm	Not inspected
--	--------------------------	-------	--------	---------------



Side C, US 15
Sector 2

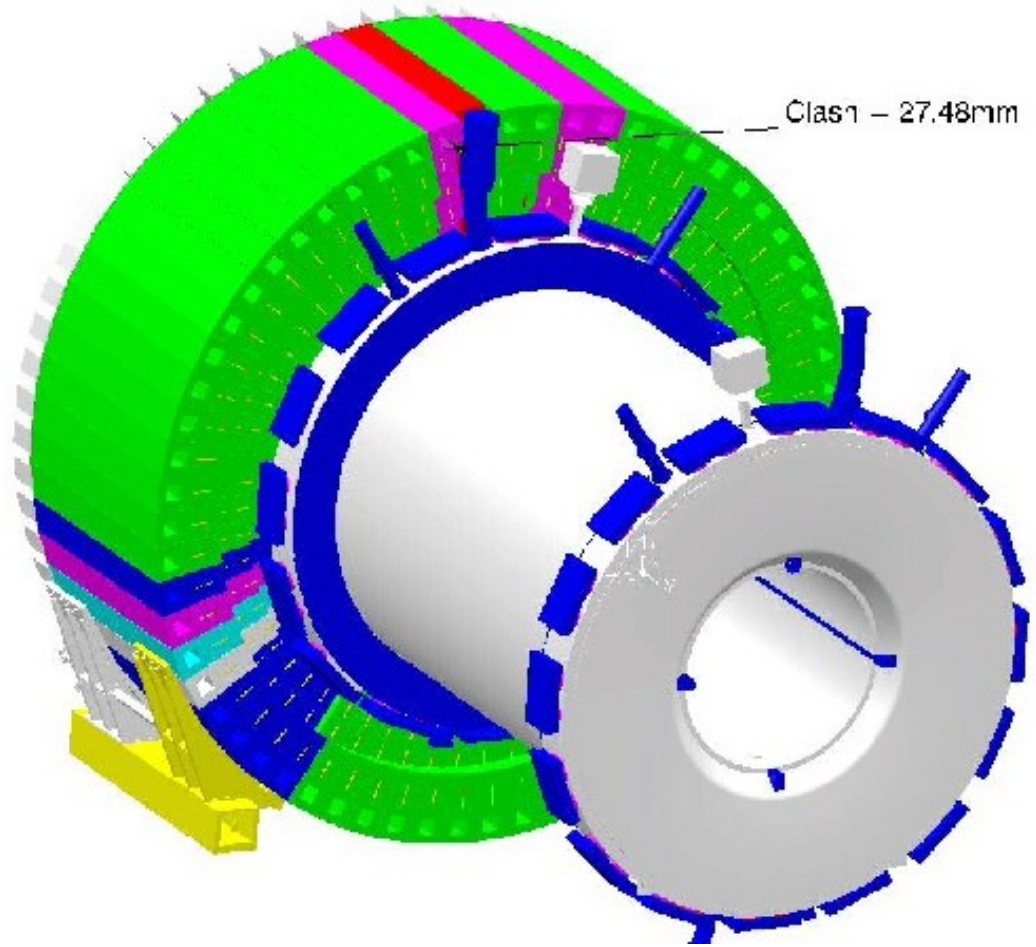


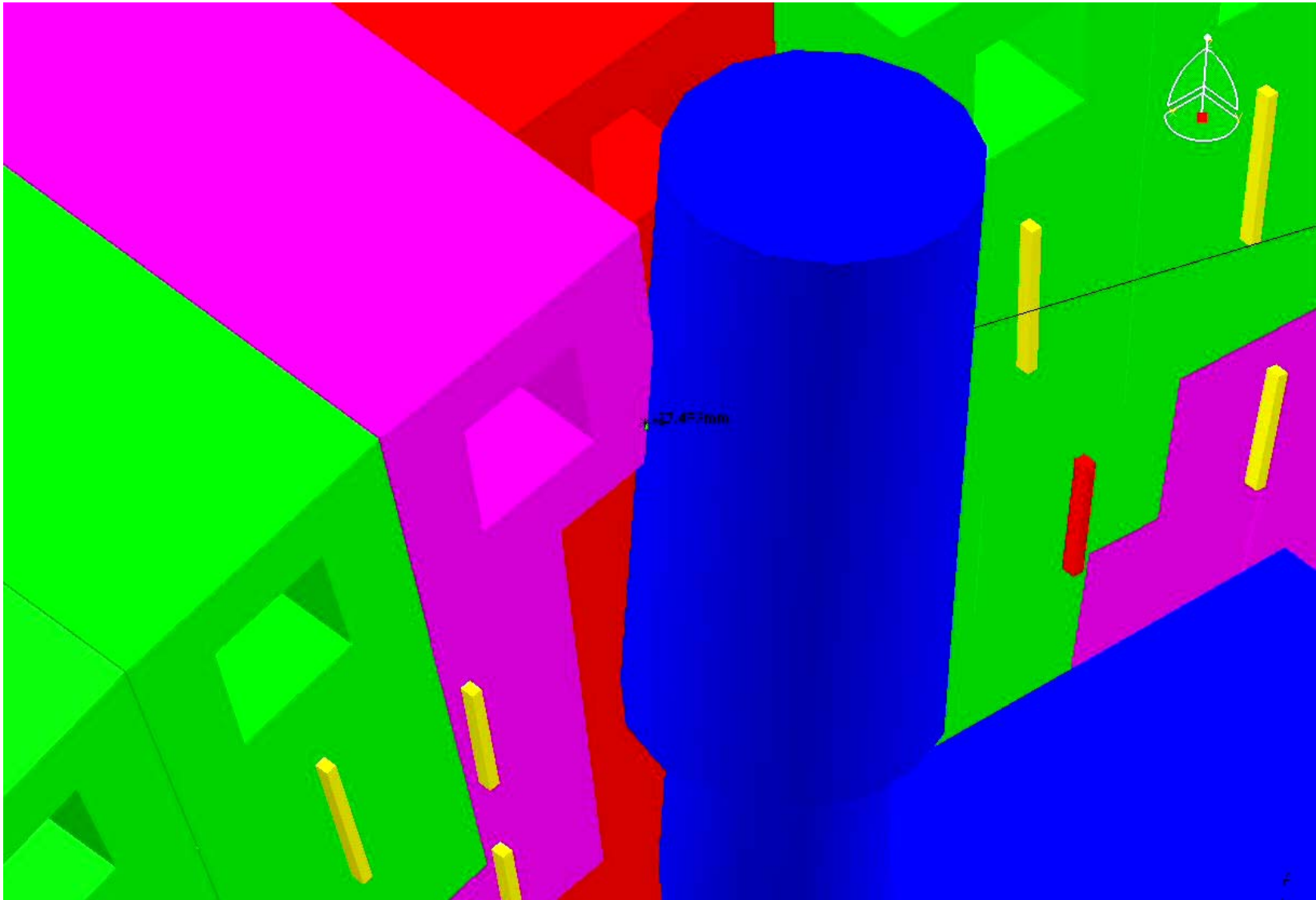
Clash Publish

Clash Computation Specification	
Products Selected	
ZAB__0001 (ZAB__0001.1) - Envelope of LArg Barrel Cryostat	NLE__0002 (NLE__0002.1) - LE END-CAP CALORIMETER - SIDE A

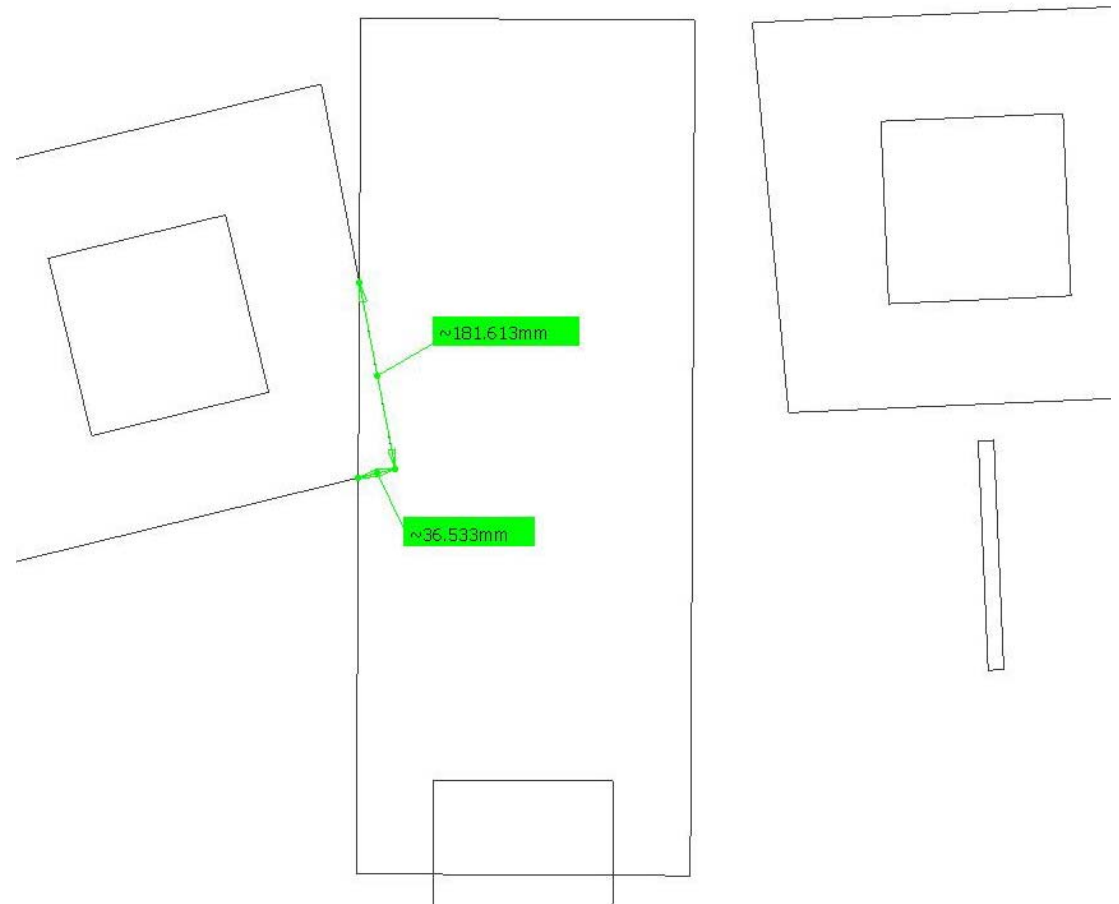
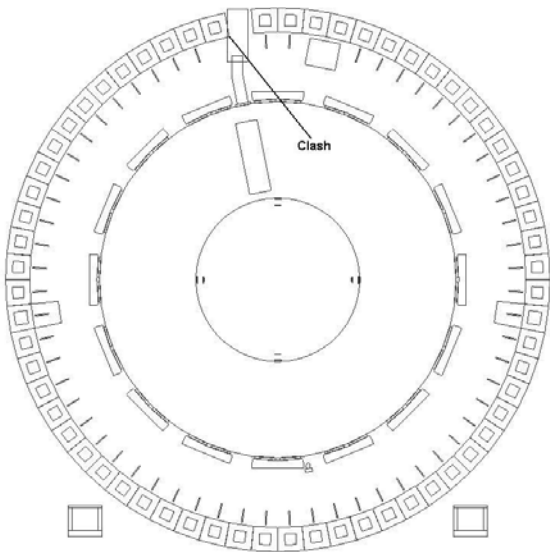
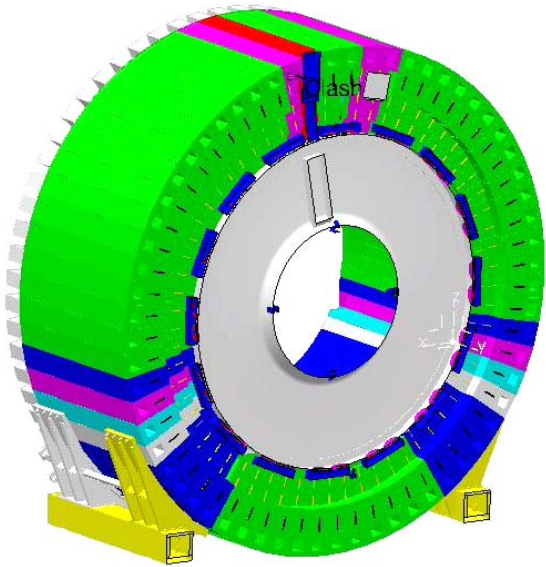
Computation Result:

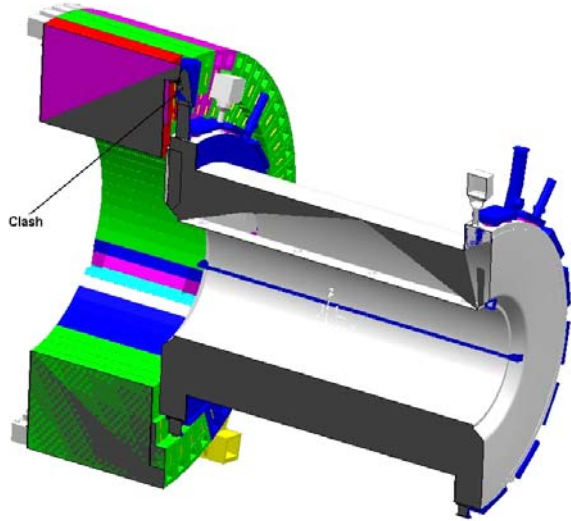
Interference resume					
Product 1	Product 2	Type	Value	Status	Clash Comment
ZAB__0001 (ZAB__0001.1)	NLE__0002 (NLE__0002.1)	Clash	-27.48 mm	Under Consideration	



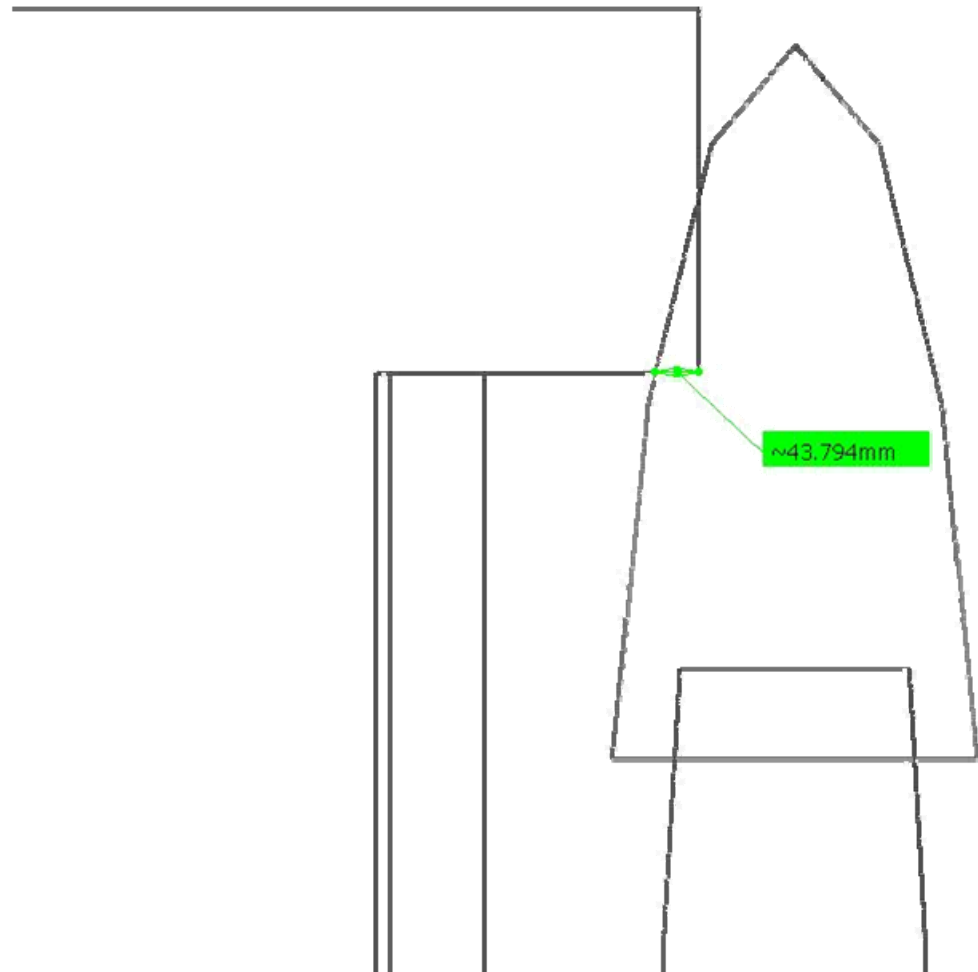
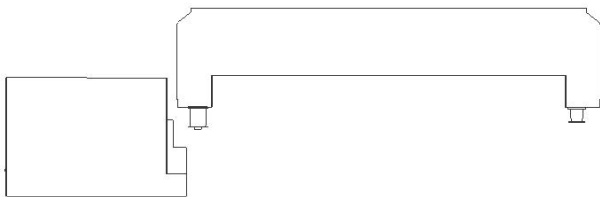
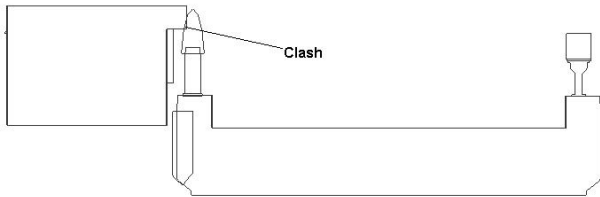


Clash View 1:

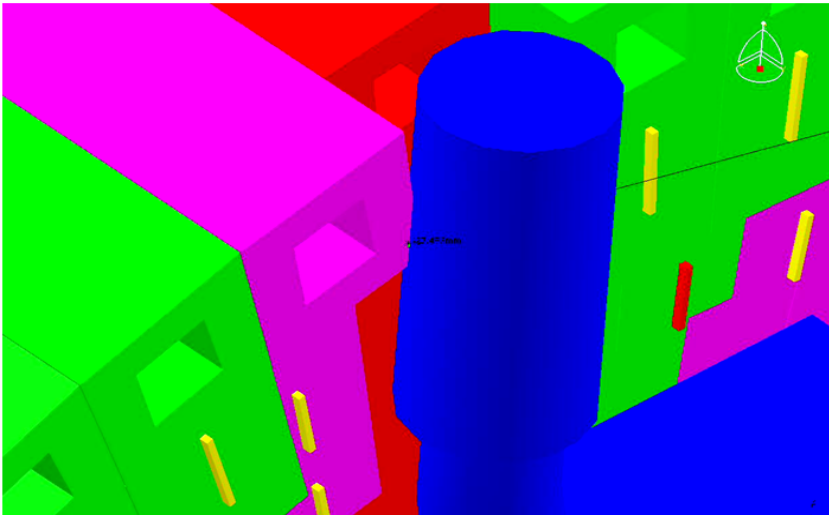




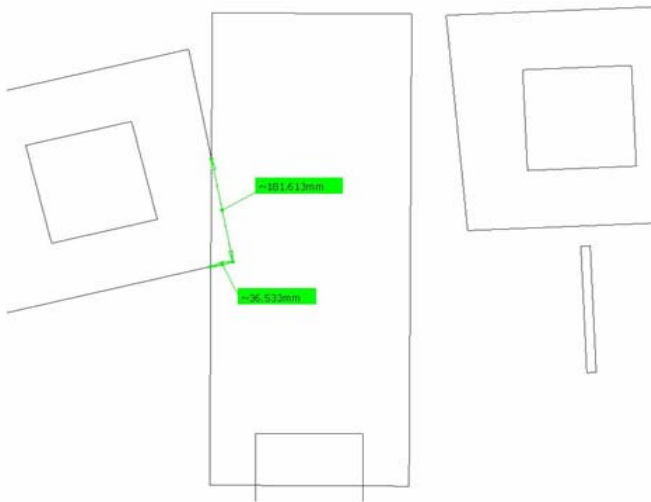
Clash View 2:



Electronics (Cont)



Person in charge: N.Topilin



Done on 17 May:

37 mm → 73 mm

44 mm → 75 mm

181 mm → 220 mm