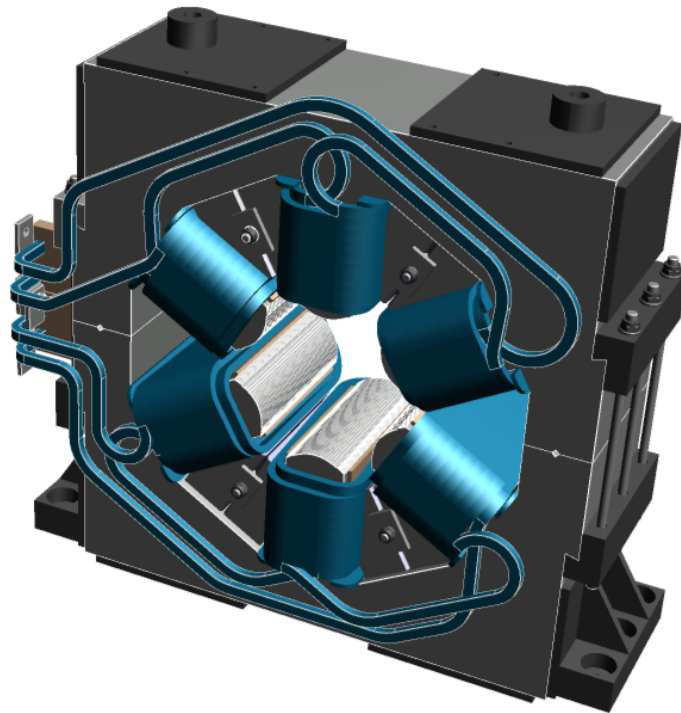
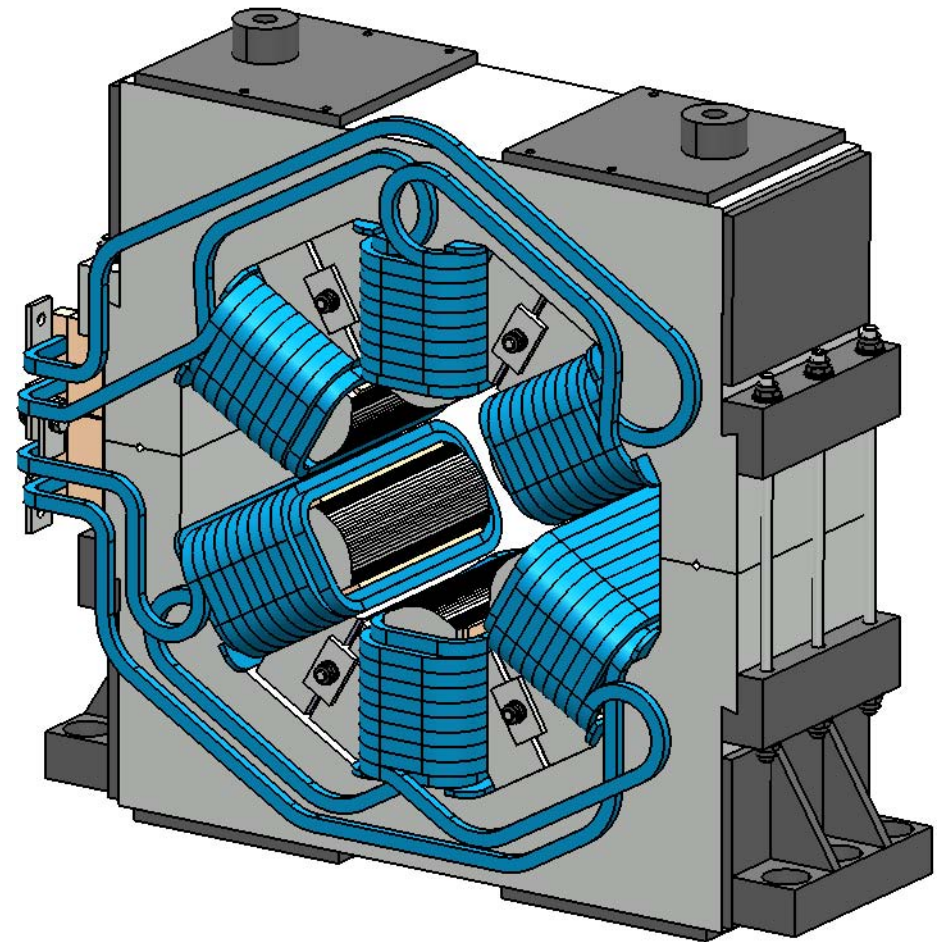
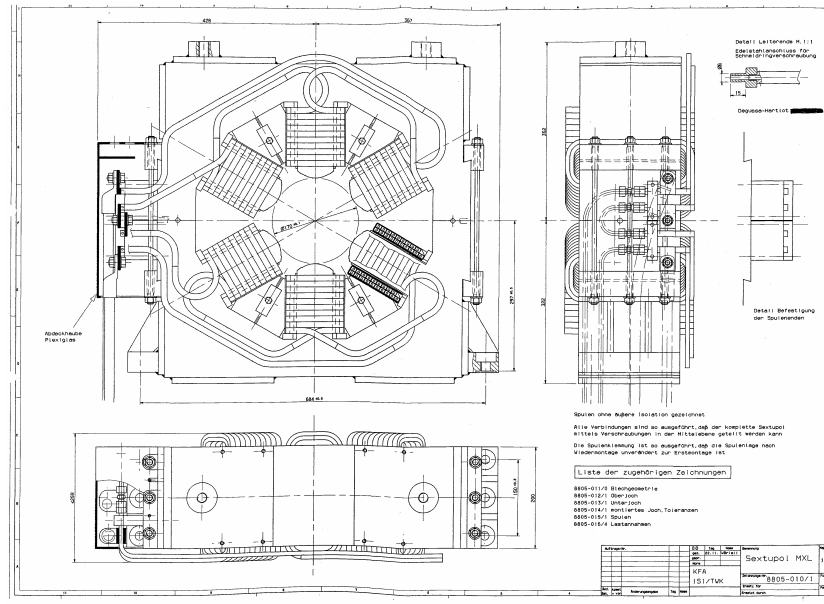


SEXTUPOLE MXL

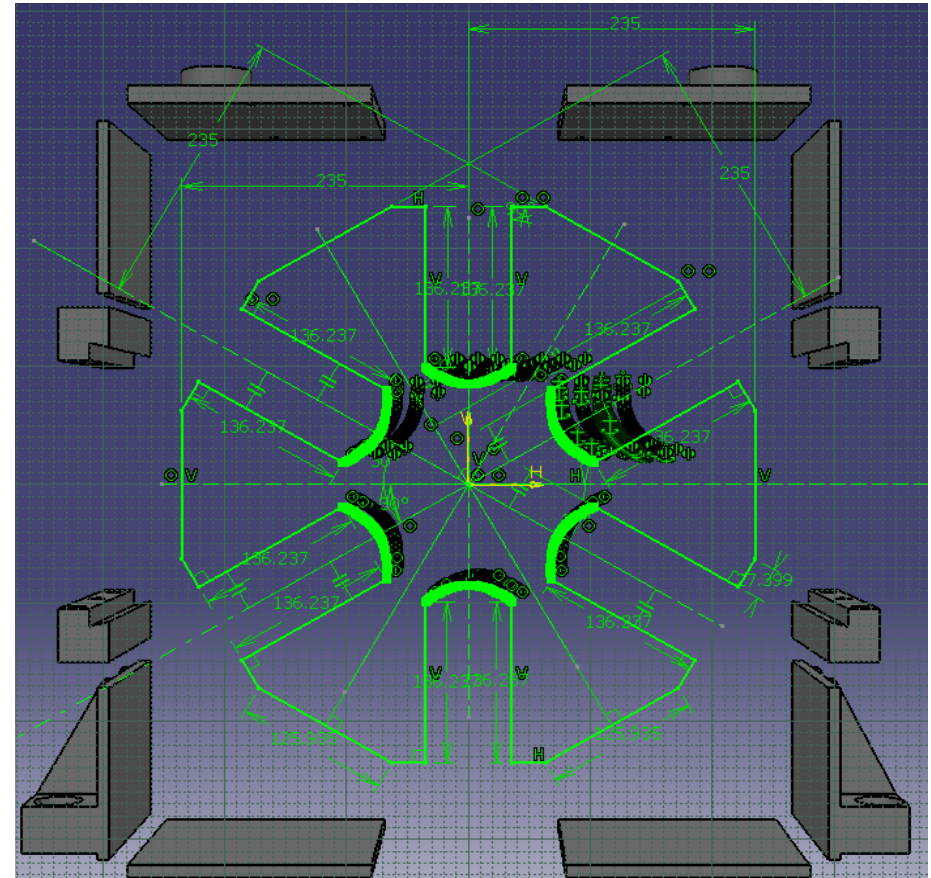
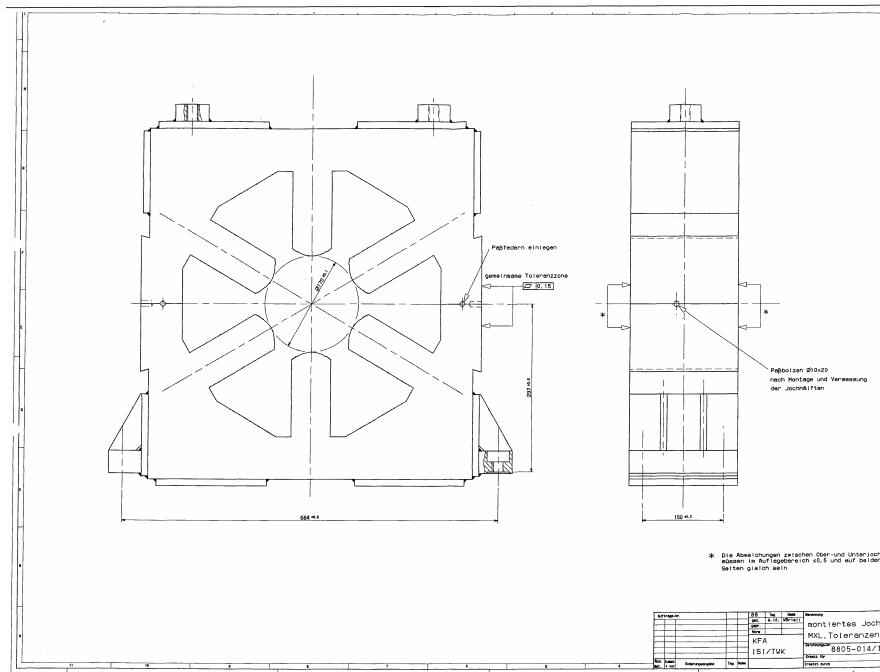


Design Integration in CATIA done by
Georgian CAD/CAM Engineering Center
www.cadcam.ge

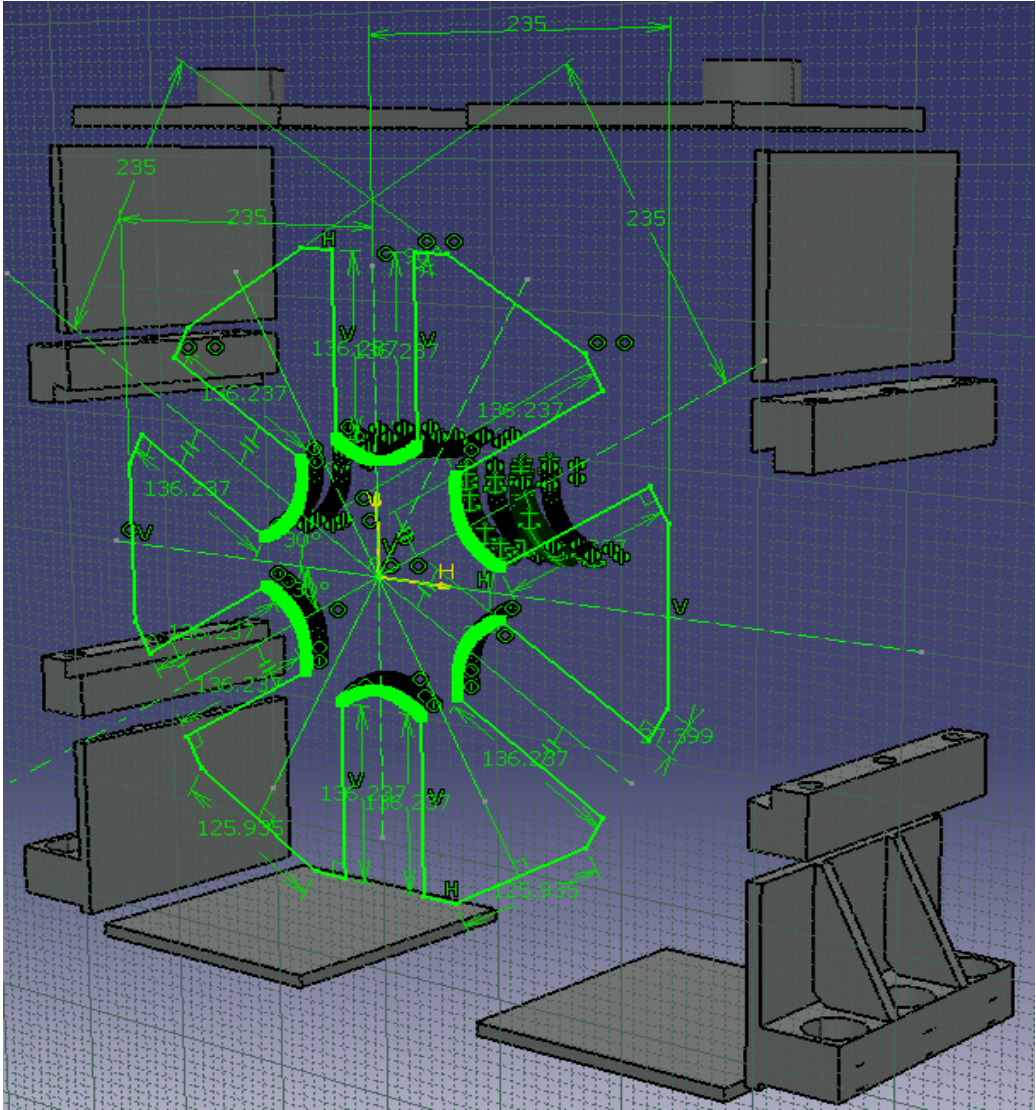
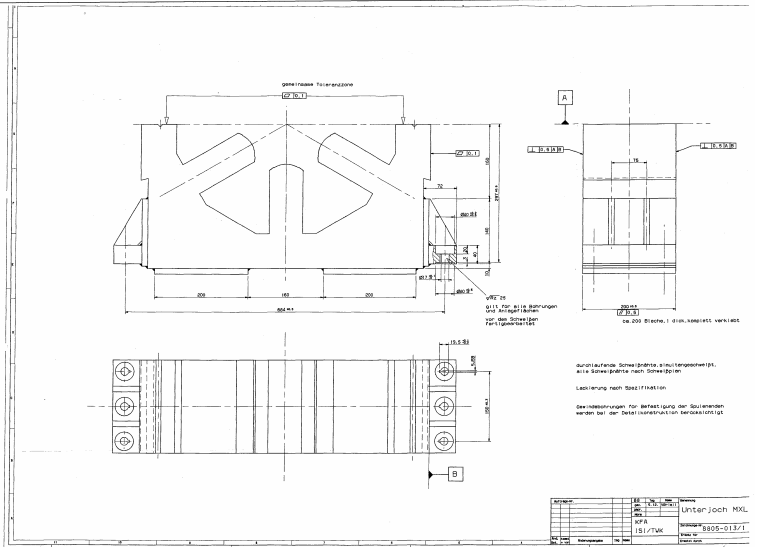
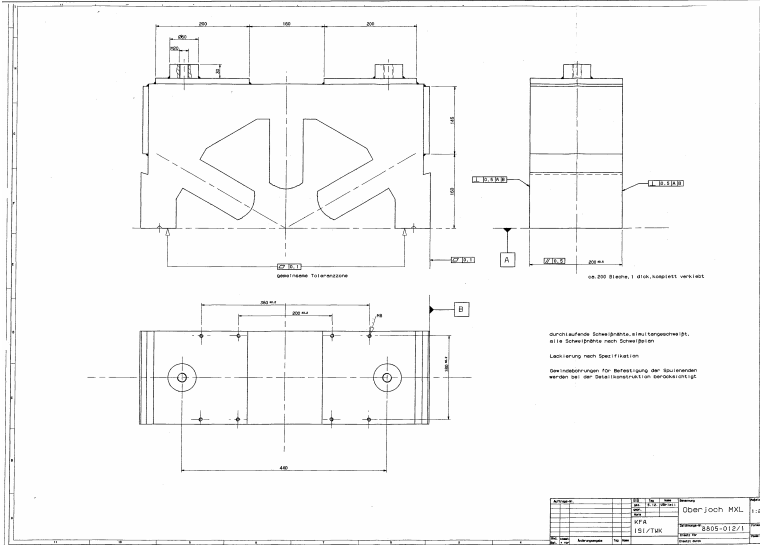
General View



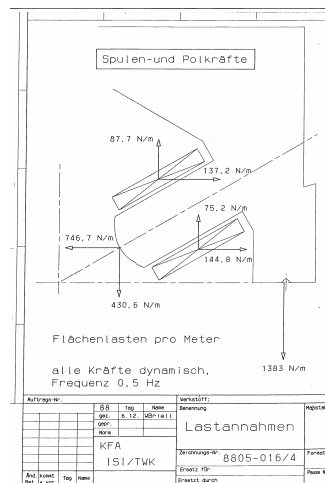
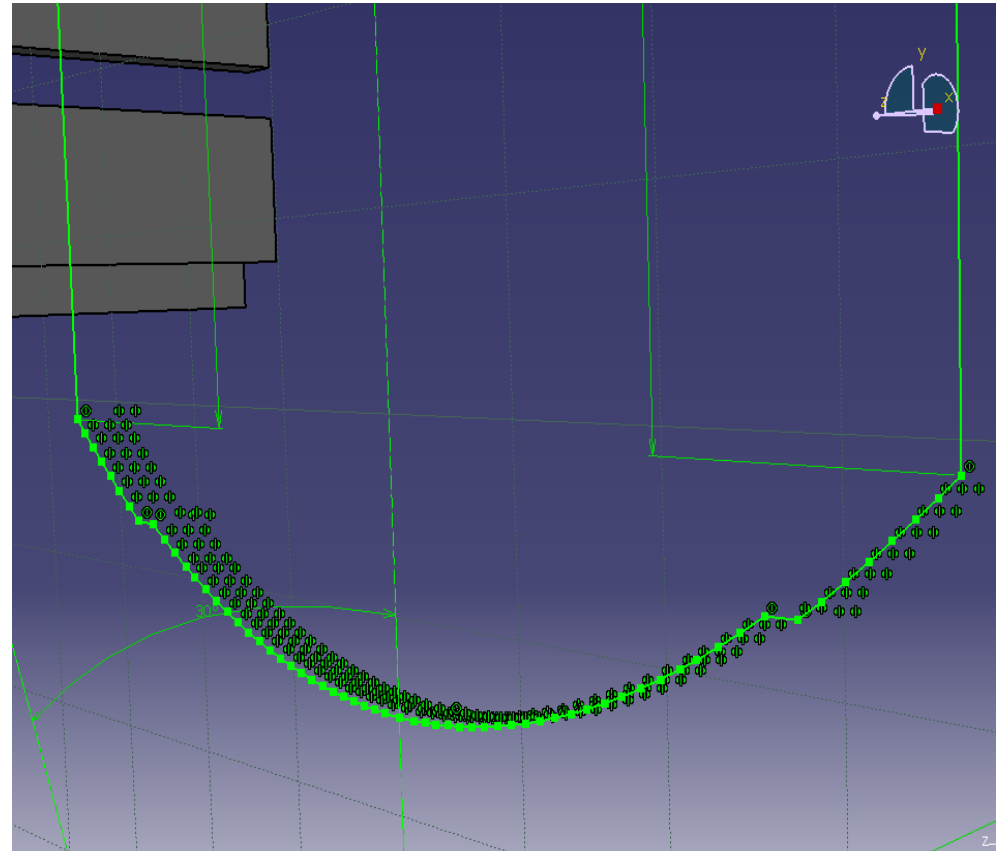
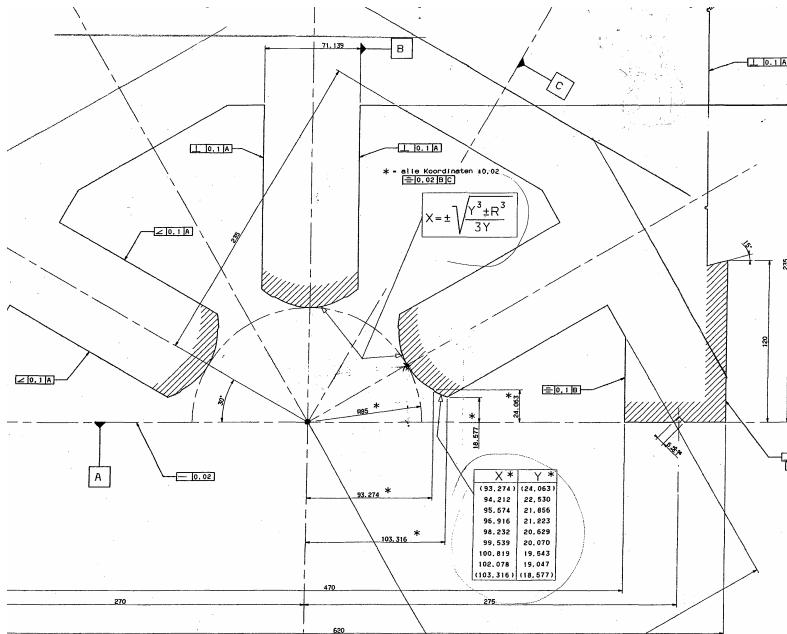
Main Fram



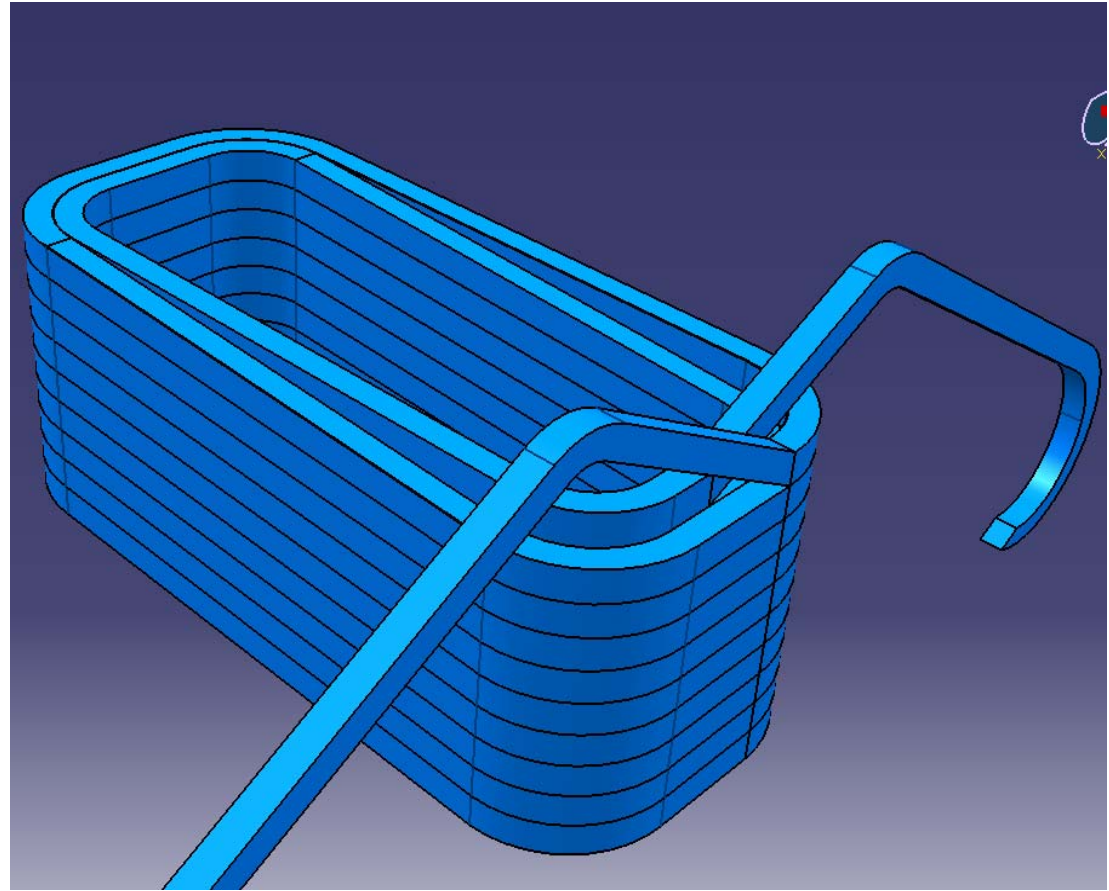
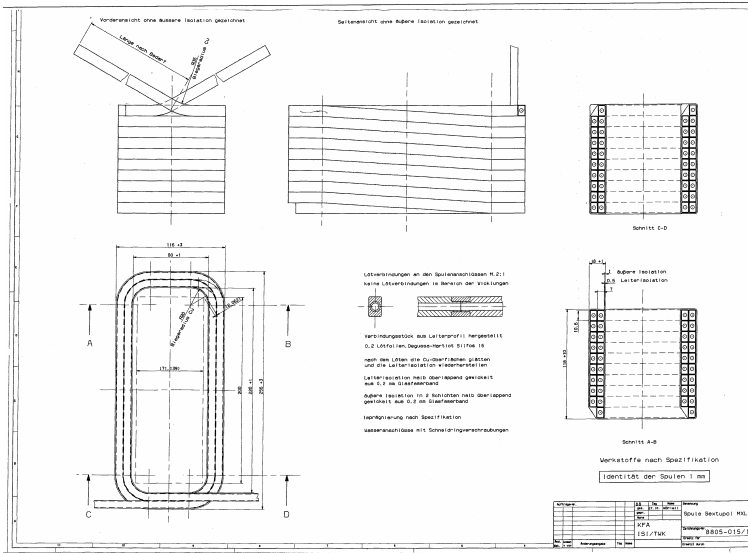
Main Fraim



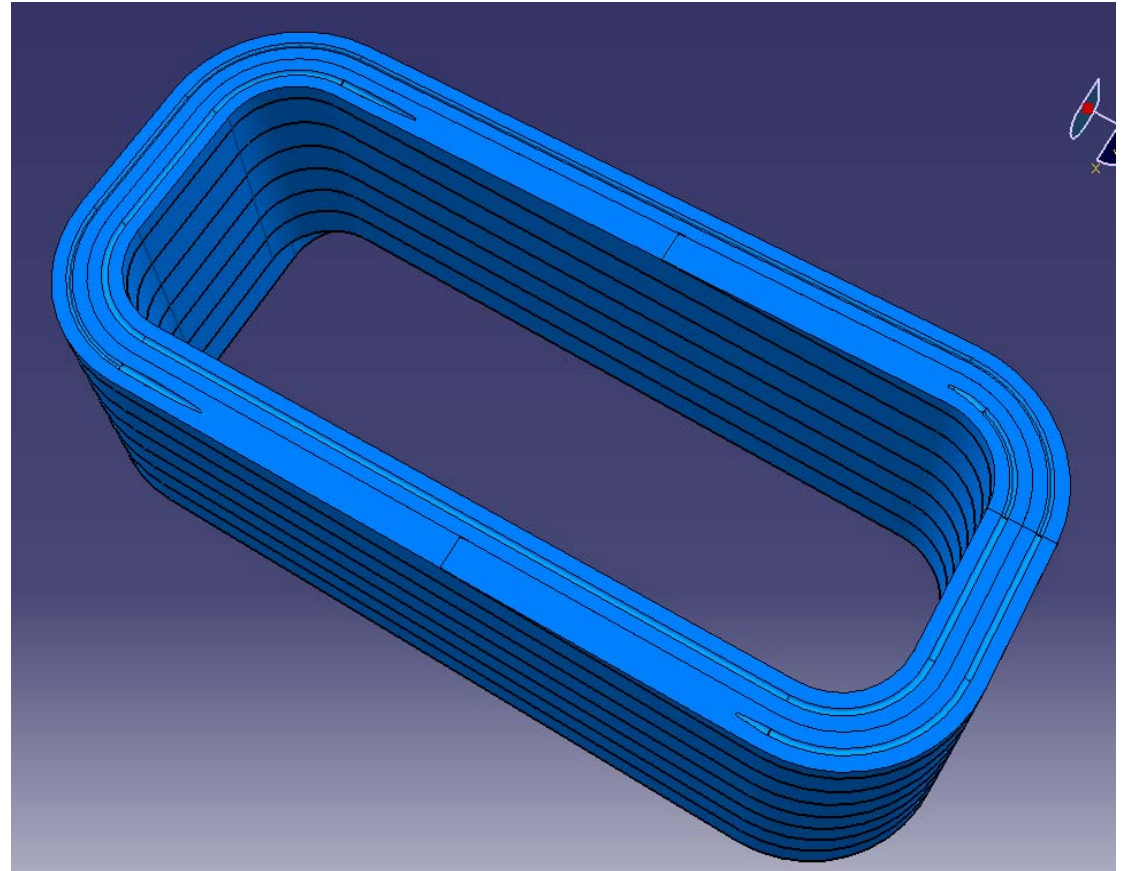
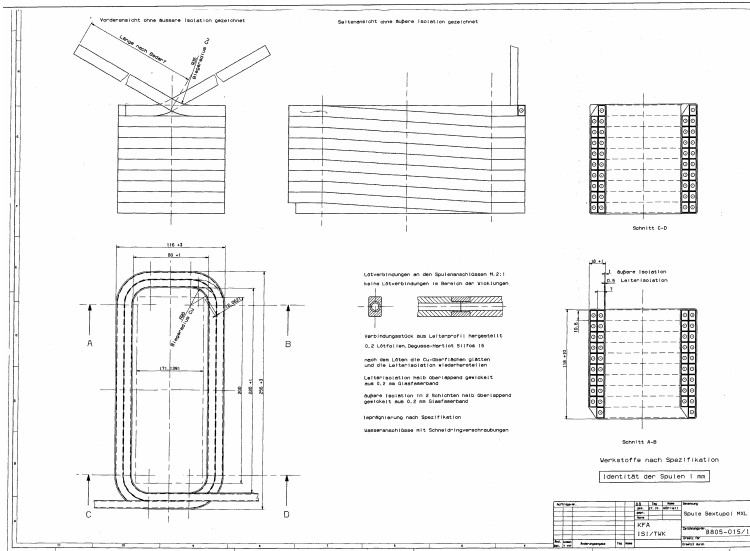
Approximation of Surface



Coils with Hole for Water Cooling



Coils with Hole for Water Cooling



Coils with Hole for Water Cooling

