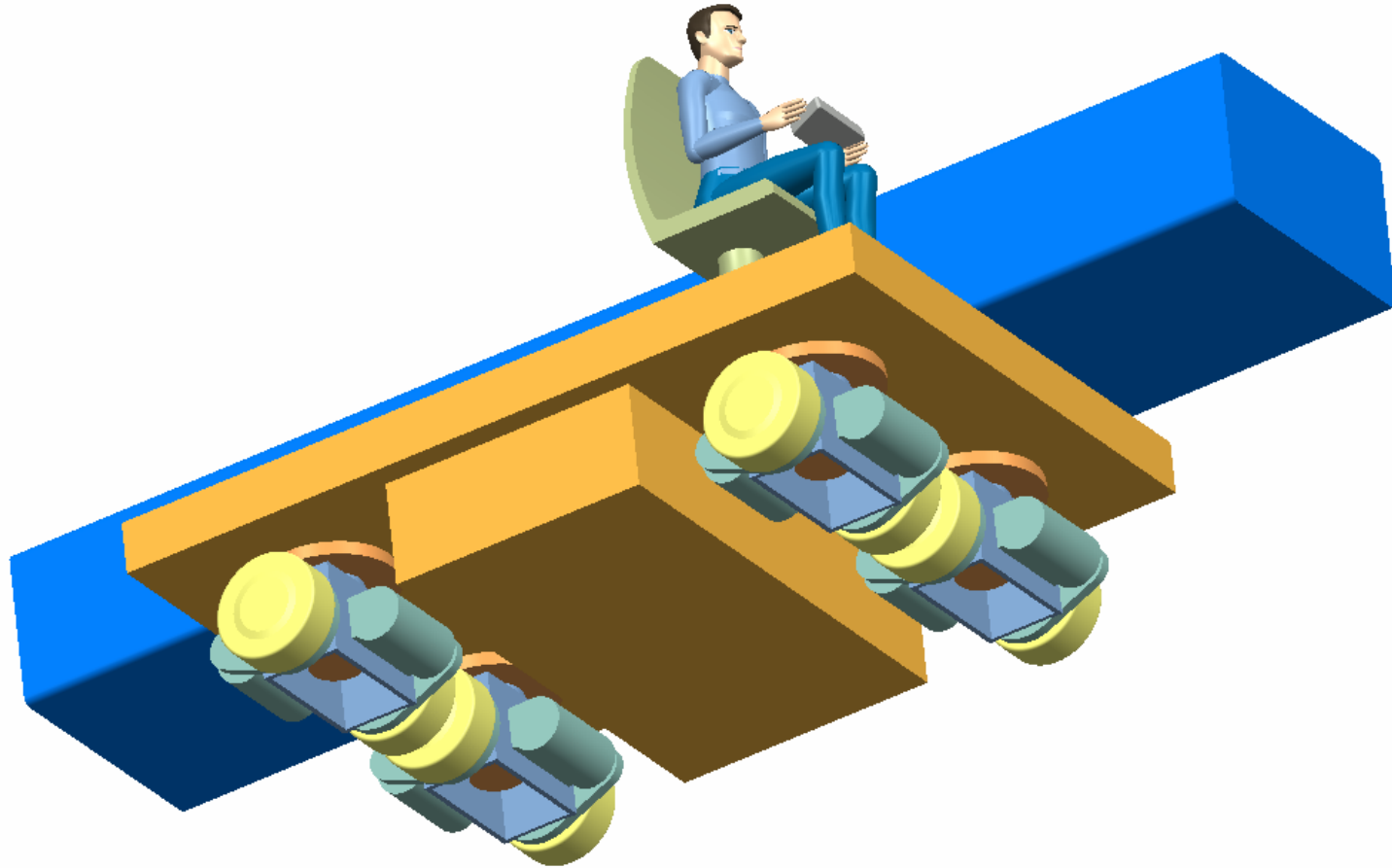
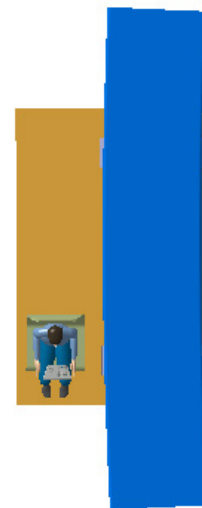
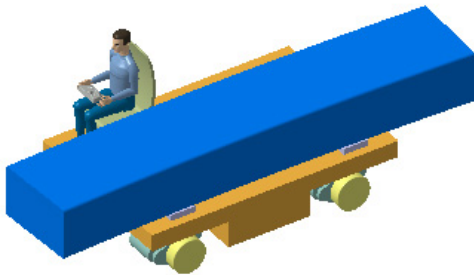
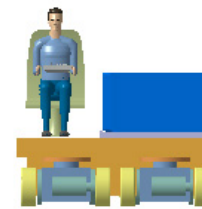


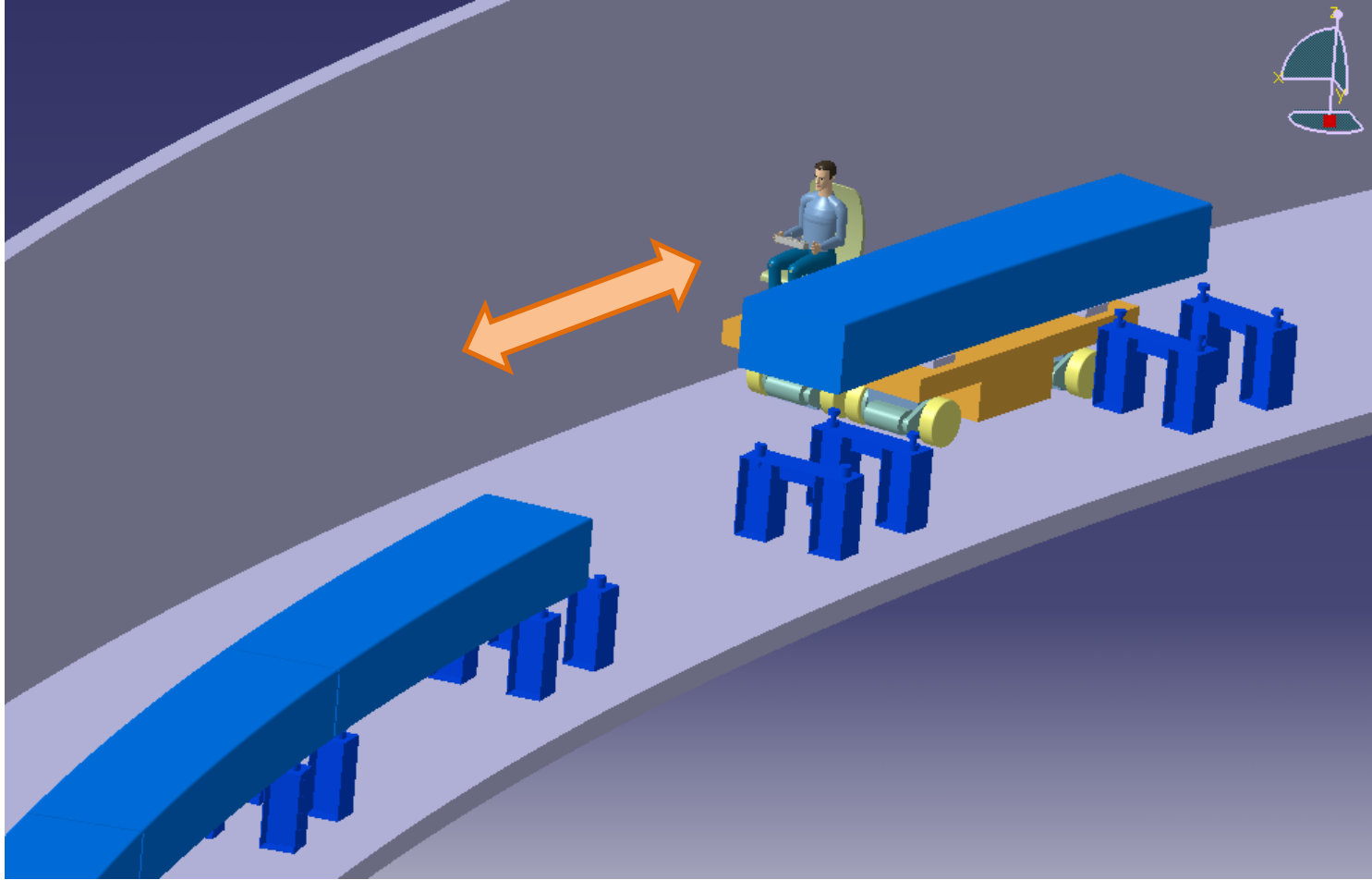
# HESR Transport System

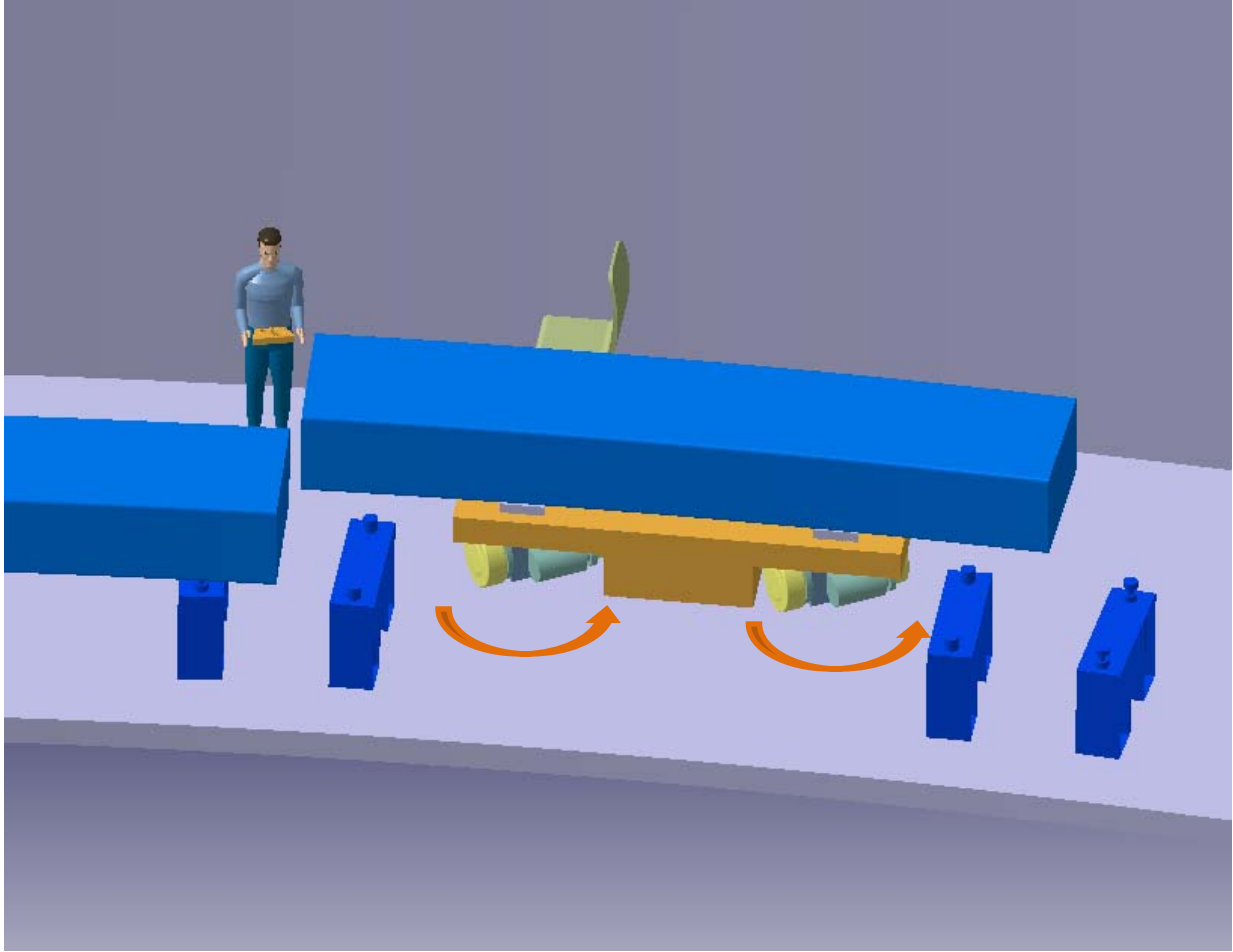


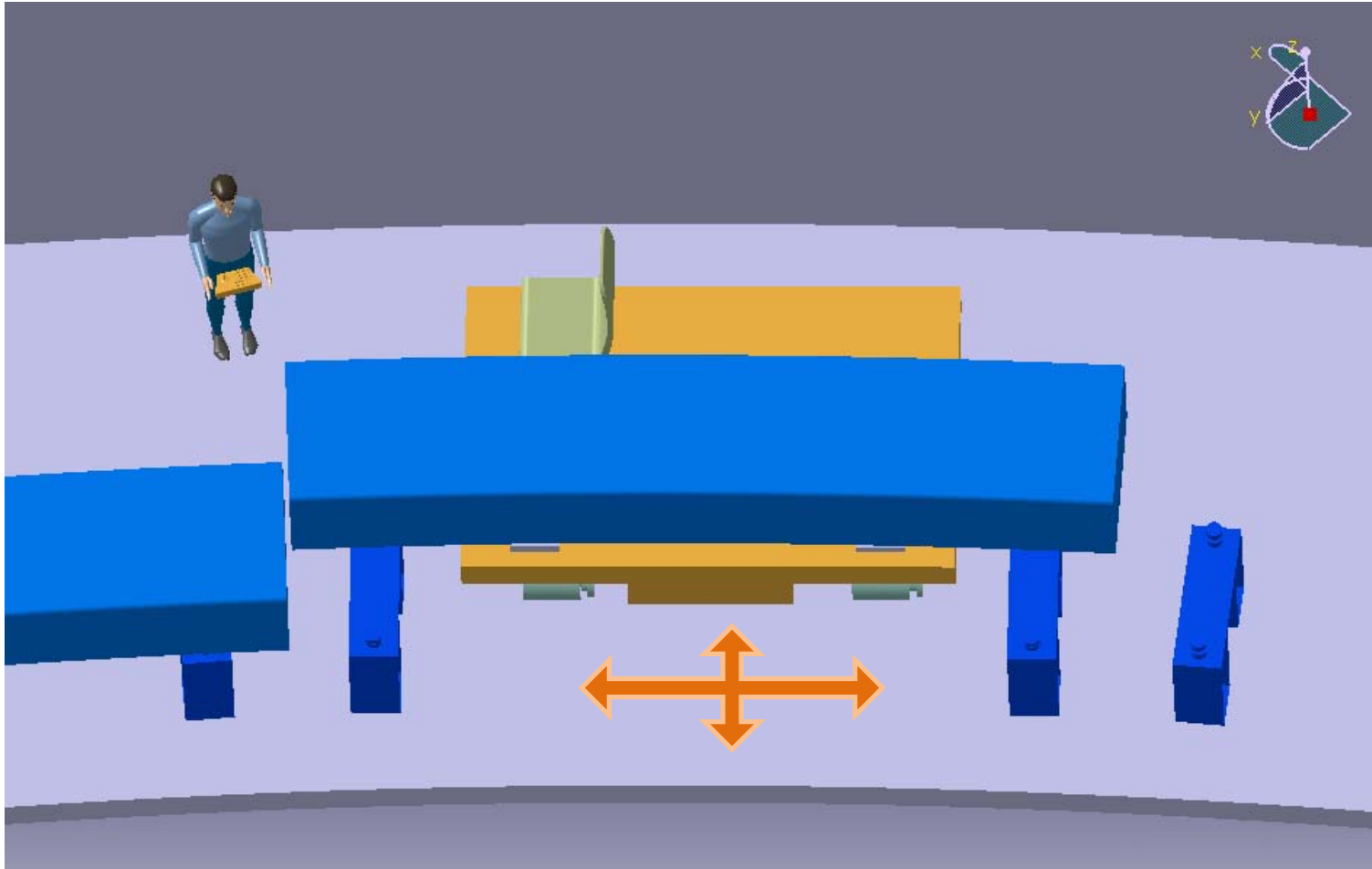
Conceptual design done by  
Georgian CAD/CAM Engineering Center  
[www.cadcam.ge](http://www.cadcam.ge)

# Transport System

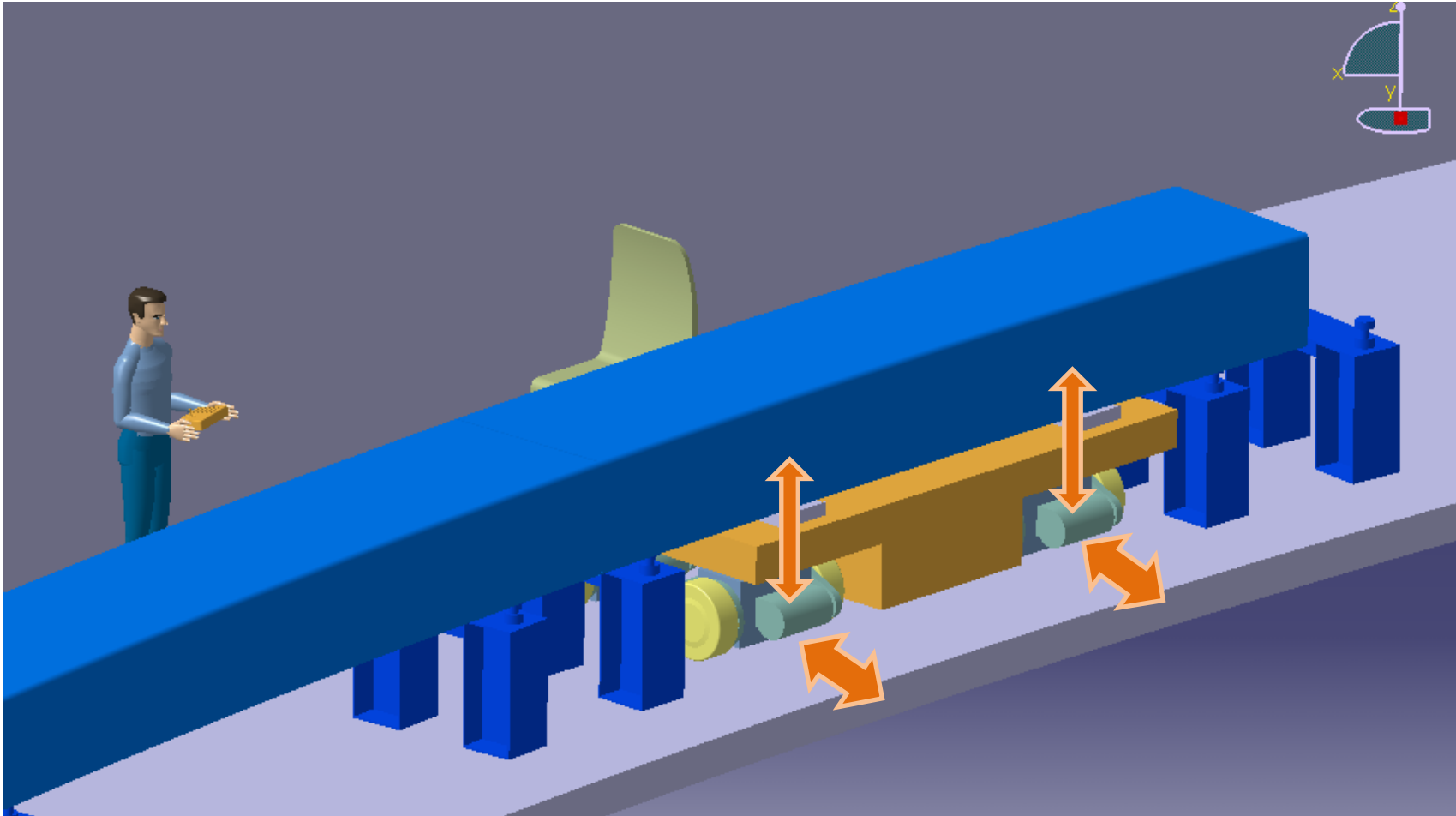








# Position control



# Fixation

