

Clash Publish



Clash Computation Specification			
Products Selected		Value	Status
NSR__0019 - CABLE TRAYS SUPPORT - UX - US SIDE - SECTOR 3	NFH__0011 - HS METALLIC STRUCTURE - SIDE US15 - LOWER PART	-15 mm	Not inspected
	NFH__0013 - HS METALLIC STRUCTURE - SIDE US15 - LEVEL +2,77M EXTENSION	-79.9 mm	Not inspected

Computation Result:

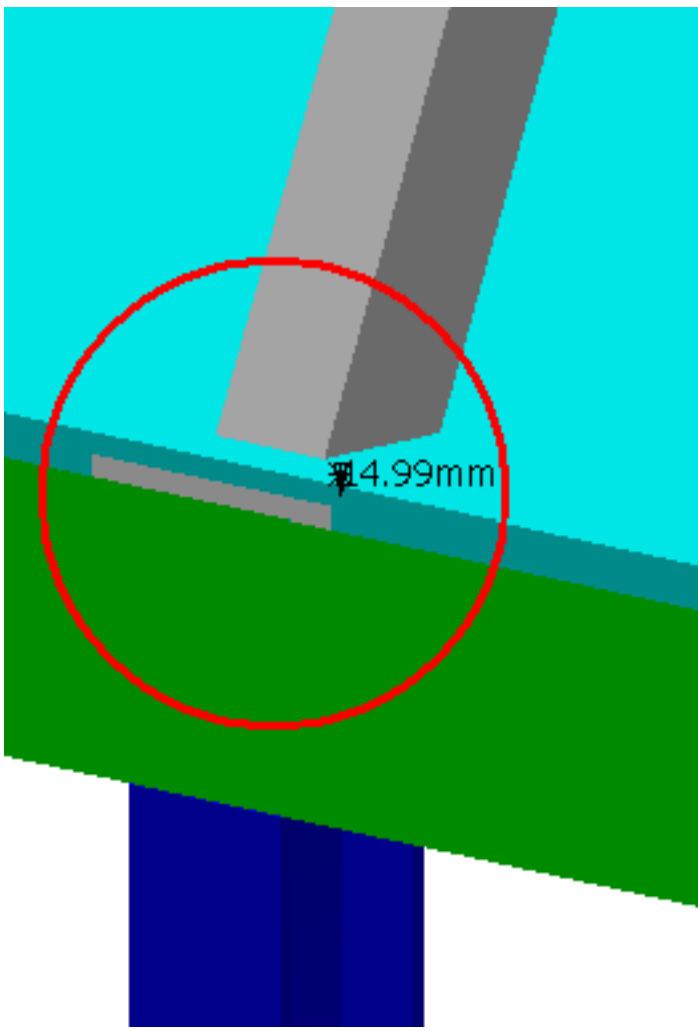
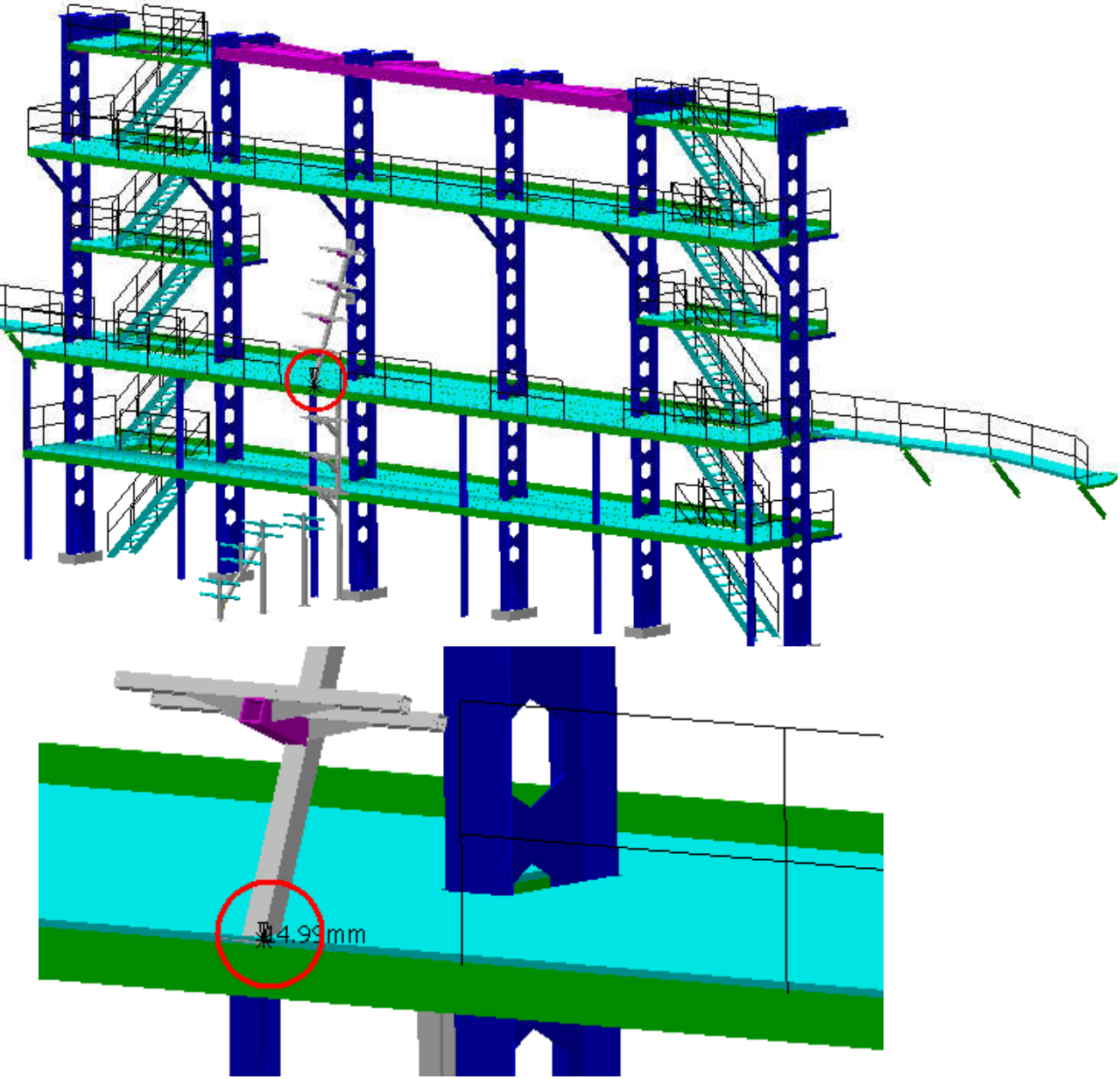
NSR_0019 - CABLE TRAYS SUPPORT - UX
- US SIDE - SECTOR 3

NFH_0011 - HS METALLIC STRUCTURE - SIDE
US15 - LOWER PART

Clash

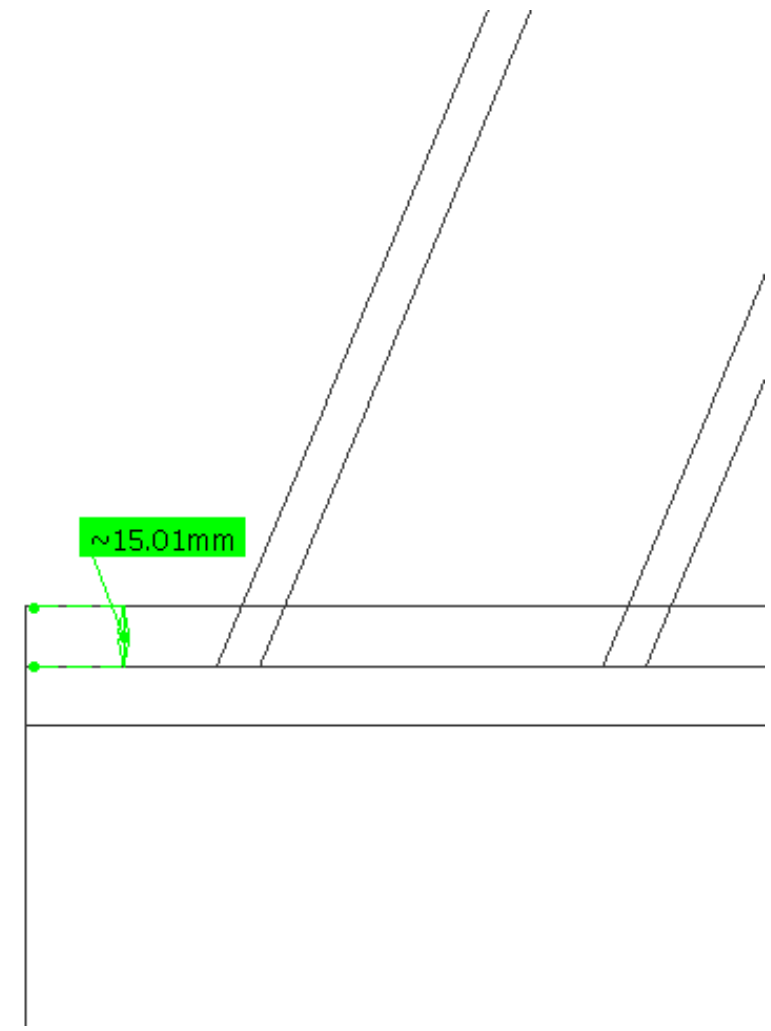
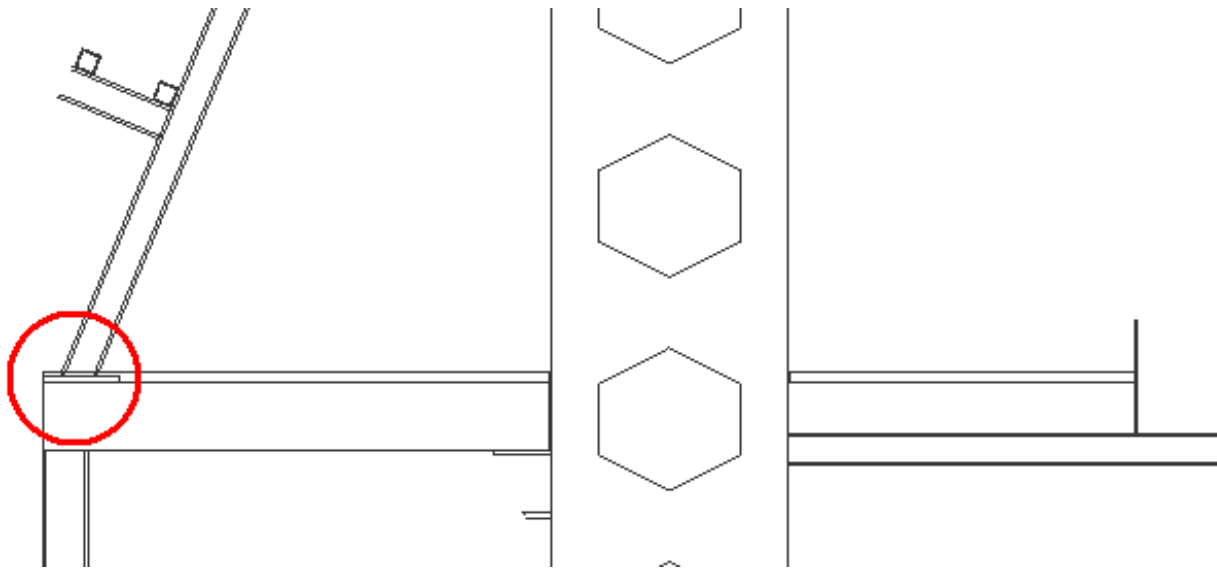
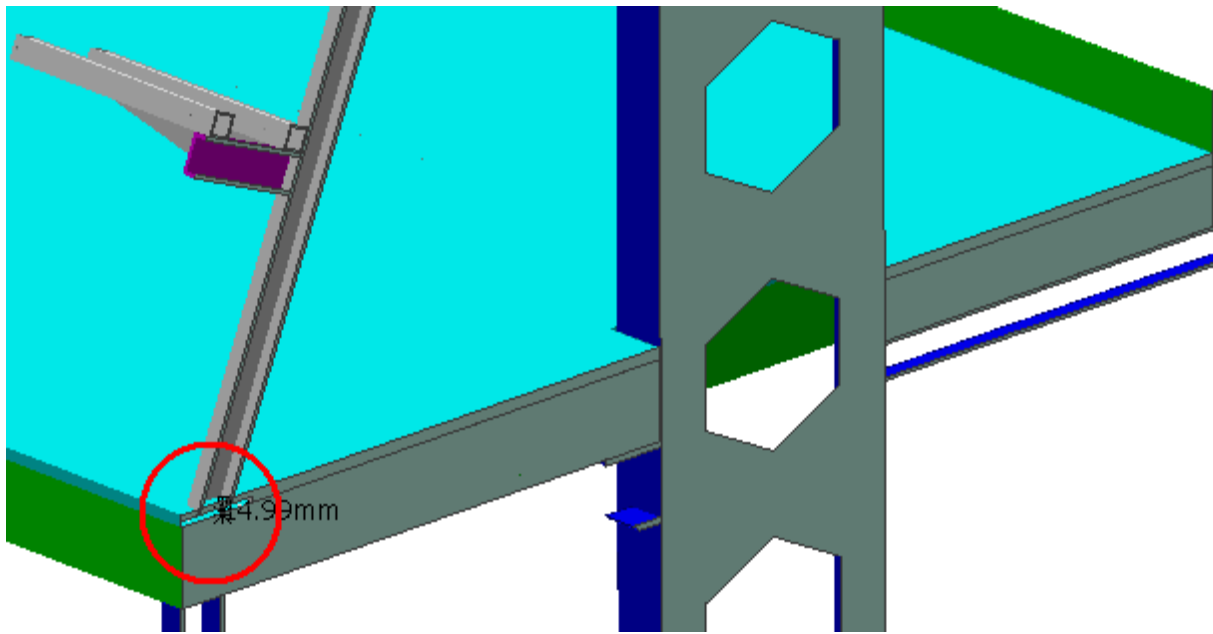
-15 mm

Not inspected



Clash value: ~ 15 mm
SIDE C
Sector 15

Clash View:



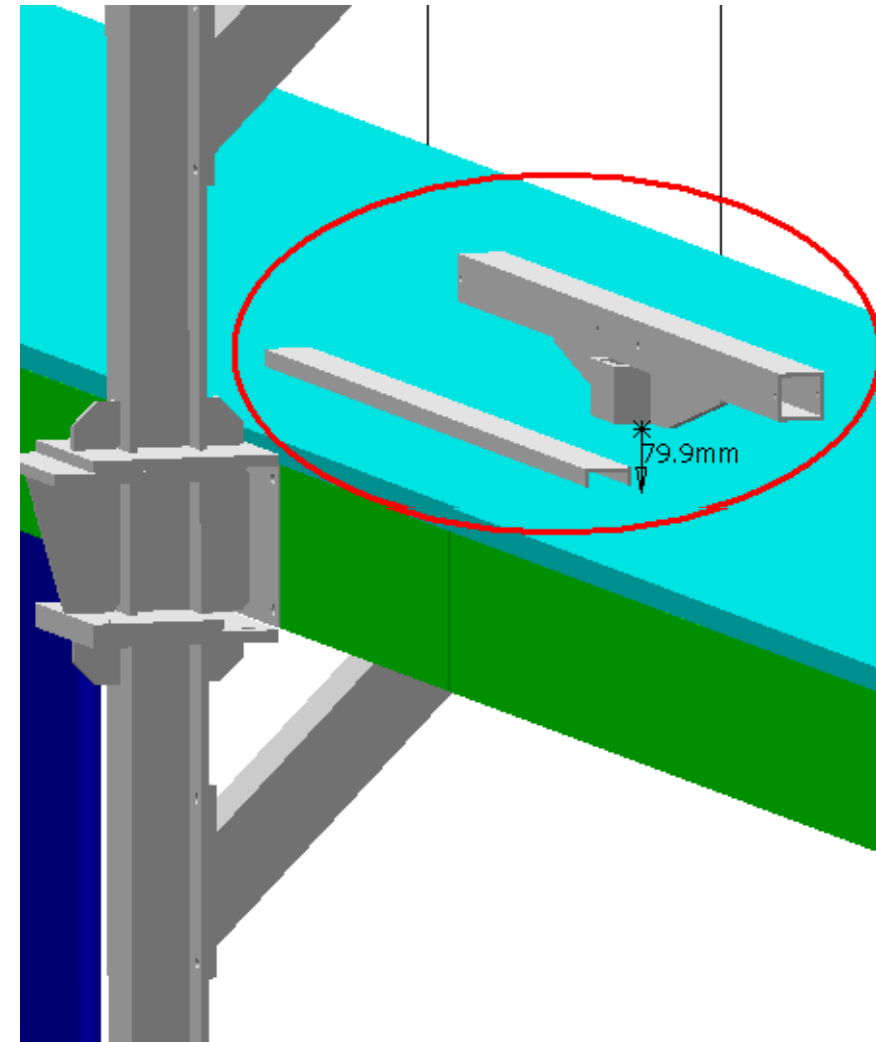
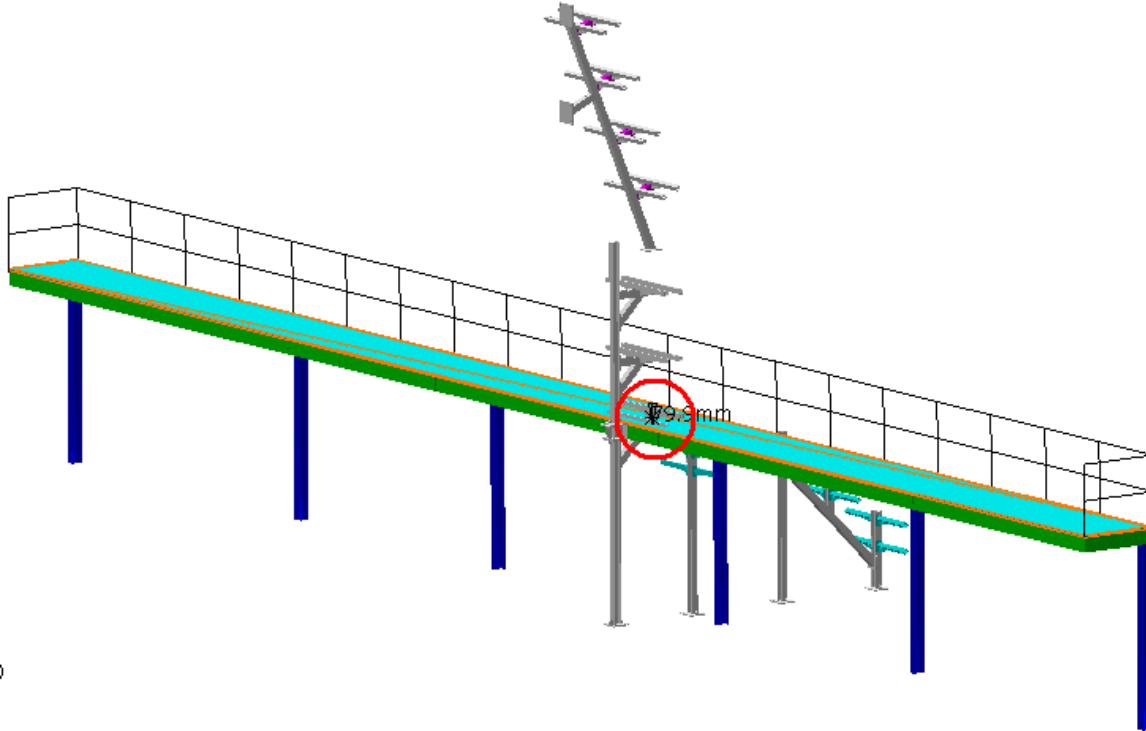
NSR_0019 - CABLE TRAYS SUPPORT -
UX - US SIDE - SECTOR 3

NFH_0013 - HS METALLIC STRUCTURE - SIDE
US15 - LEVEL +2,77M EXTENSION

Clash

-79.9 mm

Not inspected



Clash value: ~ 79.9 mm

SIDE C

Sector 15

Clash View:

