

Clash Publish



Clash Computation Specification			
Products Selected			
ATCNSR_0018 CABLE TRAYS SUPPORT - UX - US SIDE - SECTOR 2	ATCNFH_0011 HS METALLIC STRUCTURE - SIDE US15 - LOWER PART	-14.99	Not inspected
	ATCNFH_0013 HS METALLIC STRUCTURE - SIDE US15 - LEVEL +2,77M EXTENSION	-79.9	Not inspected

Computation Result:

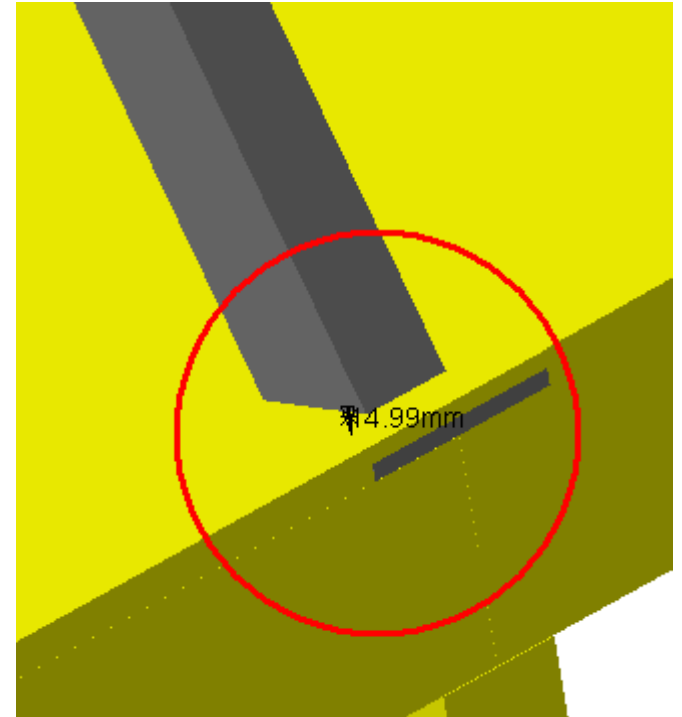
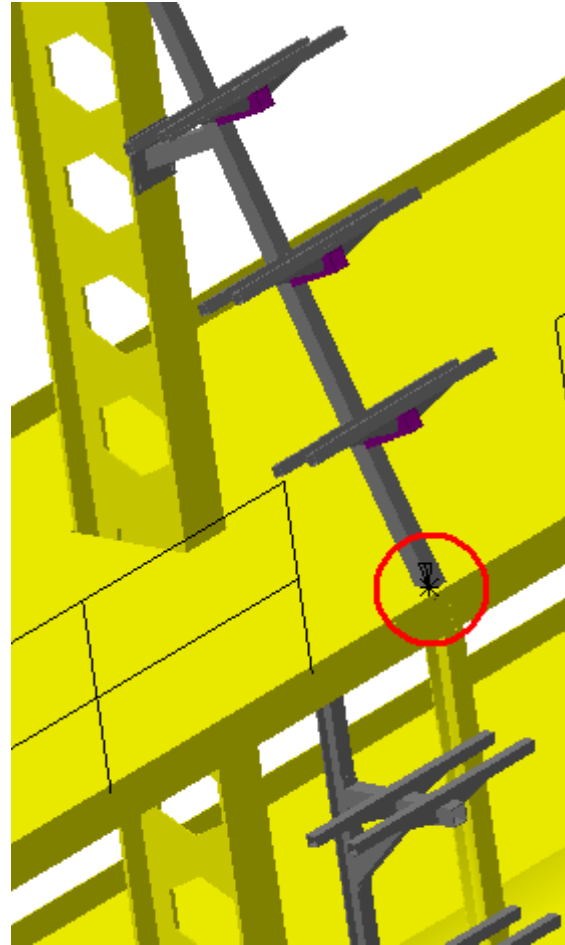
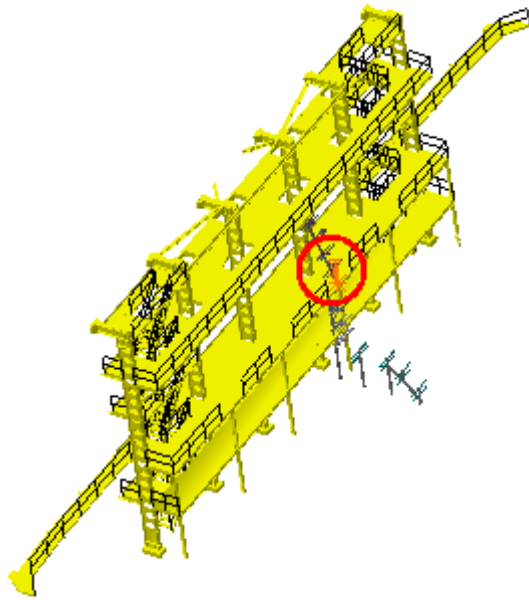
ATCNSR_0018 CABLE TRAYS SUPPORT -
UX - US SIDE - SECTOR 2

ATCNFH_0011 HS METALLIC STRUCTURE - SIDE
US15 - LOWER PART

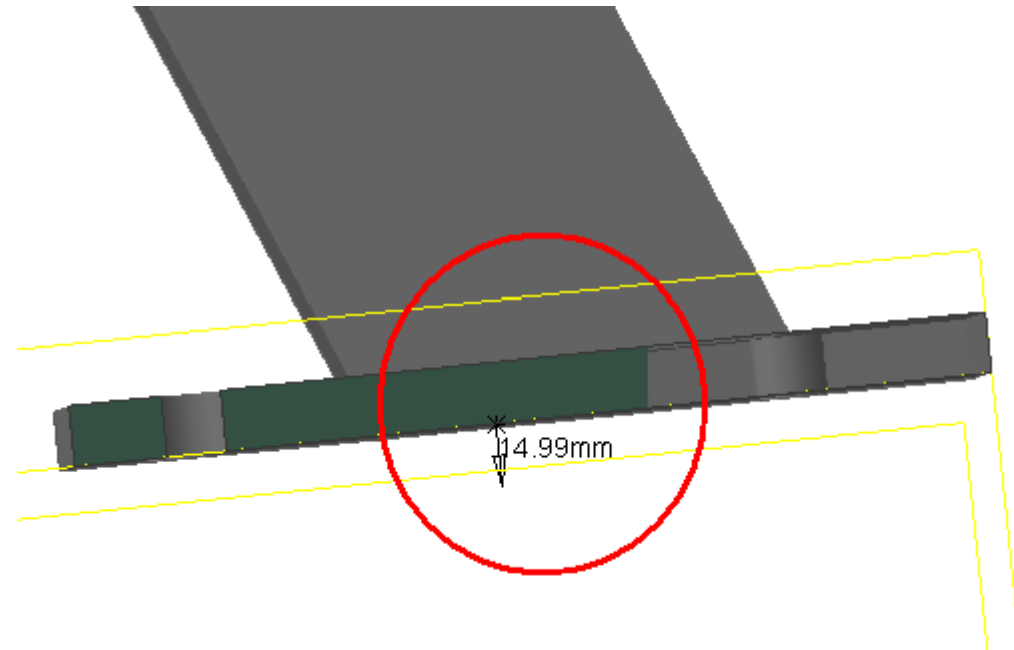
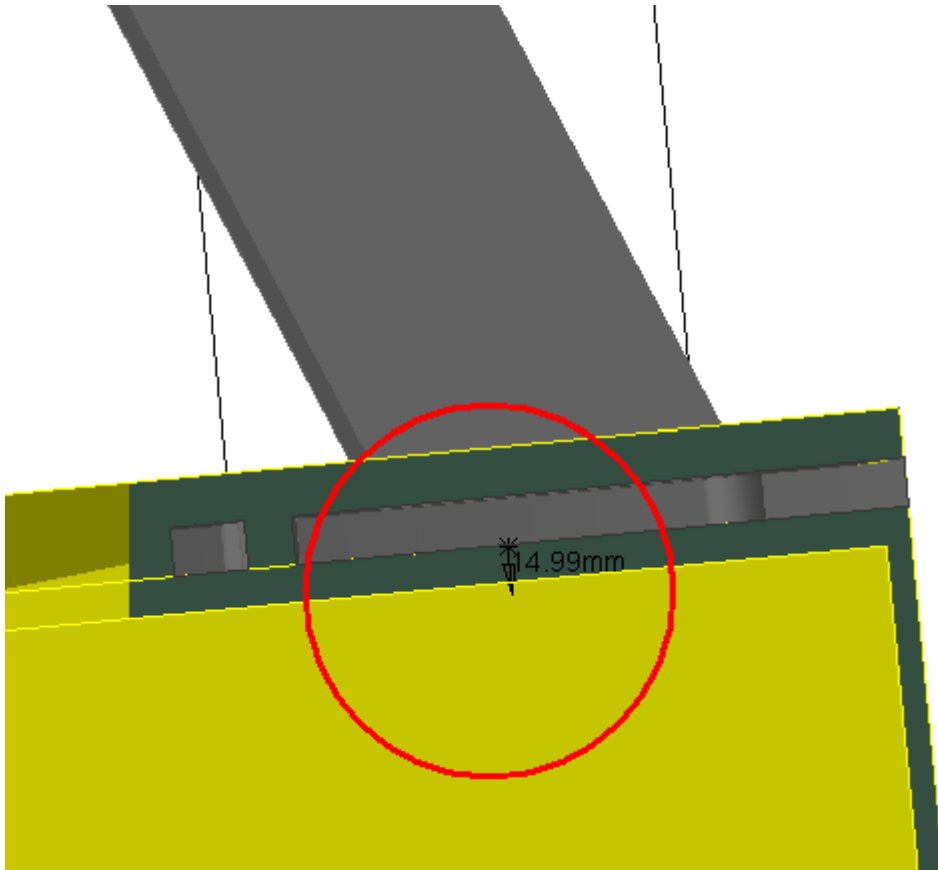
Clash

-14.99mm

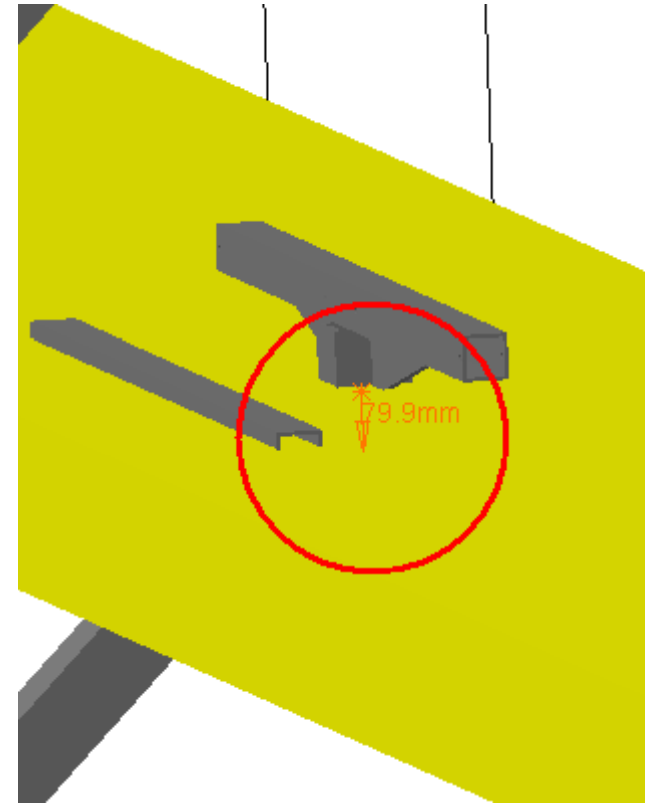
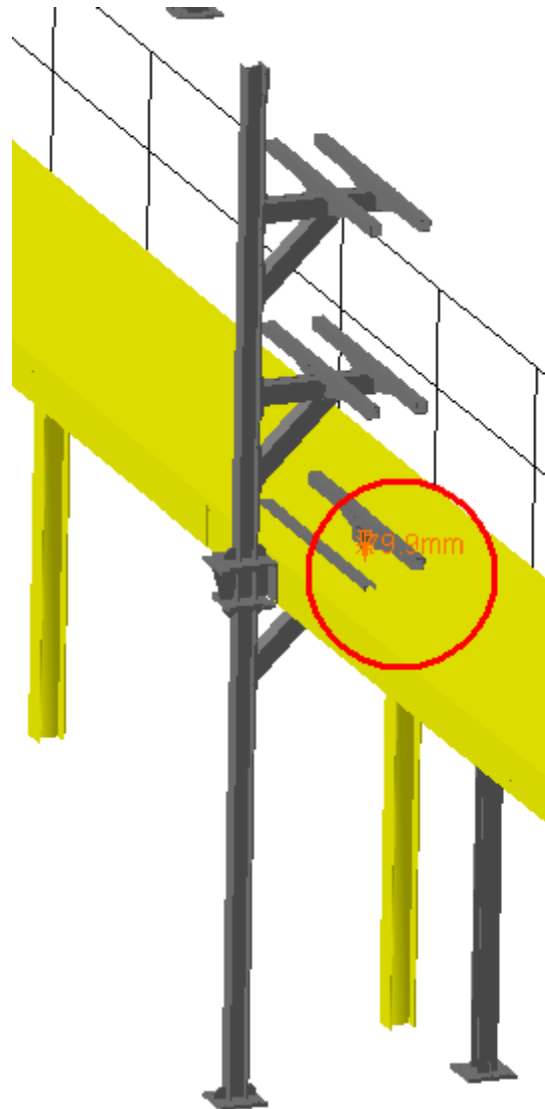
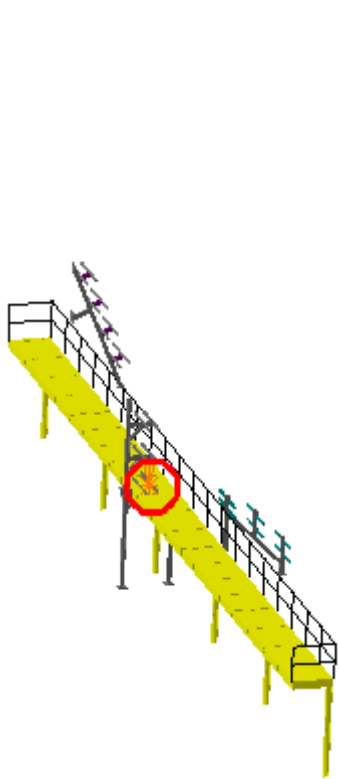
Not inspected



Clash View 1:



ATCNSR_0018 CABLE TRAYS SUPPORT - UX - US SIDE - SECTOR 2	ATCNFH_0013 HS METALLIC STRUCTURE - SIDE US15 - LEVEL +2,77M EXTENSION	Clash	-79.9mm	Not inspected
--	---	-------	---------	---------------



Side A
Sector 15

Clash View 1:

