

Clash Publish



Clash Computation Specification			
Products Selected			
ATCNSR_0017 CABLE TRAYS SUPPORT - UX - US SIDE - SECTOR 1	ATCNFH_0011 HS METALLIC STRUCTURE - SIDE US15 - LOWER PART	-15	Not inspected
	ATCNFH_0013 HS METALLIC STRUCTURE - SIDE US15 - LEVEL +2,77M EXTENSION	-79.9	Not inspected
	ATCNSR_0002 UX 15 RACKS - SIDE US 1	-17.39	Not inspected
	AT602166MQ MCB Muon Barrel Chambers Detailed	-23.04	Not inspected

Computation Result:

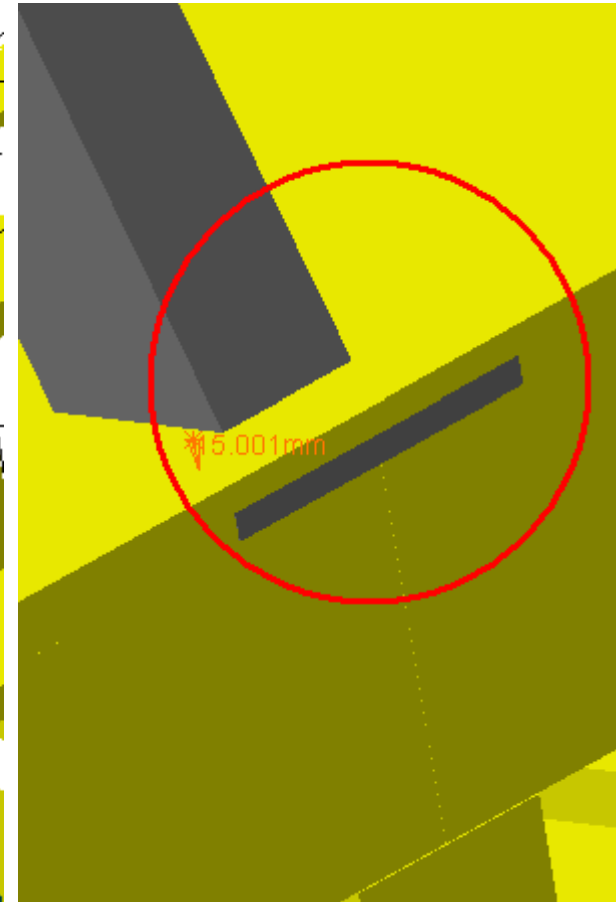
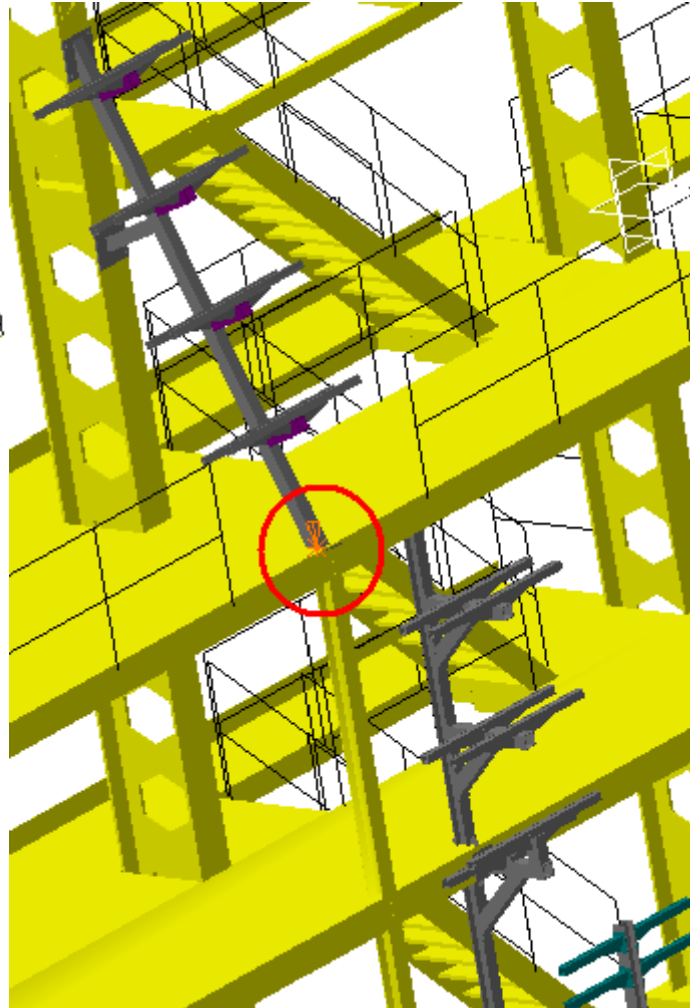
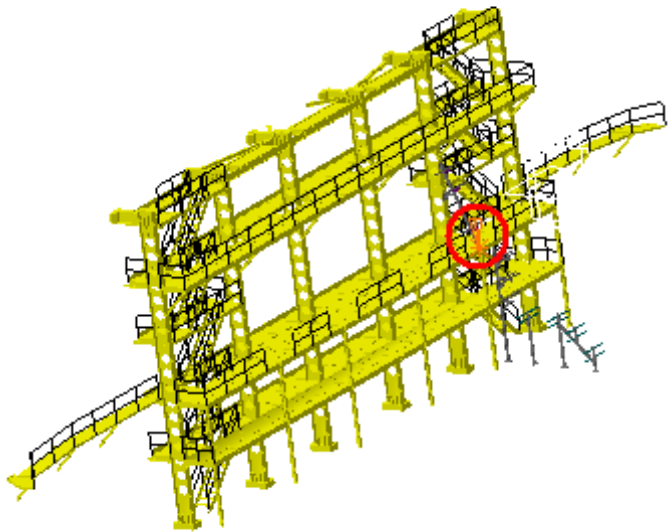
ATCNSR_0017 CABLE TRAYS SUPPORT -
UX - US SIDE - SECTOR 1

ATCNFH_0011 HS METALLIC STRUCTURE -
SIDE US15 - LOWER PART

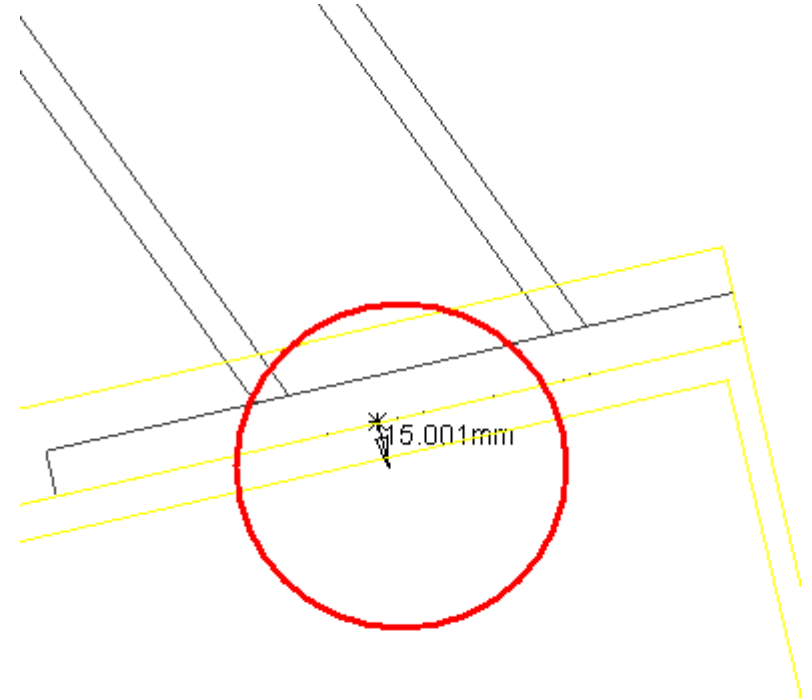
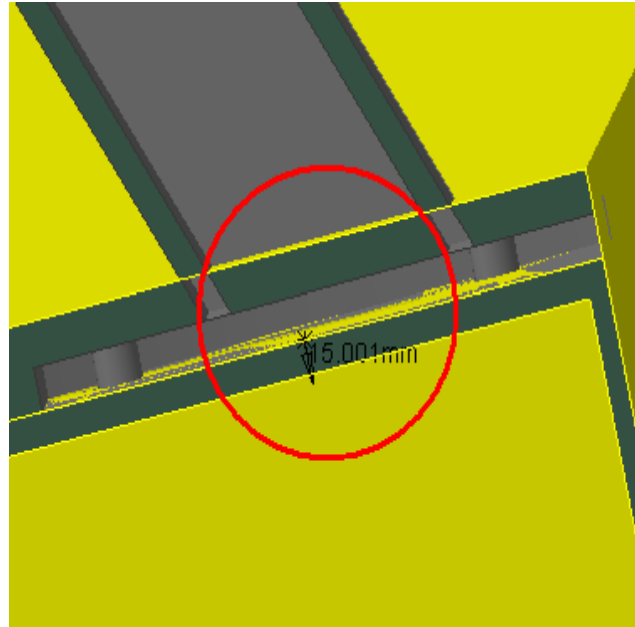
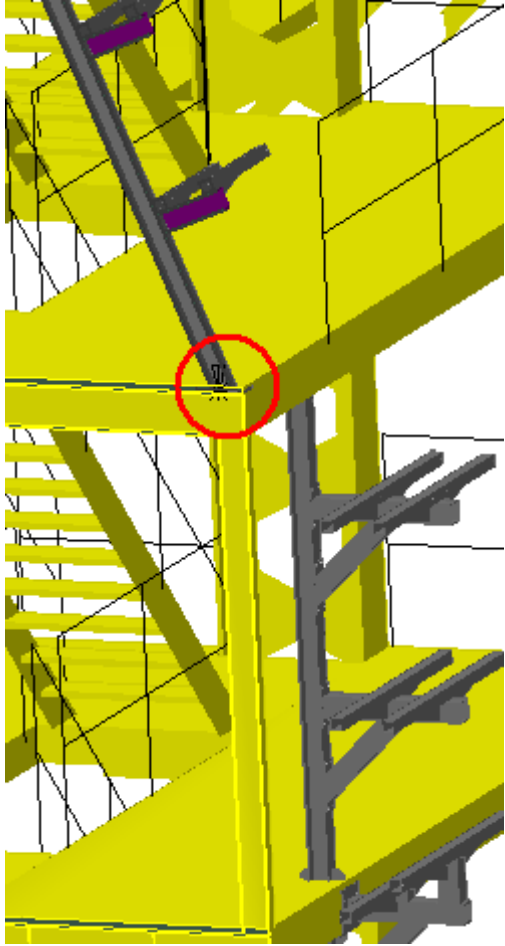
Clash

-15mm

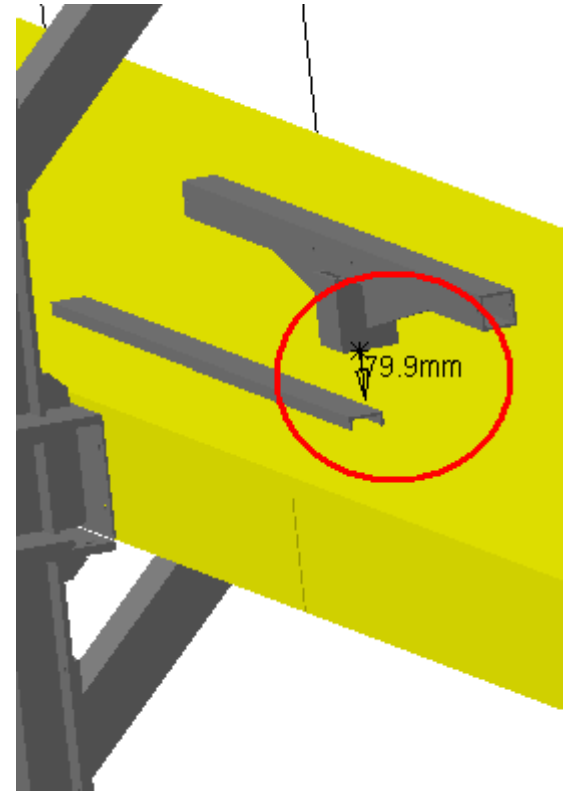
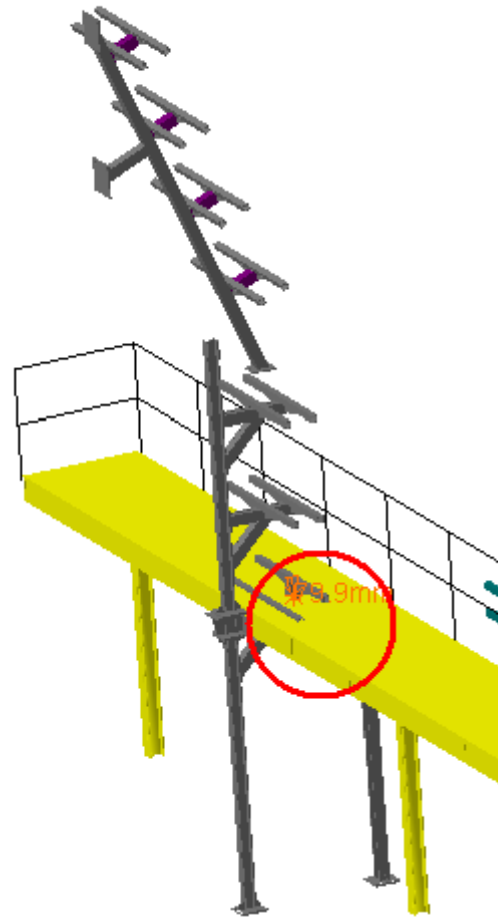
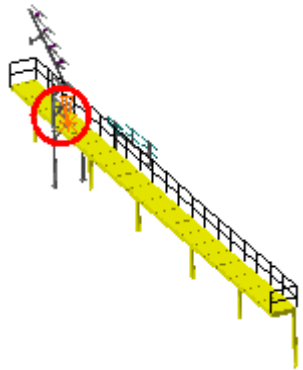
Not inspected



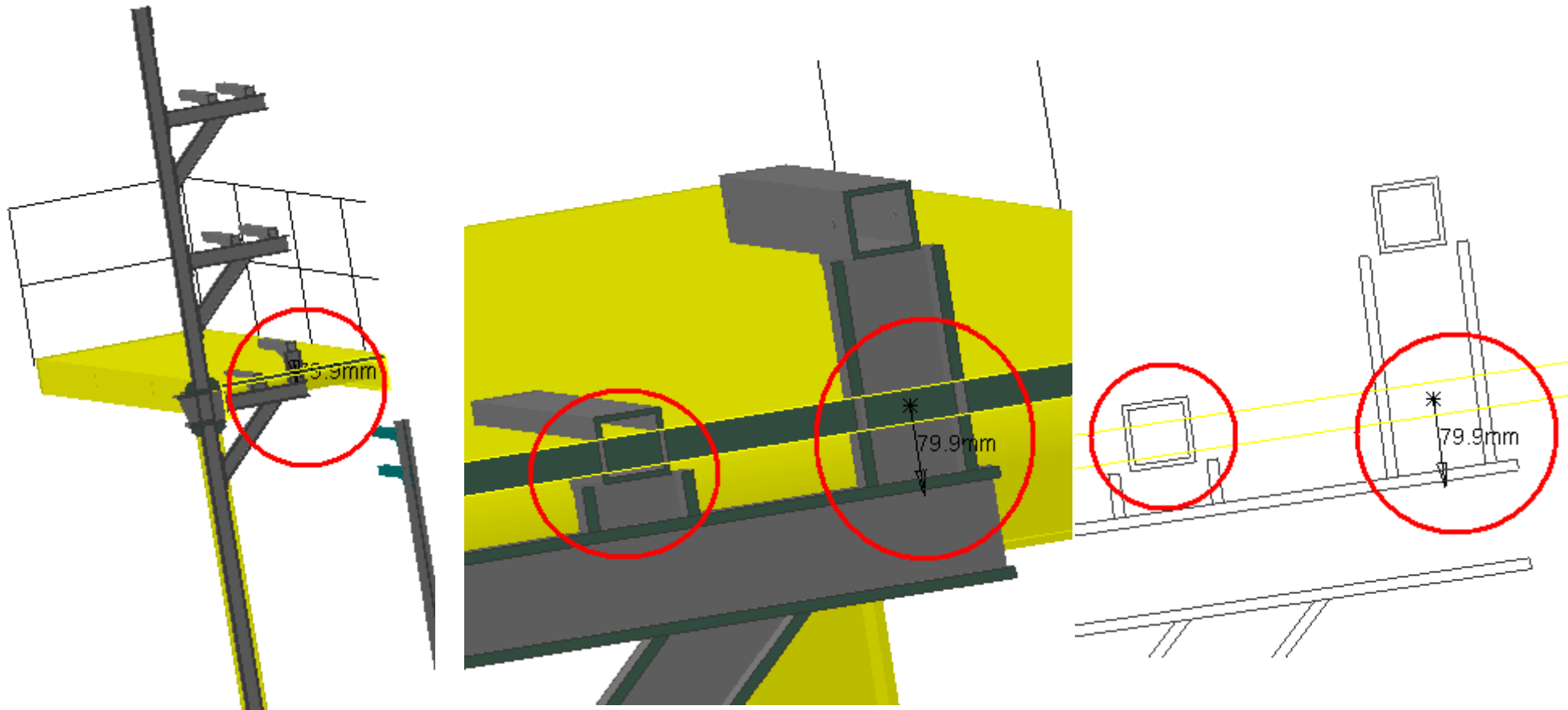
Clash View 1:



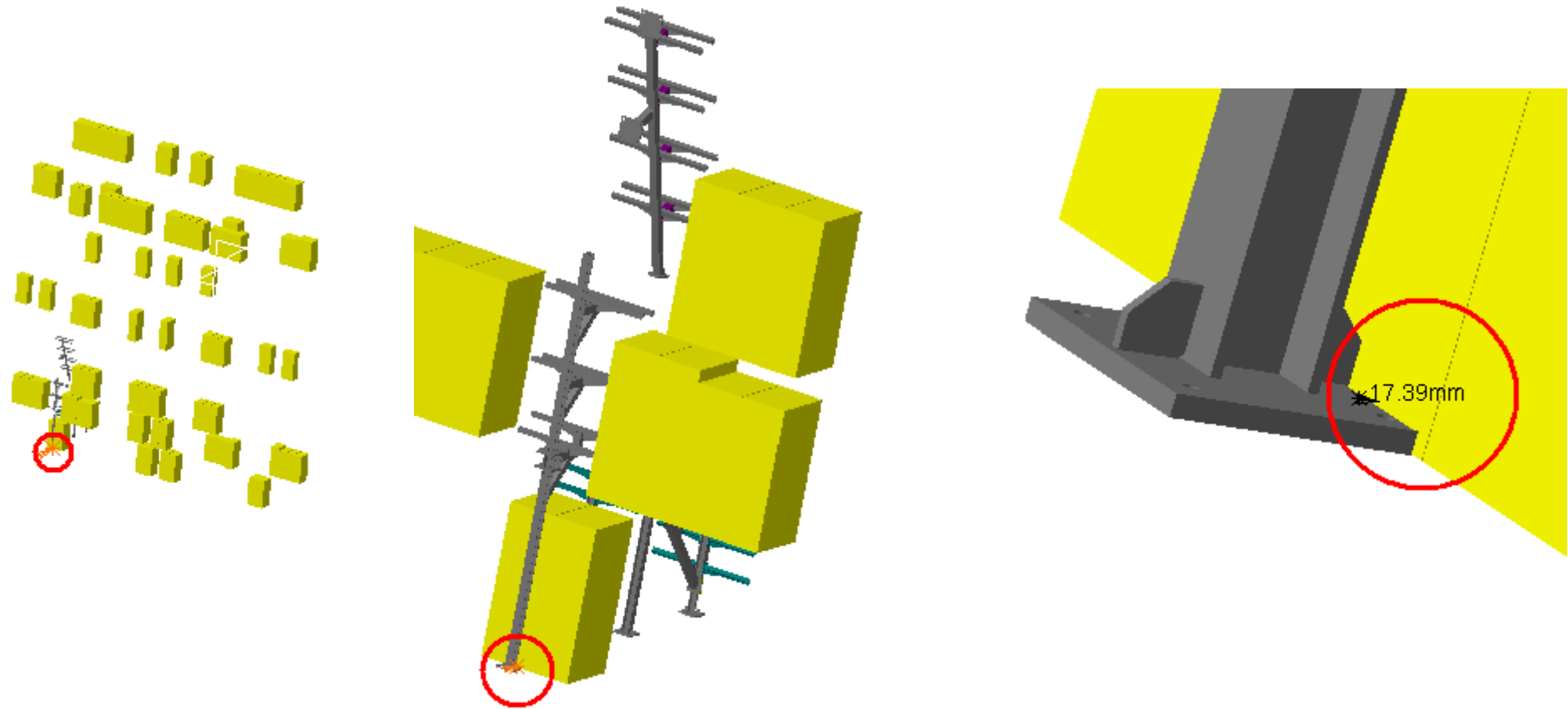
ATCNSR_0017 CABLE TRAYS SUPPORT - UX - US SIDE - SECTOR 1	ATCNFH_0013 HS METALLIC STRUCTURE - SIDE US15 - LEVEL +2,77M EXTENSION	Clash	-79.9mm	Not inspected
--	---	-------	---------	---------------



Clash View 1:

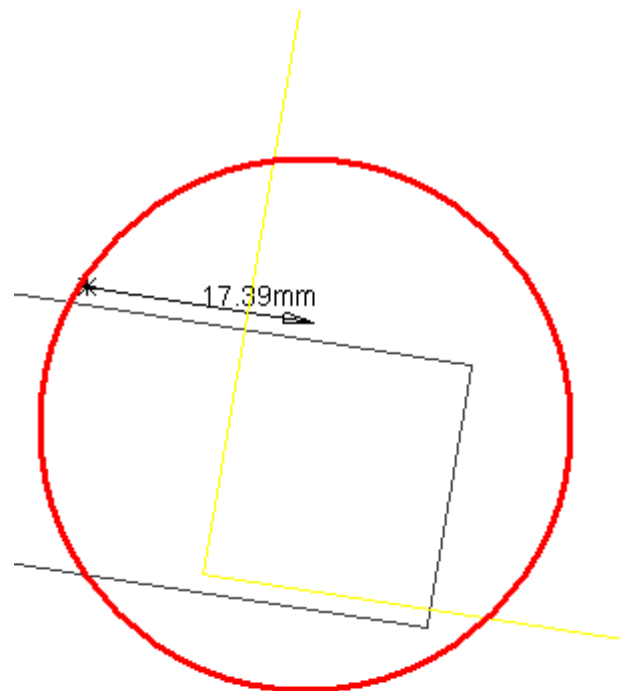
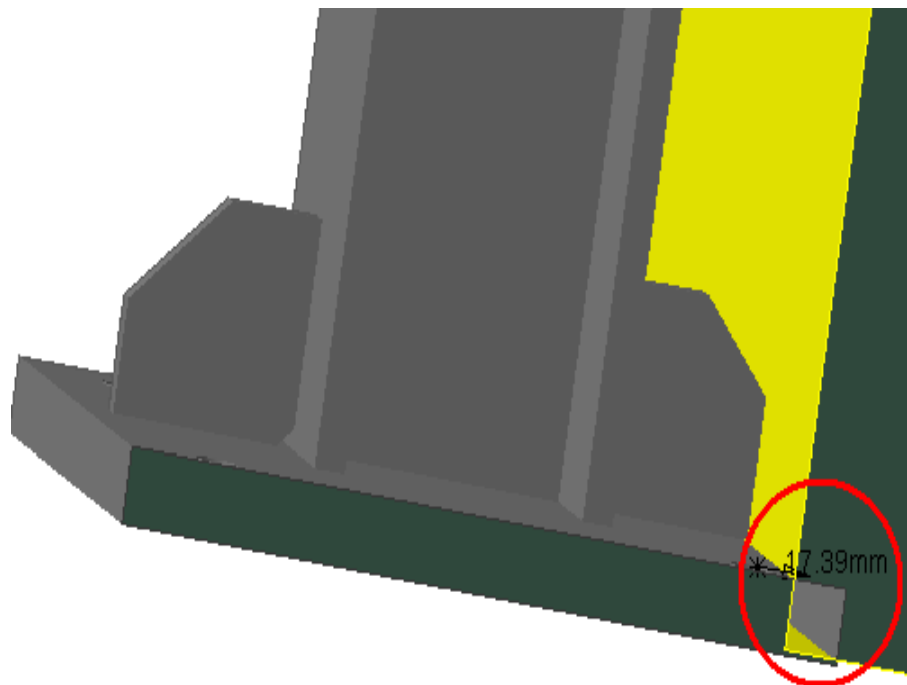


ATCNSR_0017 CABLE TRAYS SUPPORT - UX - US SIDE - SECTOR 1	ATCNSR_0002 UX 15 RACKS - SIDE US 1	Clash	-17.39mm	Not inspected
--	--	-------	----------	---------------

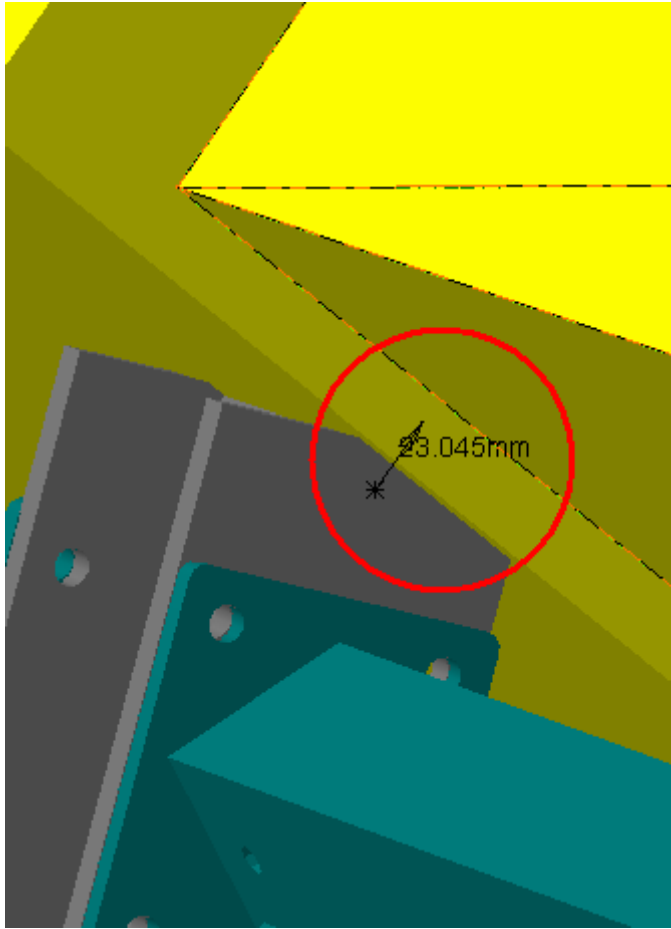
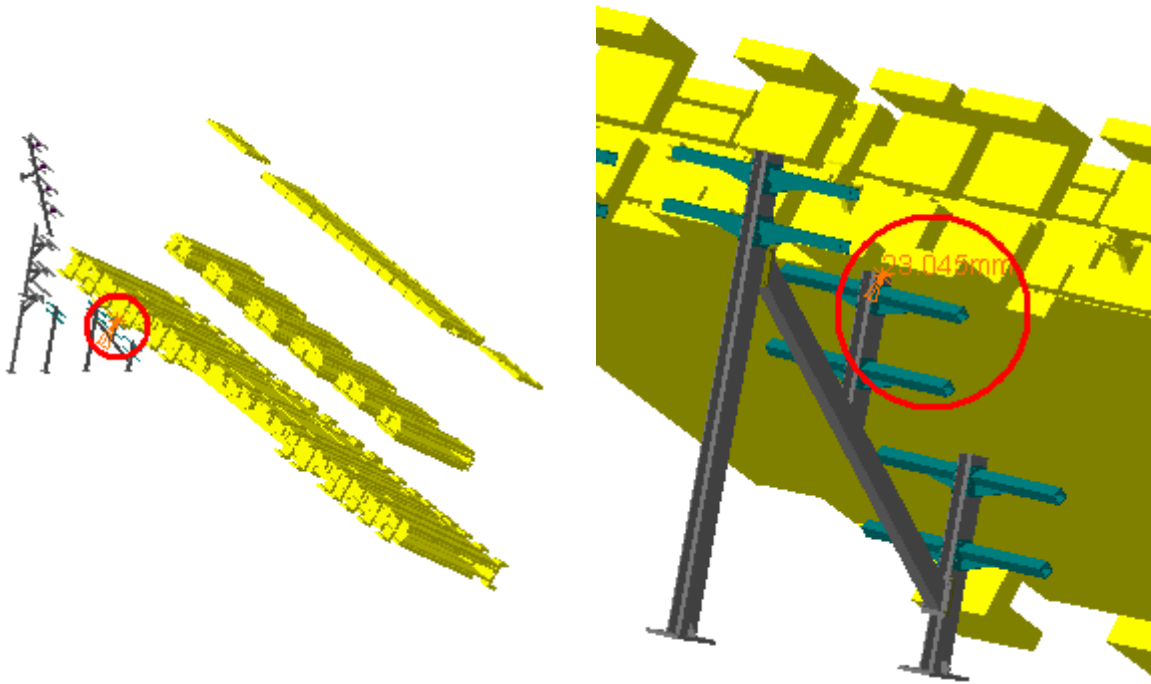


Side A
Sector 15

Clash View 1:



ATCNSR_0017 CABLE TRAYS SUPPORT - UX - US SIDE - SECTOR 1	AT602166MQ MCB Muon Barrel Chambers Detailed	Clash	-23.04mm	Not inspected
--	---	-------	----------	---------------



Side A
Sector 14

Clash View 1:

