

# Clash Publish



Clash Computation Specification			
Products Selected		Value	Status
NSR_0016 - SCT & PIXEL CABLE TRAYS - TYPE 4 - ON UX/US WALL	NFV_0007 - ATLAS - UX15 CAVERN - 3126 - SUPPLY LOW AIR DUCTS SIDE US15	-1.2 mm	Not inspected
	NFH_0011 - HS METALLIC STRUCTURE - SIDE US15 - LOWER PART	-58.9 mm	Not inspected
	NSR_0002 - UX 15 RACKS - SIDE US 15	-9.4 mm	Not inspected
	NSR_0020 - CABLE TRAYS SUPPORT - UX - US SIDE - SECTOR 4	-14.9 mm	Not inspected

**Computation Result:**

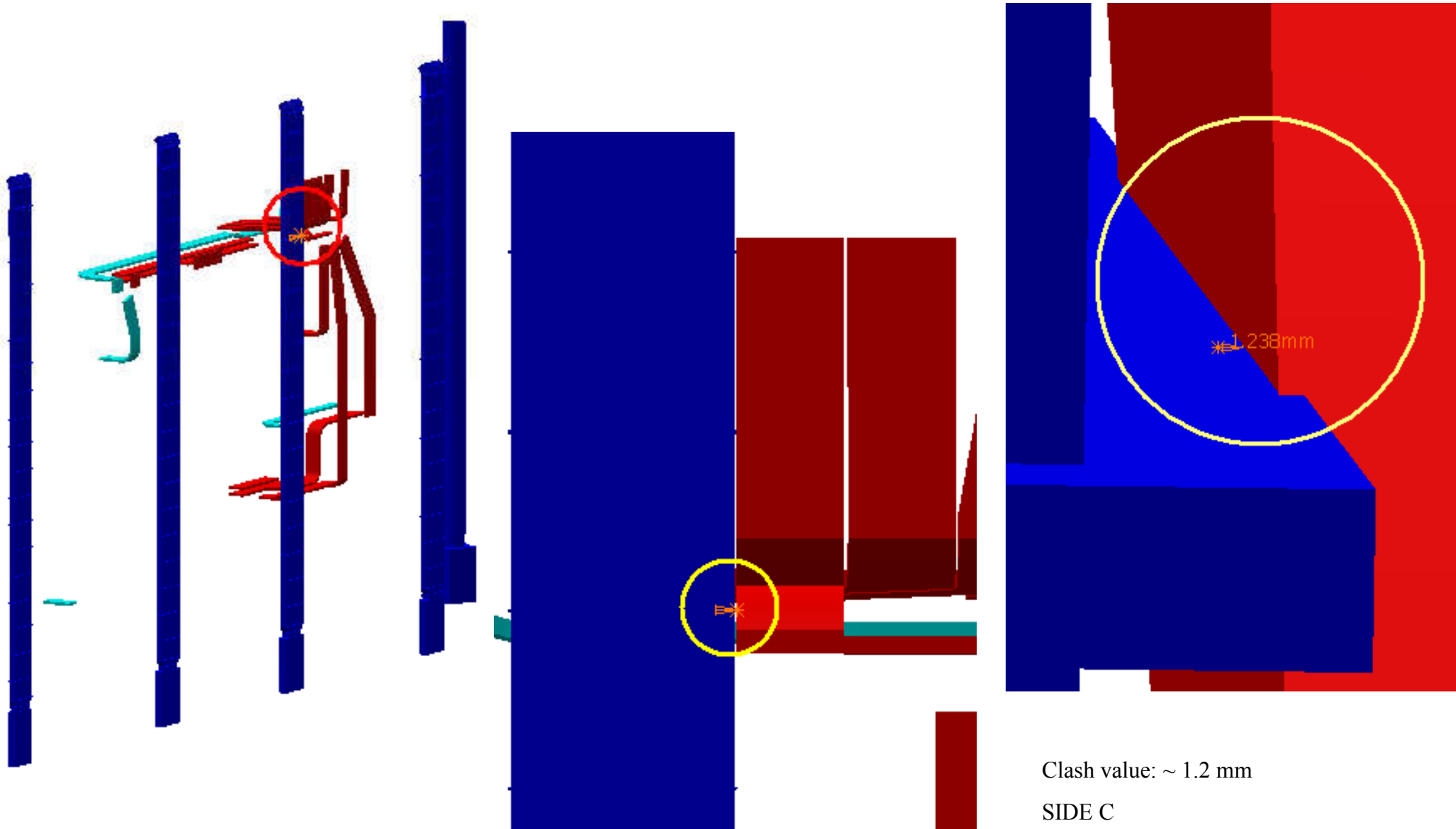
NSR\_0016 - SCT & PIXEL CABLE TRAYS -  
TYPE 4 - ON UX/US WALL

NFV\_0007 - ATLAS - UX15 CAVERN - 3126 -  
SUPPLY LOW AIR DUCTS SIDE US15

Clash

-1.2 mm

Not inspected

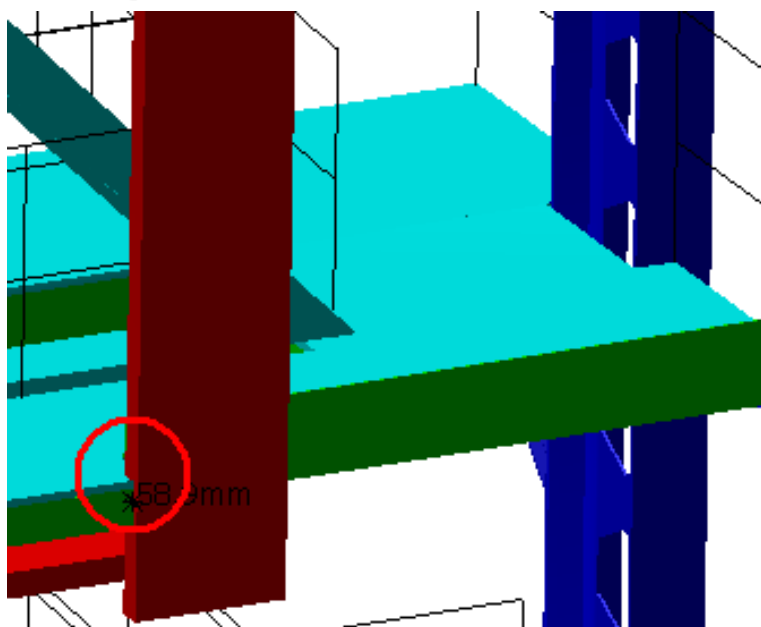
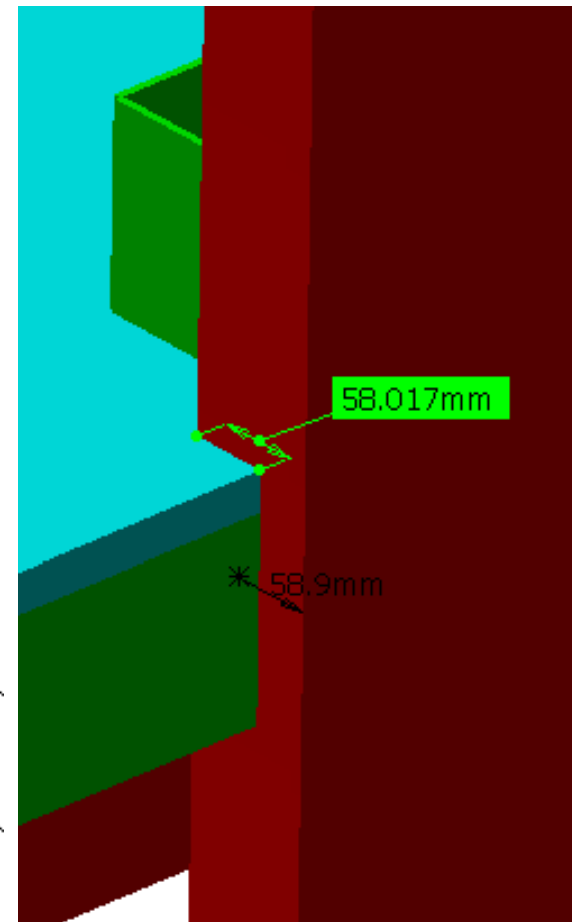
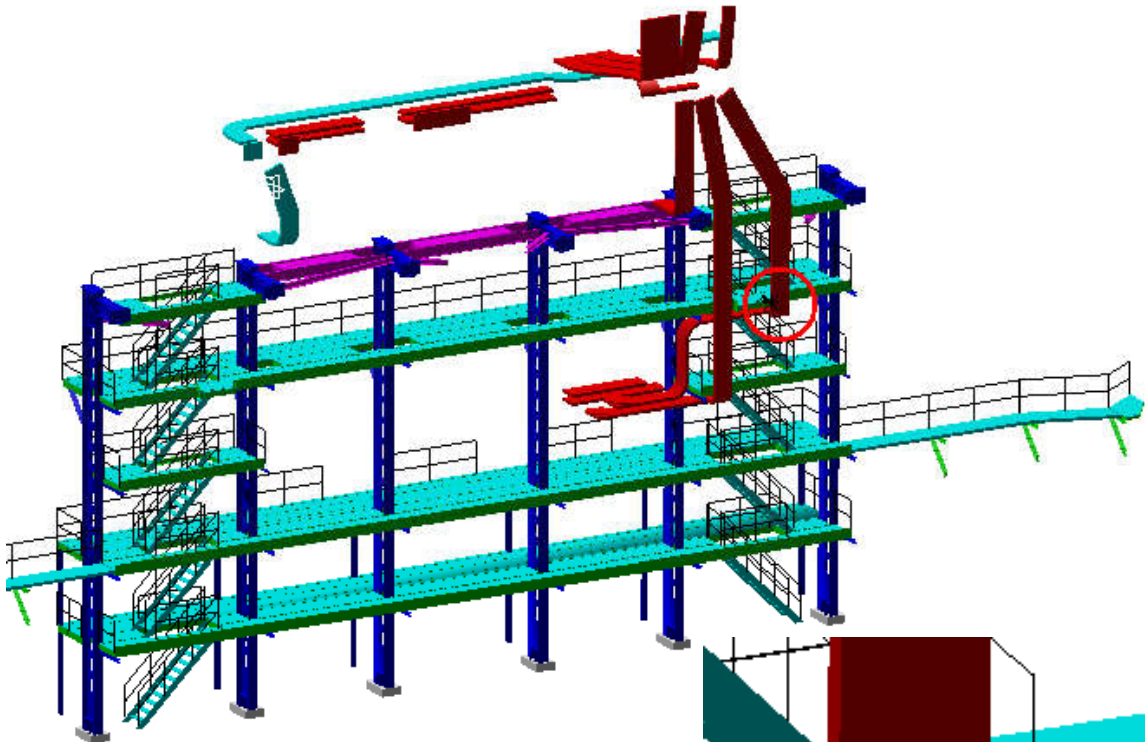


Clash value: ~ 1.2 mm

SIDE C

Sector 3

NSR_0016 - SCT & PIXEL CABLE TRAYS - TYPE 4 - ON UX/US WALL	NFH_0011 - HS METALLIC STRUCTURE - SIDE US15 - LOWER PART	Clash	-58.9 mm	Not inspected
--	--	-------	----------	---------------



Clash value: ~ 58.9 mm  
SIDE C  
Sector 1

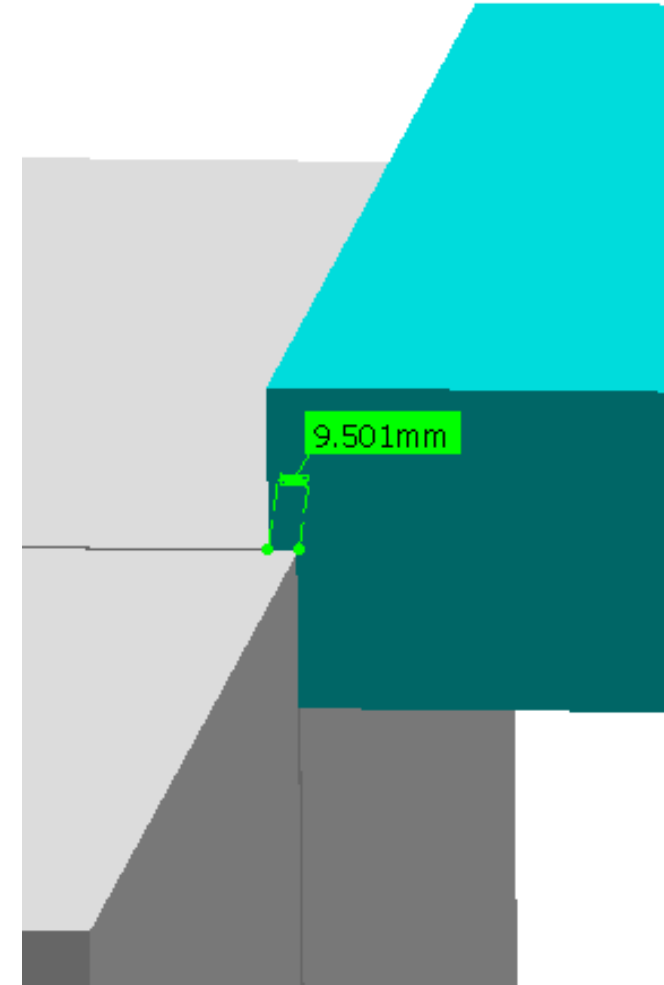
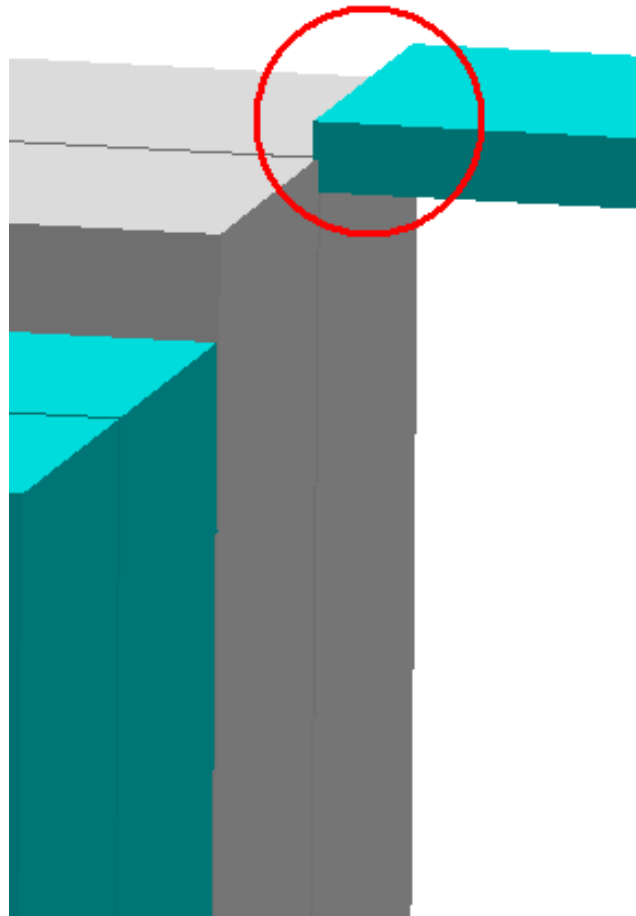
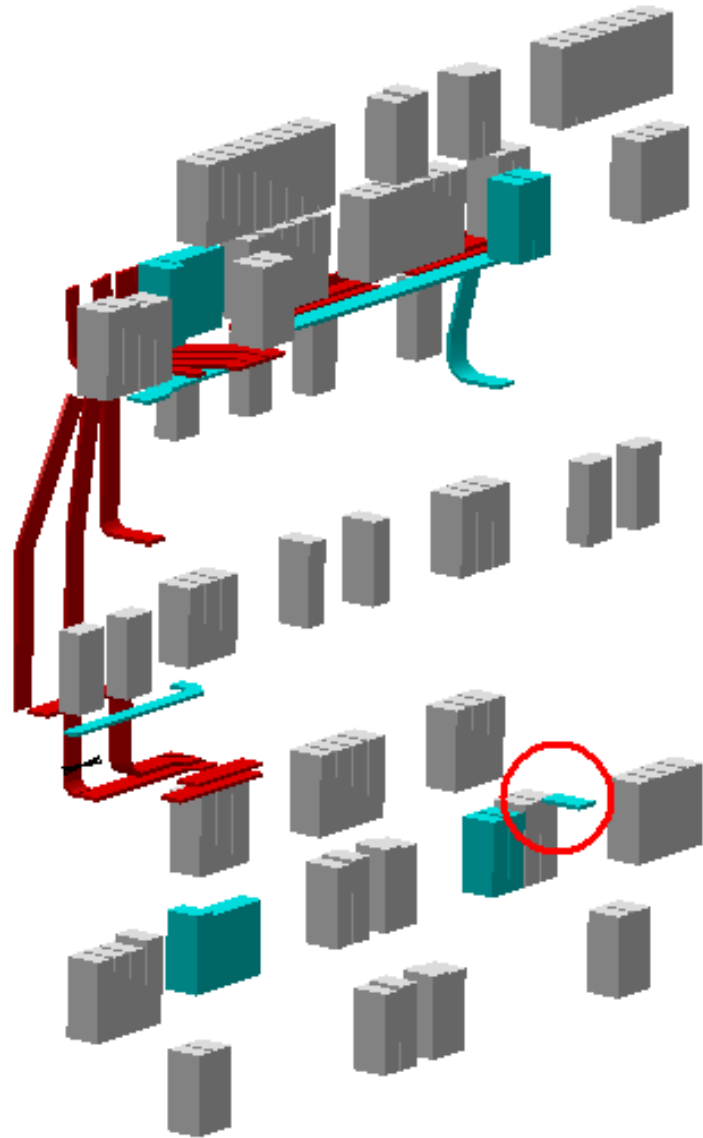
NSR\_0016 - SCT & PIXEL CABLE TRAYS -  
TYPE 4 - ON UX/US WALL

NSR\_0002 - UX 15 RACKS - SIDE US 15

Clash

-9.4 mm

Not inspected



Clash value: ~ 9.4 mm

SIDE C

Sector 15

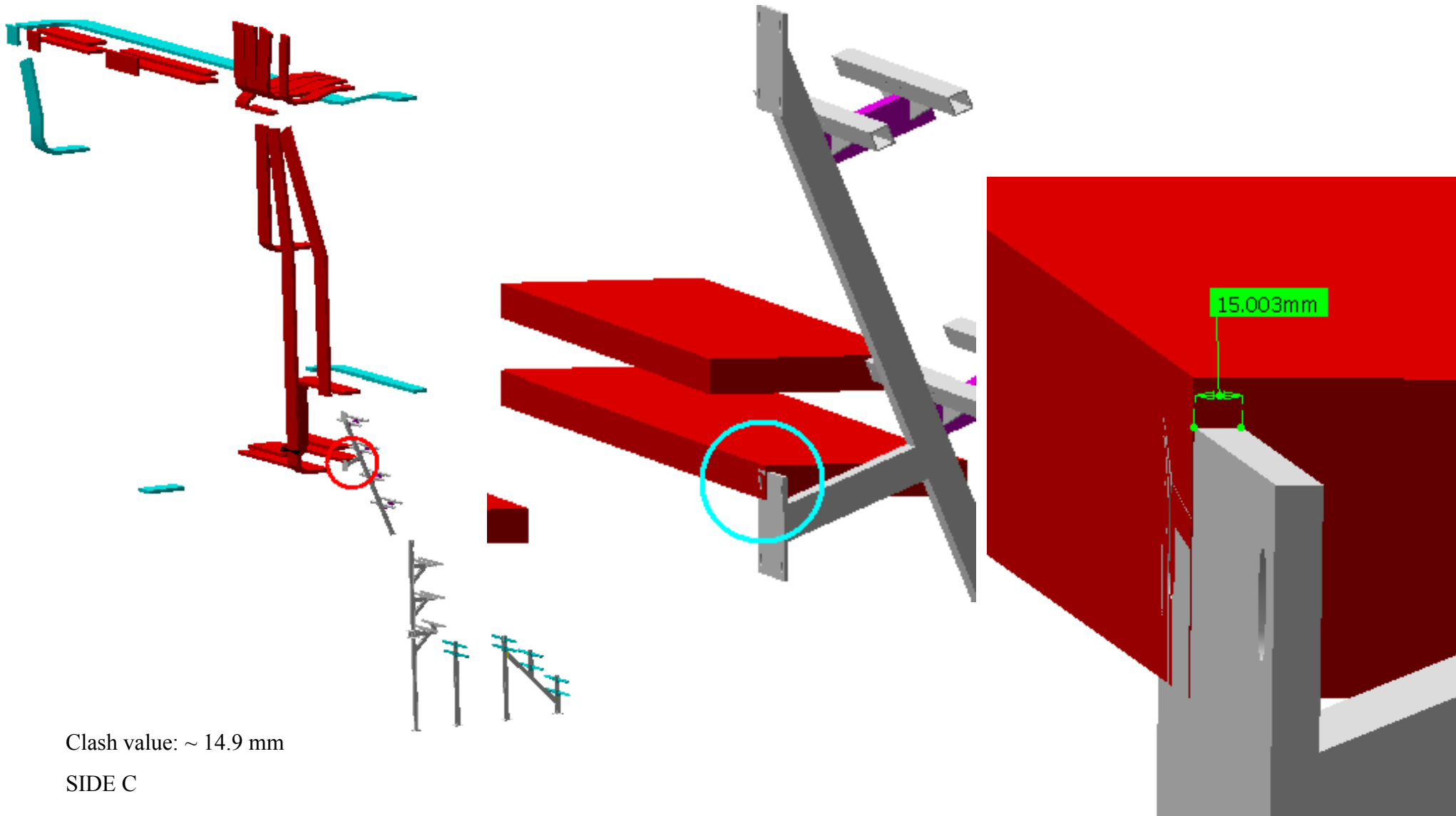
NSR\_0016 - SCT & PIXEL CABLE TRAYS -  
TYPE 4 - ON UX/US WALL

NSR\_0020 - CABLE TRAYS SUPPORT - UX - US  
SIDE - SECTOR 4

Clash

-14.9 mm

Not inspected



Clash value: ~ 14.9 mm

SIDE C

Sector 16

