

# Clearance Publish

Clearance = 50mm



## Clearance Computation Specification

Clearance Computation Specification			
Products Selected		Value	Status
NSR_0002 - UX 15 RACKS - SIDE US 15	NFH_0012 - HS METALLIC STRUCTURE - SIDE US15 - UPPER PART	0 mm	Not Relevant
	NFH_0013 - HS METALLIC STRUCTURE - SIDE US15 - LEVEL +2,77M EXTENSION	0 mm	Not Relevant
	NFV_0007 - ATLAS - UX15 CAVERN - 3126 - SUPPLY LOW AIR DUCTS SIDE US15	48.4 mm	Not Relevant

Revised by Tomas 30/11/2005

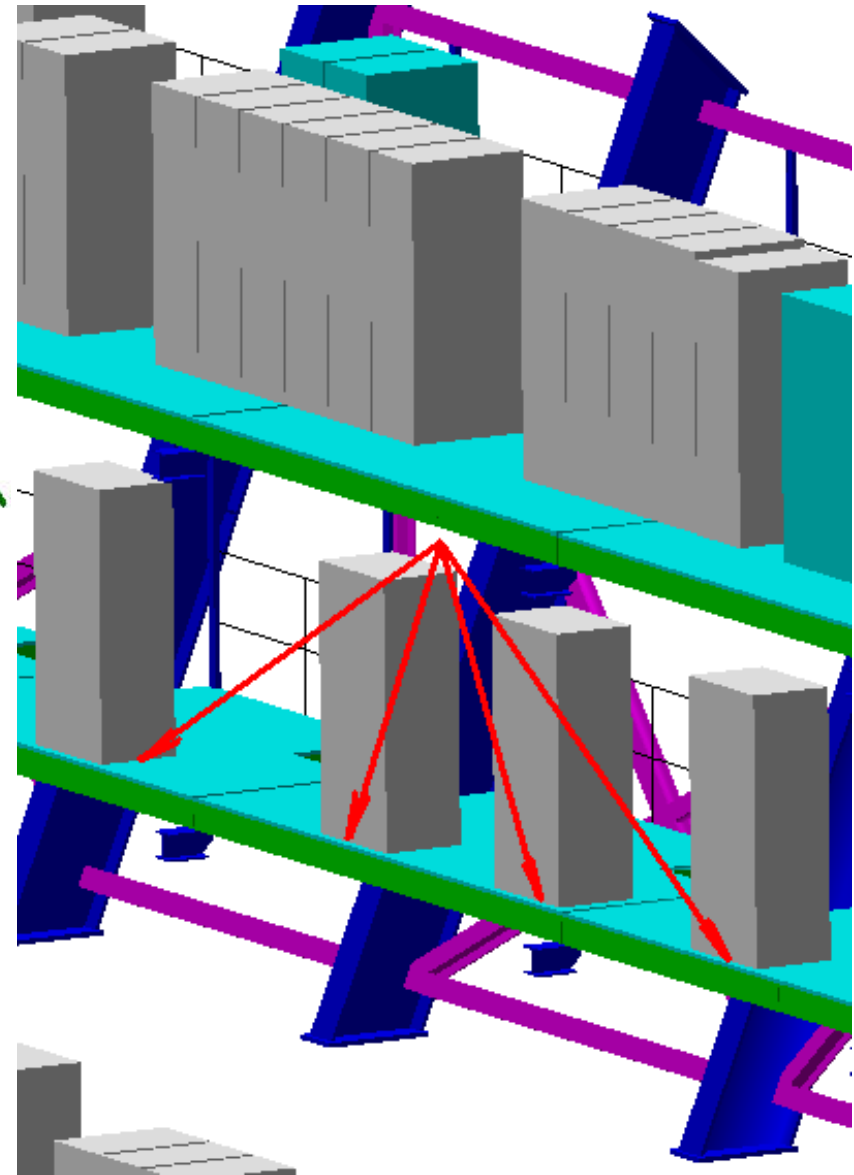
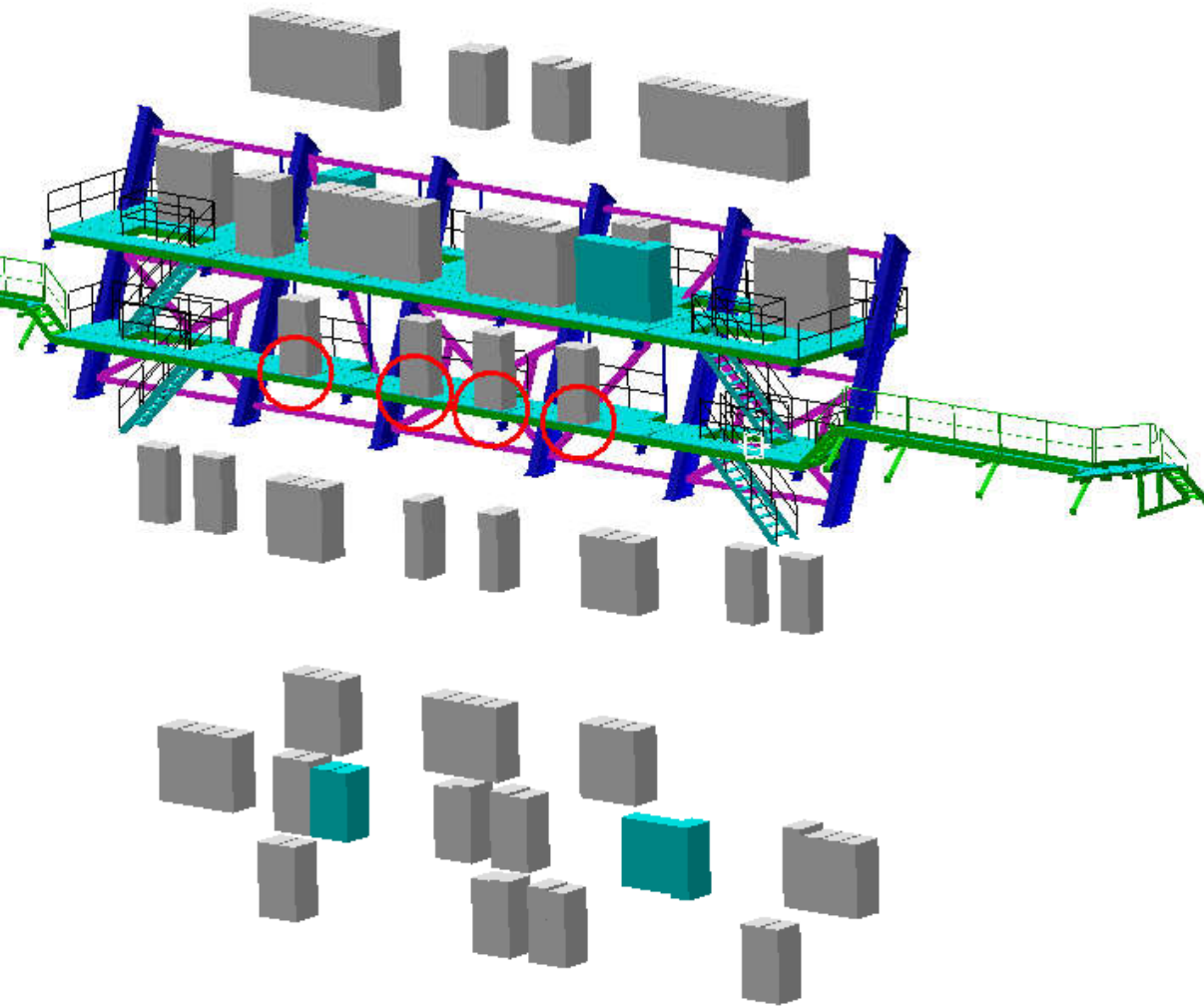
NSR\_0002 - UX 15 RACKS - SIDE US 15

NFH\_0012 - HS METALLIC STRUCTURE -  
SIDE US15 - UPPER PART

Contact

0 mm

Not Relevant



SIDE A-C

Sector 2

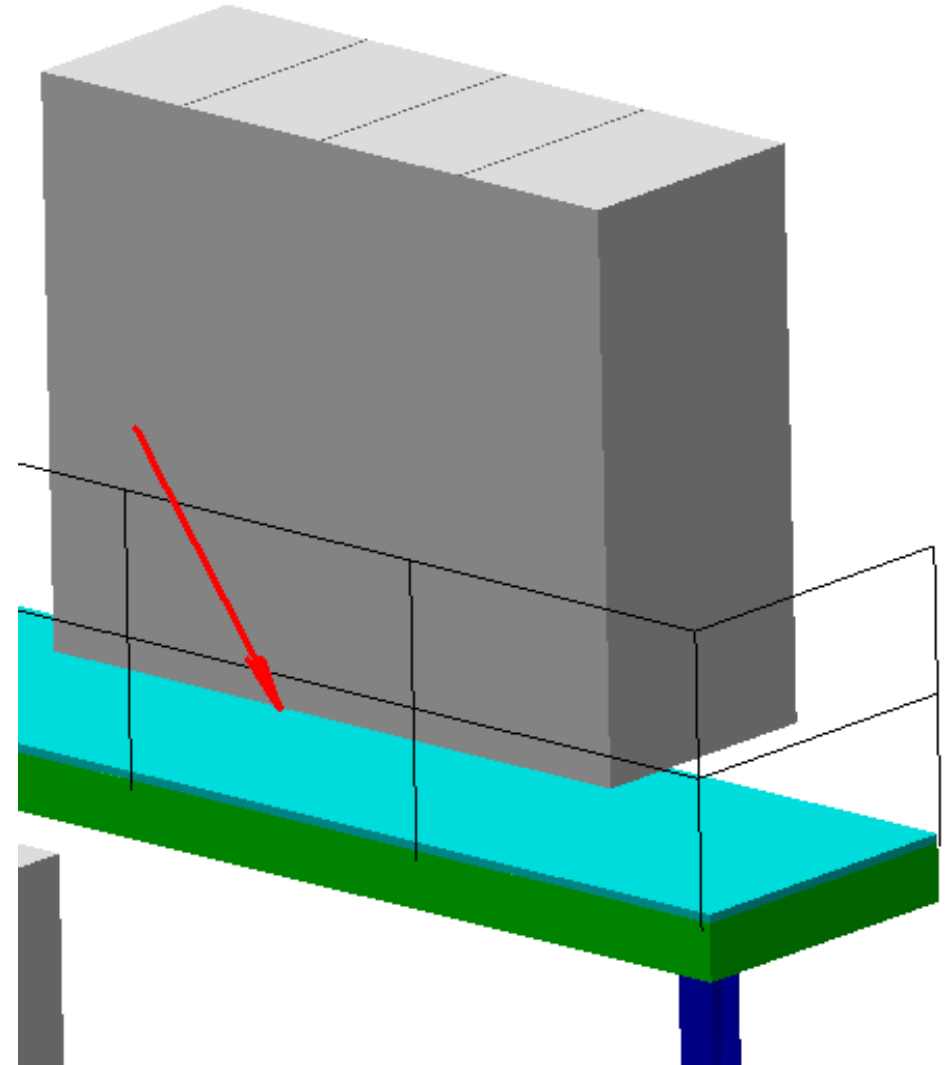
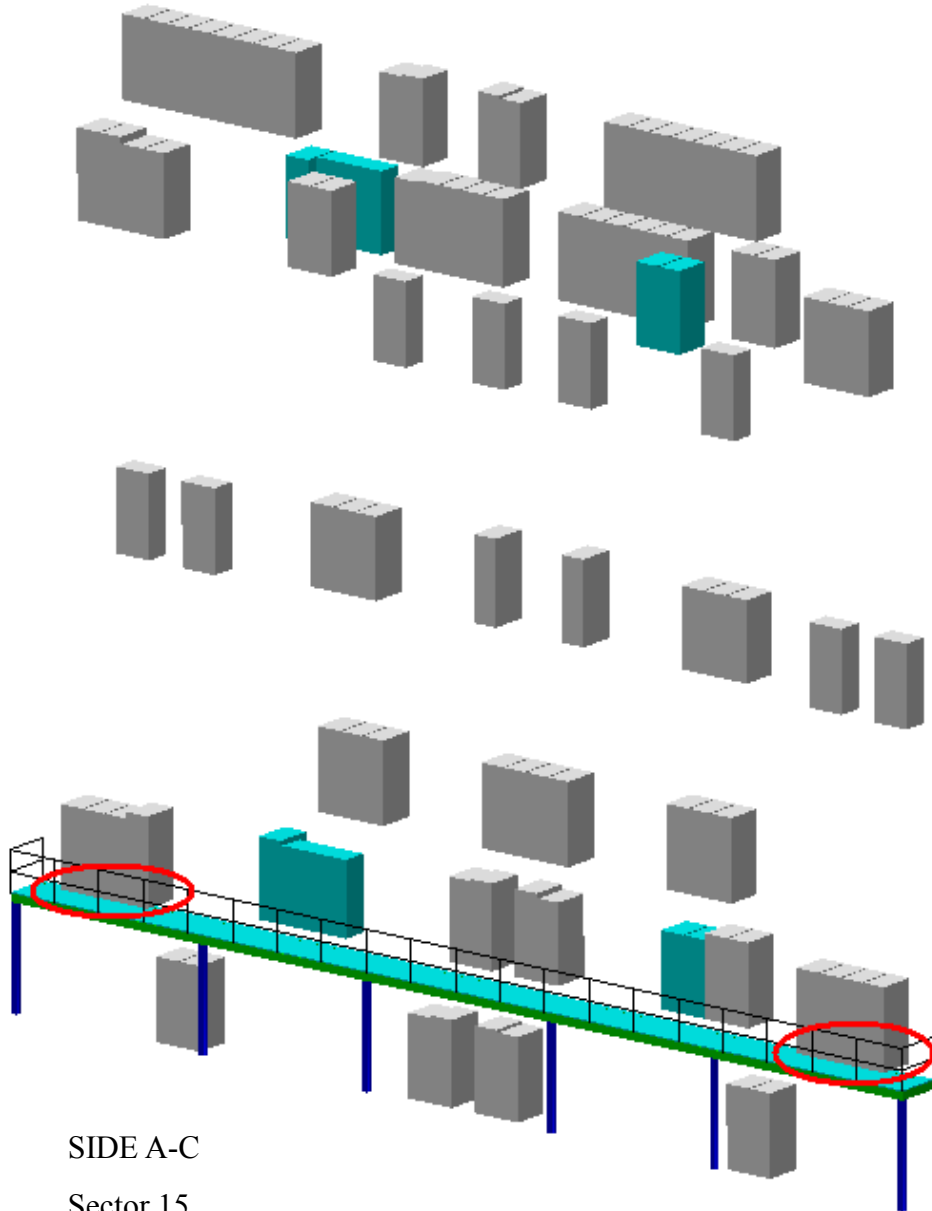
NSR\_0002 - UX 15 RACKS - SIDE US 15

NFH\_0013 - HS METALLIC STRUCTURE -  
SIDE US15 - LEVEL +2,77M EXTENSION

Contact

0 mm

Not Relevant



SIDE A-C

Sector 15

**NSR\_0002** - UX 15 RACKS -  
SIDE US 15

**NFV\_0007** - ATLAS - UX15 CAVERN  
- 3126 - SUPPLY LOW AIR DUCTS  
SIDE US15

Clearance	48.4 mm			Not Relevant
	$\Delta X \approx 48.4$	$\Delta Y \approx 0$	$\Delta Z \approx 0$	



SIDE A-C  
Sectors 2