

# Clash Publish

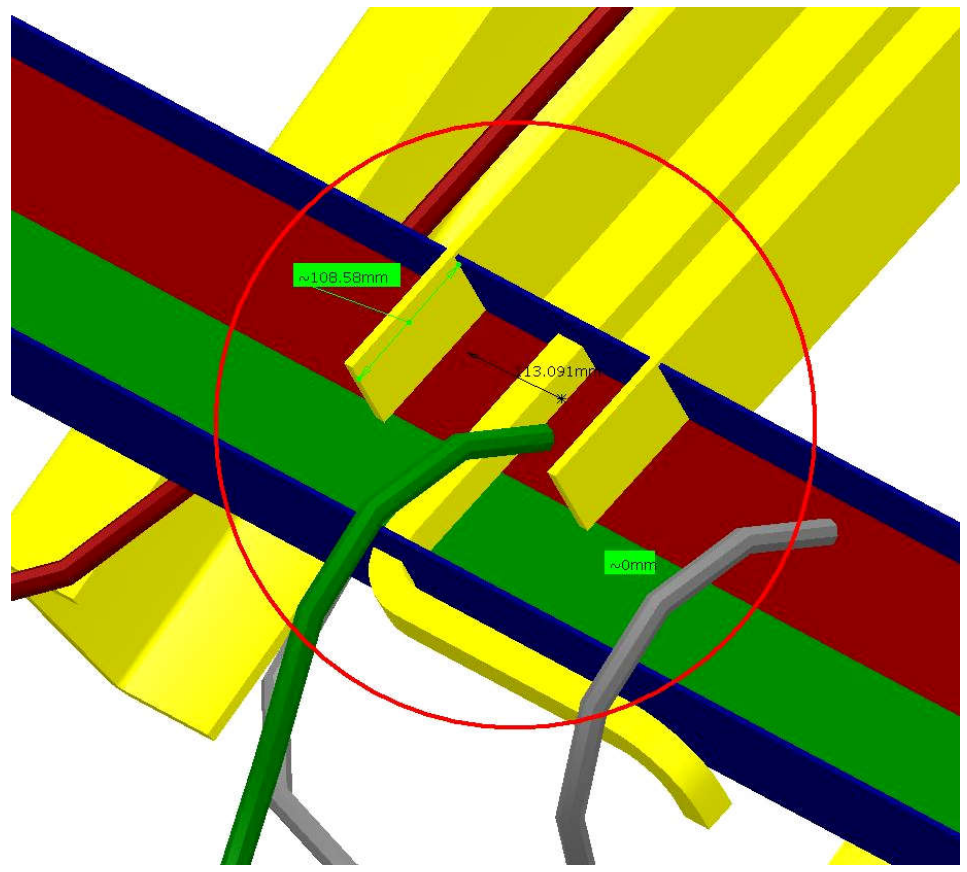


Clash Computation Specification			
Products Selected			
ATCNSM_0015 BT HEATER BOXES AND CABLES - FOR FOOT REGION	AT782546MQ Trays in Feet Region /S.12-13/	113mm	Relevant
	ATCVHB_0001 CENTRAL PAIR OF FEET B - DETAILED MODEL FOR STANDARDS	-0.79	Not inspected
	ATCVHB_0002 STANDARD PAIR OF FEET A1 (C1) - DETAILED MODEL FOR STANDARDS	-0.8	Not inspected
	ATCVHB_0003 STANDARD PAIR OF FEET A2 (C2) - DETAILED MODEL FOR STANDARDS	-0.8	Not inspected
	ATCVHB_0004 STANDARD PAIR OF FEET A3 (C3) - DETAILED MODEL FOR STANDARDS	-0.8	Not inspected
	ATCVHB_0003 M STANDARD PAIR OF FEET A2 (C2) - DETAILED MODEL FOR STANDARDS	-0.79	Not inspected
	ATCVHB_0004 M STANDARD PAIR OF FEET A3 (C3) - DETAILED MODEL FOR STANDARDS	-0.79	Not inspected
	ATCNSR_0007 TB CABLE SERVICE - CABLE TRAYS	-55.66	Not inspected
	ATCNSM_0016 BT HEATER CABLE DISTRIBUTION - FOR FOOT R <b>UNDER CONSTRUCTION</b>	----	Not inspected

Revised by Tatiana 29/07/2005

RELEVANT

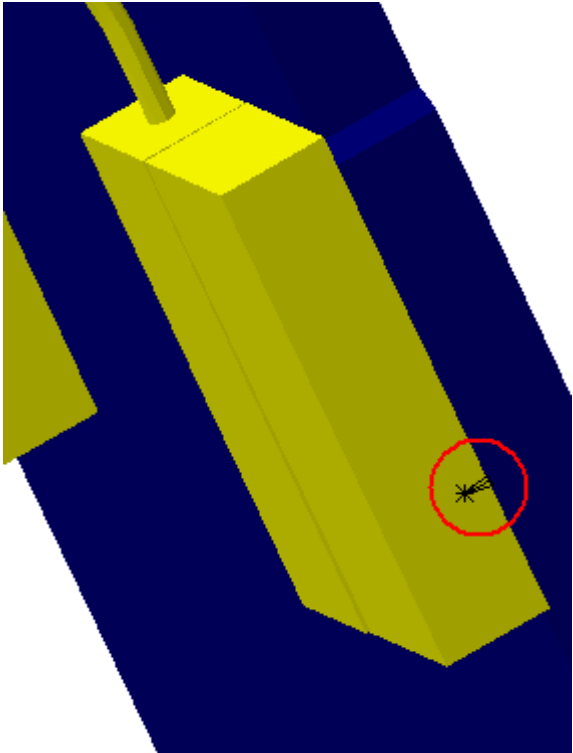
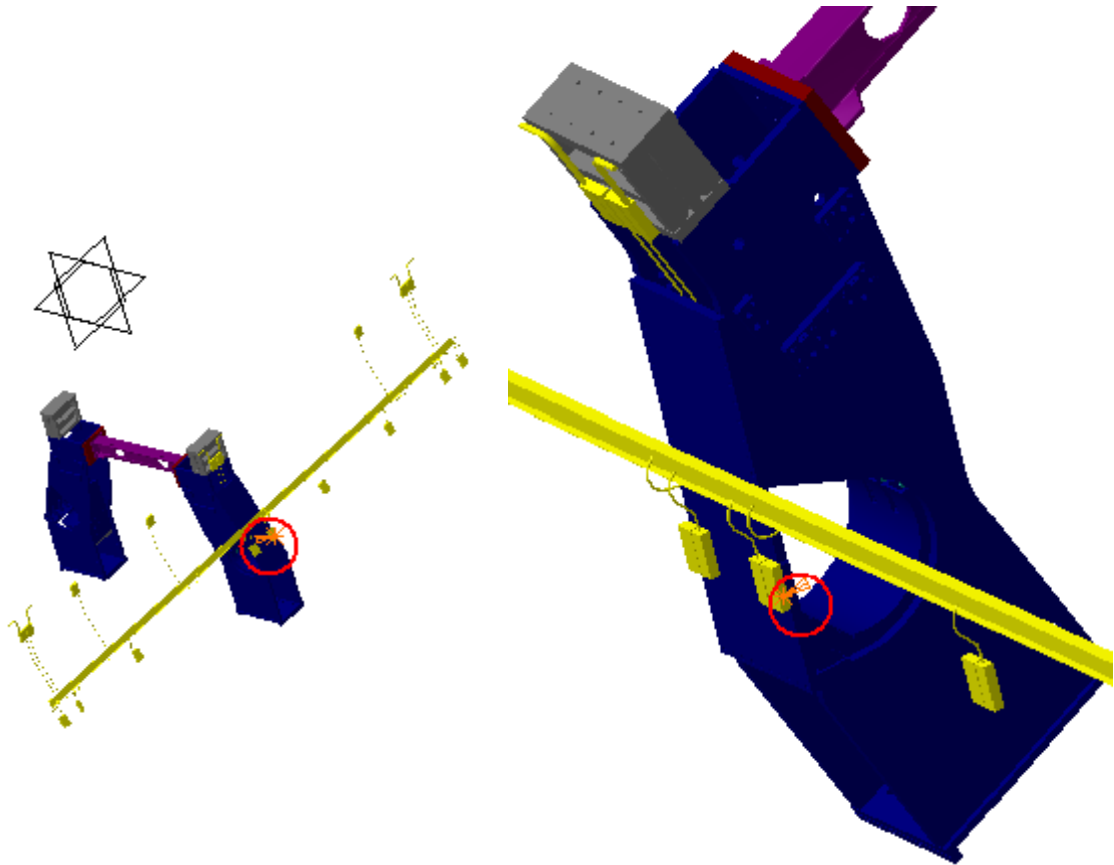
ATCNSM_0015 BT HEATER BOXES AND CABLES - FOR FOOT REGION	AT782546MQ Trays in Feet Region /S.12-13/	Clash	113mm	Relevant
--	---	-------	-------	----------



Side A  
Sector 12

Tatiana: Conflict of cable packages

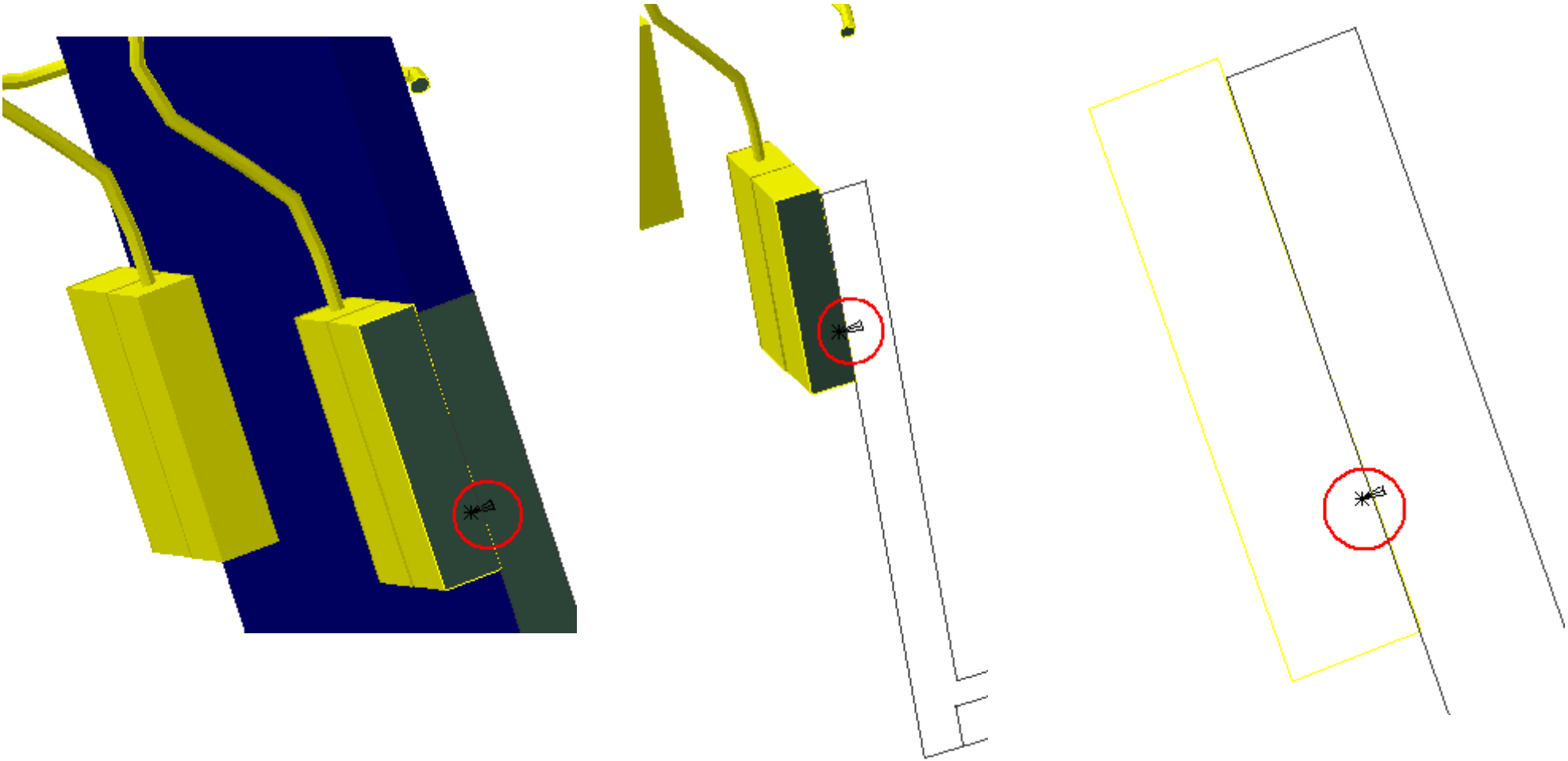
ATCNSM_0015 BT HEATER BOXES AND CABLES - FOR FOOT REGION	ATCVHB_0001 CENTRAL PAIR OF FEET B - DETAILED MODEL FOR STANDARDS	Clash	-0.79mm	Not inspected
--	---	-------	---------	---------------



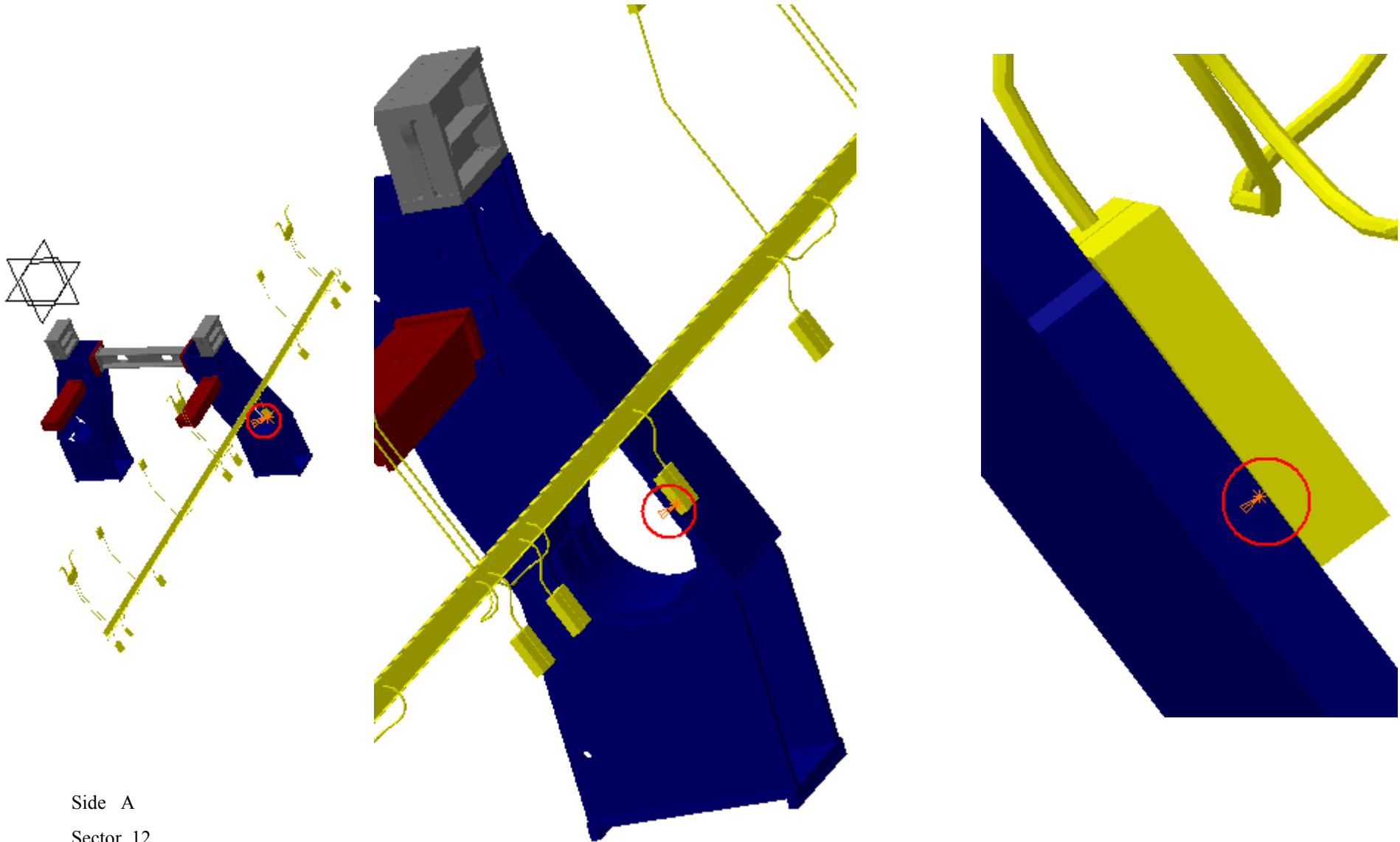
Side A

Sector 12

# Clash View 1:

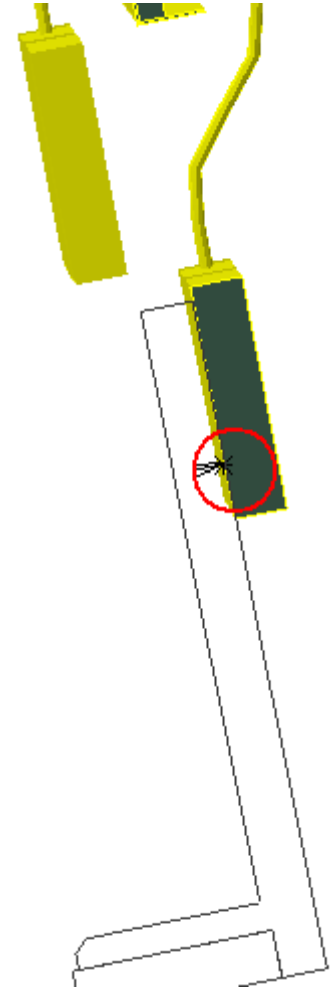
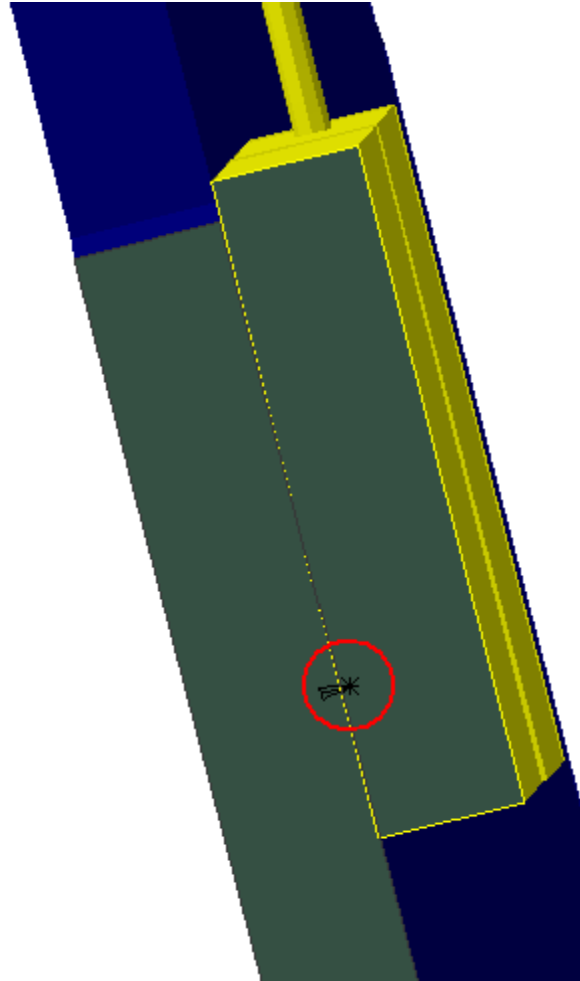
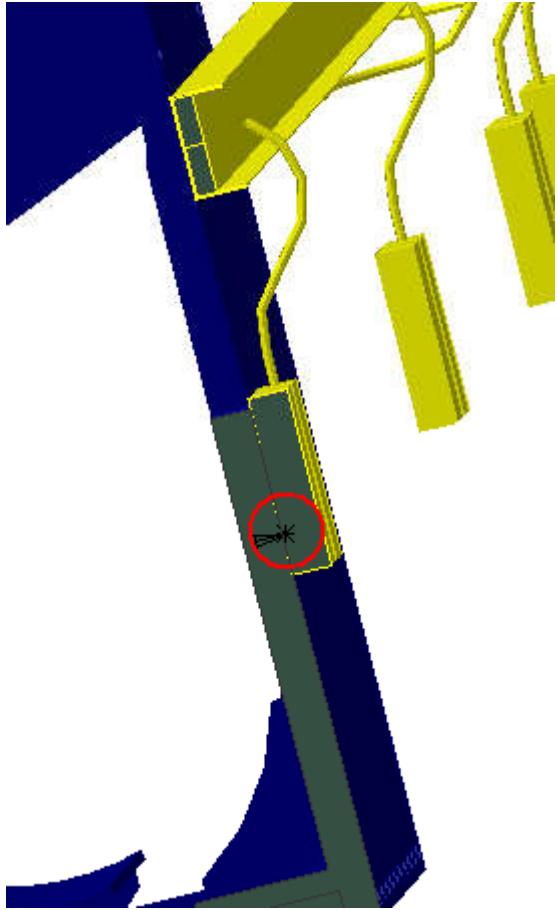


ATCNSM_0015 BT HEATER BOXES AND CABLES - FOR FOOT REGION	ATCVHB_0002 STANDARD PAIR OF FEET A1 (C1) - DETAILED MODEL FOR STANDARDS	Clash	-0.8mm	Not inspected
--	--	-------	--------	---------------



Side A  
Sector 12

# Clash View 1:



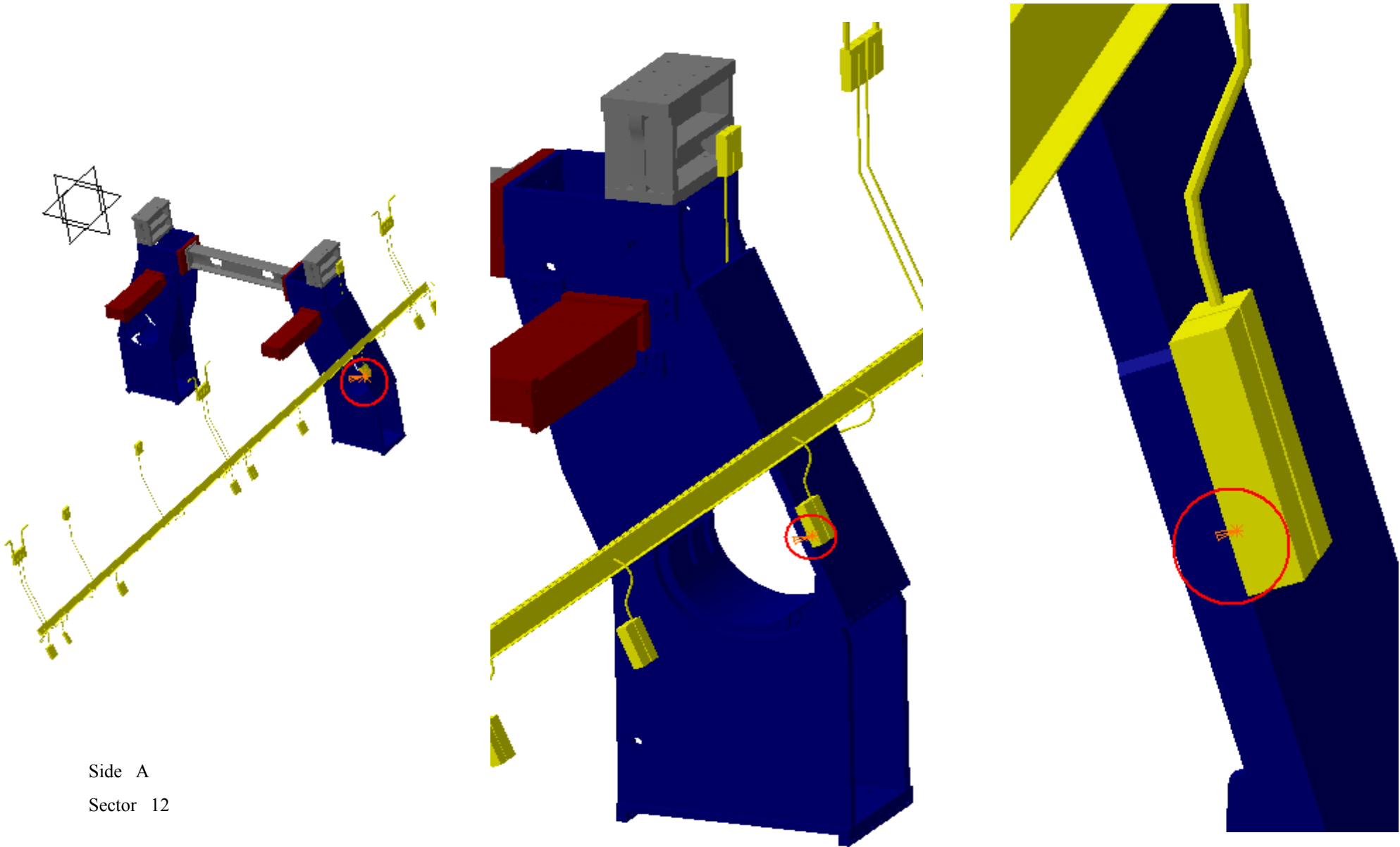
ATCNSM\_0015 BT HEATER BOXES AND CABLES - FOR FOOT REGION

ATCVHB\_0003 STANDARD PAIR OF FEET A2 (C2) - DETAILED MODEL FOR STANDARDS

Clash

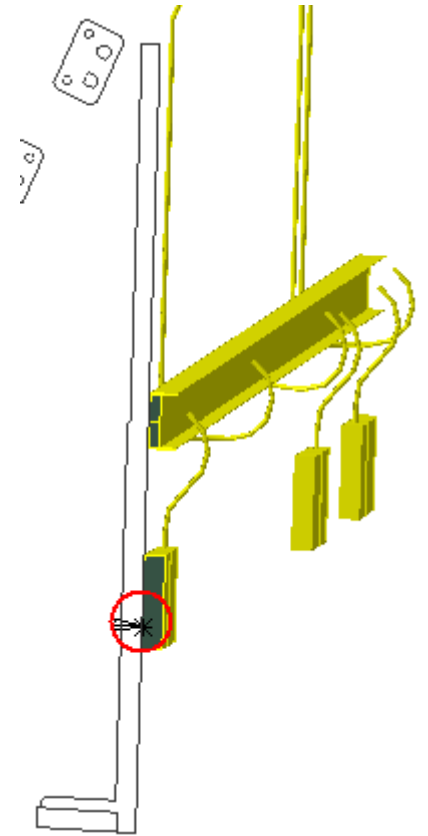
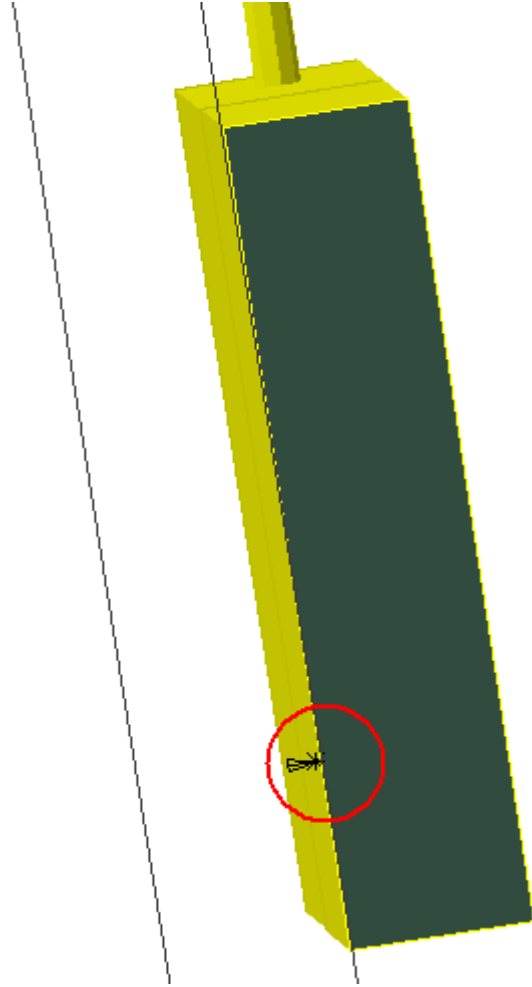
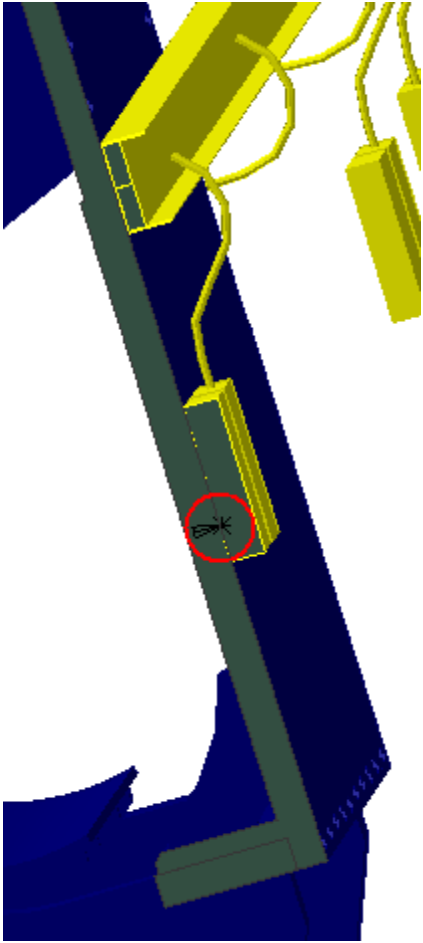
-0.8mm

Not inspected



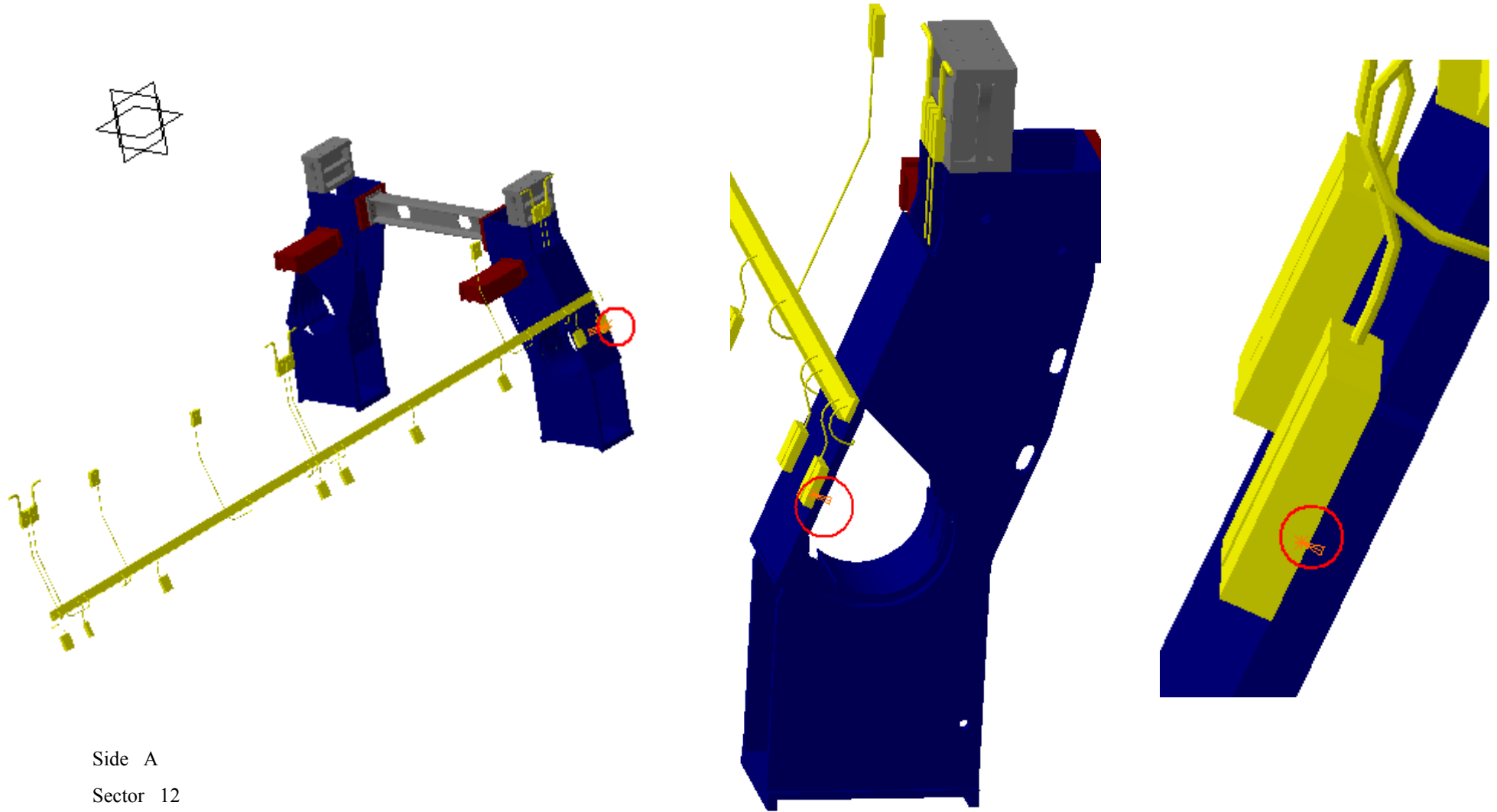
Side A  
Sector 12

# Clash View 1:





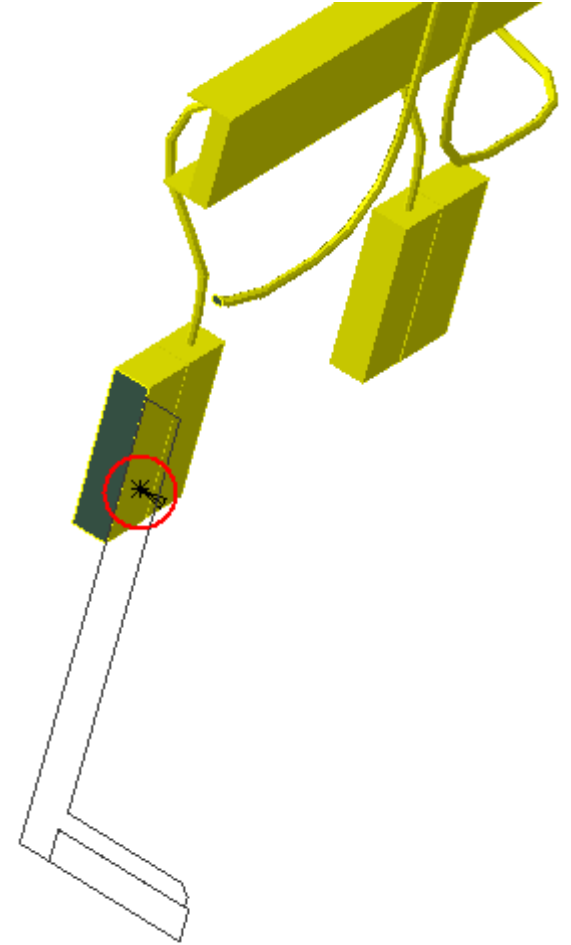
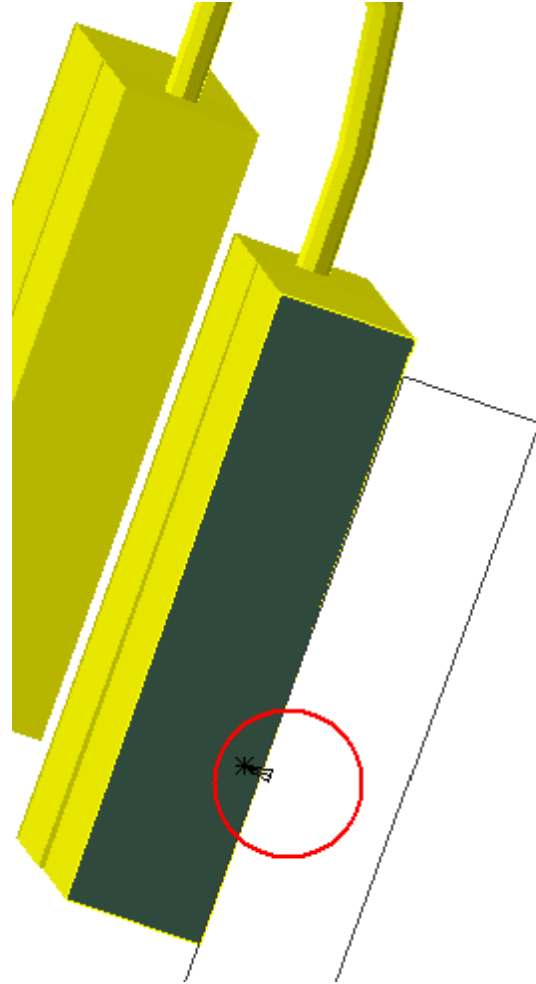
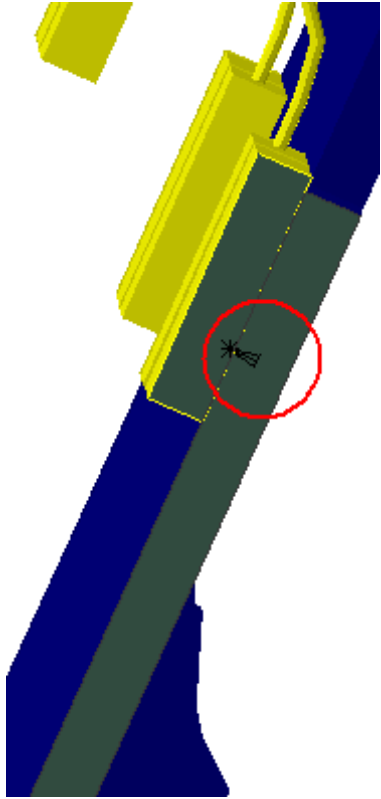
ATCNM_0015 BT HEATER BOXES AND CABLES - FOR FOOT REGION	ATCVHB_0004 STANDARD PAIR OF FEET A3 (C3) - DETAILED MODEL FOR STANDARDS	Clash	-0.8mm	Not inspected
---	--	-------	--------	---------------



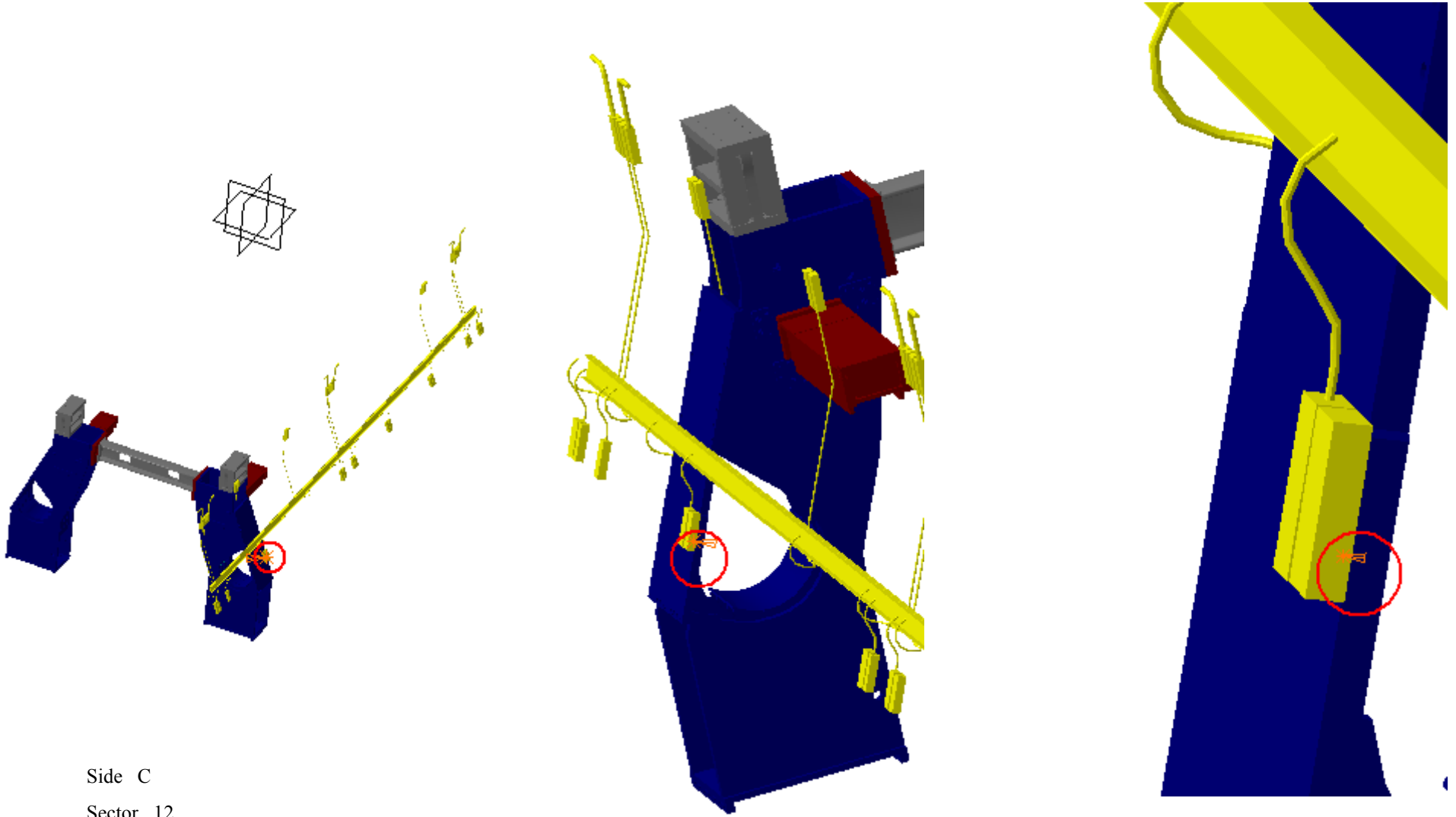
Side A

Sector 12

# Clash View 1:

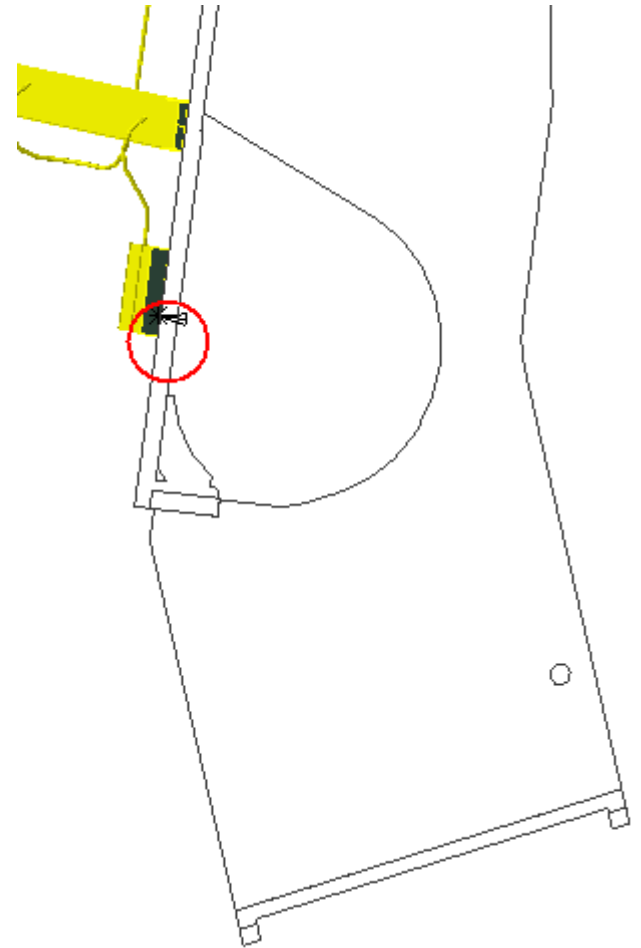
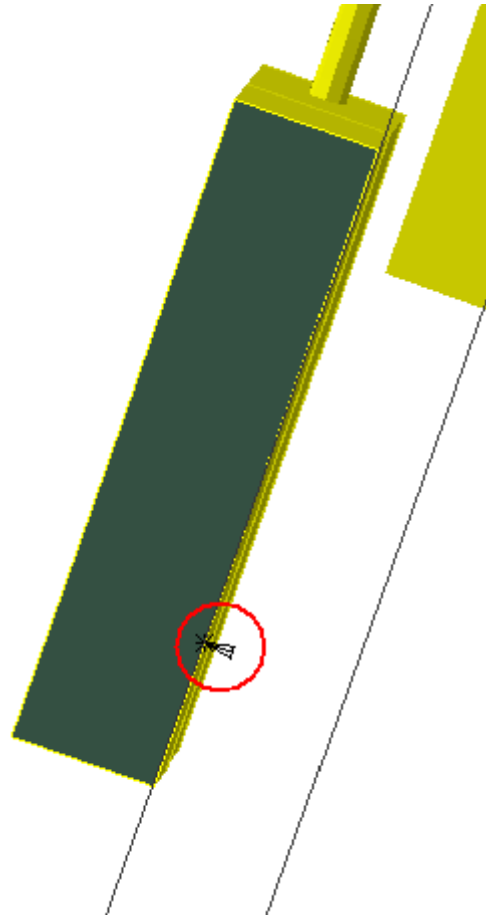
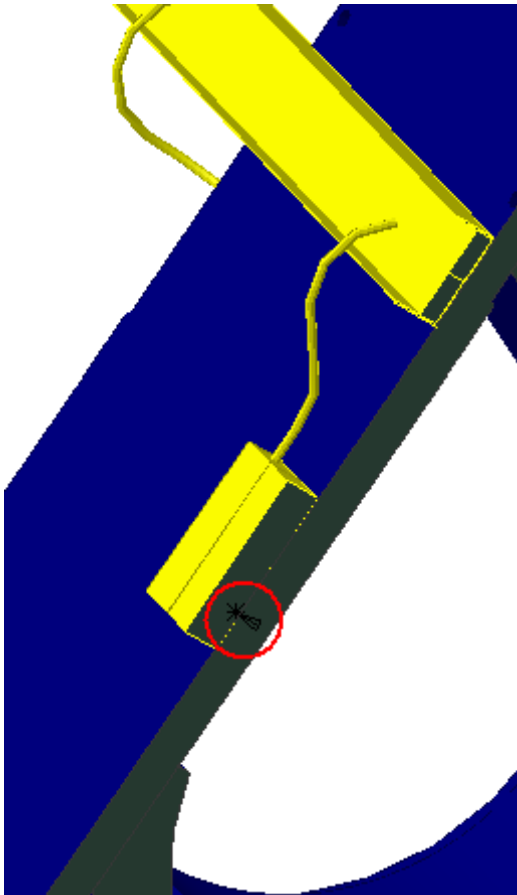


ATCSM_0015 BT HEATER BOXES AND CABLES - FOR FOOT REGION	ATCVHB_0003 M STANDARD PAIR OF FEET A2 (C2) - DETAILED MODEL FOR STANDARDS	Clash	-0.79mm	Not inspected
---	--	-------	---------	---------------



Side C  
Sector 12

# Clash View 1:



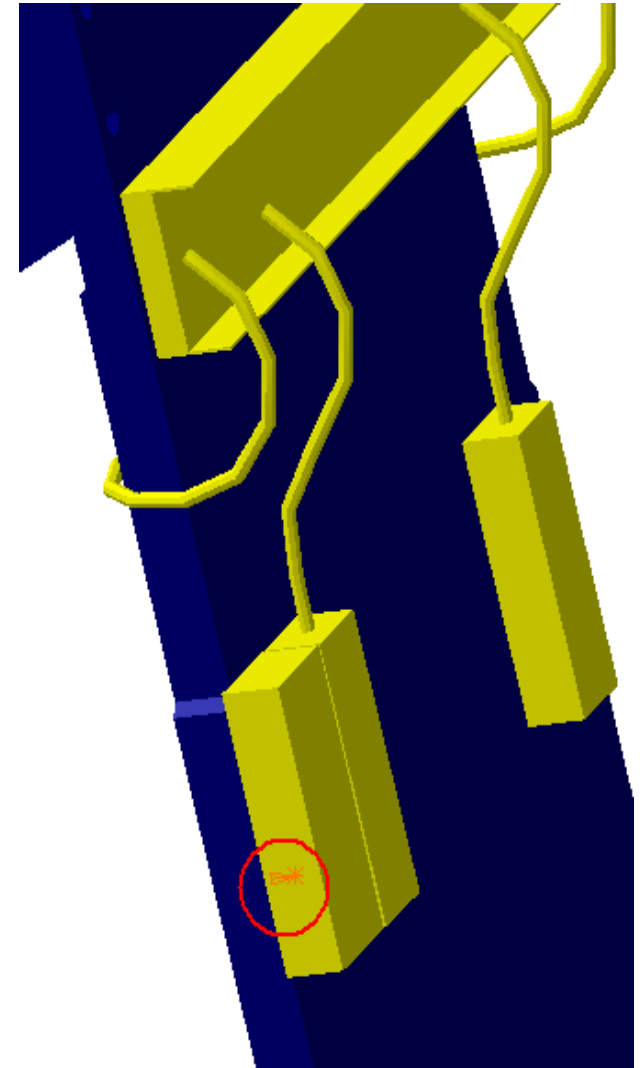
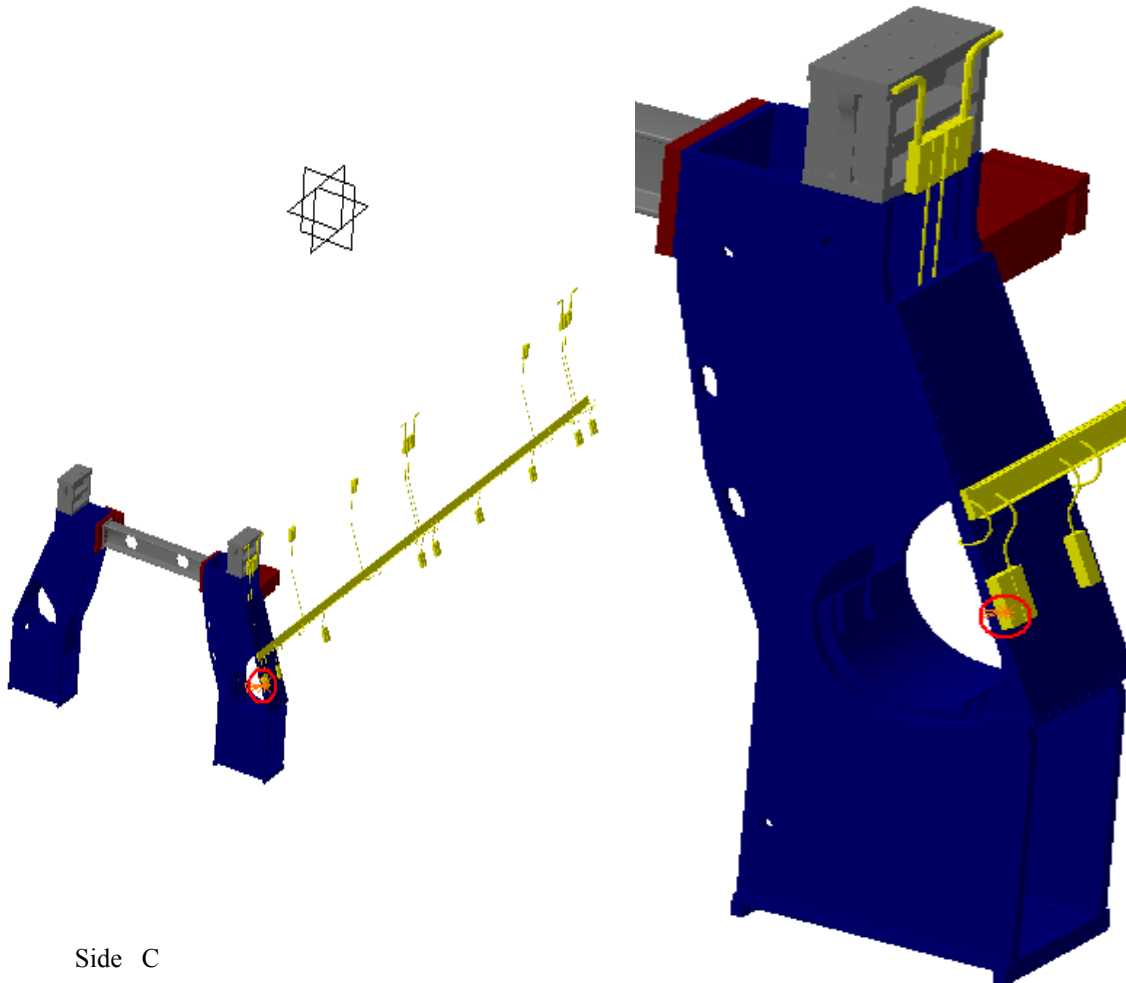
ATCNSM\_0015 BT HEATER BOXES  
AND CABLES - FOR FOOT REGION

ATCVHB\_0004 M STANDARD PAIR OF  
FEET A3 (C3) - DETAILED MODEL FOR  
STANDARDS

Clash

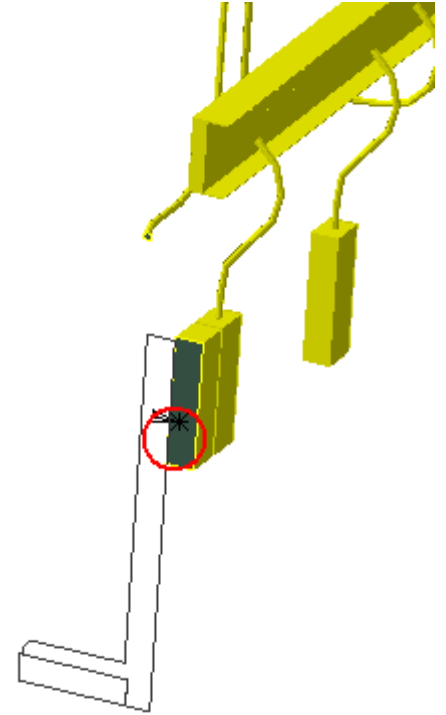
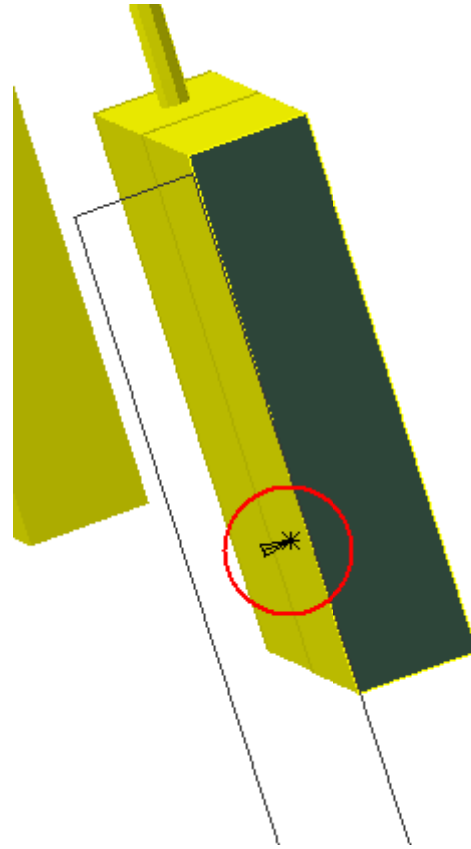
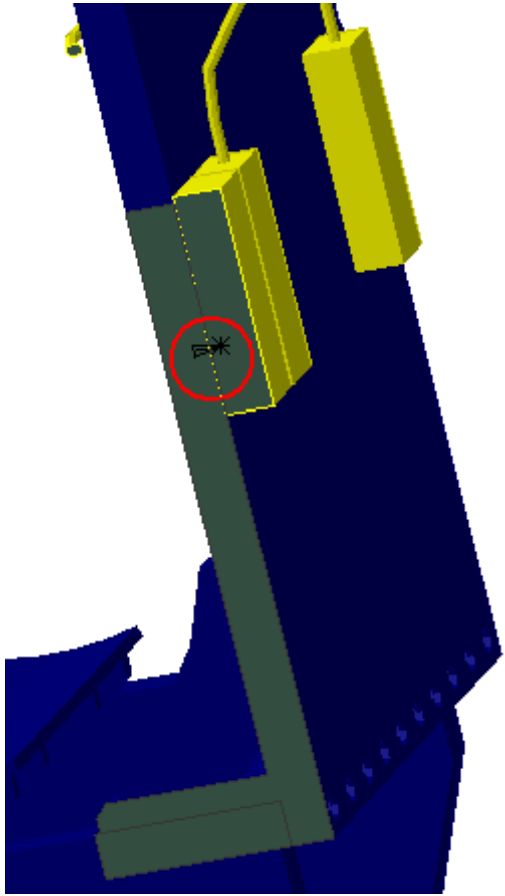
-0.79mm

Not inspected



Side C  
Sector 12

# Clash View 1:



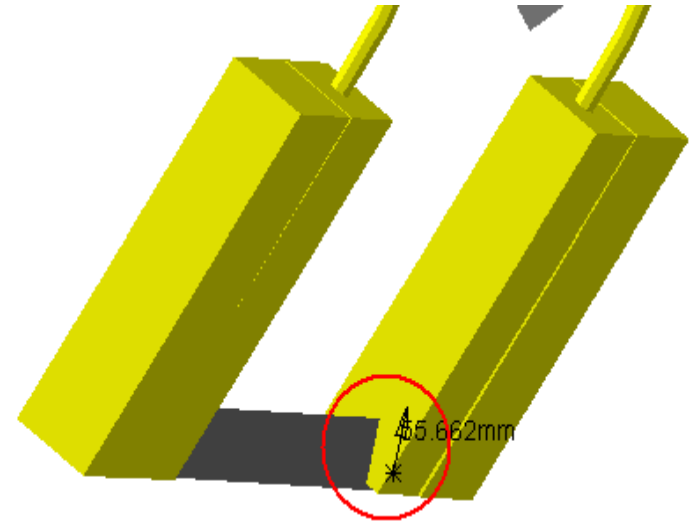
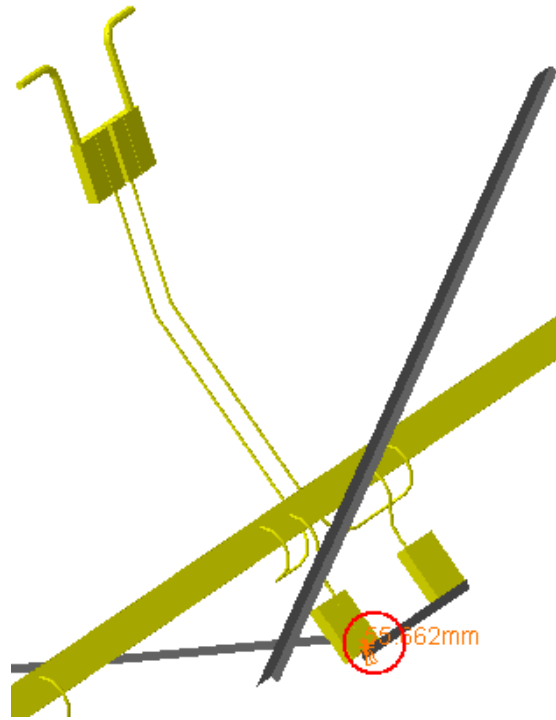
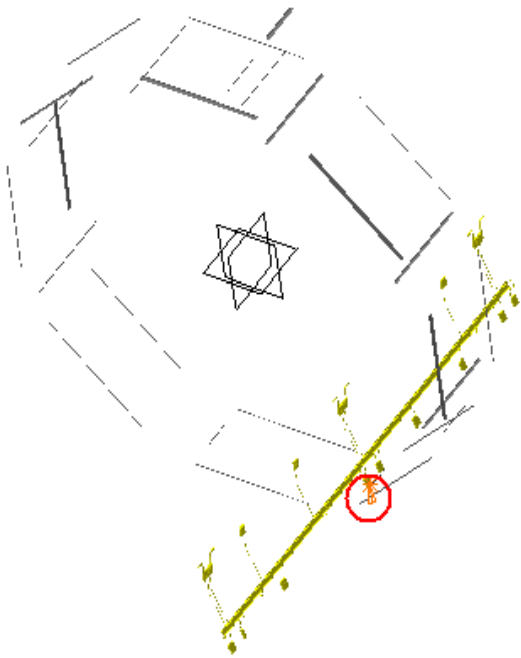
ATCNSM\_0015 BT HEATER BOXES  
AND CABLES - FOR FOOT REGION

ATCNSR\_0007 TB CABLE SERVICE -  
CABLE TRAYS

Clash

-55.66mm

Not inspected



Side C  
Sector 12

# Clash View 1:

