



Clash Publish

Clash Computation Specification			
Products Selected		Value	Status
NSM_0011 - TB VACUUM PIPE SYSTEM - SIDE C	AT592057MQ - SW & CABEL'S BRACKETS WITH CAINS	-34 mm	Not inspected
	AT632630MQ - ALIGNMENT BAR EIL4, SIDE C, SECTOR 5	-26.8 mm	Not inspected
	AT632635MQ - ALIGNMENT BAR EIL4, SIDE C, SECTOR 15	-35.9 mm	Not inspected
	NMA__0010 - END CAP ALIGNMENT SIDE "C" - SIMPLE 3-D MODEL	-25.7 mm	Not inspected
	NSR__0014 - CABLE TRAYS FOR MUON SERVICES - LEVEL 1 SECTOR 13 SIDE A,C	-45.8 mm	Not inspected

Computation Result:

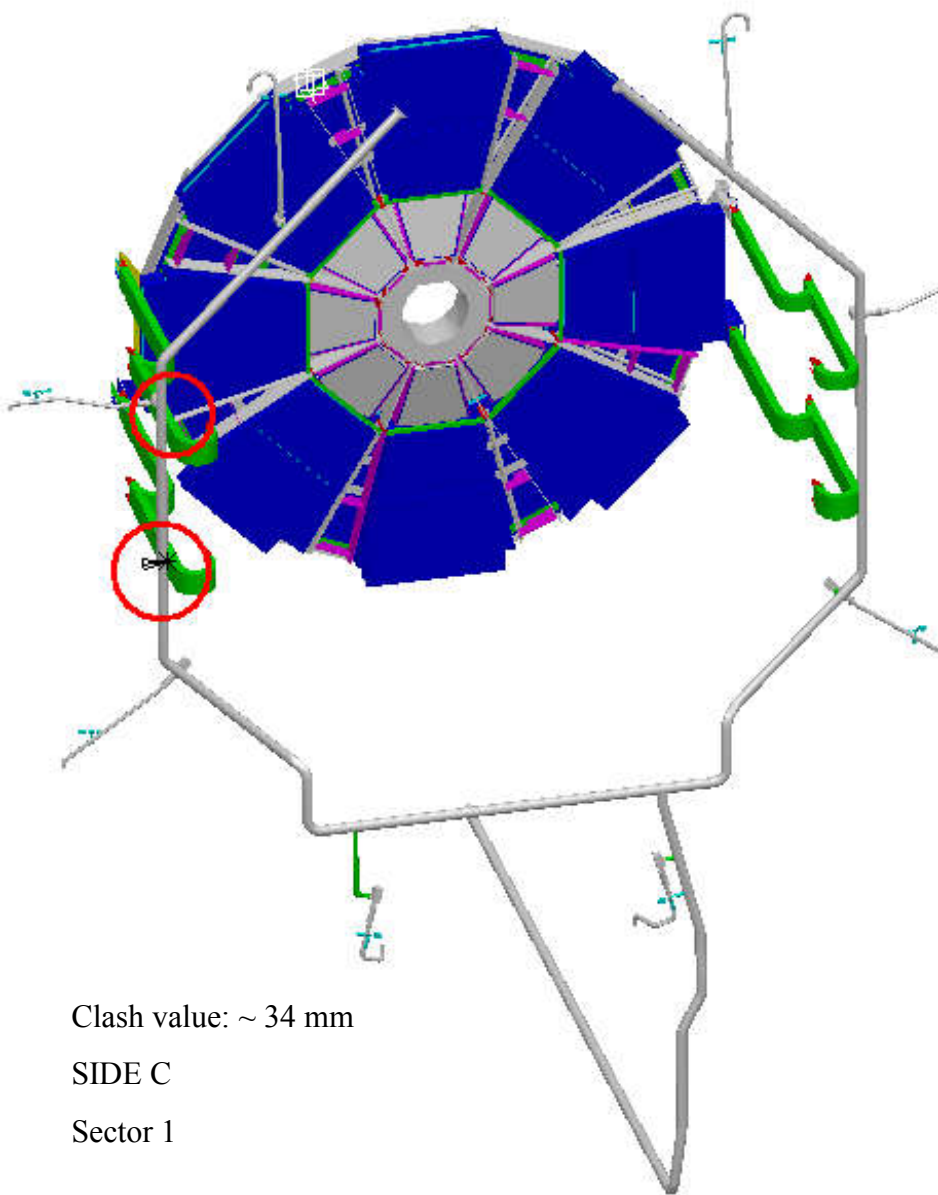
NSM_0011 - TB VACUUM PIPE SYSTEM -
SIDE C

AT592057MQ - SW & CABEL'S BRACKETS
WITH CAINS

Clash

-34 mm

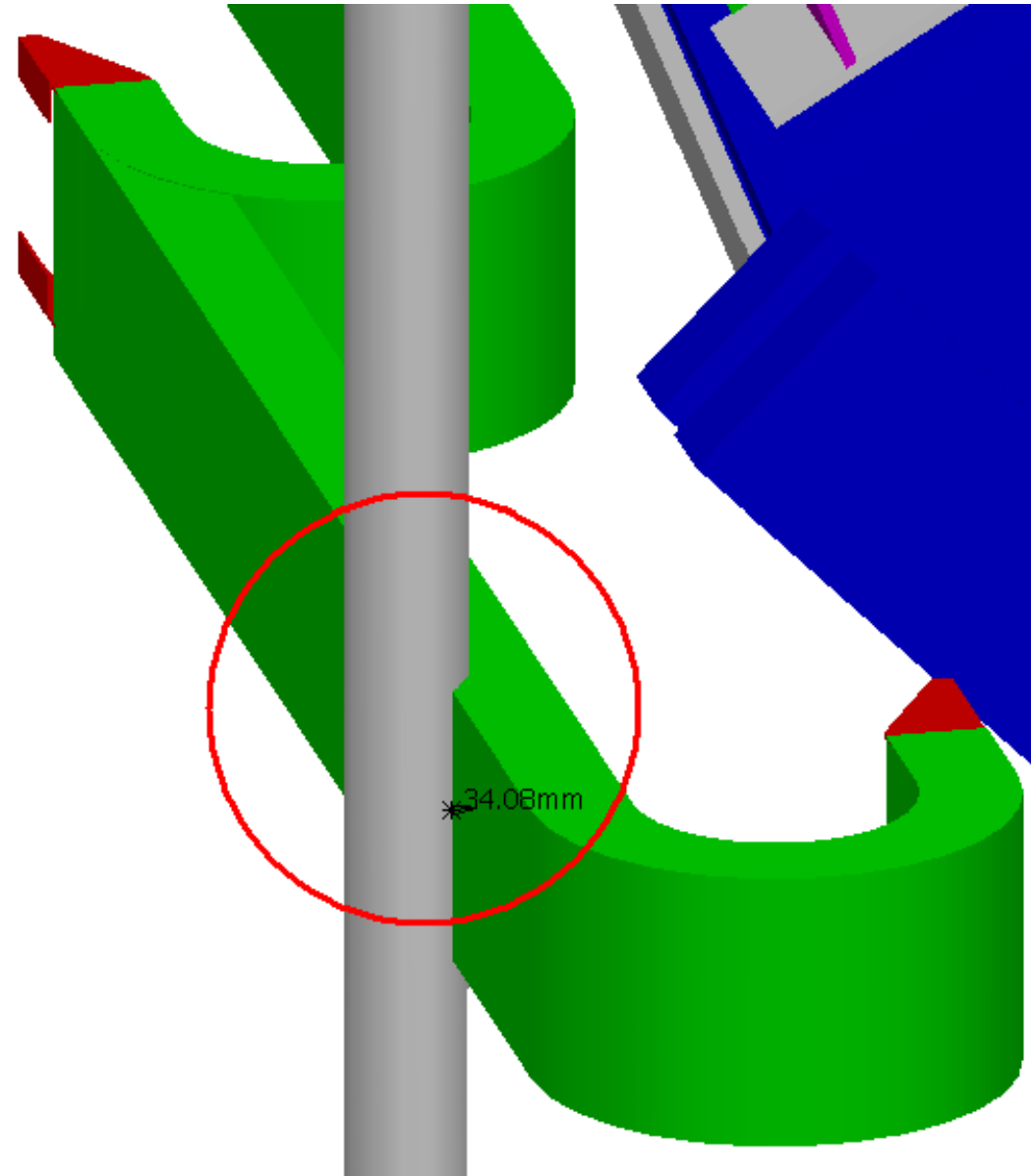
Not inspected



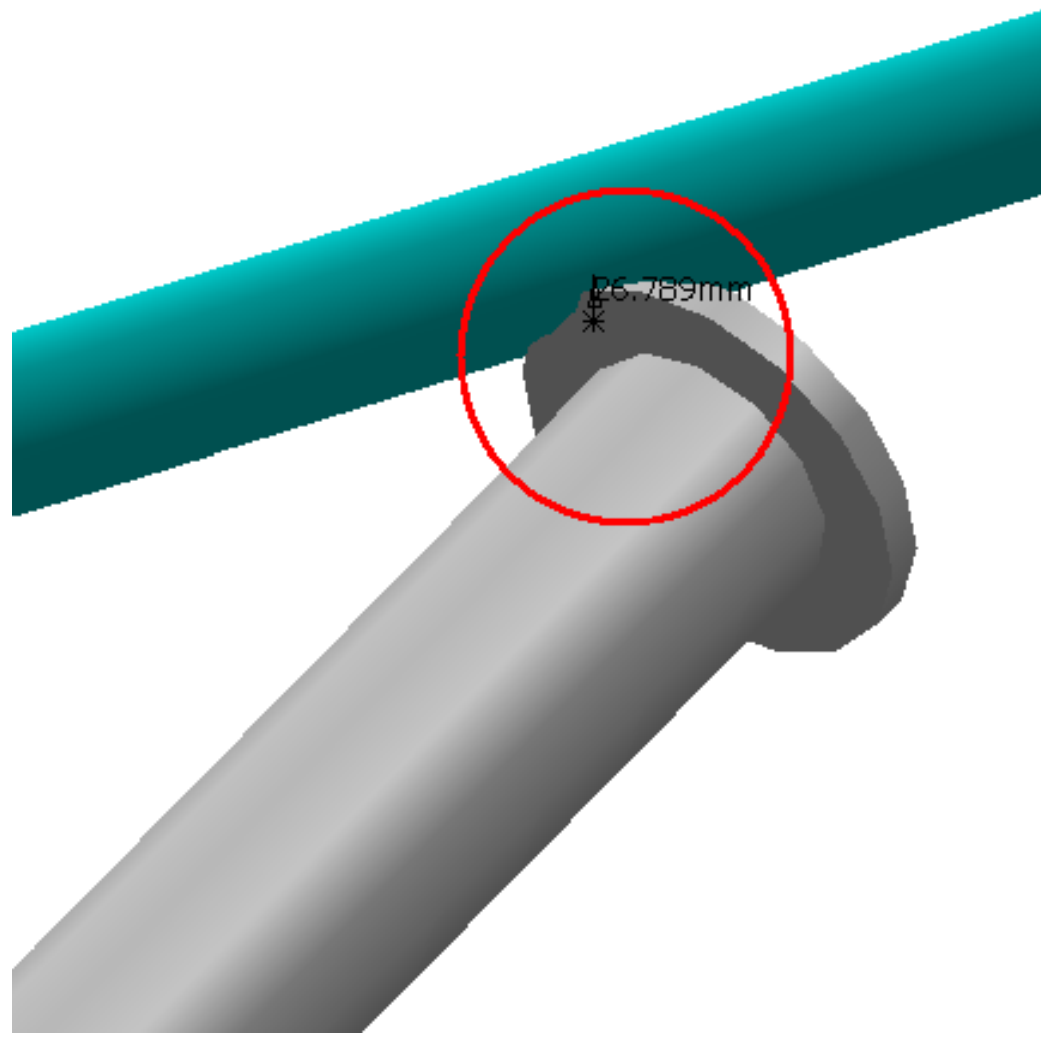
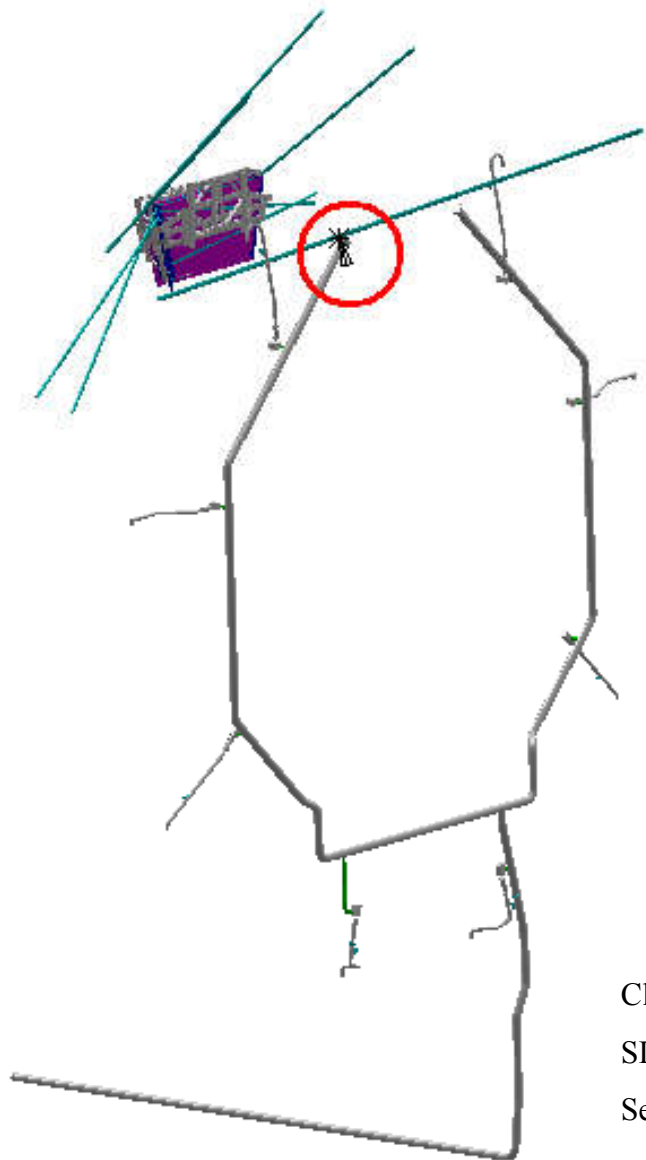
Clash value: ~ 34 mm

SIDE C

Sector 1



NSM_0011 - TB VACUUM PIPE SYSTEM - SIDE C	AT632630MQ - ALIGNMENT BAR EIL4, SIDE C, SECTOR 5	Clash	-26.8 mm	Not inspected
---	---	-------	----------	---------------



Clash value: ~ 26.8 mm
SIDE C
Sector 4

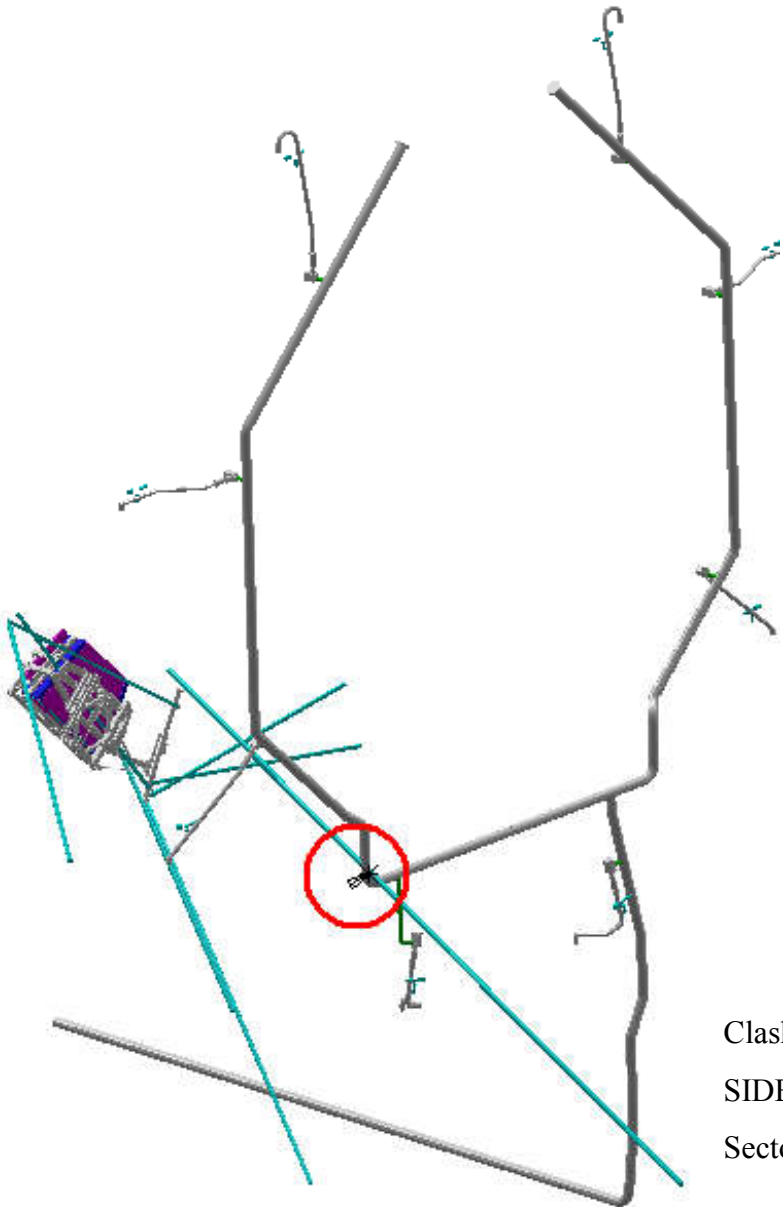
NSM_0011 - TB VACUUM PIPE SYSTEM -
SIDE C

AT632635MQ - ALIGNMENT BAR EIL4, SIDE C,
SECTOR 15

Clash

-35.9 mm

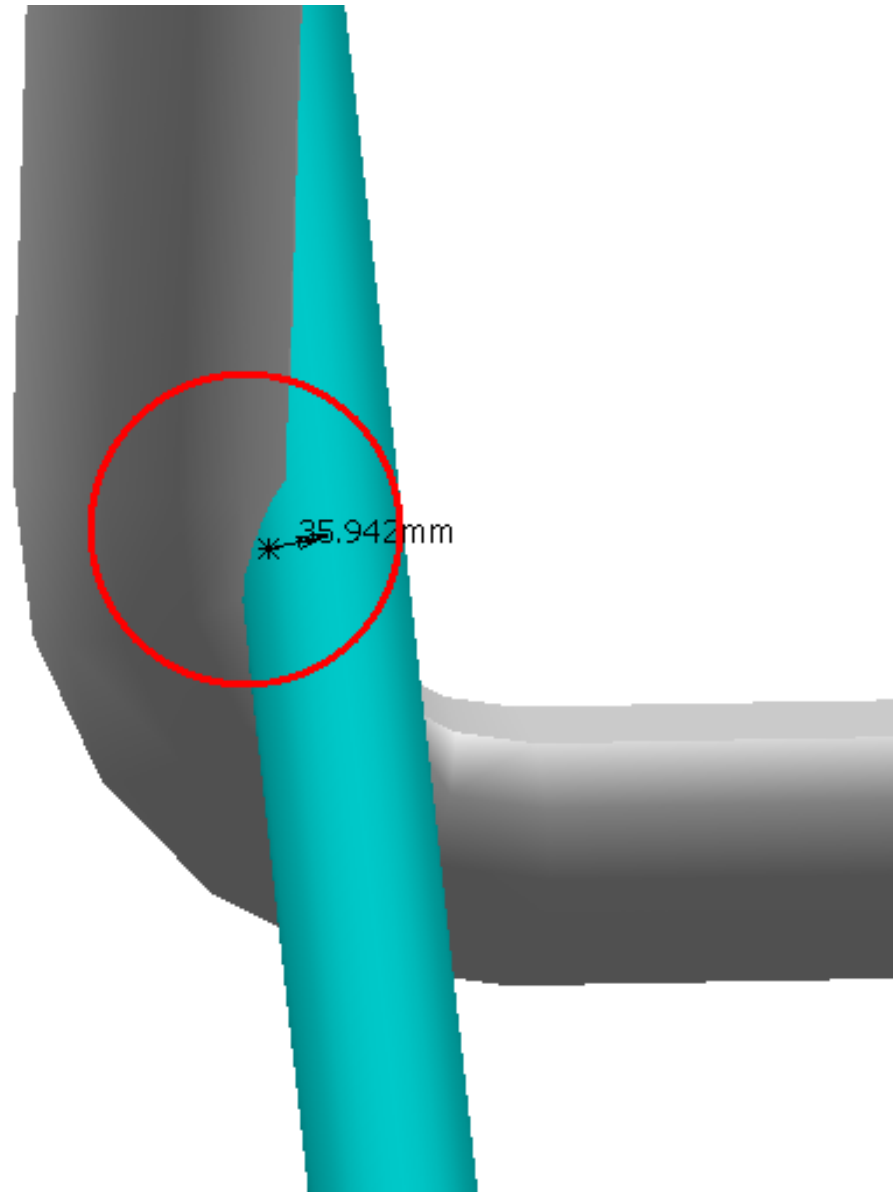
Not inspected



Clash value: ~ 35.9 mm

SIDE C

Sector 14



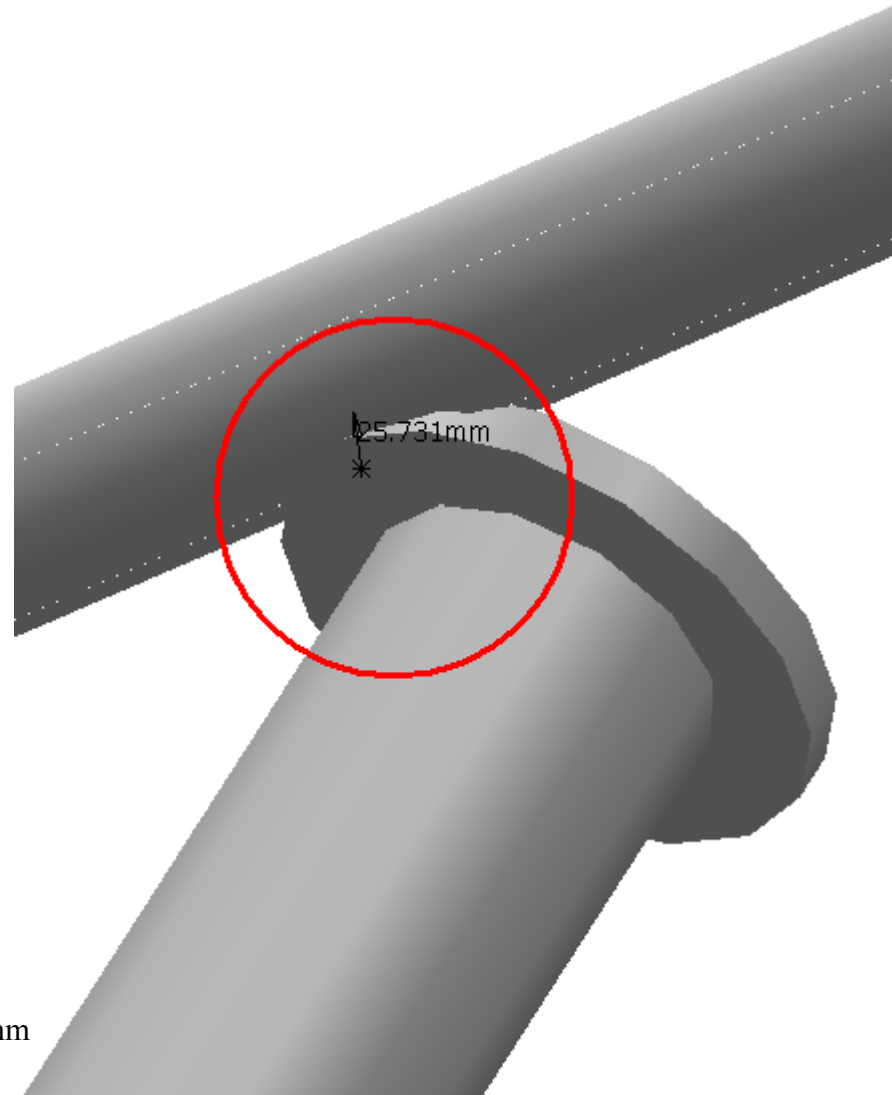
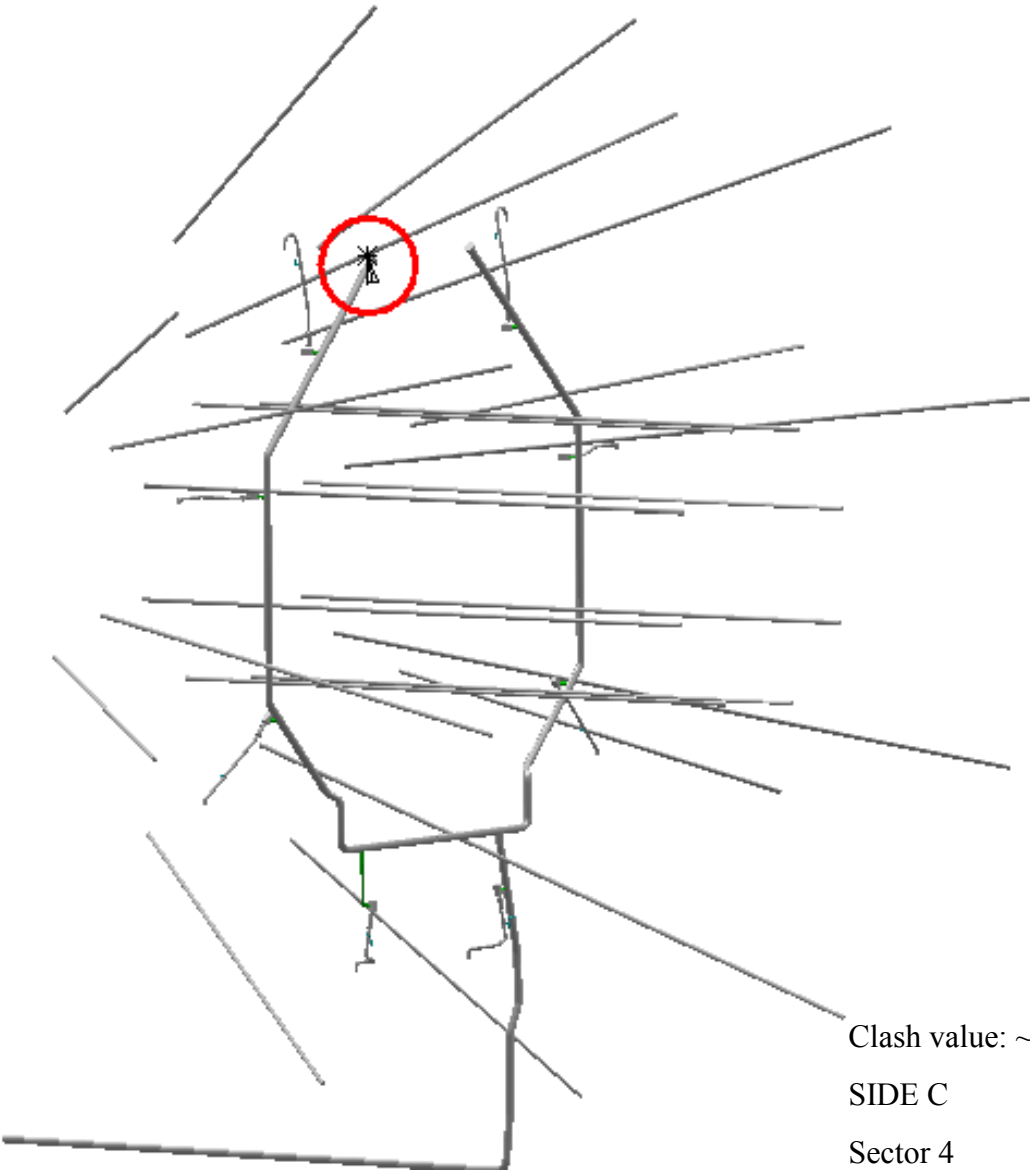
NSM_0011 - TB VACUUM PIPE SYSTEM -
SIDE C

NMA_0010 - END CAP ALIGNMENT SIDE "C" -
SIMPLE 3-D MODEL

Clash

-25.7 mm

Not inspected

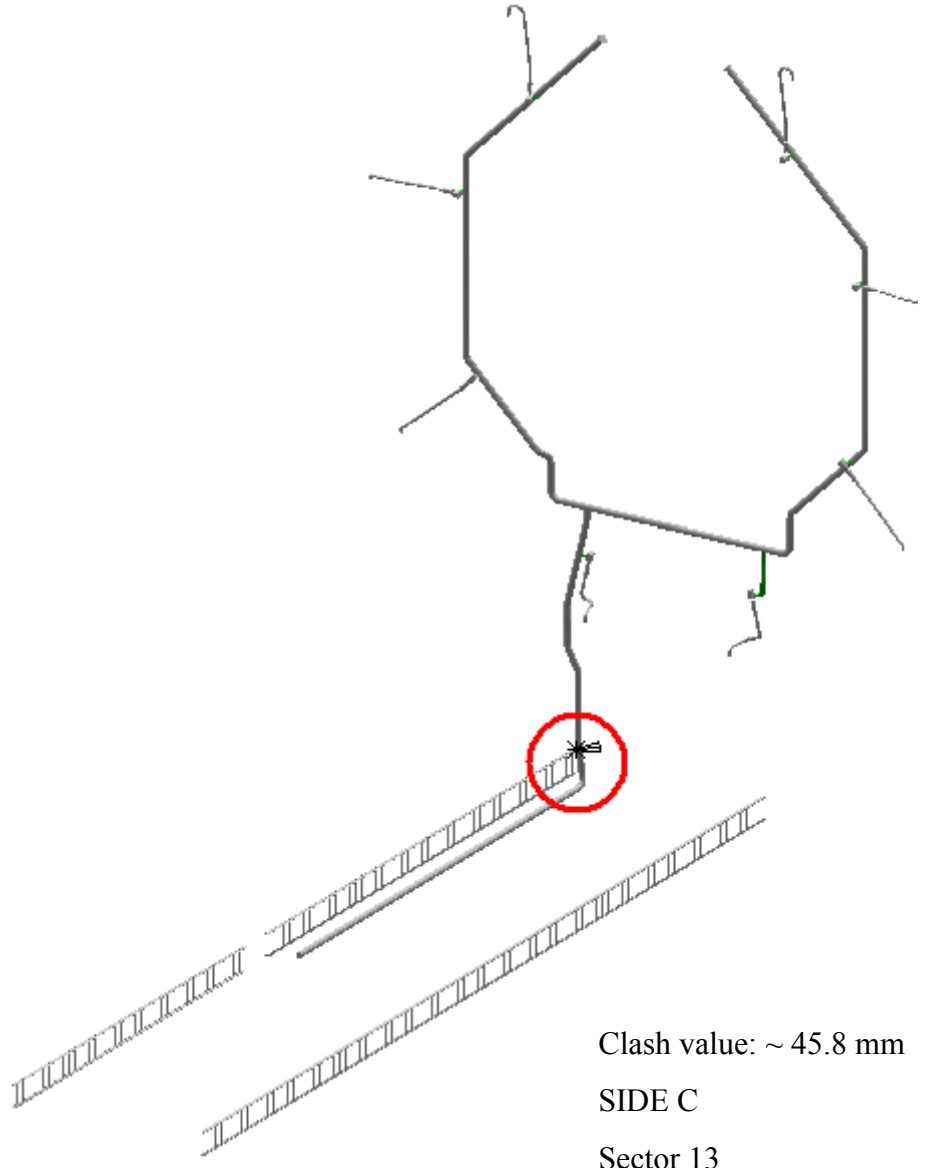


Clash value: ~ 25.7 mm

SIDE C

Sector 4

NSM_0011 - TB VACUUM PIPE SYSTEM - SIDE C	NSR_0014 - CABLE TRAYS FOR MUON SERVICES - LEVEL 1 SECTOR 13 SIDE A,C	Clash	-45.8 mm	Not inspected
---	---	-------	----------	---------------



Clash value: ~ 45.8 mm
SIDE C
Sector 13

