

Clearance Publish

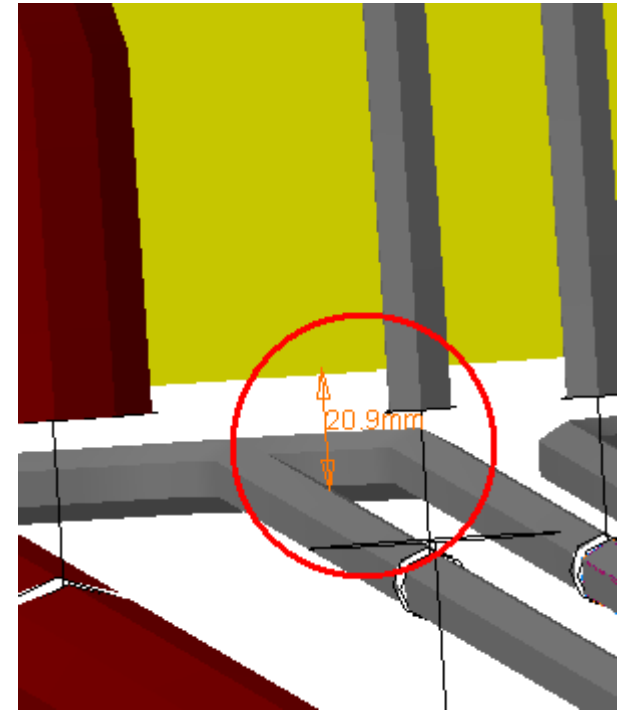
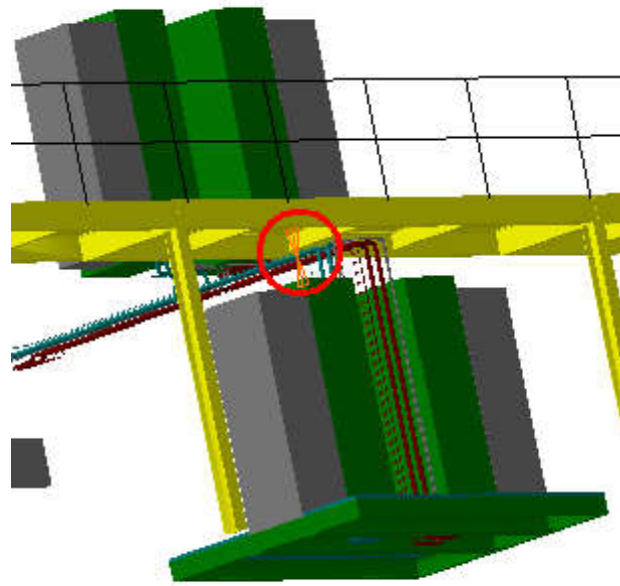
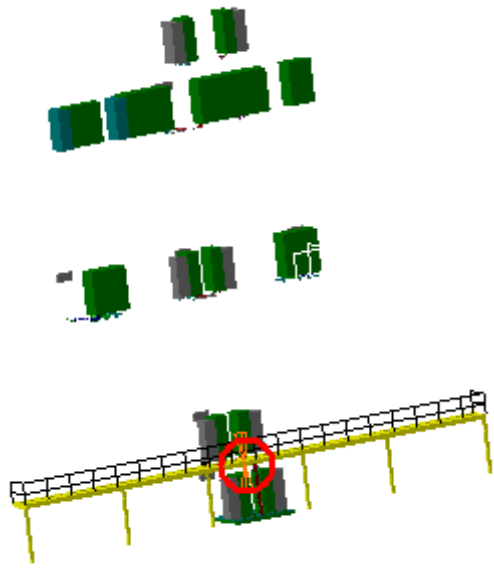
Clearance=50mm



Clearance Computation Specification			
Products Selected			
ATCNSG_0011 UX 15 - CAVERN US SIDE - PATCH- PANEL AND GAS RACKS	ATCNFH_0013 HS METALLIC STRUCTURE - SIDE US15 - LEVEL +2,77M EXTENSION	20.9	Not inspected
	ATCNSO_0009 UX 15 - CAVERN - TRT COOLING STATION AND PIPES	3.05	Not inspected
	ATCNSO_0010 UX 15 - CAVERN - ID CABLE COOLING STATION AND PIPES	0	Not inspected

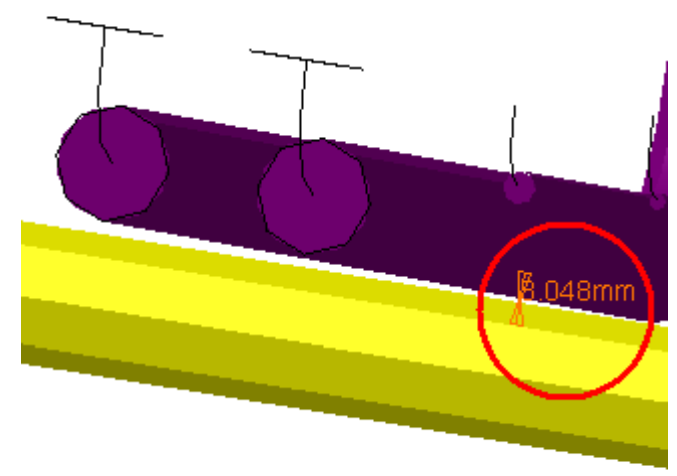
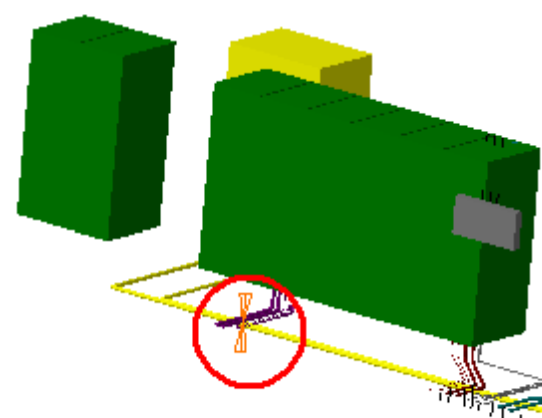
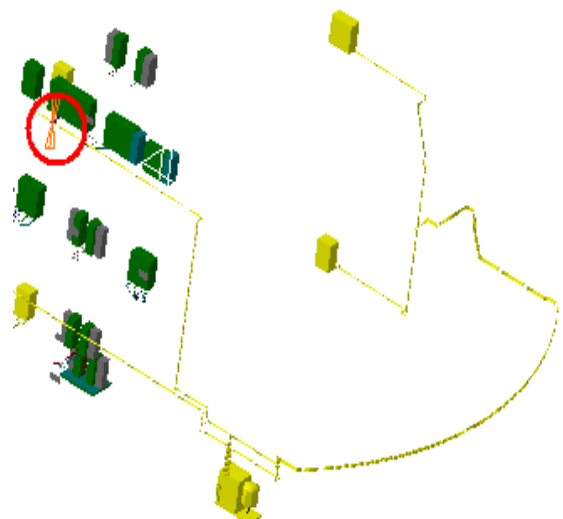
Computation Result:

ATCNSG_0011 UX 15 - CAVERN US SIDE - PATCH-PANEL AND GAS RACKS	ATCNFV_0007 ATLAS - UX15 CAVERN - 3126 - SUPPLY LOW AIR DUCTS SIDE US15	Vector coordinate $\Delta X \approx 0\text{mm}$ $\Delta Y \approx 20.9\text{mm}$ $\Delta Z \approx 0\text{mm}$	20.9mm	Not inspected
--	---	---	--------	---------------



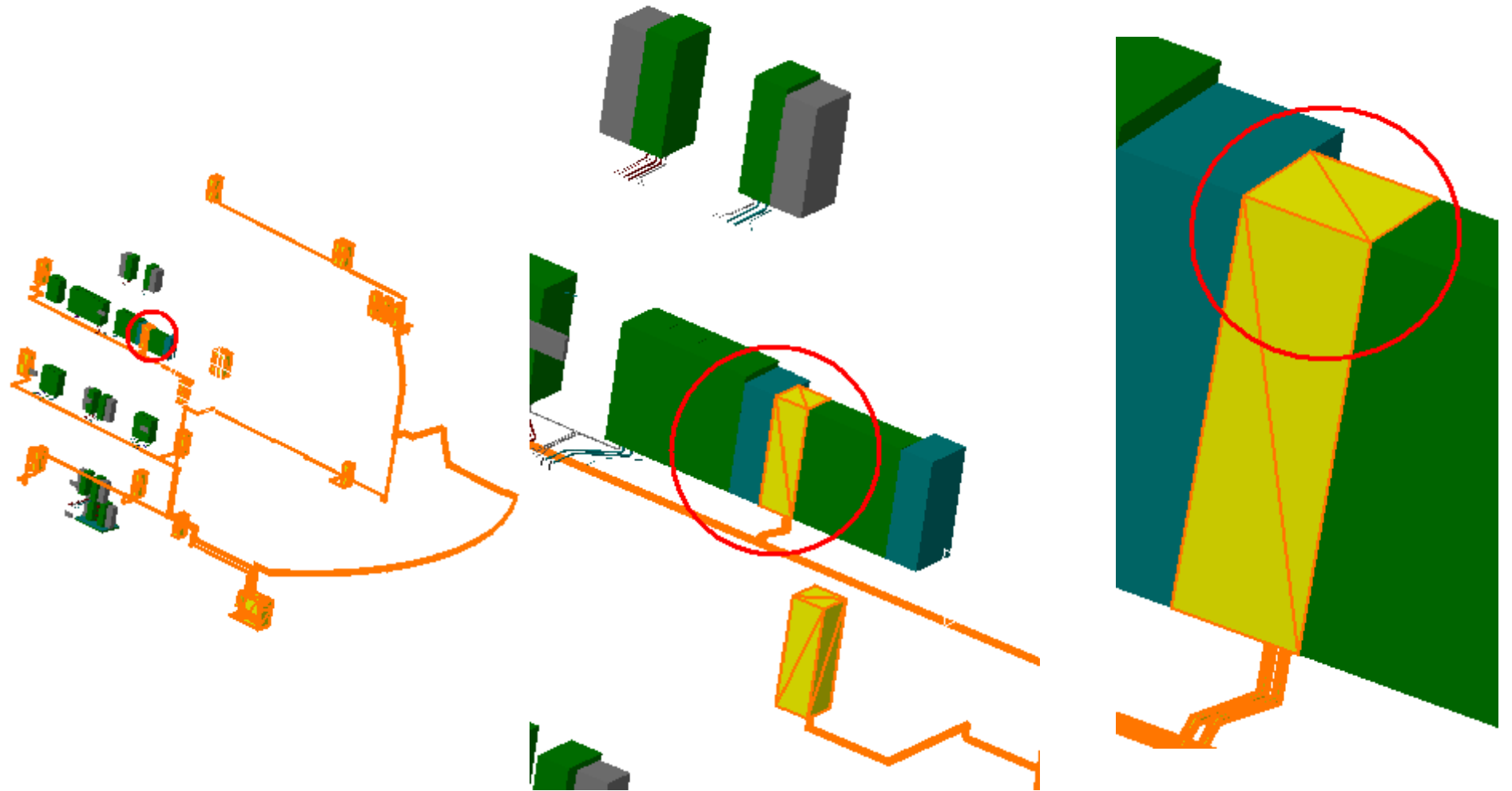
Side C
 Sector 15

ATCNSG_0011 UX 15 - CAVERN US SIDE - PATCH-PANEL AND GAS RACKS	ATCNFH_0012 HS METALLIC STRUCTURE - SIDE US15 - UPPER PART	Vector coordinate $\Delta X \approx 0\text{mm}$ $\Delta Y \approx -3.05\text{mm}$ $\Delta Z \approx 0\text{mm}$	3.05mm	Not inspected
--	--	--	--------	---------------



Side A
Sector 3

ATCNSG_0011 UX 15 - CAVERN US SIDE - PATCH-PANEL AND GAS RACKS	ATCNFO_0006 UX15 CAVERN - SURVEY - SURVEY BRACKETS ON WALL US15	Contact	0mm	Not inspected
--	---	---------	-----	---------------



Side C
Sector 3