

# Clash Publish



| Clash Computation Specification                                  |  |        |               |
|--|--|--------|---------------|
| Products Selected  |  |        |               |
| ATCNSG_0010 UX 15 -<br>CAVERN US SIDE - GAS<br>PIPES DITRIBUTION | ATCNFH_0011 HS METALLIC STRUCTURE - SIDE US15 - LOWER PART     | -15.85 | Not inspected |
|  | ATCNSG_0009 UX 15 - 1/2 CAVERN A SIDE - GAS PIPES ROUTING      | -0.07  | Not inspected |
|  | ATCNSG_0011 UX 15 - CAVERN US SIDE - PATCH-PANEL AND GAS RACKS | -47.9  | Not inspected |
|  | ATCNSG_0012 UX 15 - 1/2 CAVERN C-US SIDE - GAS PIPE ROUTING    | -0.04  | Not inspected |

**Computation Result:**

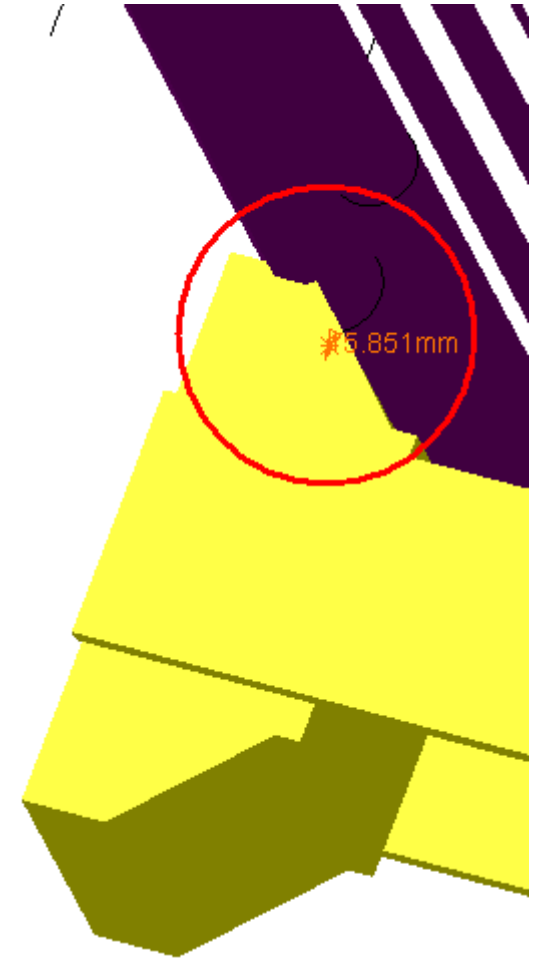
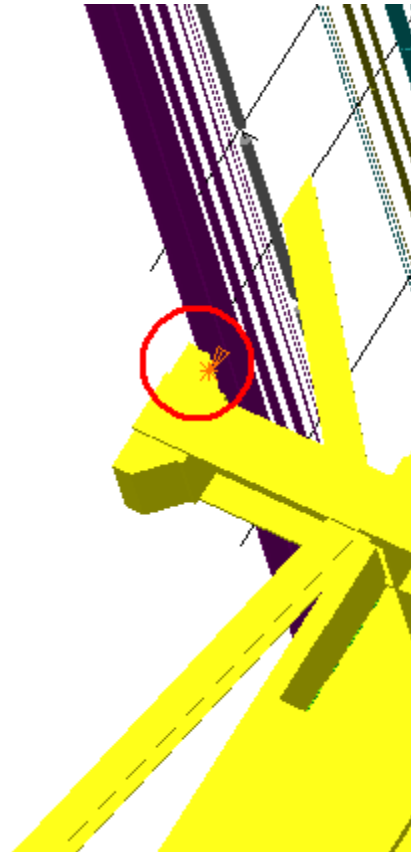
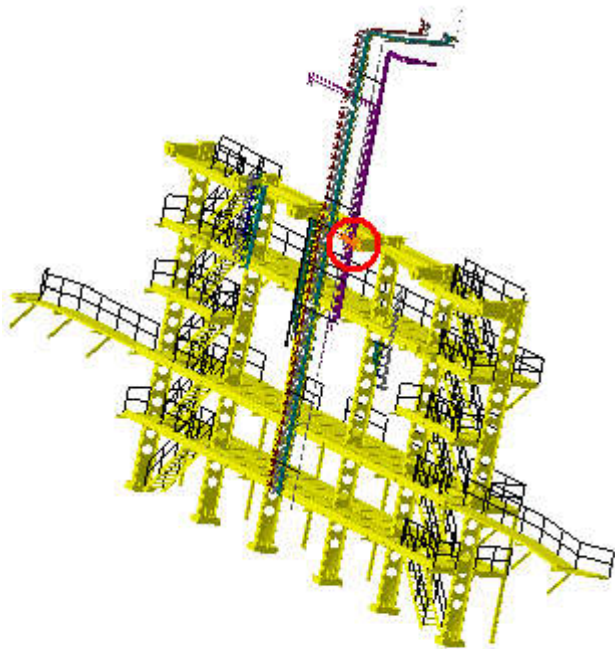
ATCNSG\_0010 UX 15 - CAVERN US SIDE - GAS  
PIPES DISTRIBUTION

ATCNFH\_0011 HS METALLIC  
STRUCTURE - SIDE US15 - LOWER PART

Clash

-15.85mm

Not inspected



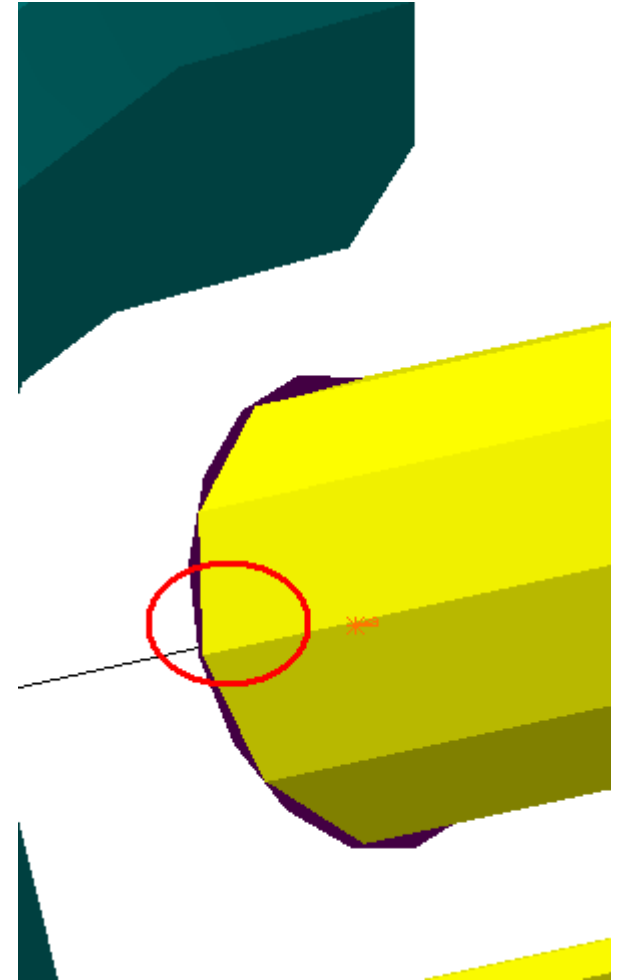
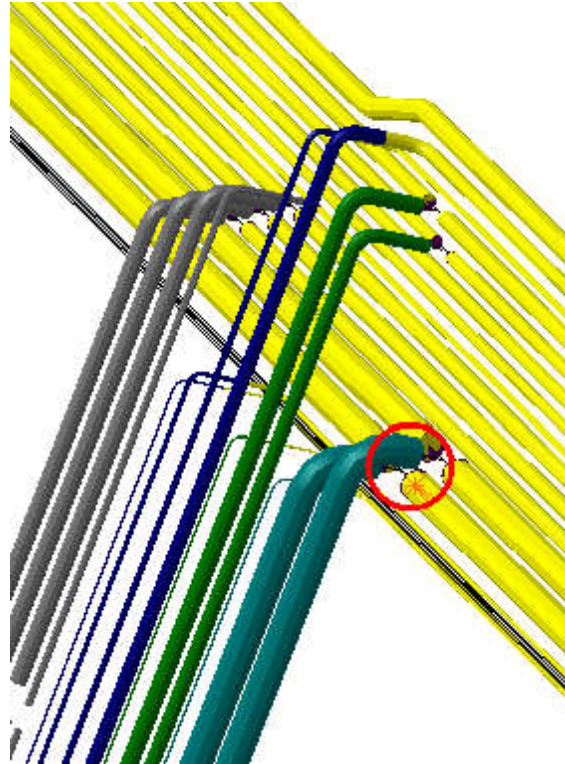
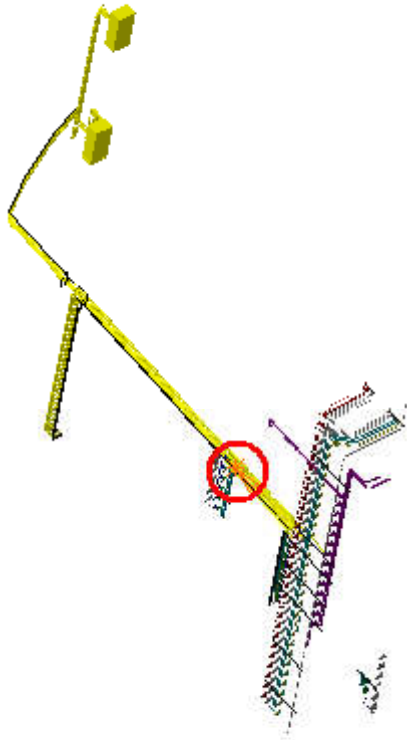
ATCNSG\_0010 UX 15 - CAVERN US SIDE - GAS  
PIPES DITRIBUTION

ATCNSG\_0009 UX 15 - 1/2 CAVERN A SIDE -  
GAS PIPES ROUTING

Clash

-0.07mm

Not inspected



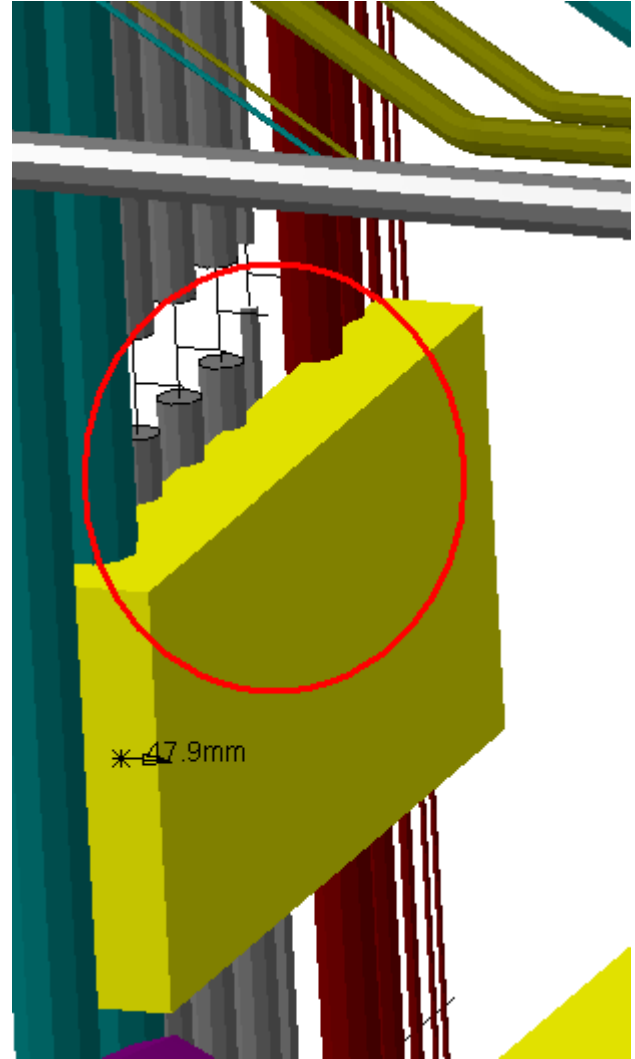
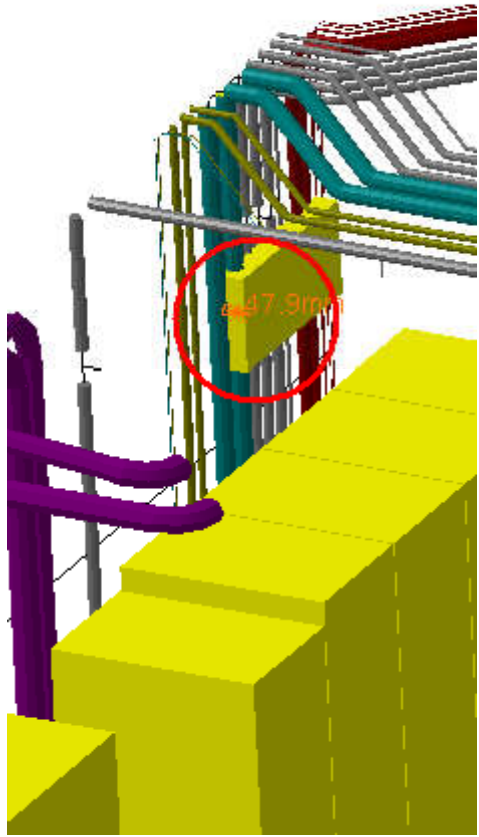
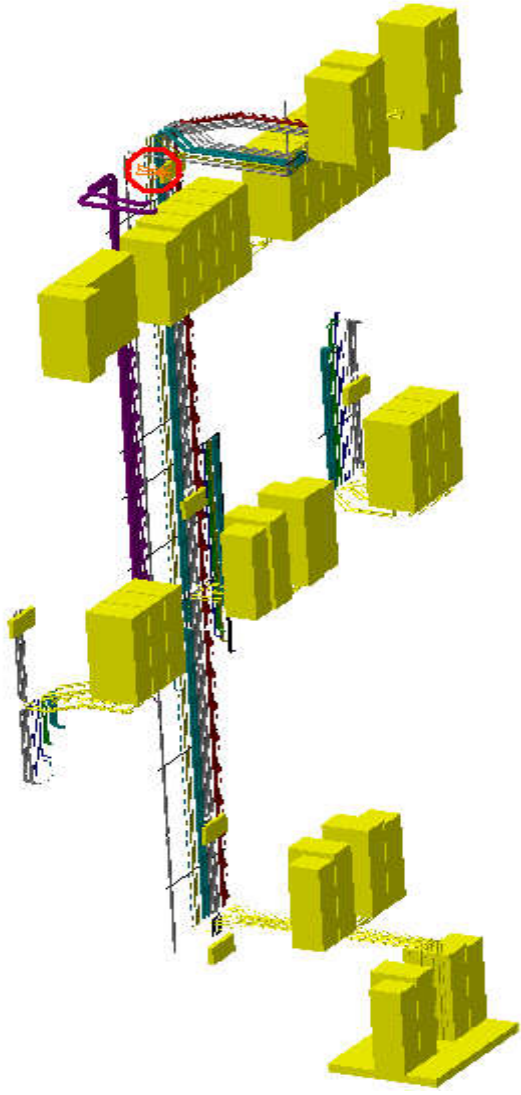
ATCNSG\_0010 UX 15 - CAVERN US SIDE - GAS  
PIPES DITRIBUTION

ATCNSG\_0011 UX 15 - CAVERN US SIDE -  
PATCH-PANEL AND GAS RACKS

Clash

-47.9mm

Not inspected



ATCNSG\_0010 UX 15 - CAVERN US SIDE - GAS  
PIPES DISTRIBUTION

ATCNSG\_0012 UX 15 - 1/2 CAVERN C-US  
SIDE - GAS PIPE ROUTING

Clash

-0.04mm

Not inspected

