



# Clash Publish

REVISED  
25/04/2005

Clash Computation Specification		
Products Selected		
NSE_0006 - FLEXIBLE CHAINS IN SECTOR 15 FOR - LAR END-CAP CALORIMETER	ATCNLE_0002 LE END-CAP CALORIMETER - SIDE A ATCNLE_0001 END-CAP CALORIMETER - SUPPORT SADDLE - SIDE C ATCNLB_0002 LB TILE CALORIMETER - SIMPLIFIED 3-D OBJECT	0.14 0.14 0.04

## Computation Result:

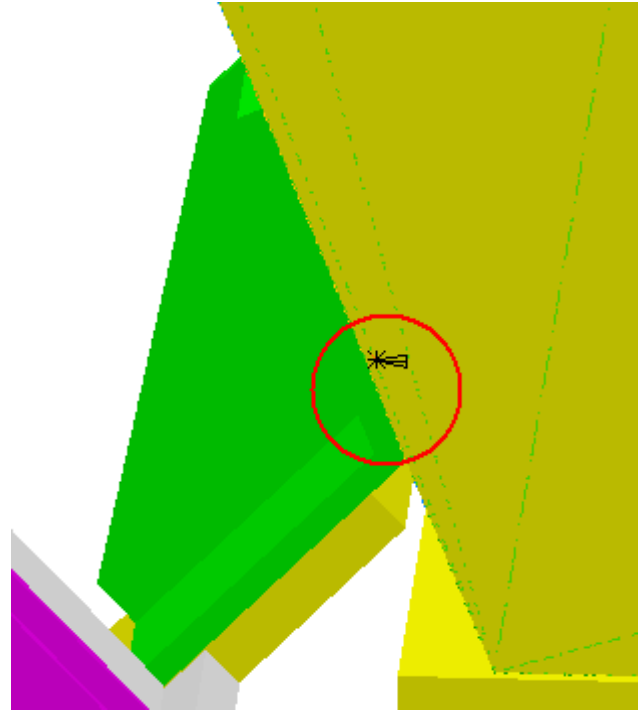
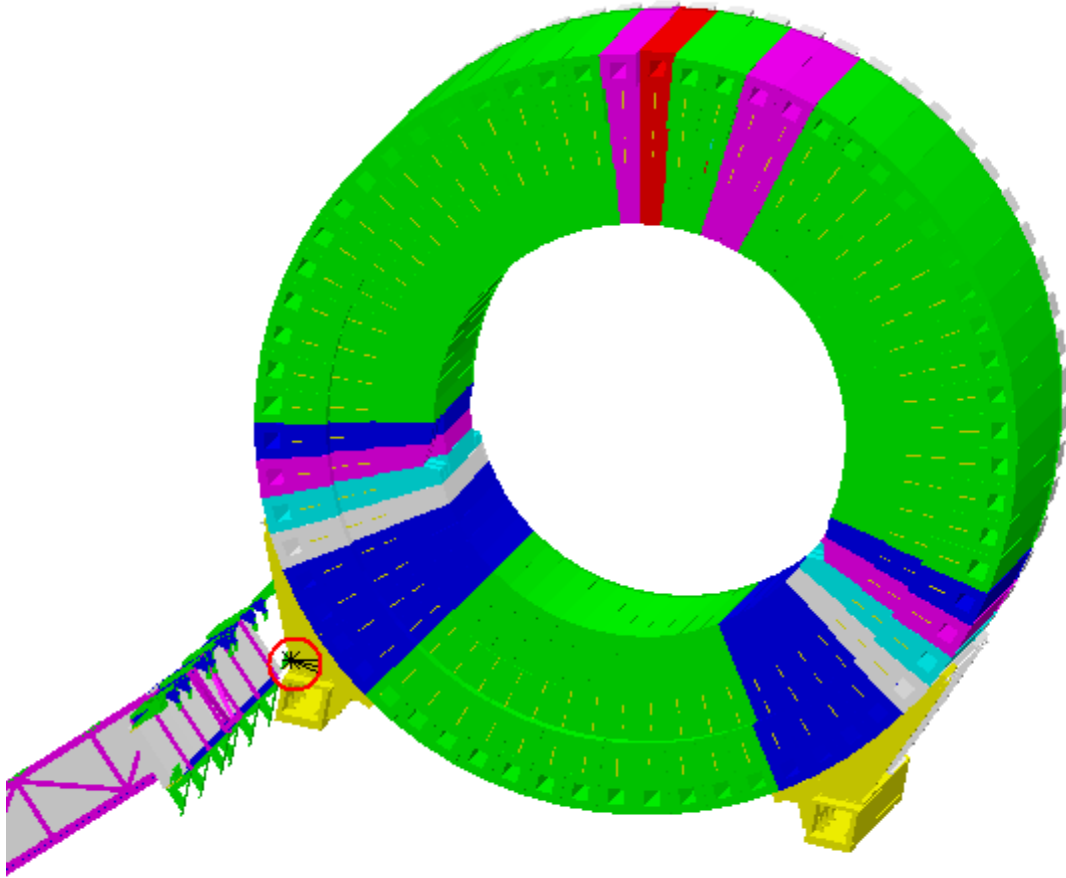
# Clash Publish



Clash Computation Specification	
Products Selected	
NSE_0006 -FLEXIBLE CHAINS IN SECTOR 15 FOR - LAR END-CAP CALORIMETER	ATCNLE_0002 LE END-CAP CALORIMETER - SIDE A

**Computation Result:**

NSE_0006	ATCNLE_0002	Clash	0.14mm	Not Relevant
----------	-------------	-------	--------	--------------

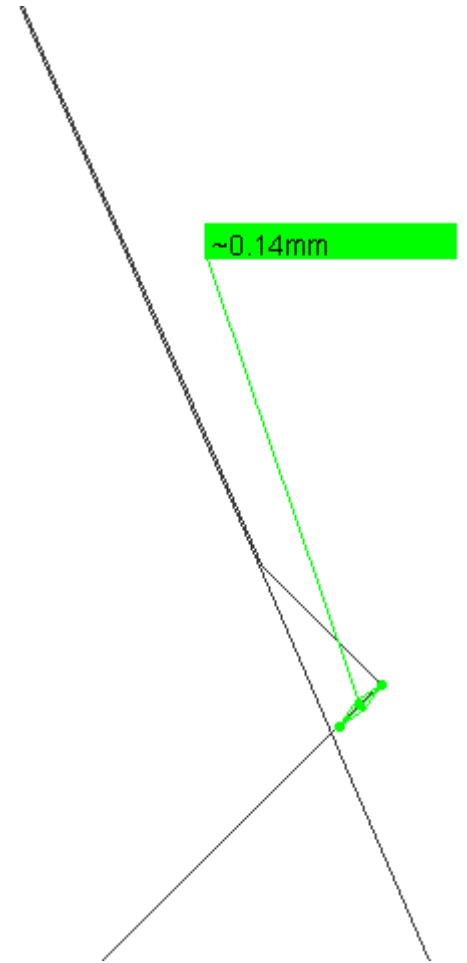
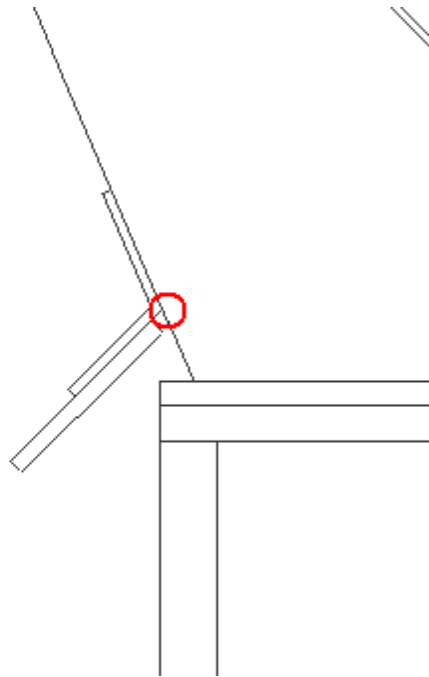
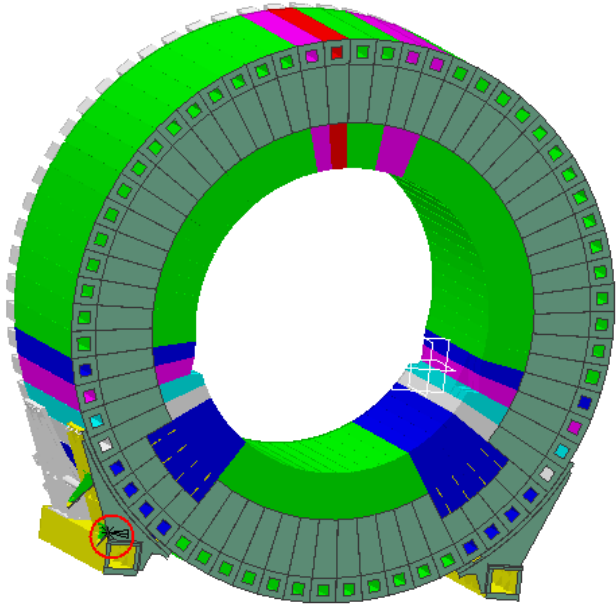


Clash=0.14mm

Side A

Sector 15

# Clash View 1:



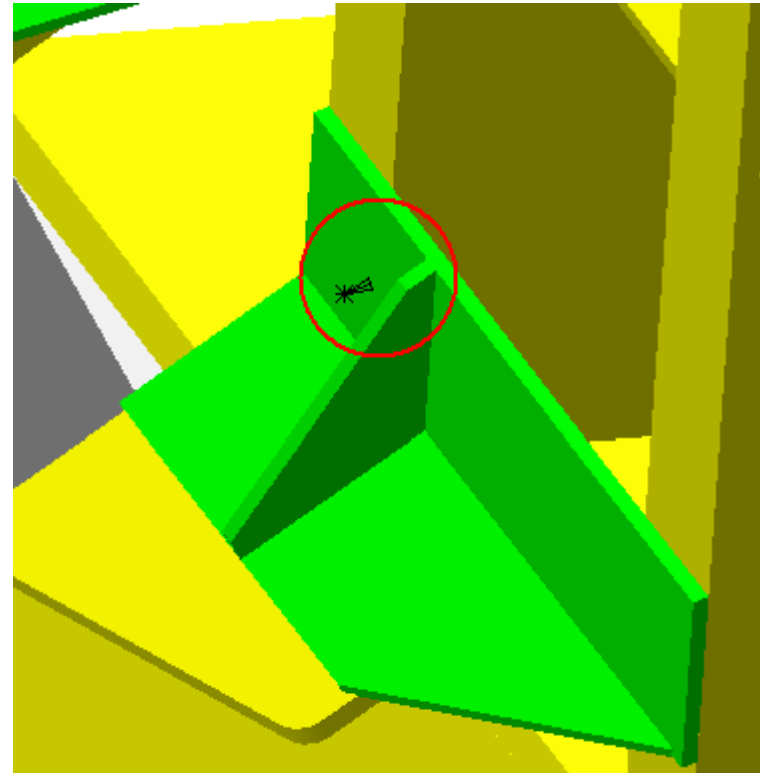
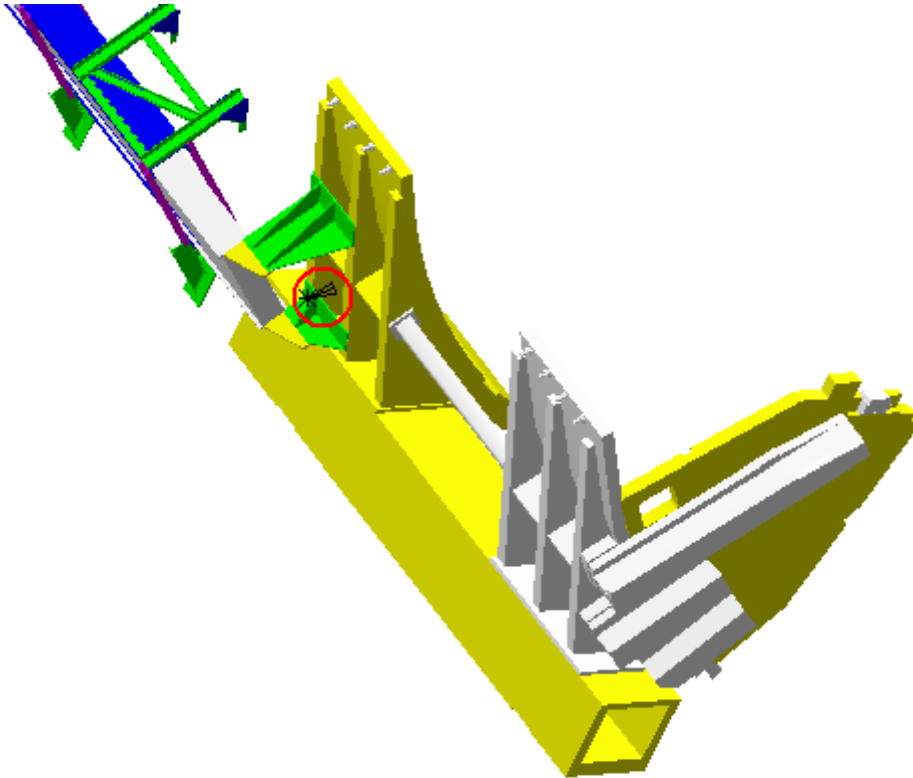
# Clash Publish



Clash Computation Specification	
Products Selected	
NSE_0006 -FLEXIBLE CHAINS IN SECTOR 15 FOR - LAR END-CAP CALORIMETER	ATCNLE_0001 END-CAP CALORIMETER - SUPPORT SADDLE - SIDE C

**Computation Result:**

NSE_0006	ATCNLE_0001	Clash	0.14mm	Not Relevant
----------	-------------	-------	--------	--------------

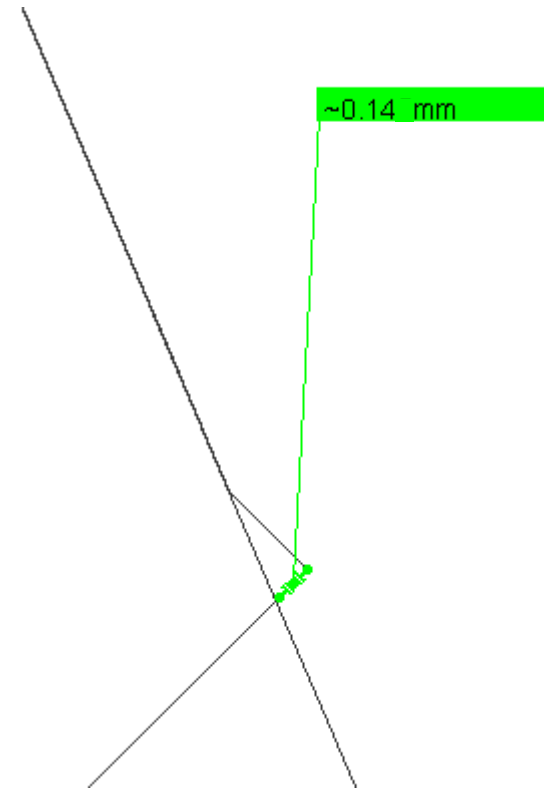
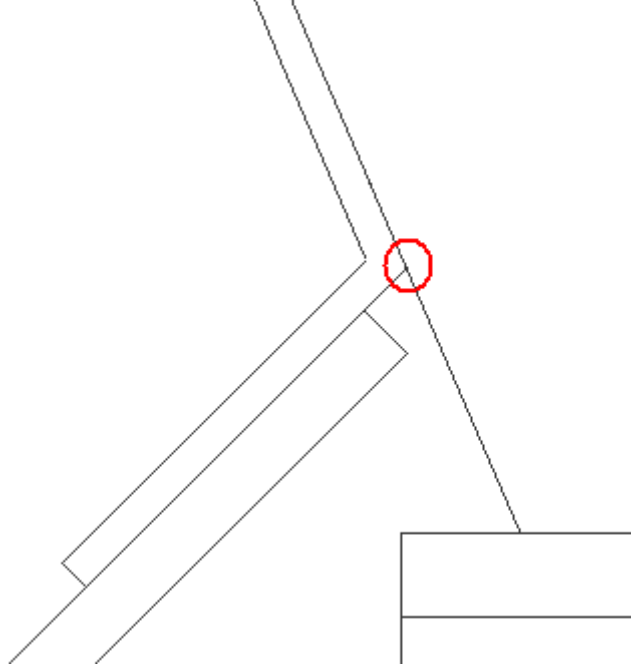
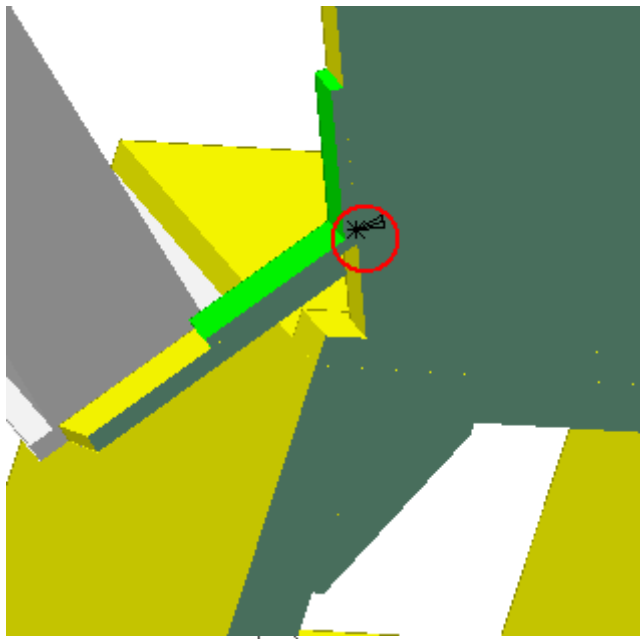


Clash=0.14mm

Side C

Sector 15

# Clash View 1:



# Clash Publish

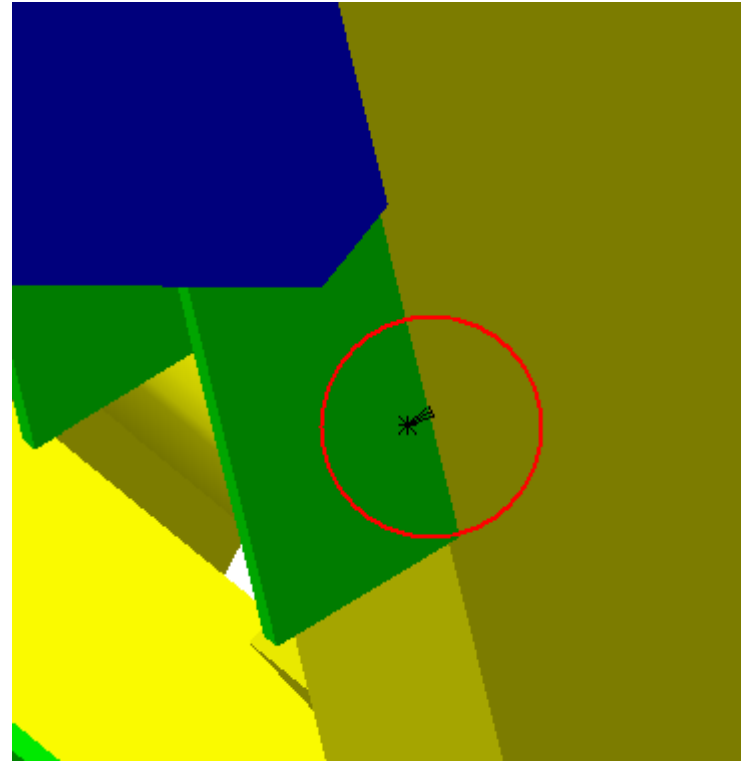
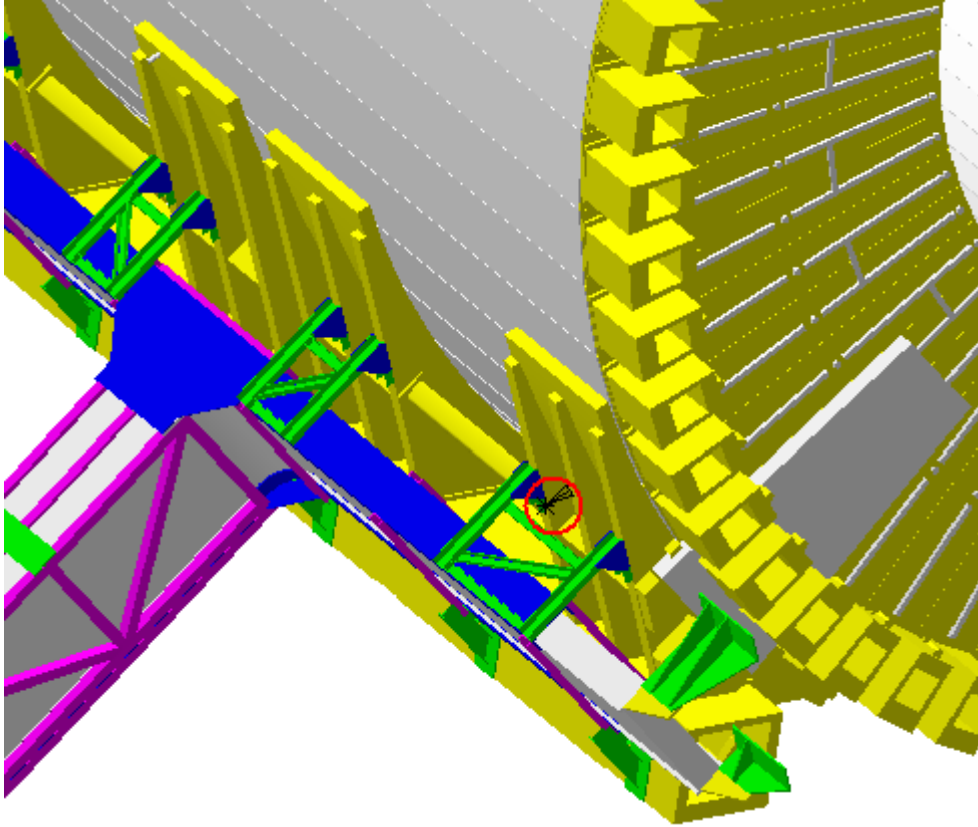


Clash Computation Specification	
Products Selected	
NSE_0006 -FLEXIBLE CHAINS IN SECTOR 15 FOR - LAR END-CAP CALORIMETER	ATCNLB_0002 LB TILE CALORIMETER - SIMPLIFIED 3-D OBJECT

**Computation Result:**



NSE_0006	ATCNLB_0002	Clash	0.04mm	Not Relevant
----------	-------------	-------	--------	--------------



Clash=0.04mm

Side C

Sector 15

# Clash View 1:

