



Clearance Publish

Clearance=100mm

REVISED
25/04/2005

Clearance Computation Specification		
Products Selected		
ATCNSE_0006 - FLEXIBLE CHAINS IN SECTOR 15 FOR - LAR END-CAP CALORIMETER	AT602167MQ - MCB MUON BARREL CHAMBERS DETAILED SECTOR 15	98.4
	AT602342MQ - MCB MUON BARREL CHAMBERS DETAILED SECTOR 16	85.5
	NSO_0019 - UX15 - TILECAL. & LIQ.AR COOL PIPES - SUPPORTS ON HS STRUCTURE	43.02
	ATCNFH_0013 - HS METALLIC STRUCTURE - SIDE US15 - LEVEL +2,77M EXTENSION	Contact
	ATCNLB_0003 - BARREL CALORIMETER - TRACTION SYSTEM INSTAL.CONFIG	Contact
	ATCNLB_0004 - BARREL CALORIMETER - TRACTION SYSTEM RUN CONFIG	Contact

Conflicts Summary:

Total : 6
Relevant : 5



Clearance Publish

Clearance Computation Specification	
Products Selected	
ATCNSE_0006 - FLEXIBLE CHAINS IN SECTOR 15 FOR - LAR END-CAP CALORIMETER	AT602167MQ - MCB MUON BARREL CHAMBERS DETAILED SECTOR 15

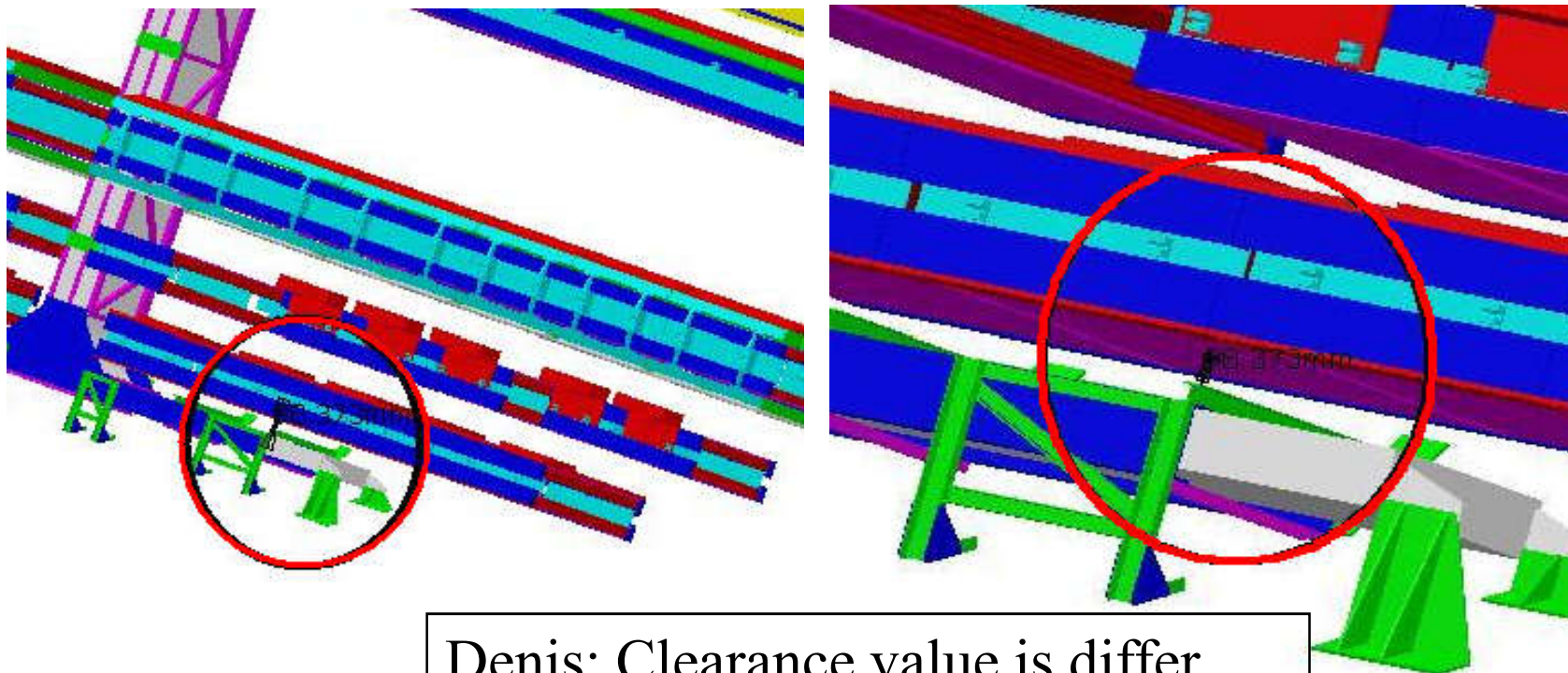
Computation Result:

NSE_0006

AT602167MQ

Value=98.4mm

Relevant



Denis: Clearance value is differ than 100mm

Side A

Sector 15

Lasha: I recheck this value with Olga and 100mm is correct. So, I identify conflict status as relevant

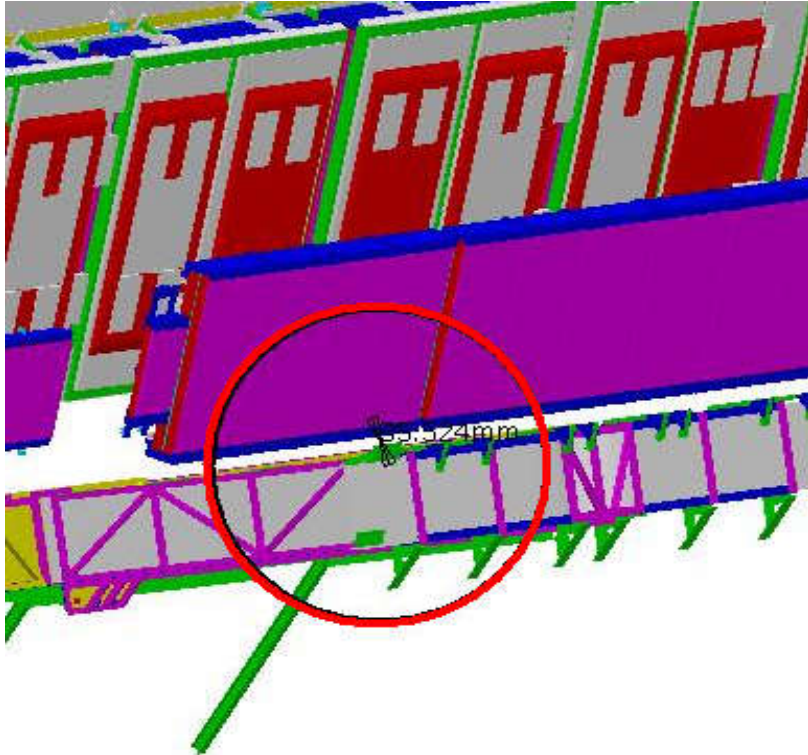


Clearance Publish

Clearance Computation Specification	
Products Selected	
ATCNSE_0006 - FLEXIBLE CHAINS IN SECTOR 15 FOR - LAR END-CAP CALORIMETER	AT602342MQ - MCB MUON BARREL CHAMBERS DETAILED SECTOR 16

Computation Result:

NSE_0006	AT602342MQ	Value=85.5mm	Not inspected
----------	------------	--------------	---------------



Denis: Clearance value is differ than 100mm

Side C
Sector 15

Lasha: I recheck this value with Olga and 100mm is correct. So, I identify conflict status as relevant

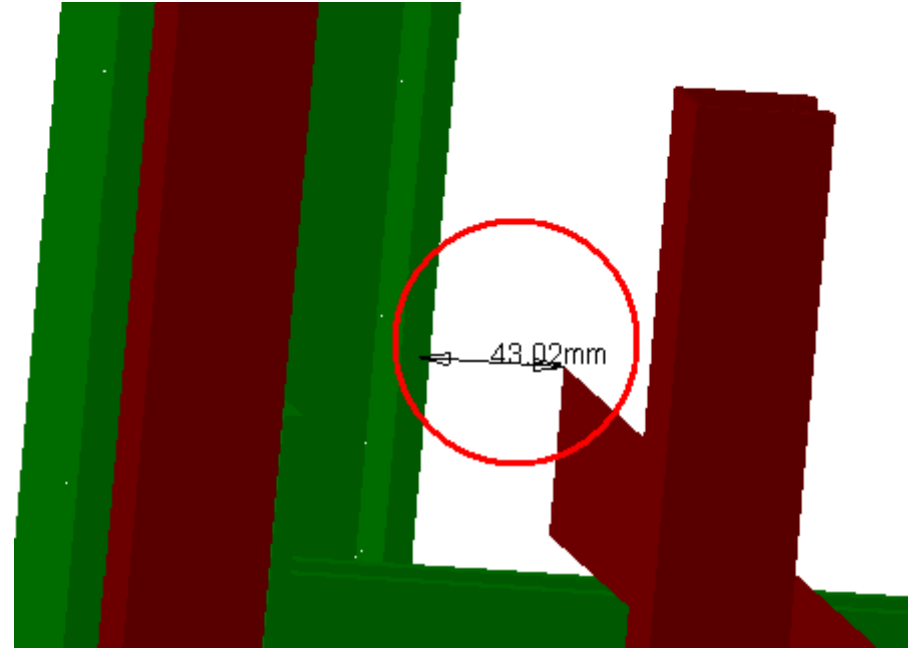
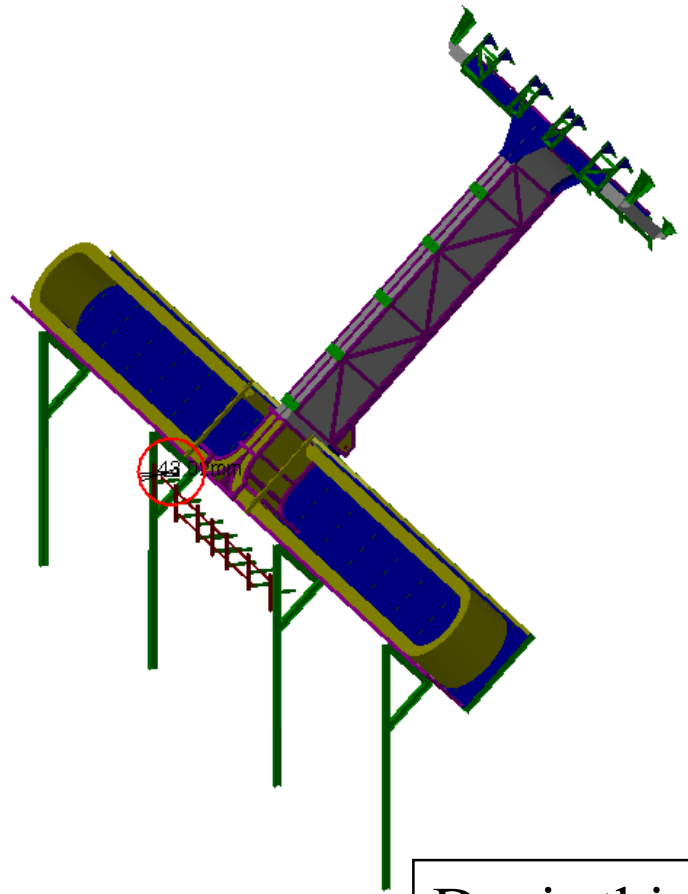


Clearance Publish

Clearance Computation Specification	
Products Selected	
ATCNSE_0006 - FLEXIBLE CHAINS IN SECTOR 15 FOR - LAR END-CAP CALORIMETER	NSO_0019 - UX15 - TILECAL. & LIQ.AR COOL PIPES - SUPPORTS ON HS STRUCTURE

Computation Result:

NSE_0006	NSO_0019	Value=43.02mm	Relevant
----------	----------	---------------	----------



Denis think that this value is not terrafic

Side C
Sector 15

Lasha: I identify status as relevant to pay attention of integration team



Contact Publish

Contact Computation Specification	
Products Selected	
ATCNSE_0006 - FLEXIBLE CHAINS IN SECTOR 15 FOR - LAR END-CAP CALORIMETER	ATCNFH_0013 - HS METALLIC STRUCTURE - SIDE US15 - LEVEL +2,77M EXTENSION

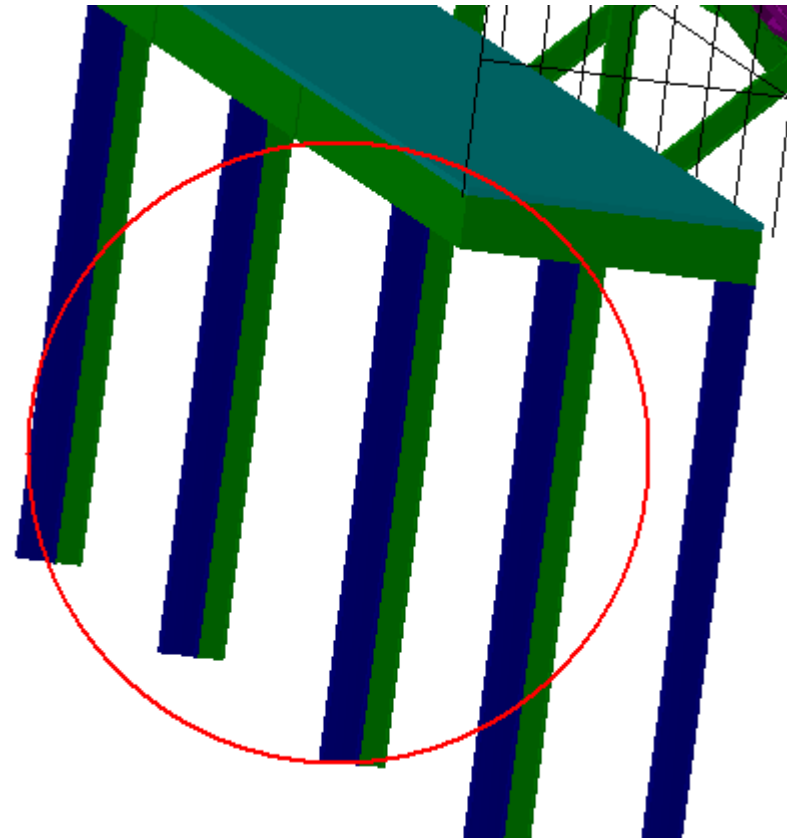
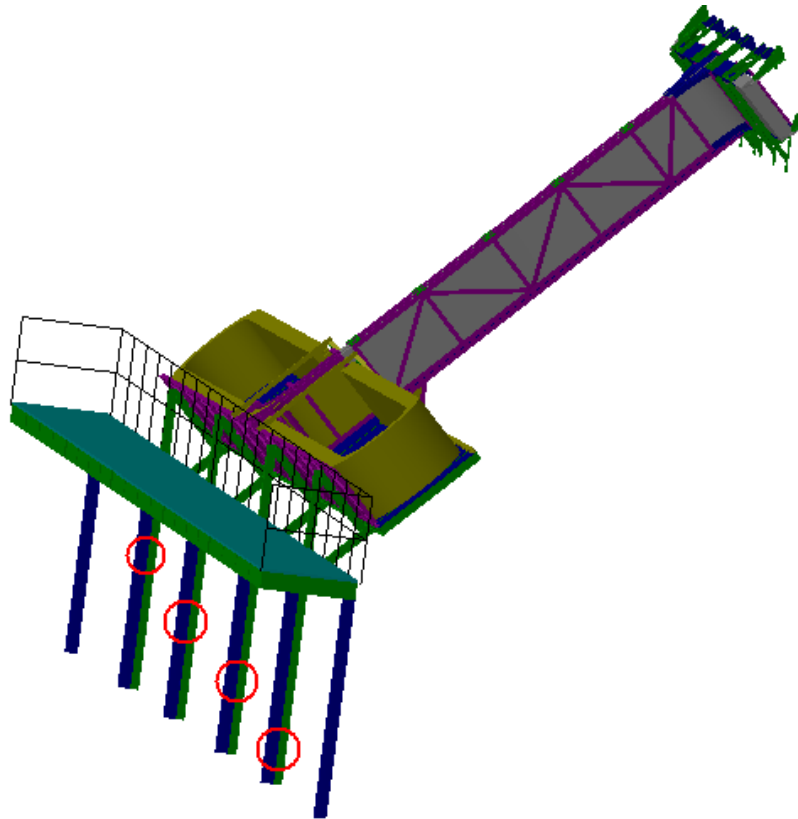
Computation Result:

NSE_0006

NFH_0013

Contact

Not relevant



Side A (C)

Sector 15

Denis: This is interface

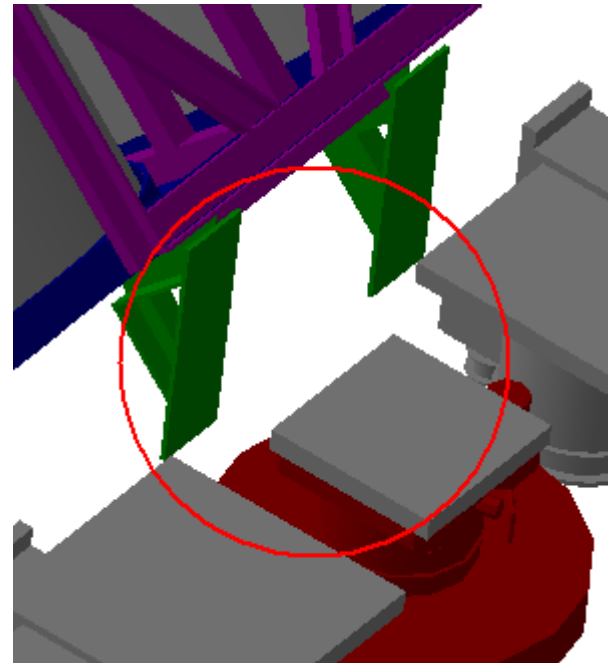
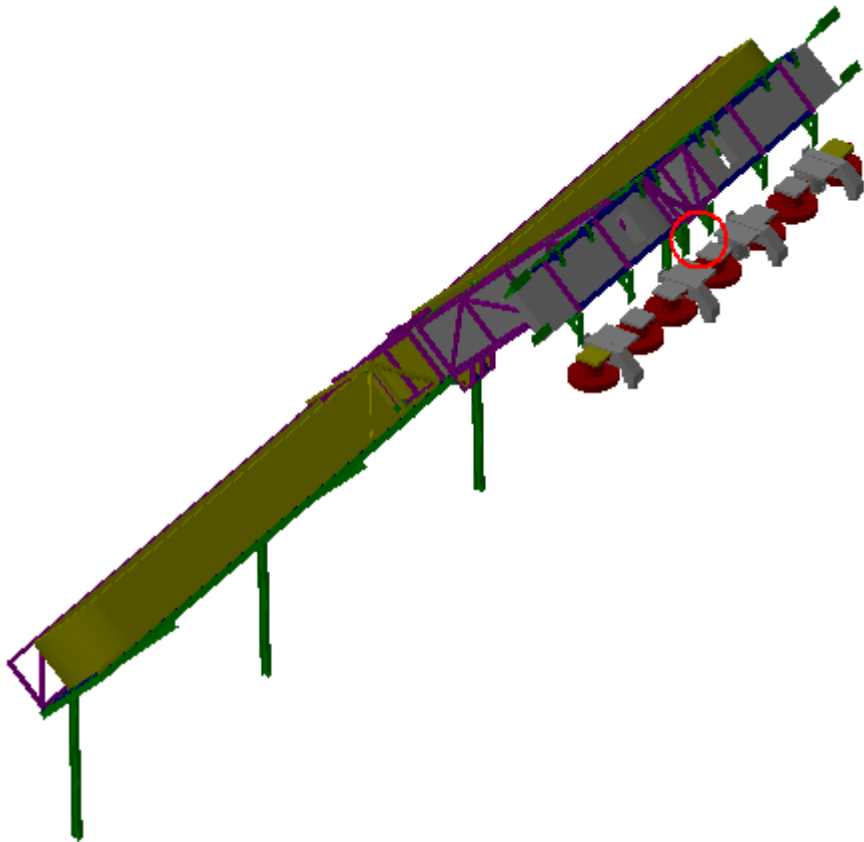


Contact Publish

Contact Computation Specification	
Products Selected	
ATCNSE_0006 - FLEXIBLE CHAINS IN SECTOR 15 FOR - LAR END-CAP CALORIMETER	ATCNLB_0003 - BARREL CALORIMETER - TRACTION SYSTEM INSTAL.CONFIG

Computation Result:

NSE_0006	NLB_0003	Contact	Relevant
----------	----------	---------	----------



Side A (C)
Sector 15

Denis: Some parts will cut-out



Contact Publish

Contact Computation Specification	
Products Selected	
ATCNSE_0006 - FLEXIBLE CHAINS IN SECTOR 15 FOR - LAR END-CAP CALORIMETER	ATCNLB_0004 - BARREL CALORIMETER - TRACTION SYSTEM RUN CONFIG

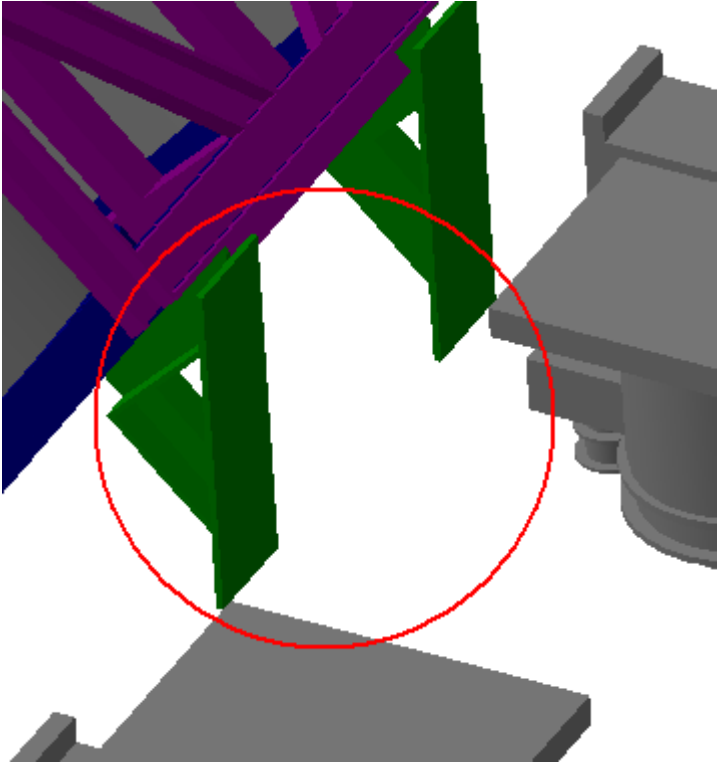
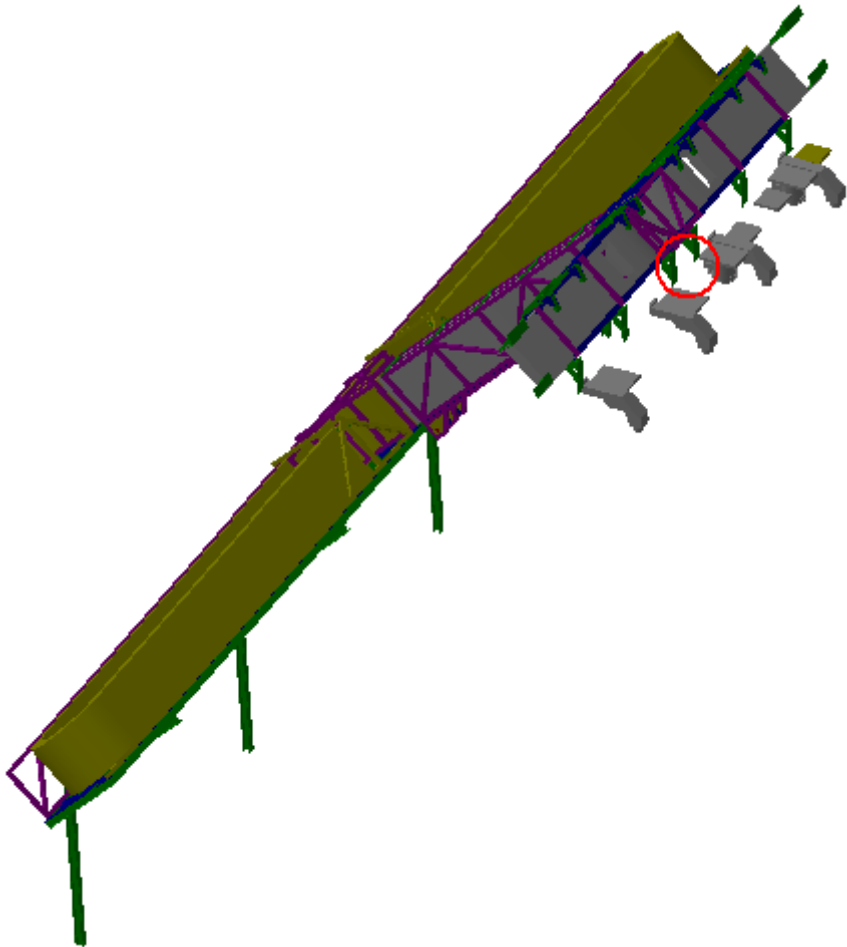
Computation Result:

NSE_0006

NLB_0004

Contact

Not inspected



Side A (C)
Sector 15

Denis: Some parts will cut-out