

Clash Publish



Clash Computation Specification		
Products Selected		
ATCNSE_0004 - DRAIN PIPE FOR - LAR END-CAP CALORIMETER	ZHX_0001 - ACCESS ELEVATORS - GLOBAL ENVELOPE	385.1
	NH_0002 - HF TRUCK IN RUN POSITION SIDE C - SIMPLIFIED 3D OBJECT	0.1
	NH_0004 - HF TRUCK IN RUN POSITION SIDE A - SIMPLIFIED 3D OBJECT	172.8
	Z5_0002 - Z5 GLOBAL ENVELOPE (SIDE A) - AND LOCATION INTERFACES	215.5
	Z5_0001 - Z5 GLOBAL ENVELOPE (SIDE C) - AND LOCATION INTERFACES	1911.8
	NSB_0003 - BARREL CALORIMETER LAR DRAIN LINE - SIMPLIFIED 3D OBJECT	1911.8
	NSO_0010 - UX 15 - CAVERN - ID CABLE COOLING STATION AND PIPES	217
		78.9

Computation Result:

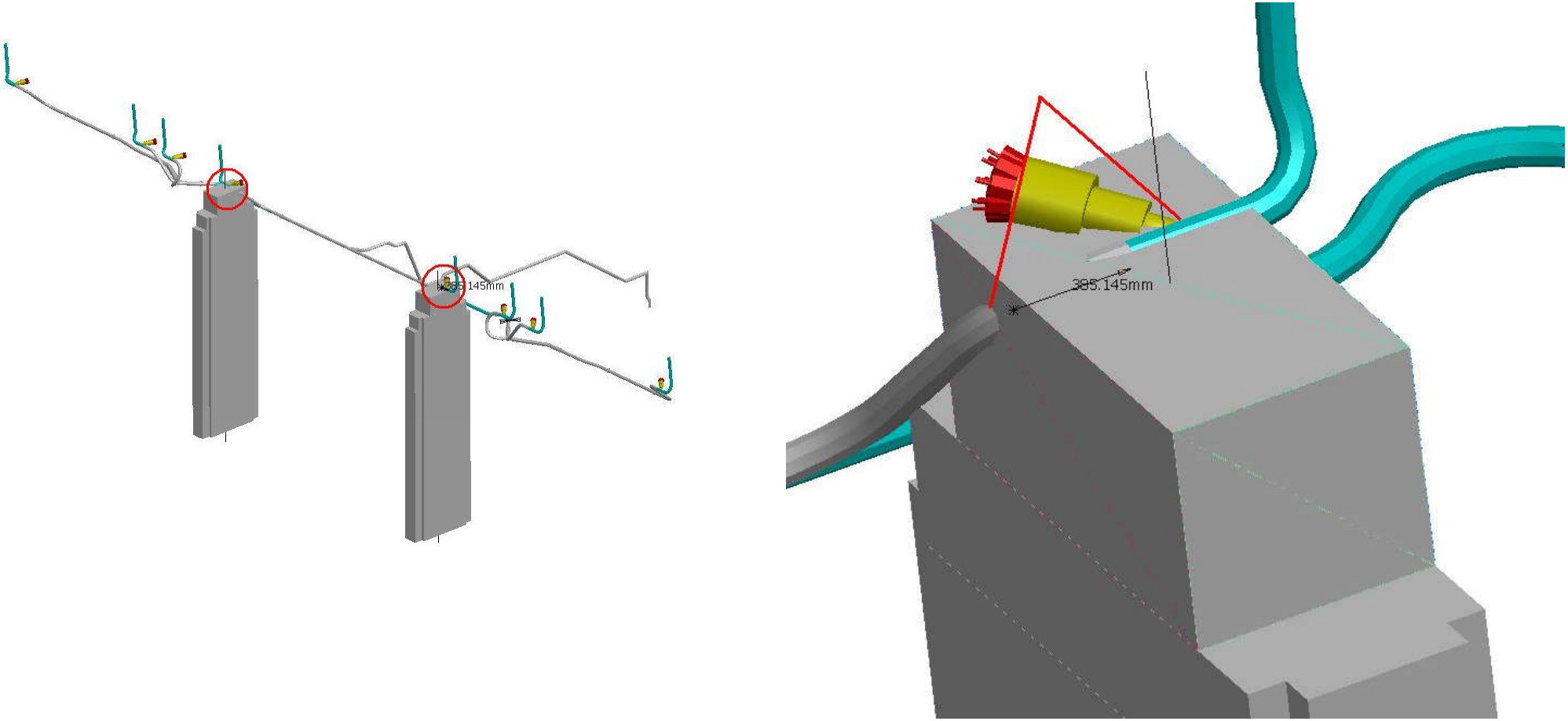
Clash Publish



Clash Computation Specification	
Products Selected	
NSE__0004 - DRAIN PIPE FOR - LAR END-CAP CALORIMETER	ZHX__0001 - ACCESS ELEVATORS - GLOBAL ENVELOPE - SIDE A-C

Computation Result:

NSE__0004	ZHX__0001	Clash	-385.145	Not inspected
-----------	-----------	-------	----------	---------------

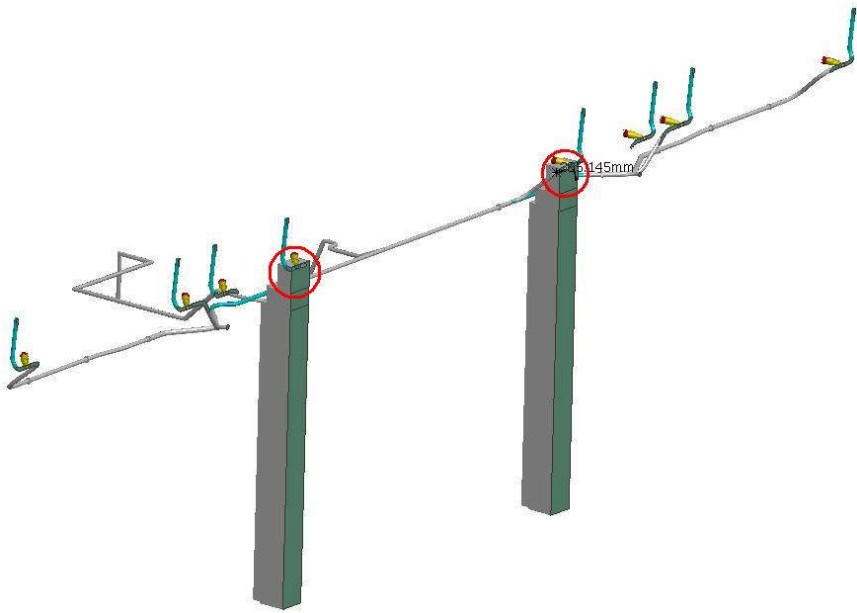


Clash value: ~ 385.1 mm

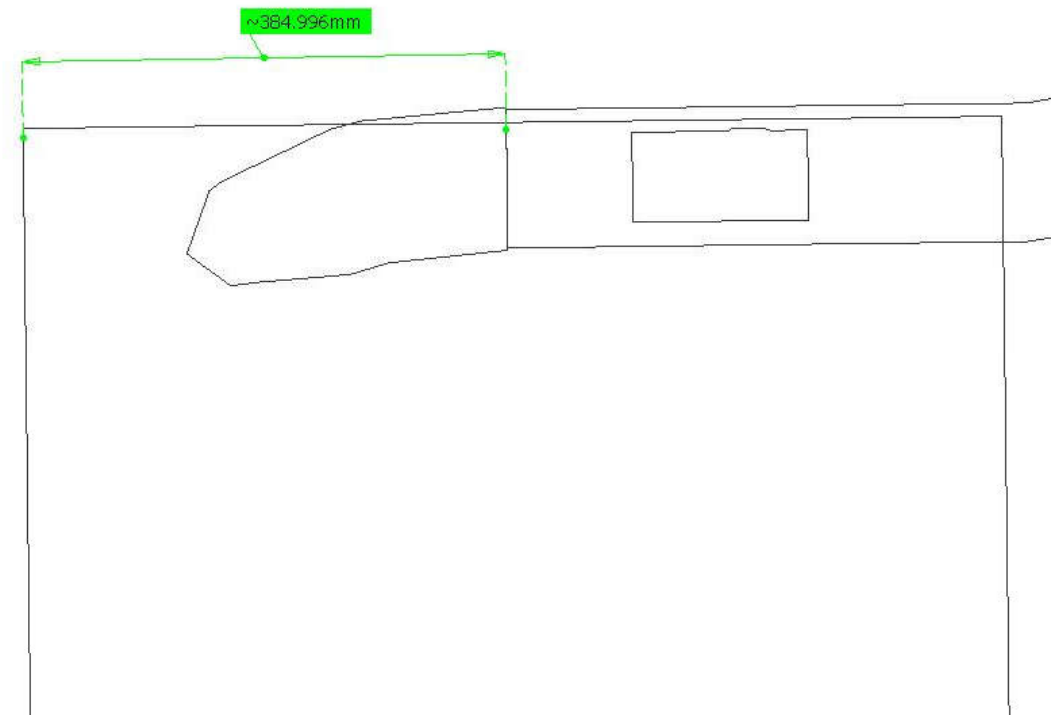
SIDE A-C

Sector 13

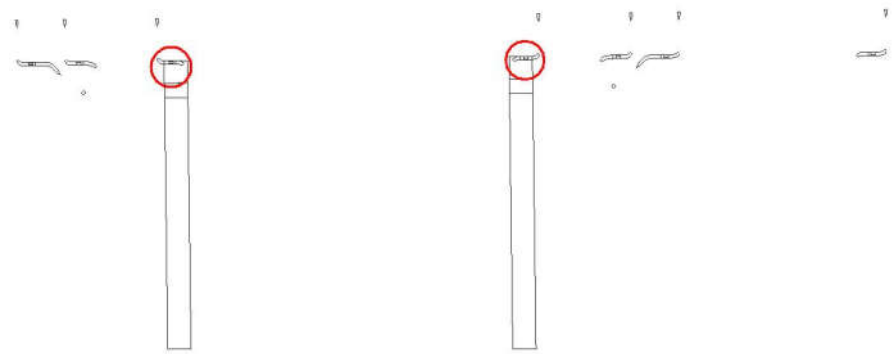
Clash View:



~145mm



~384.996mm



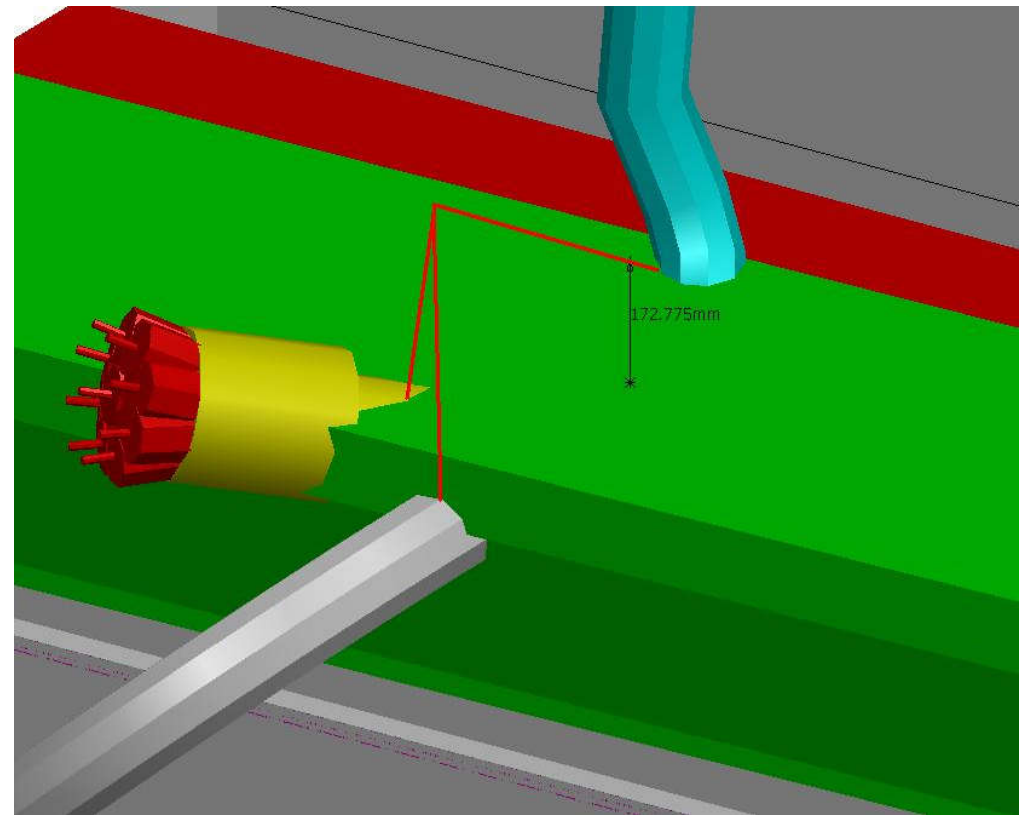
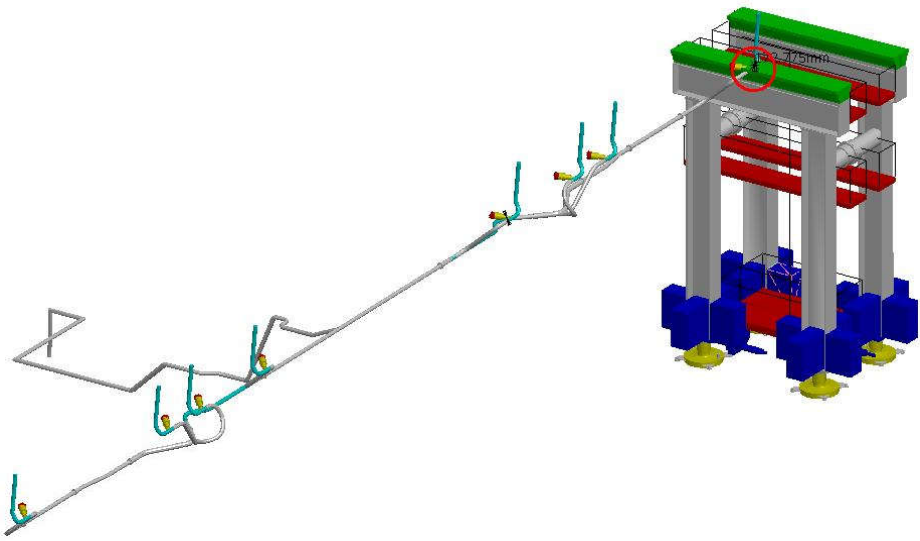
Clash Publish



Clash Computation Specification	
Products Selected	
NSE__0004 - DRAIN PIPE FOR - LAR END-CAP CALORIMETER	NH__0002 - HF TRUCK IN RUN POSITION SIDE C - SIMPLIFIED 3D OBJECT - SIDE C

Computation Result:

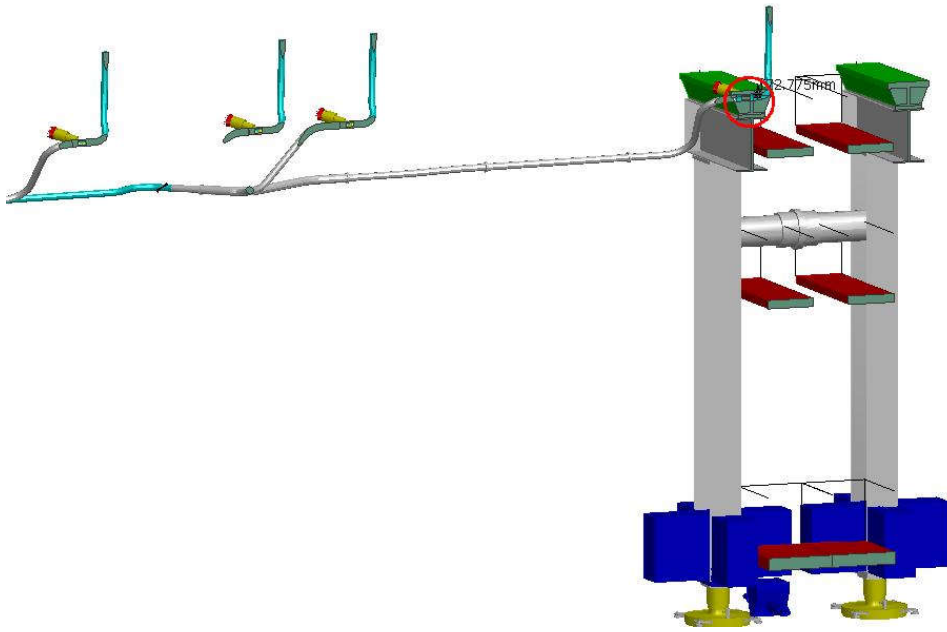
NSE__0004	NH__0002	Clash	-172.84	Not inspected
-----------	----------	-------	---------	---------------



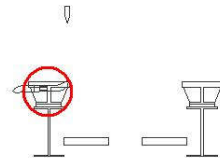
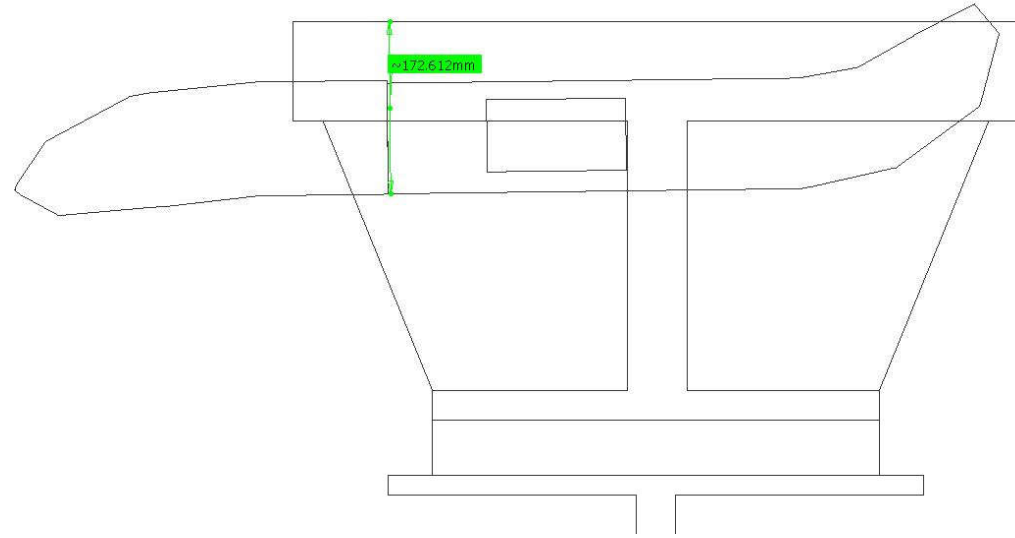
Clash value: ~ 172.8 mm

SIDE C

Sector 13



Clash View:



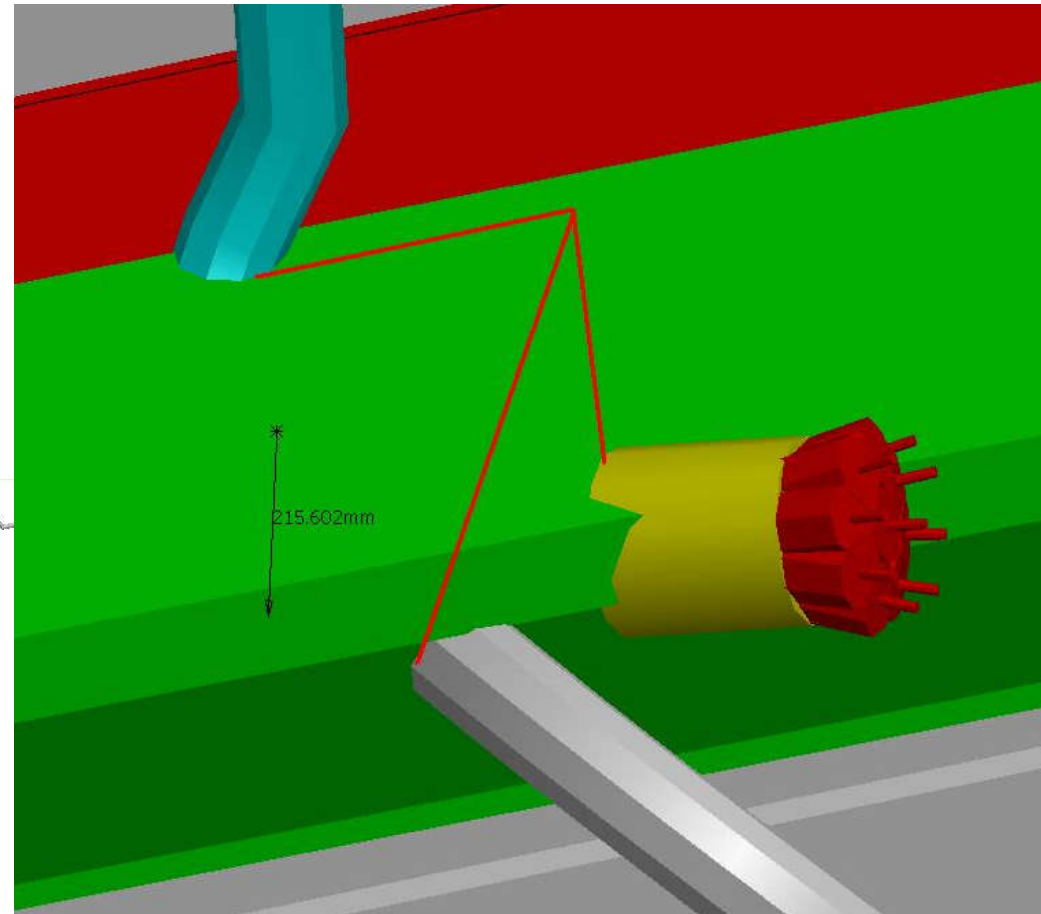
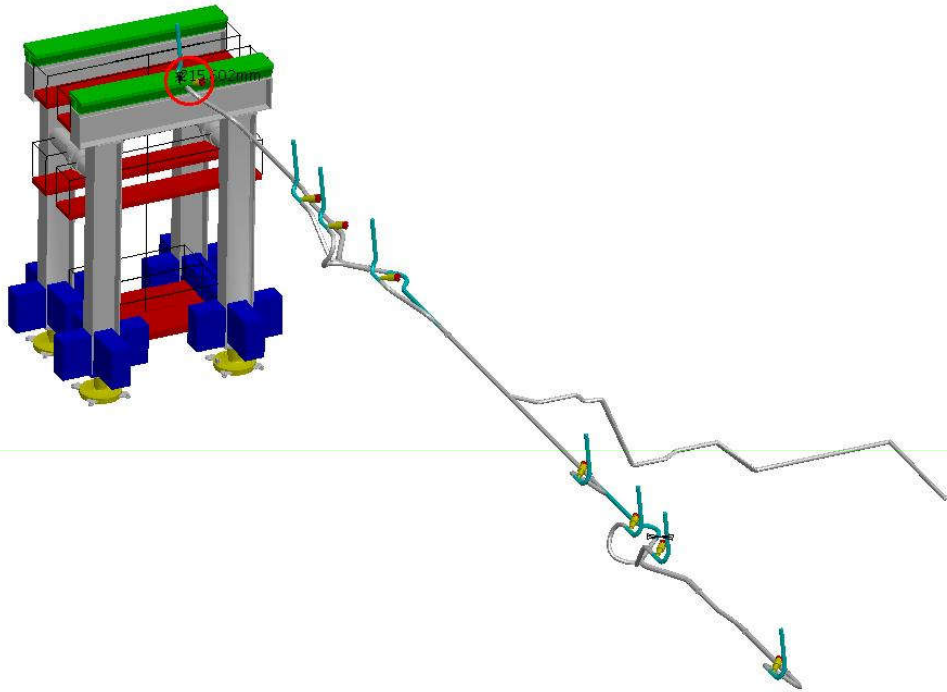
Clash Publish



Clash Computation Specification	
Products Selected	
NSE__0004 - DRAIN PIPE FOR - LAR END-CAP CALORIMETER	NH__0004 - HF TRUCK IN RUN POSITION SIDE A - SIMPLIFIED 3D OBJECT - SIDE A

Computation Result:

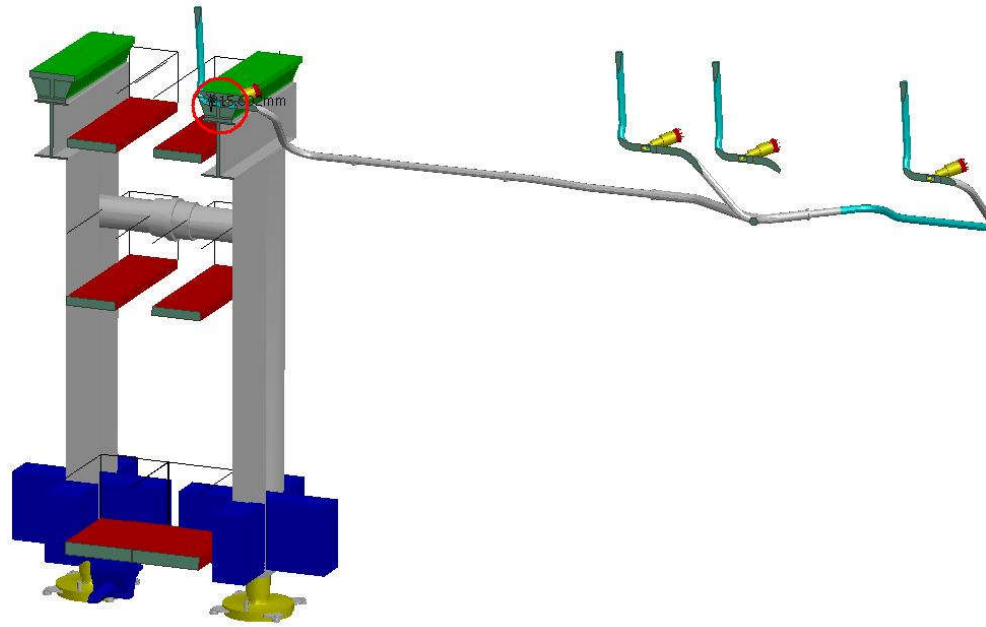
NSE__0004	NH__0004	Clash	-215.541	Not inspected
-----------	----------	-------	----------	---------------



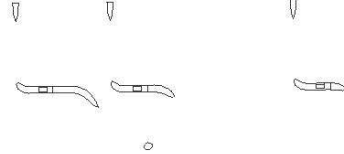
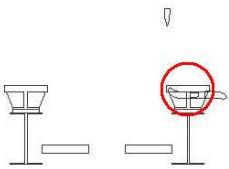
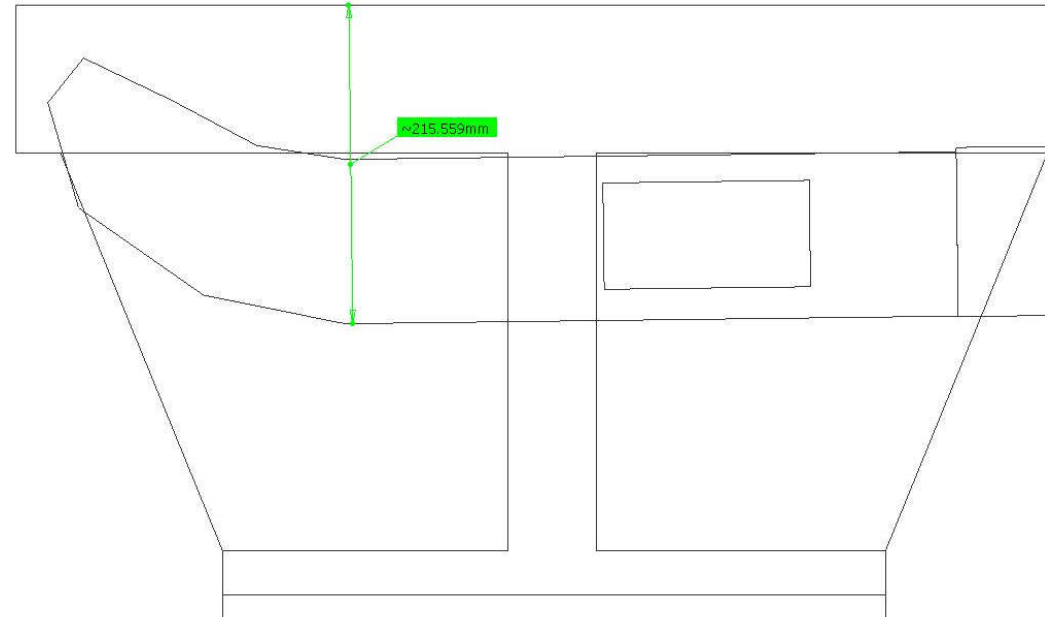
Clash value: ~ 215.5 mm

SIDE A

Sector 13



Clash View:



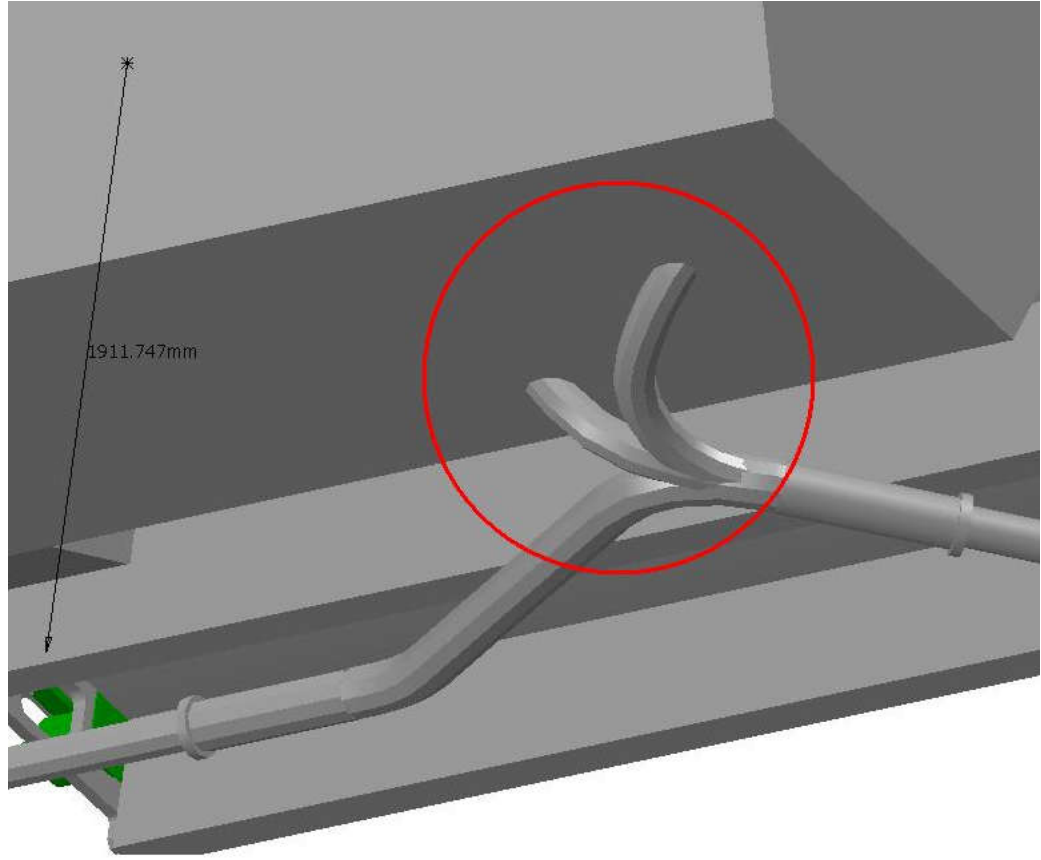
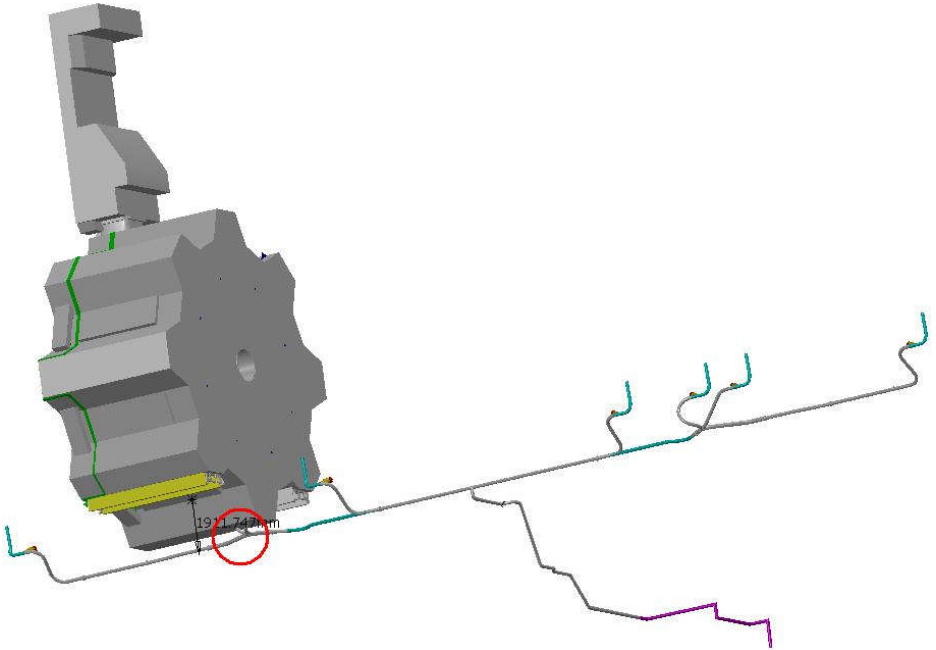
Clash Publish



Clash Computation Specification	
Products Selected	
NSE__0004 - DRAIN PIPE FOR - LAR END-CAP CALORIMETER	Z5__0002 - Z5 GLOBAL ENVELOPE (SIDE A) - AND LOCATION INTERFACES - SIDE A

Computation Result:

NSE_0004	Z5__0002	Clash	-1911.75	Nor inspected
----------	----------	-------	----------	---------------

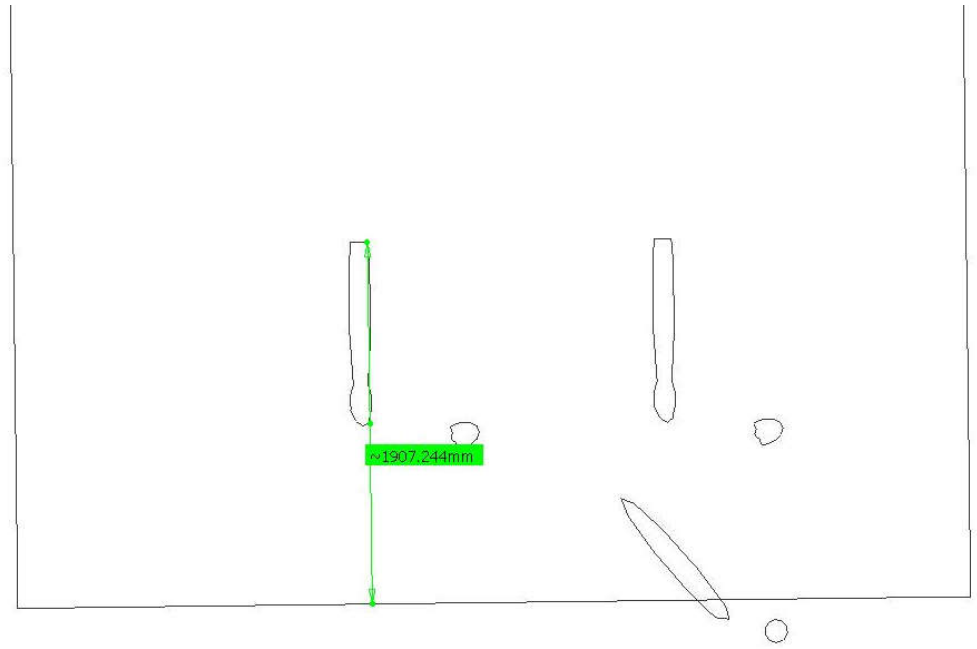
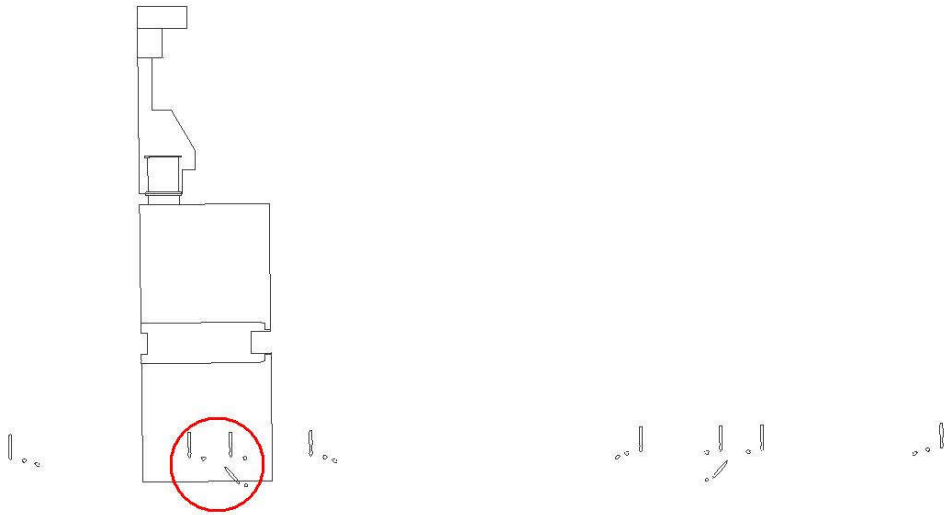
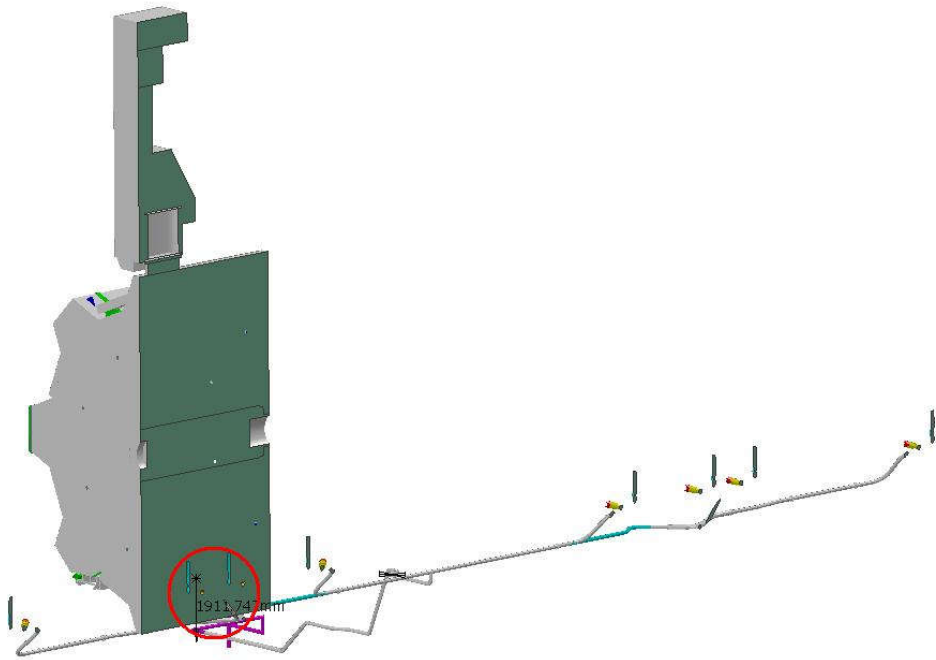


Clash value: ~ 1911.8 mm

SIDE A

Sector 13

Clash View:



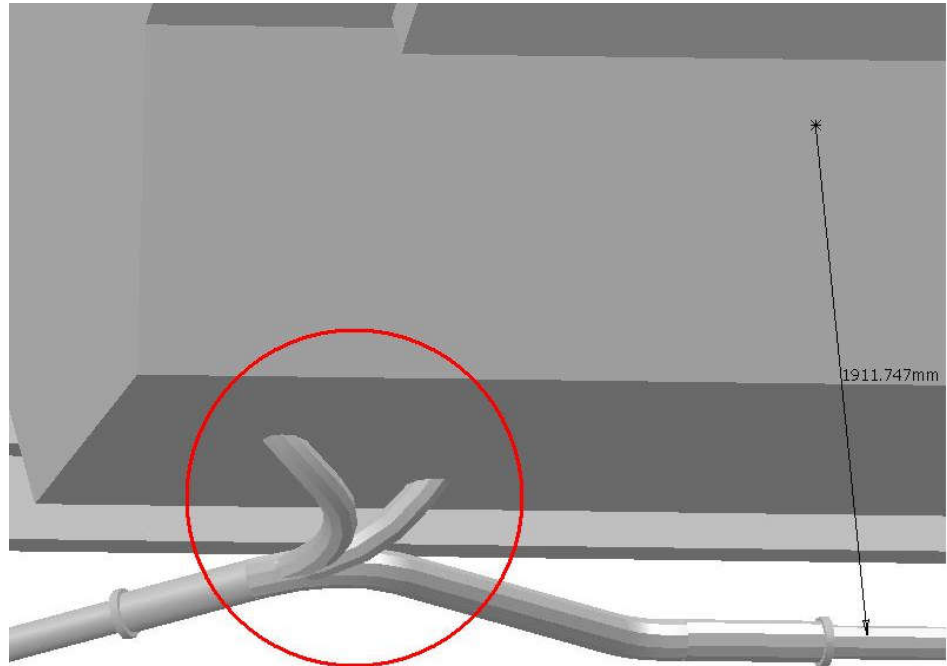
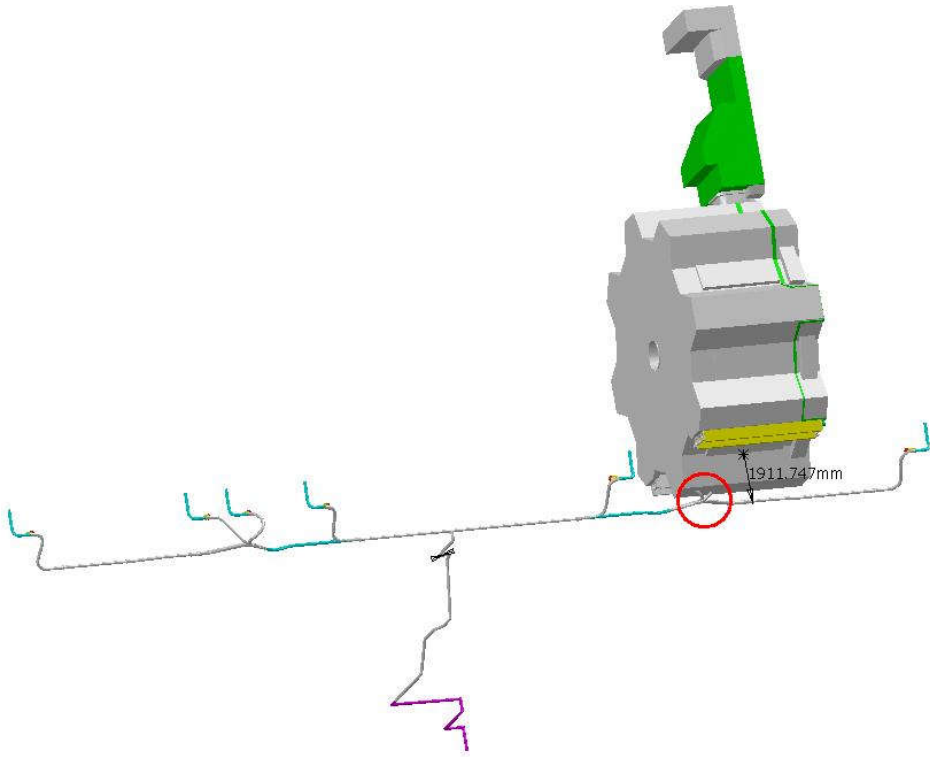
Clash Publish



Clash Computation Specification	
Products Selected	
NSE__0004 - DRAIN PIPE FOR - LAR END-CAP CALORIMETER	Z5__0001 - Z5 GLOBAL ENVELOPE (SIDE C) - AND LOCATION INTERFACES - SIDE C

Computation Result:

NSE__0004	Z5__0001	Clash	-1911.75	Nor inspected
-----------	----------	-------	----------	---------------

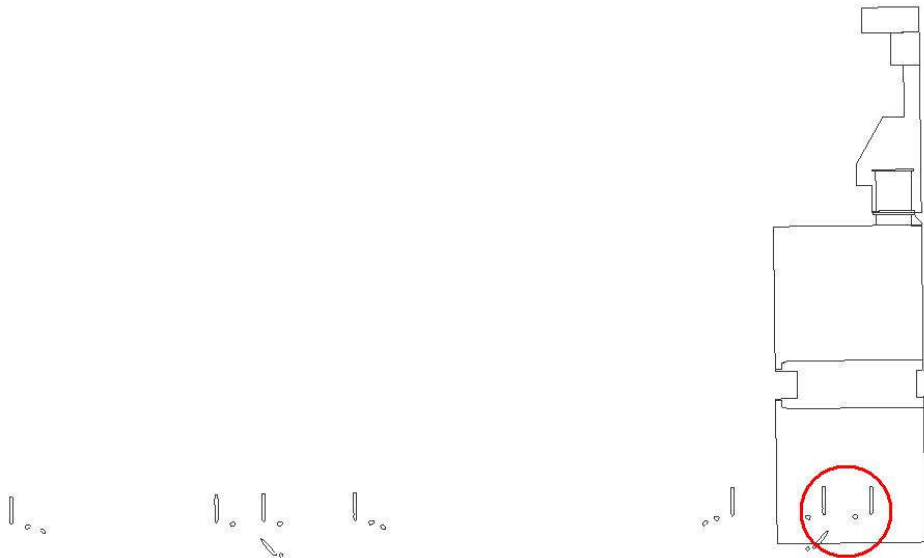
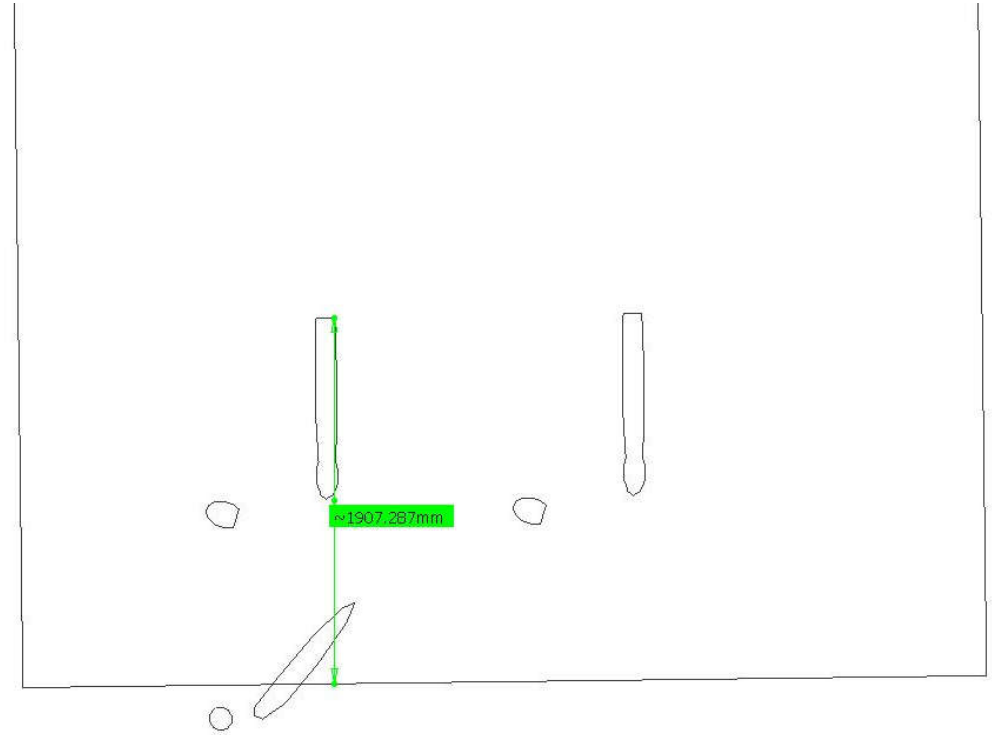
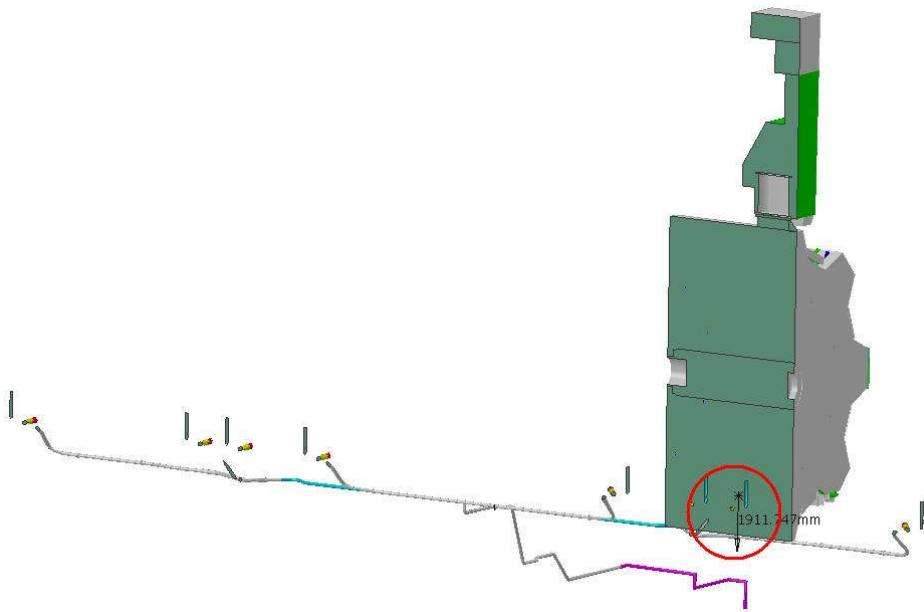


Clash value: ~ 1911.8 mm

SIDE C

Sector 13

Clash View:



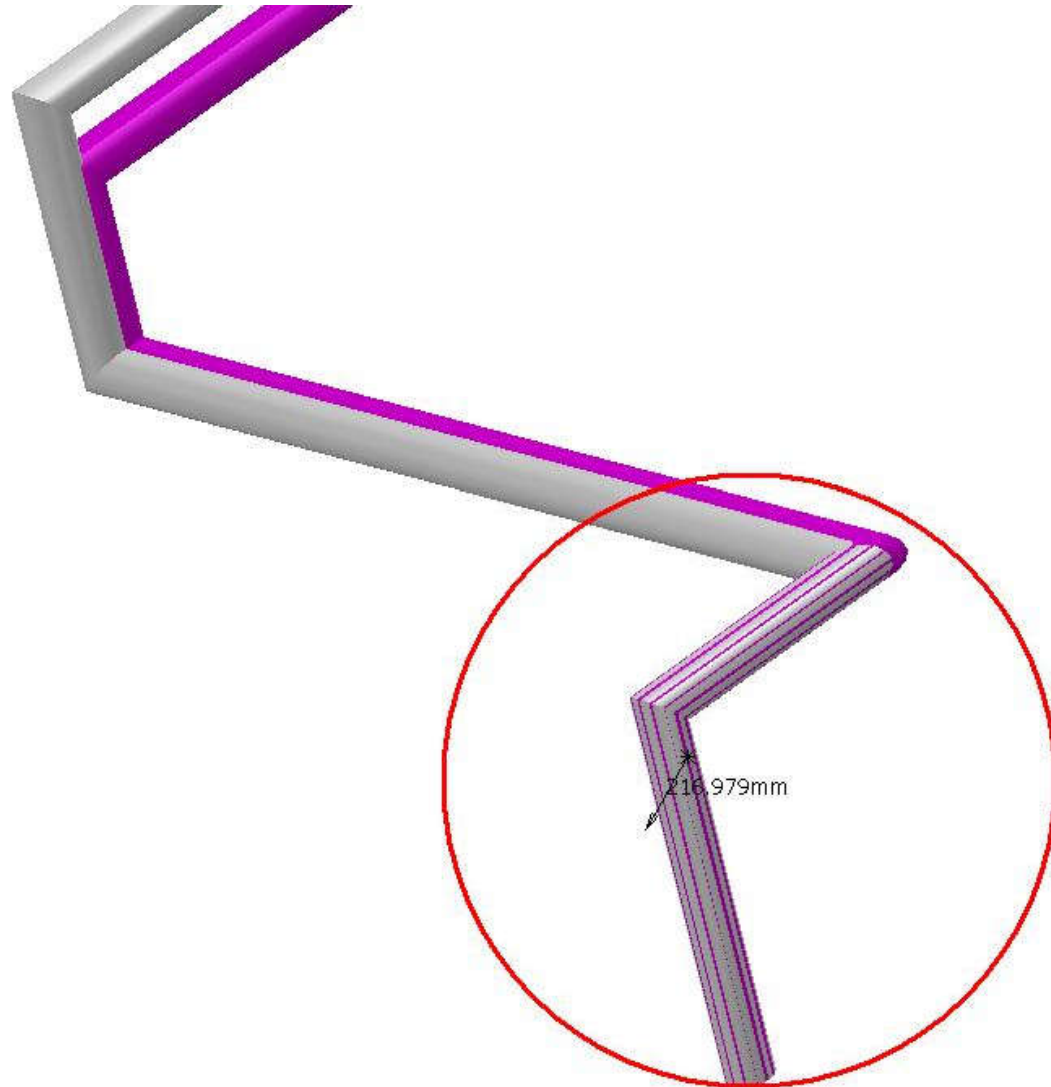
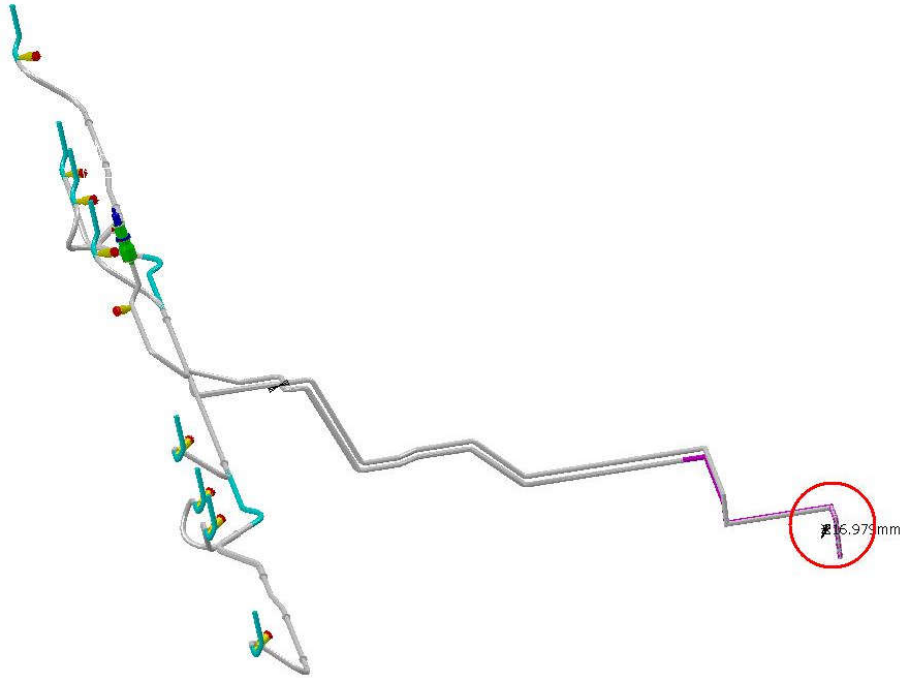


Clash Publish

Clearance Computation Specification	
Products Selected	
NSE__0004 - DRAIN PIPE FOR - LAR END-CAP CALORIMETER	NSB__0003 - BARREL CALORIMETER LAR DRAIN LINE - SIMPLIFIED 3D OBJECT - SIDE C

Computation Result:

NSE__0004	NSB__0003	Clash	-216.979	Not inspected
-----------	-----------	-------	----------	---------------



Clash value: ~ 217 mm

SIDE C

Sector 11

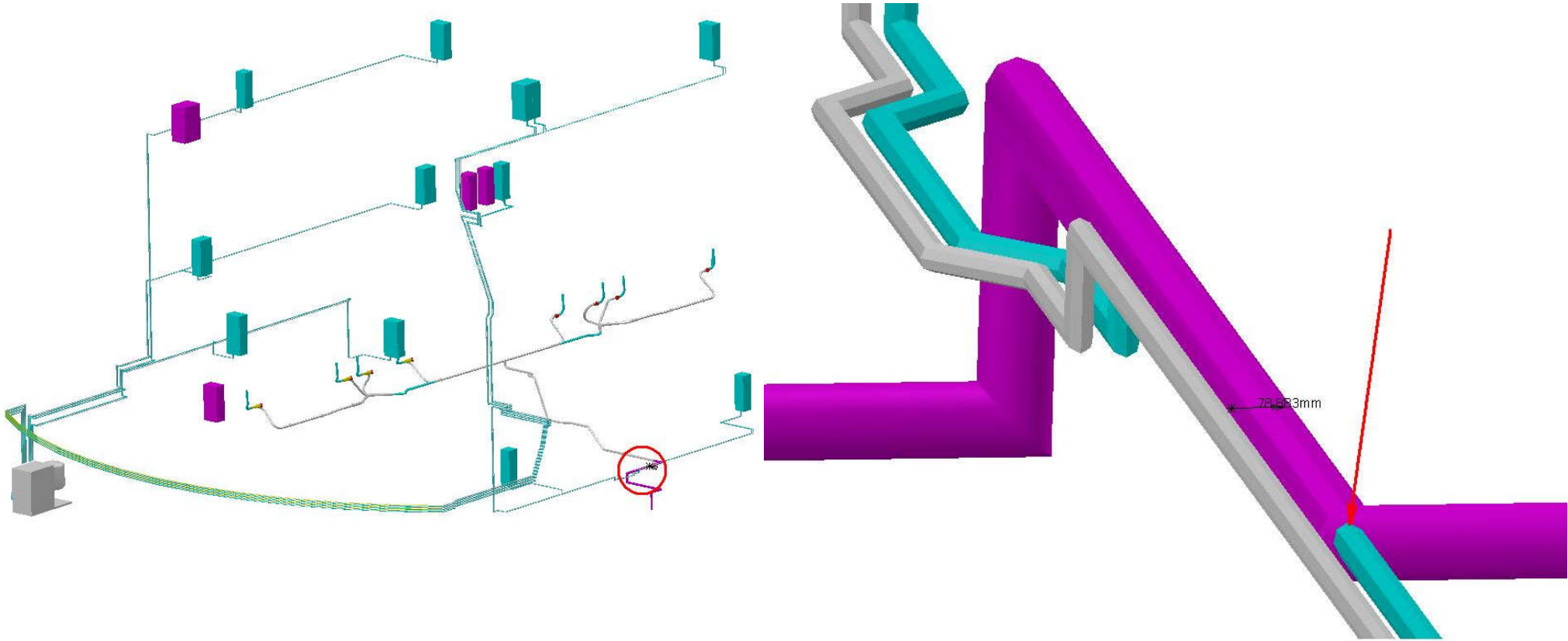


Clash Publish

Clash Computation Specification	
Products Selected	
NSE__0004 - DRAIN PIPE FOR - LAR END-CAP CALORIMETER	NSO__0010 - UX 15 - CAVERN - ID CABLE COOLING STATION AND PIPES - SIDE C

Computation Result:

NSE_0004	NSO_0010	Clash	-78.8834	Not inspected
----------	----------	-------	----------	---------------



Clash value: ~ 78.9 mm

SIDE C

Sector 11