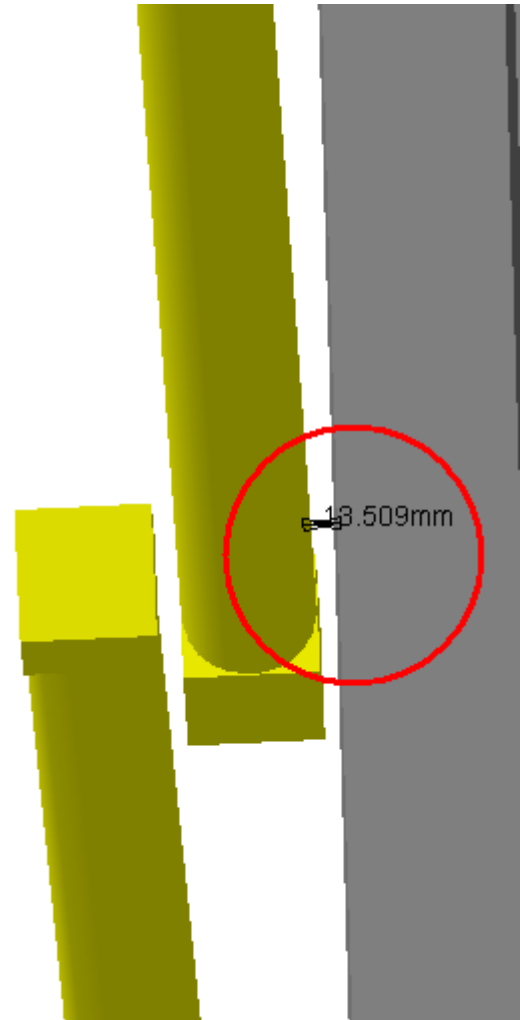
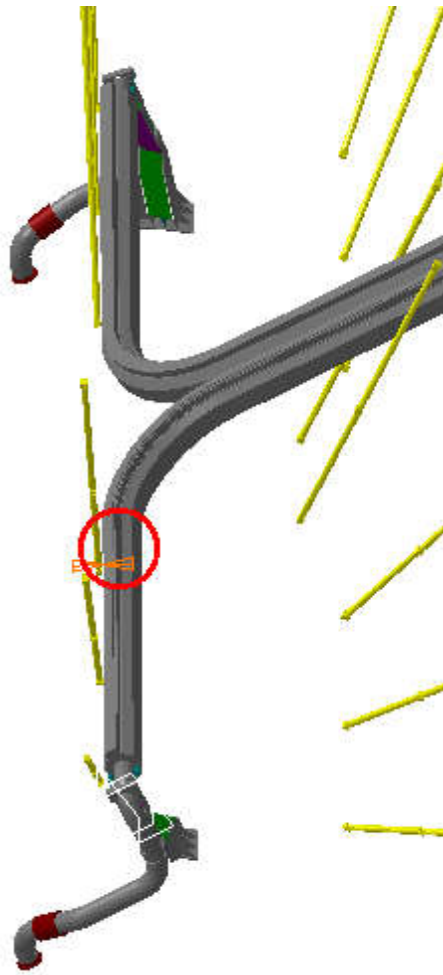
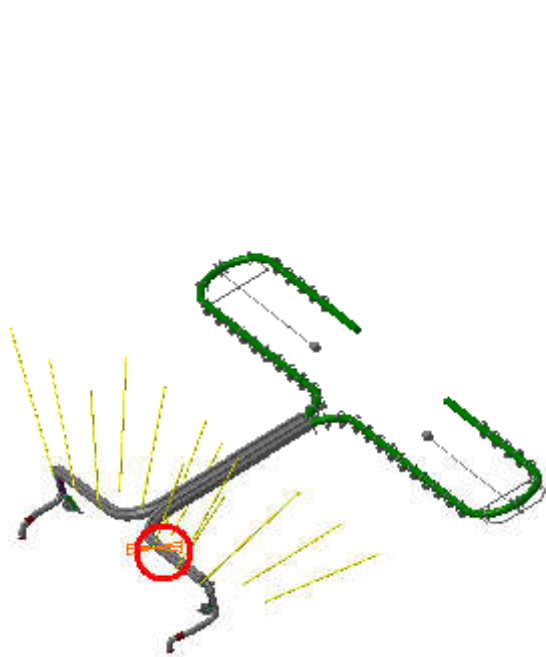


WARNING

ATCNSE_0001 FLEXIBLE SAFETY PIPE FOR - LAR END-CAP CALORIMETER	ATCNMA_0004 BARREL PROJECTIVE ALIGNMENT. - SIMPLE 3-D MODEL. SECTOR 7.	Vector coordinate $\Delta X \approx 11.78\text{mm}$ $\Delta Y \approx 6.61\text{mm}$ $\Delta Z \approx -0.08\text{mm}$	13.51mm	Warning
--	--	---	---------	---------



Side C  
Sector 7

WARNING

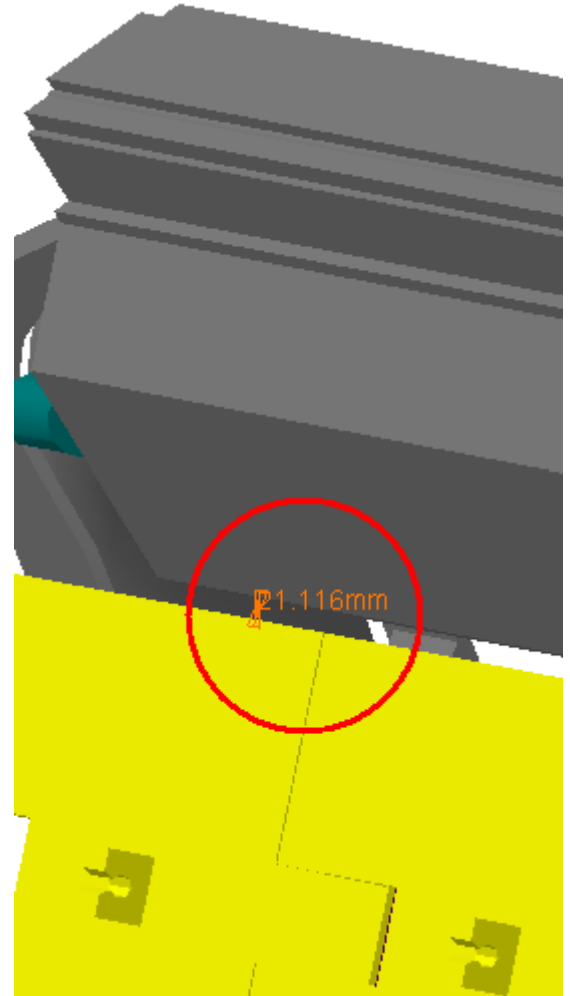
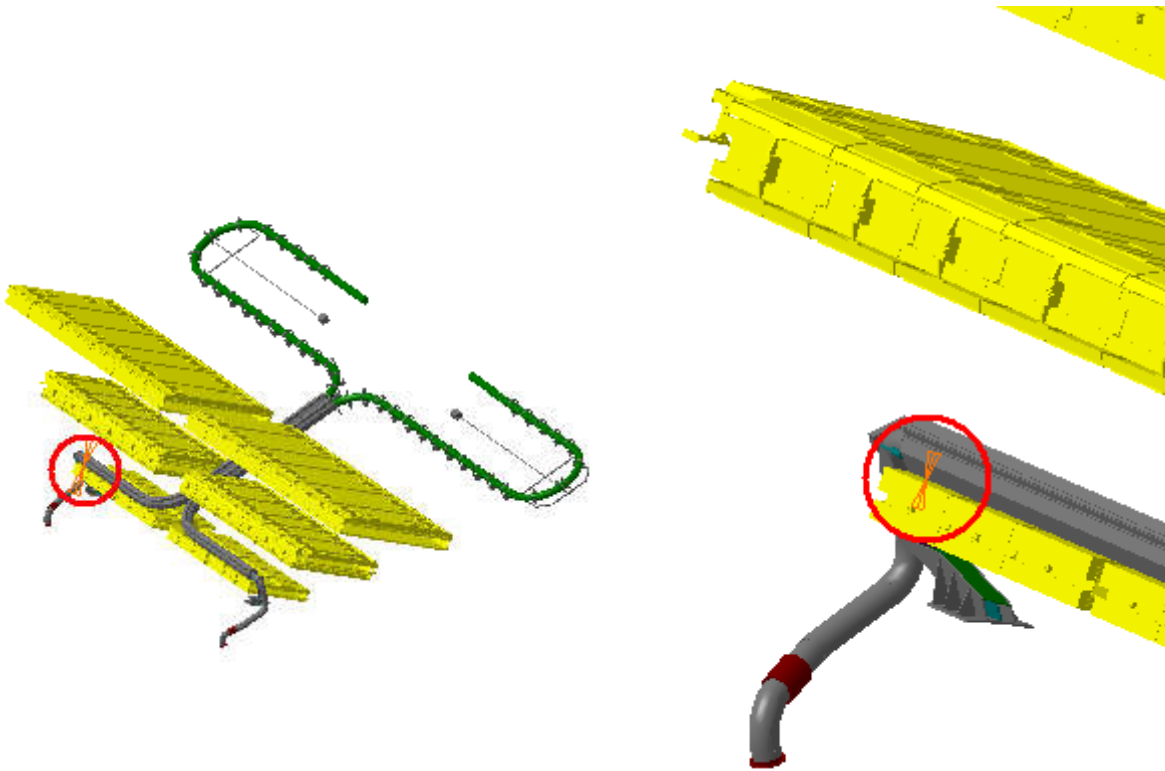
ATCNSE\_0001 FLEXIBLE SAFETY  
PIPE FOR - LAR END-CAP  
CALORIMETER

AT602157MQ MCB Muon Barrel  
Chambers Detailed

Vector coordinate  
 $\Delta X \approx 14.93\text{mm}$   $\Delta Y \approx -14.93\text{mm}$   $\Delta Z \approx 0.18\text{mm}$

21.12mm

Warning



Side A  
Sector 7