

## Clearance Publish

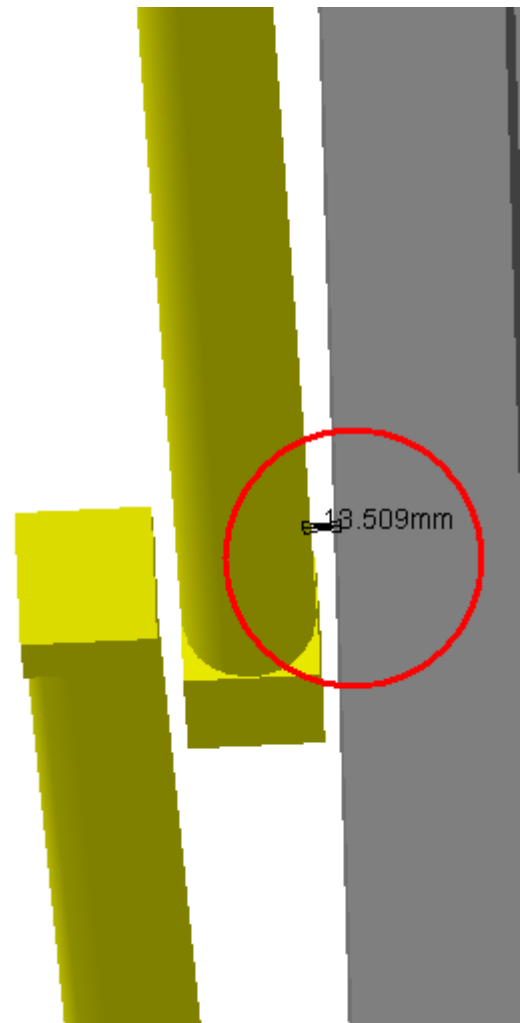
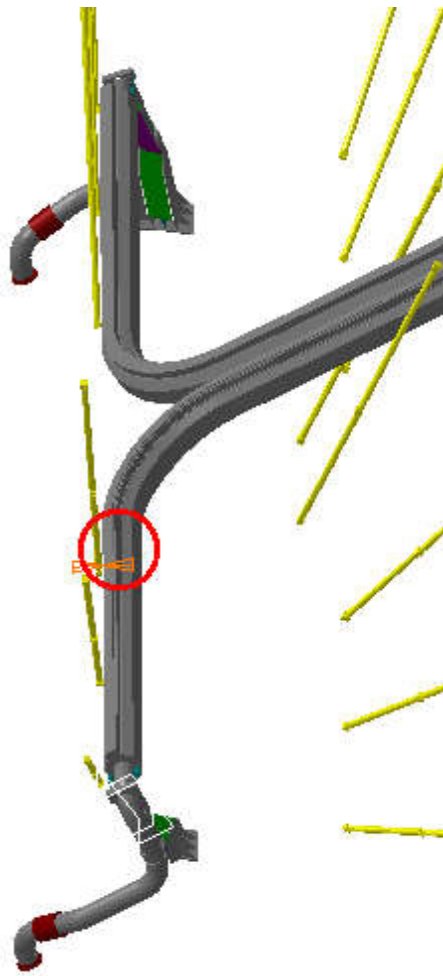
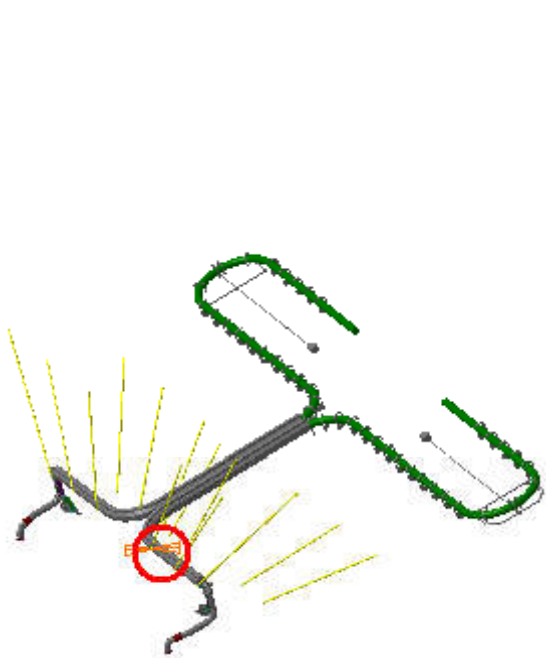
Clearance=50mm



Clearance Computation Specification			
Products Selected			
ATCNSE_0001 FLEXIBLE SAFETY PIPE FOR - LAR END-CAP CALORIMETER	ATCNMA_0004 BARREL PROJECTIVE ALIGNMENT. - SIMPLE 3-D MODEL. SECTOR 7.	13.51	Warning
	AT602157MQ MCB Muon Barrel Chambers Detailed	21.12	Warning
	AT632631MQ Alignment BAR EIL4	47.36	Not Relevant
	AT632806MQ Alignment BAR EIL4	47.38	Not Relevant
	AT812126MQ TBW Structure	6.71	Not Relevant
	AT812127MQ TBW Structure	33.26	Not Relevant
	AT812126MQ M TBW Structure	6.71	Not Relevant
	AT812127MQ M TBW Structure	33.24	Not Relevant

WARNING

ATCNSE_0001 FLEXIBLE SAFETY PIPE FOR - LAR END-CAP CALORIMETER	ATCNMA_0004 BARREL PROJECTIVE ALIGNMENT. - SIMPLE 3-D MODEL. SECTOR 7.	Vector coordinate $\Delta X \approx 11.78\text{mm}$ $\Delta Y \approx 6.61\text{mm}$ $\Delta Z \approx -0.08\text{mm}$	13.51mm	Warning
--	--	---	---------	---------



Side C  
Sector 7

WARNING

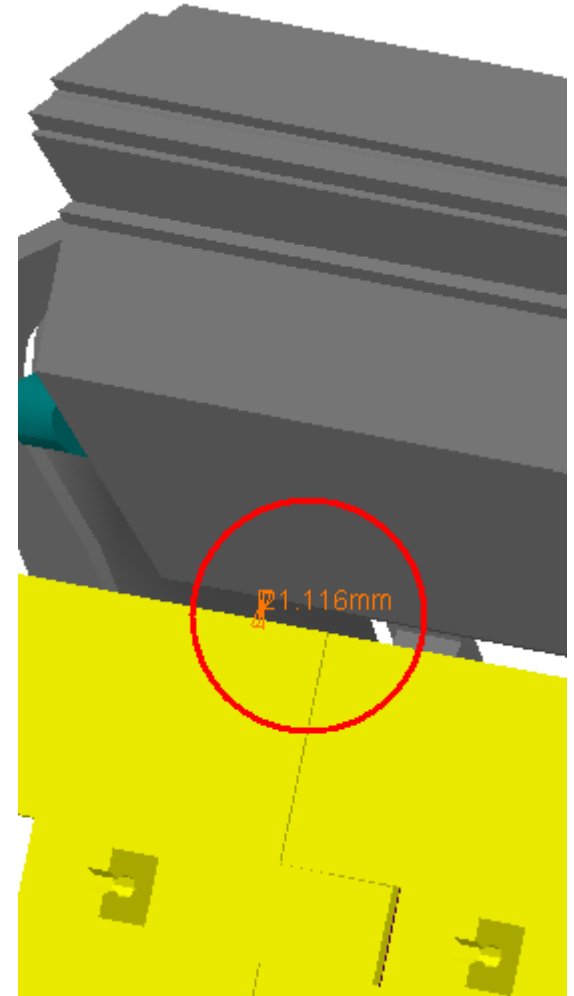
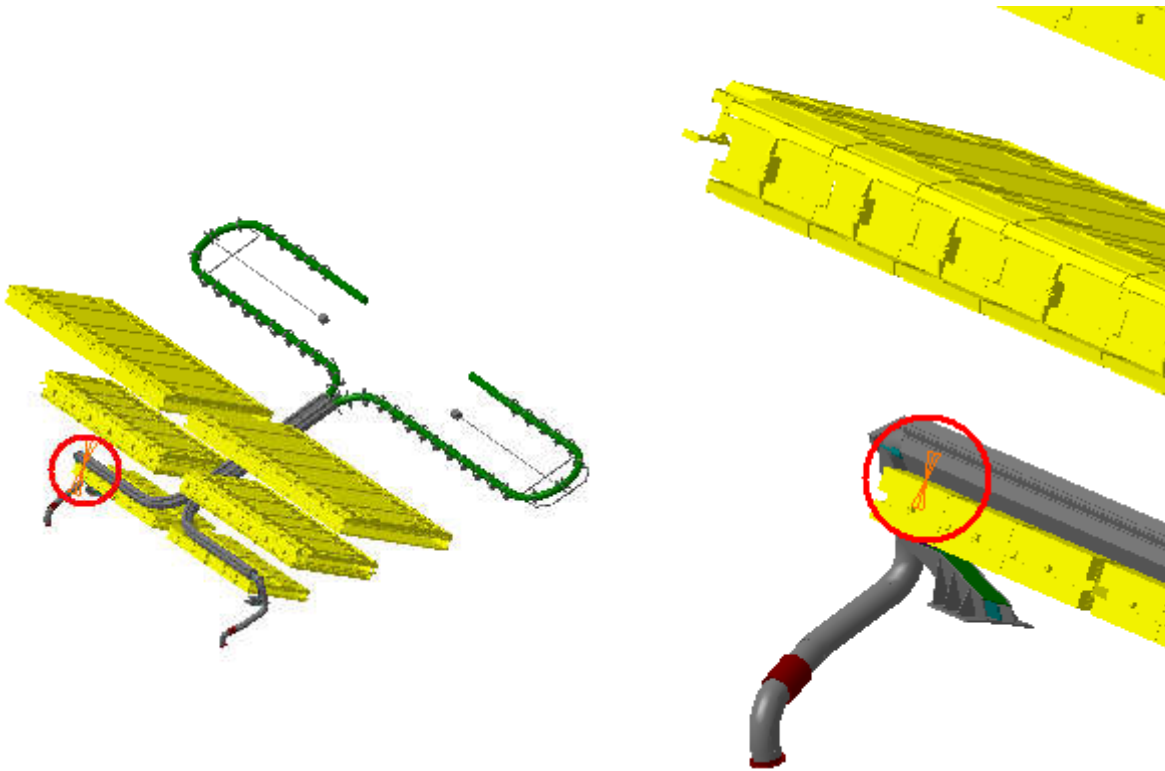
ATCNSE\_0001 FLEXIBLE SAFETY  
PIPE FOR - LAR END-CAP  
CALORIMETER

AT602157MQ MCB Muon Barrel  
Chambers Detailed

Vector coordinate  
 $\Delta X \approx 14.93\text{mm}$   $\Delta Y \approx -14.93\text{mm}$   $\Delta Z \approx 0.18\text{mm}$

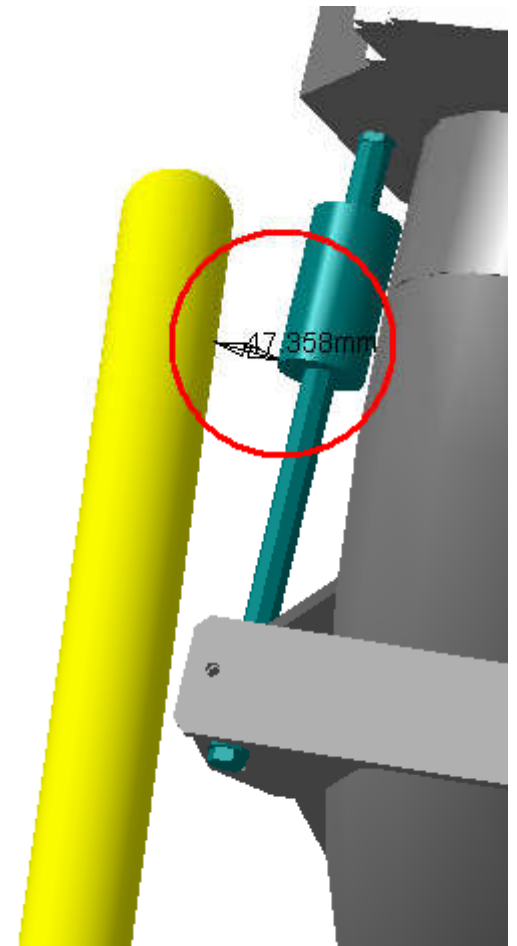
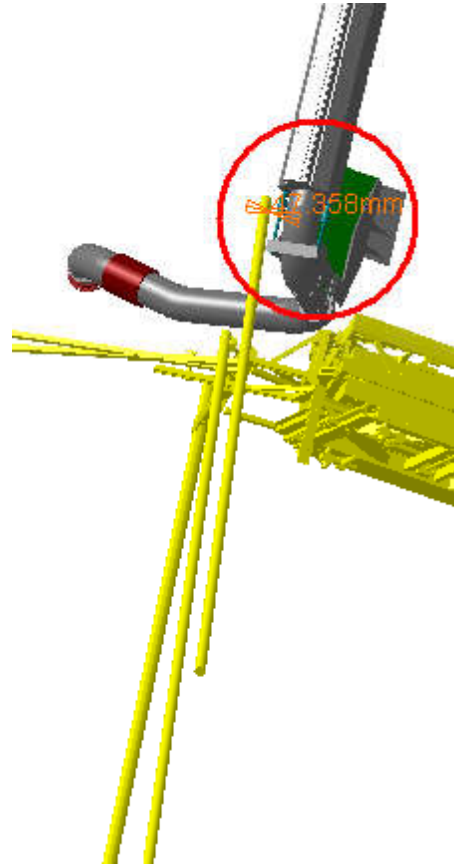
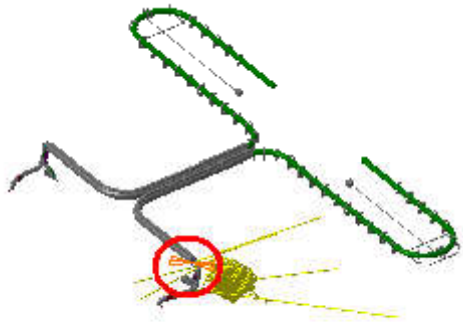
21.12mm

Warning



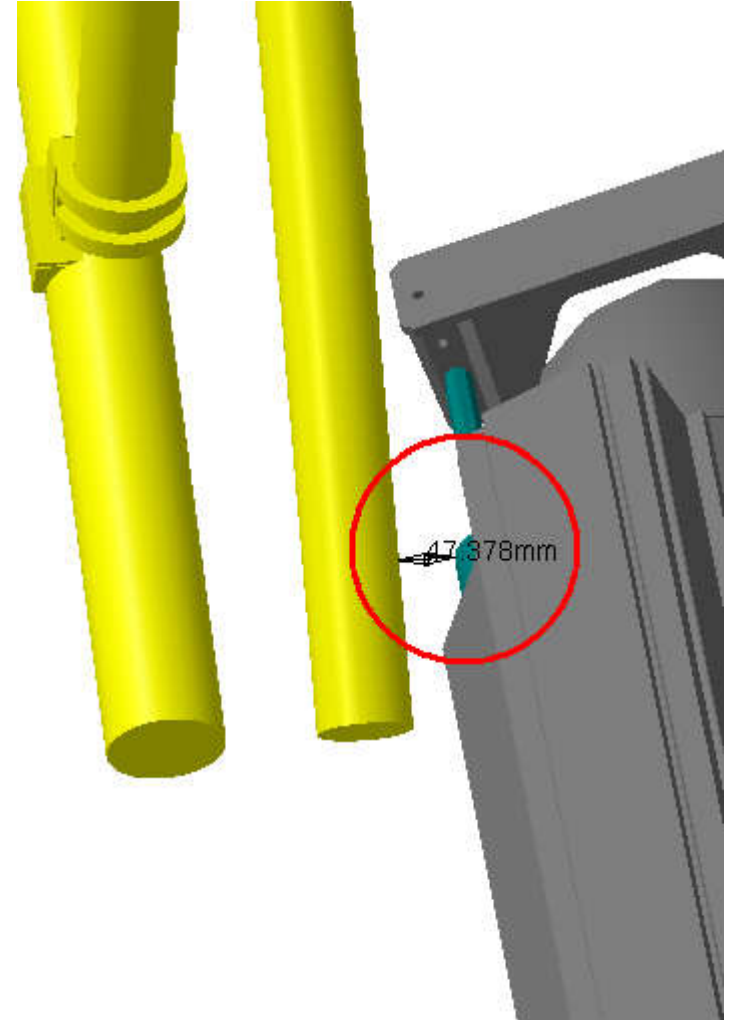
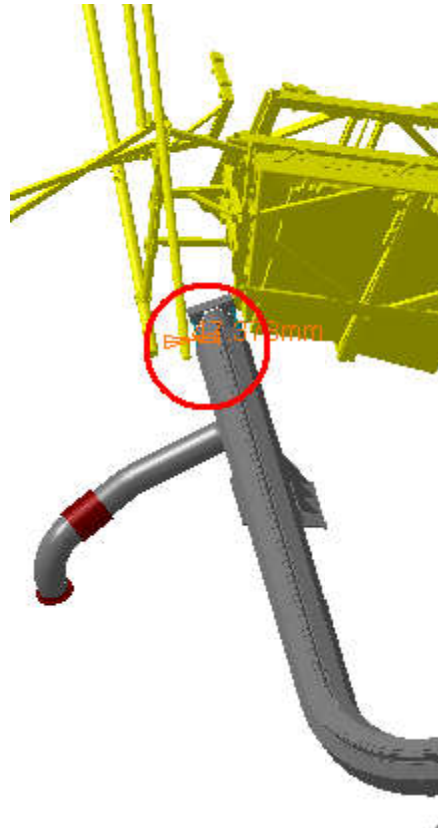
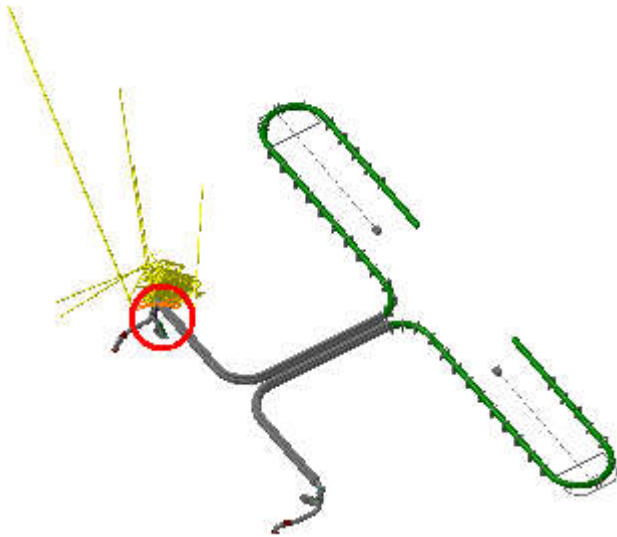
Side A  
Sector 7

ATCNSE_0001 FLEXIBLE SAFETY PIPE FOR - LAR END-CAP CALORIMETER	AT632631MQ Alignment BAR EIL4	Vector coordinate $\Delta X \approx 41.29\text{mm}$ $\Delta Y \approx 23.19\text{mm}$ $\Delta Z \approx -0.29\text{mm}$	47.36mm	Not Relevant
--	-------------------------------	--	---------	--------------



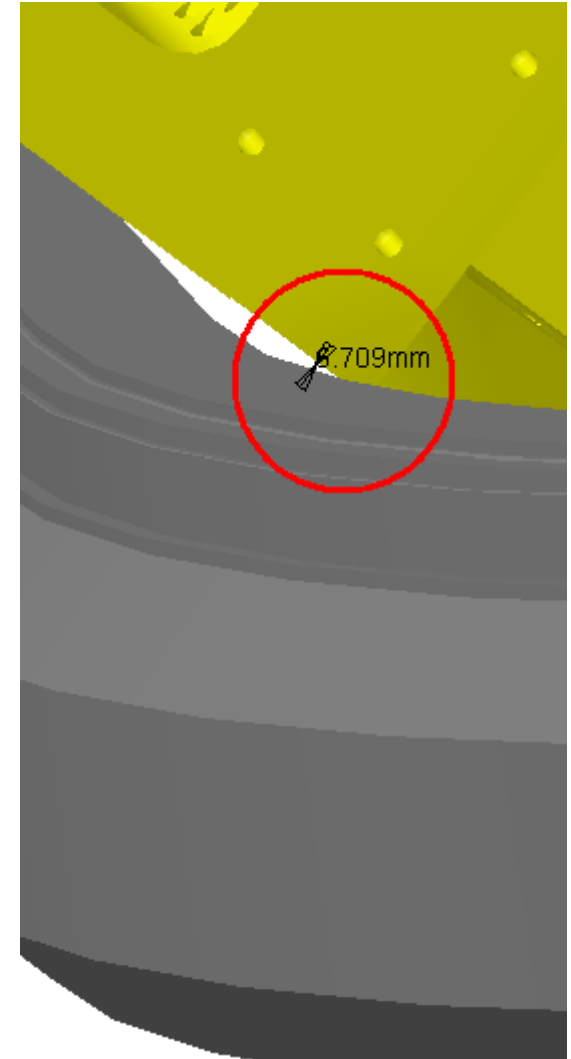
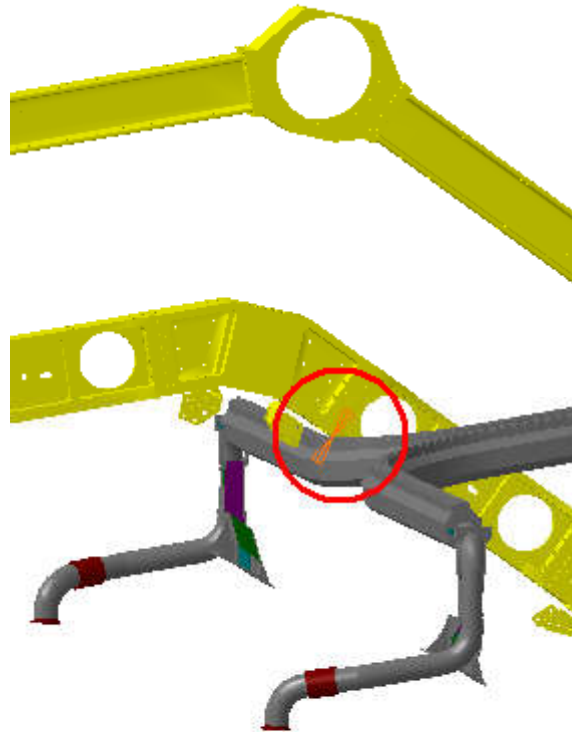
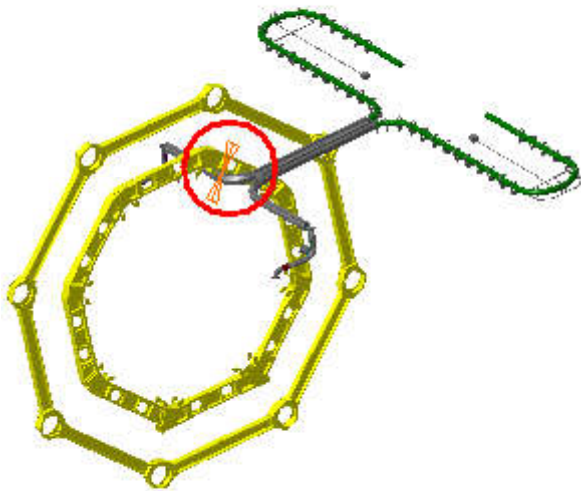
Side C  
 Sector 7

ATCNSE_0001 FLEXIBLE SAFETY PIPE FOR - LAR END-CAP CALORIMETER	AT632806MQ Alignment BAR EIL4	Vector coordinate $\Delta X \approx 41.31\text{mm}$ $\Delta Y \approx 23.2\text{mm}$ $\Delta Z \approx -0.29\text{mm}$	47.38mm	Not Relevant
--	-------------------------------	---	---------	--------------



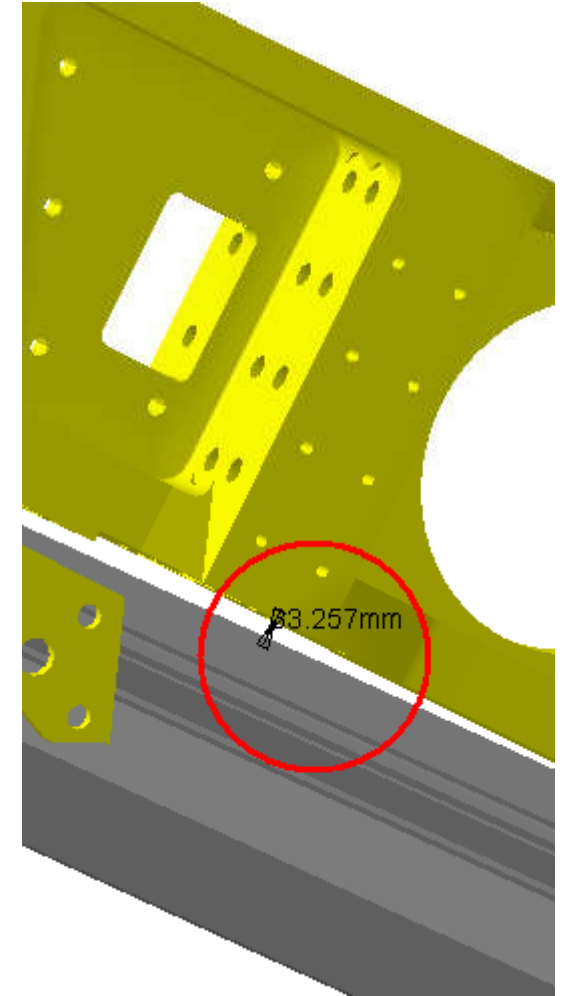
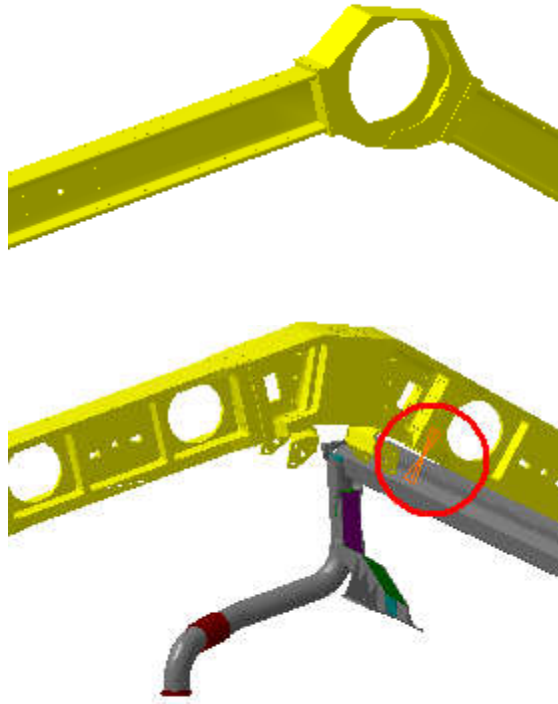
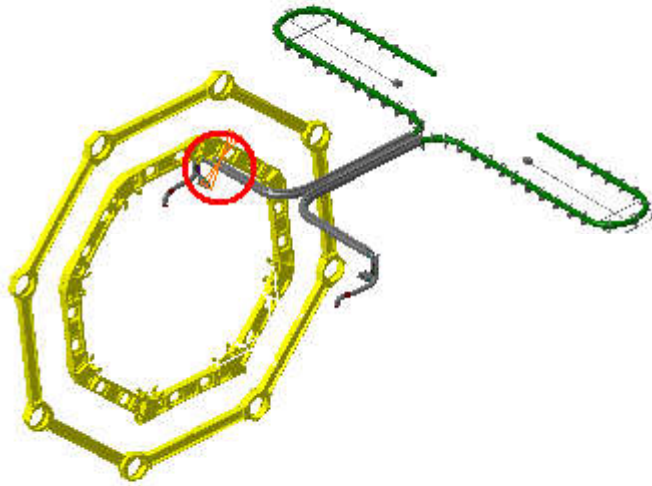
Side A  
Sector 7

ATCNSE_0001 FLEXIBLE SAFETY PIPE FOR - LAR END-CAP CALORIMETER	AT812126MQ TBW Structure	Vector coordinate $\Delta X \approx -4.69\text{mm}$ $\Delta Y \approx 4.68\text{mm}$ $\Delta Z \approx -1.08\text{mm}$	6.71 mm	Not Relevant
--	--------------------------	---	---------	--------------



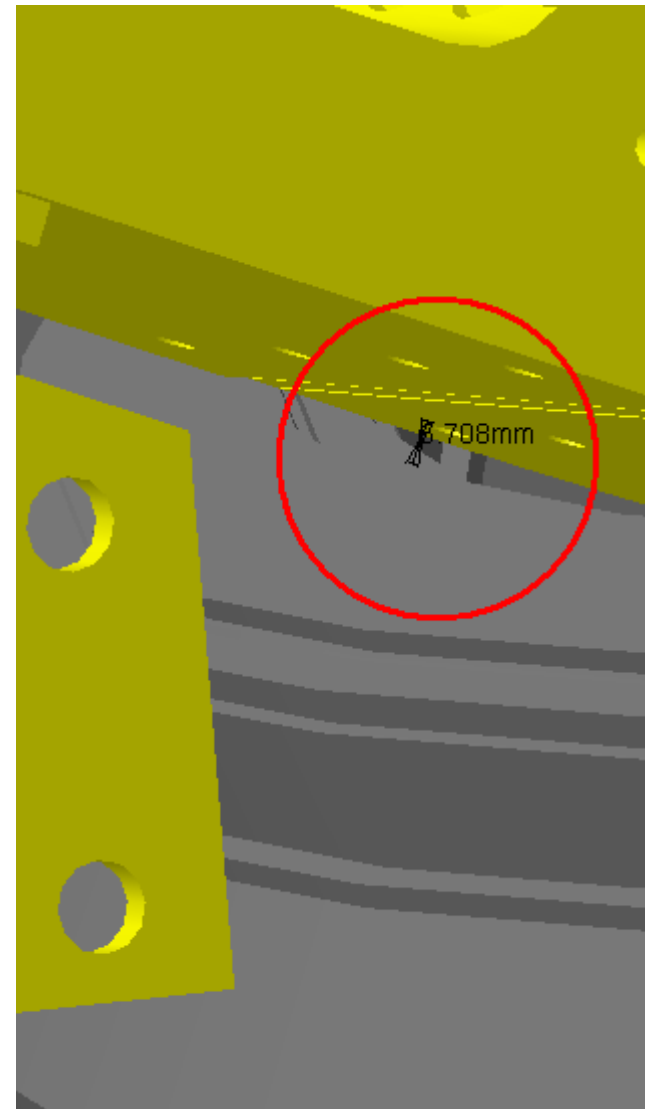
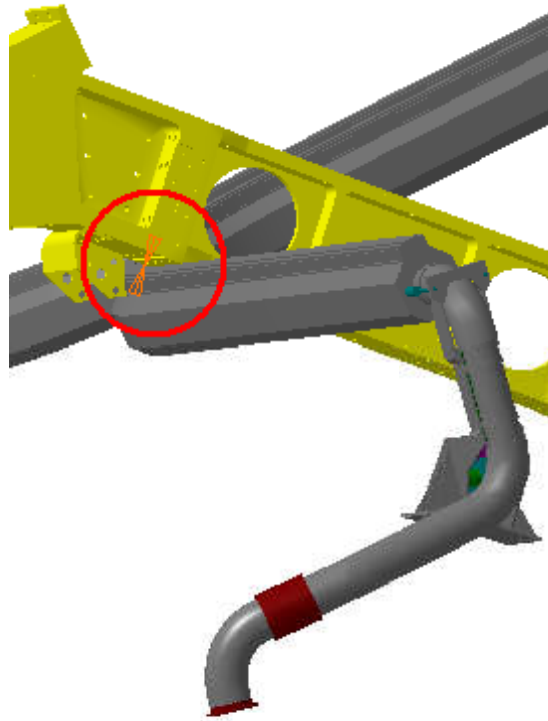
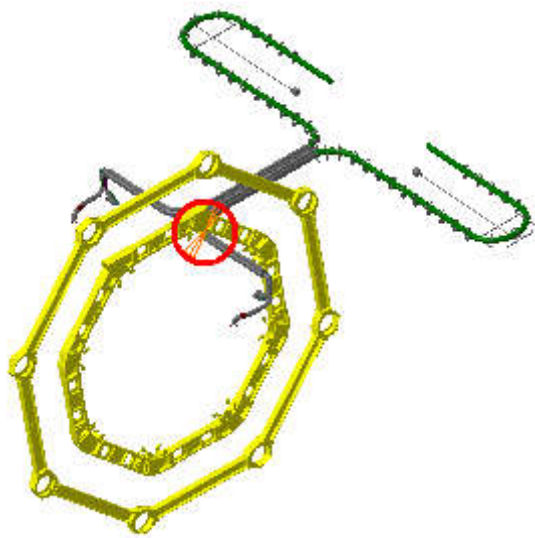
Side A  
Sector 7

ATCNSE_0001 FLEXIBLE SAFETY PIPE FOR - LAR END-CAP CALORIMETER	AT812127MQ TBW Structure	Vector coordinate $\Delta X \approx -23.52\text{mm}$ $\Delta Y \approx 23.51\text{mm}$ $\Delta Z \approx -0.29\text{mm}$	33.26mm	Not Relevant
--	--------------------------	---	---------	--------------



Side A  
Sector 7

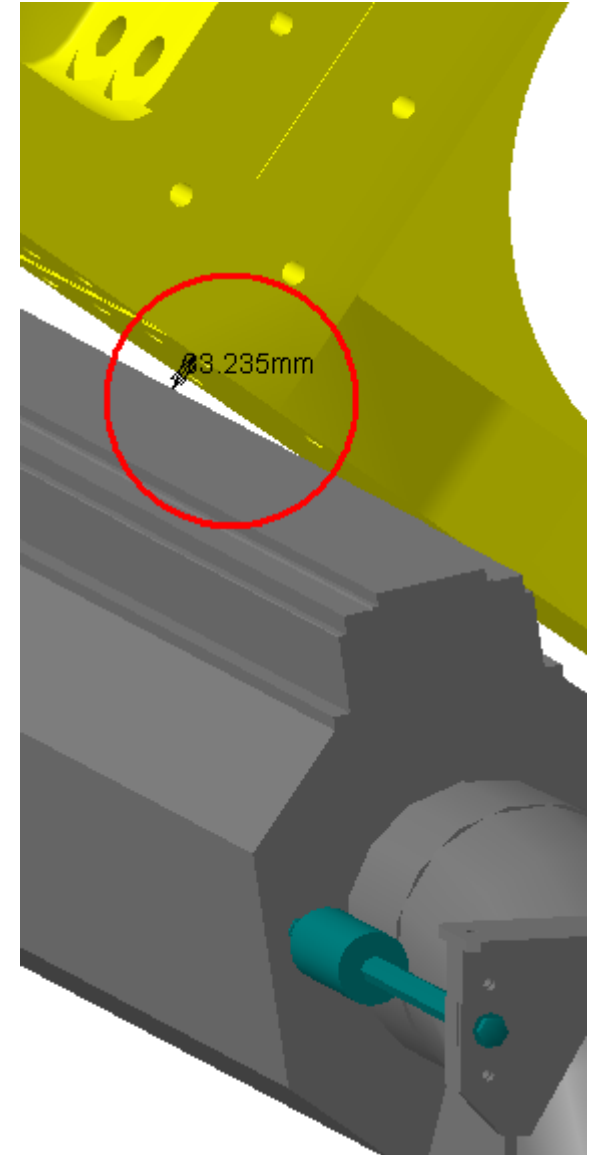
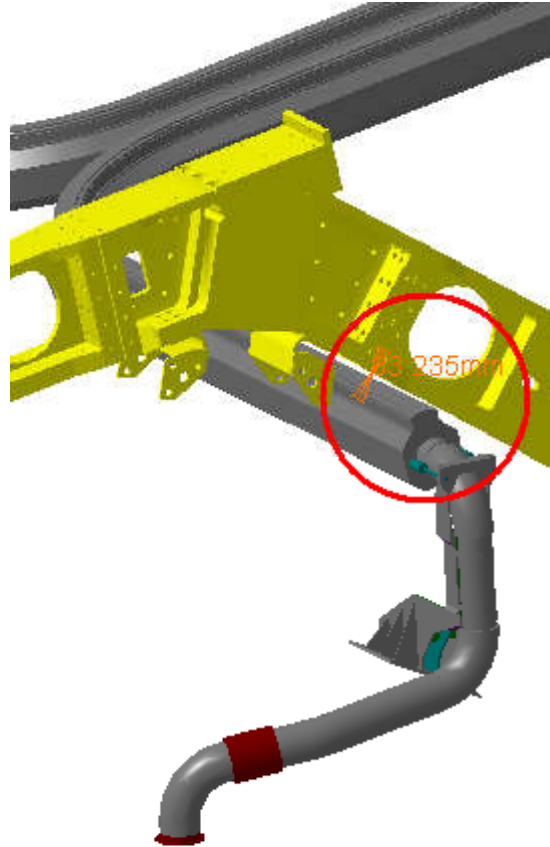
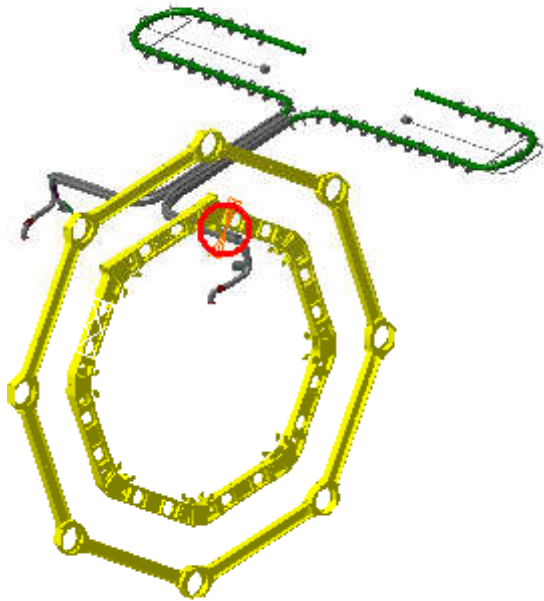
ATCNSE_0001 FLEXIBLE SAFETY PIPE FOR - LAR END-CAP CALORIMETER	AT812126MQ M TBW Structure	Vector coordinate $\Delta X \approx -4.69\text{mm}$ $\Delta Y \approx 4.7\text{mm}$ $\Delta Z \approx 0.96\text{mm}$	6.71mm	Not Relevant
--	----------------------------	---	--------	--------------



Side C  
 Sector 7



ATCNSE_0001 FLEXIBLE SAFETY PIPE FOR - LAR END-CAP CALORIMETER	AT812127MQ M TBW Structure	Vector coordinate $\Delta X \approx -23.5\text{mm}$ $\Delta Y \approx 23.5\text{mm}$ $\Delta Z \approx -0.29\text{mm}$	33.24mm	Not Relevant
--	----------------------------	---	---------	--------------



Side C  
Sector 7