

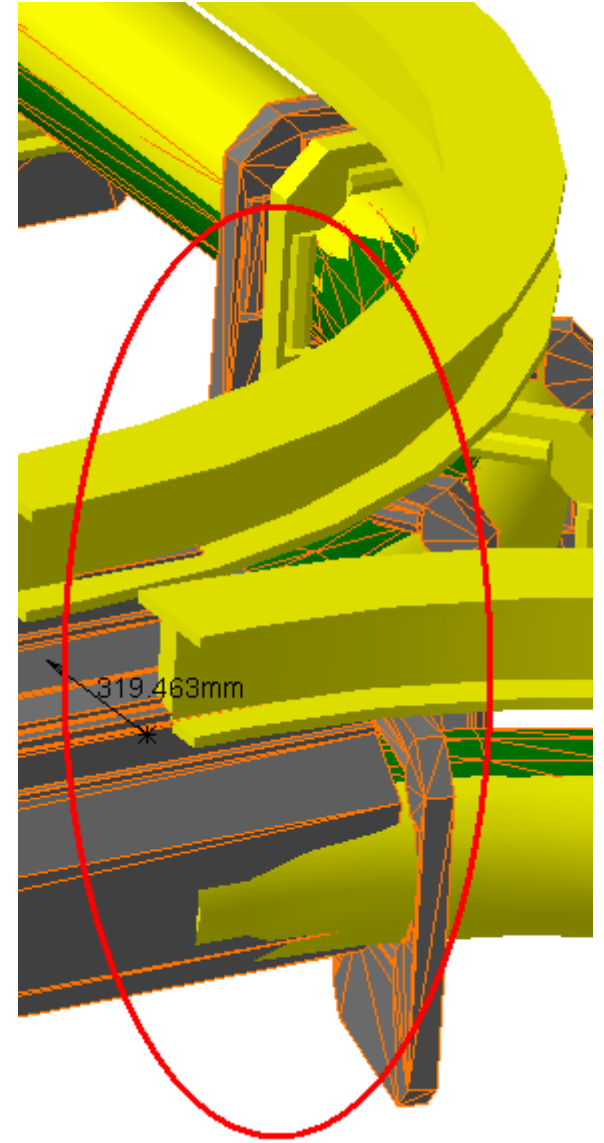
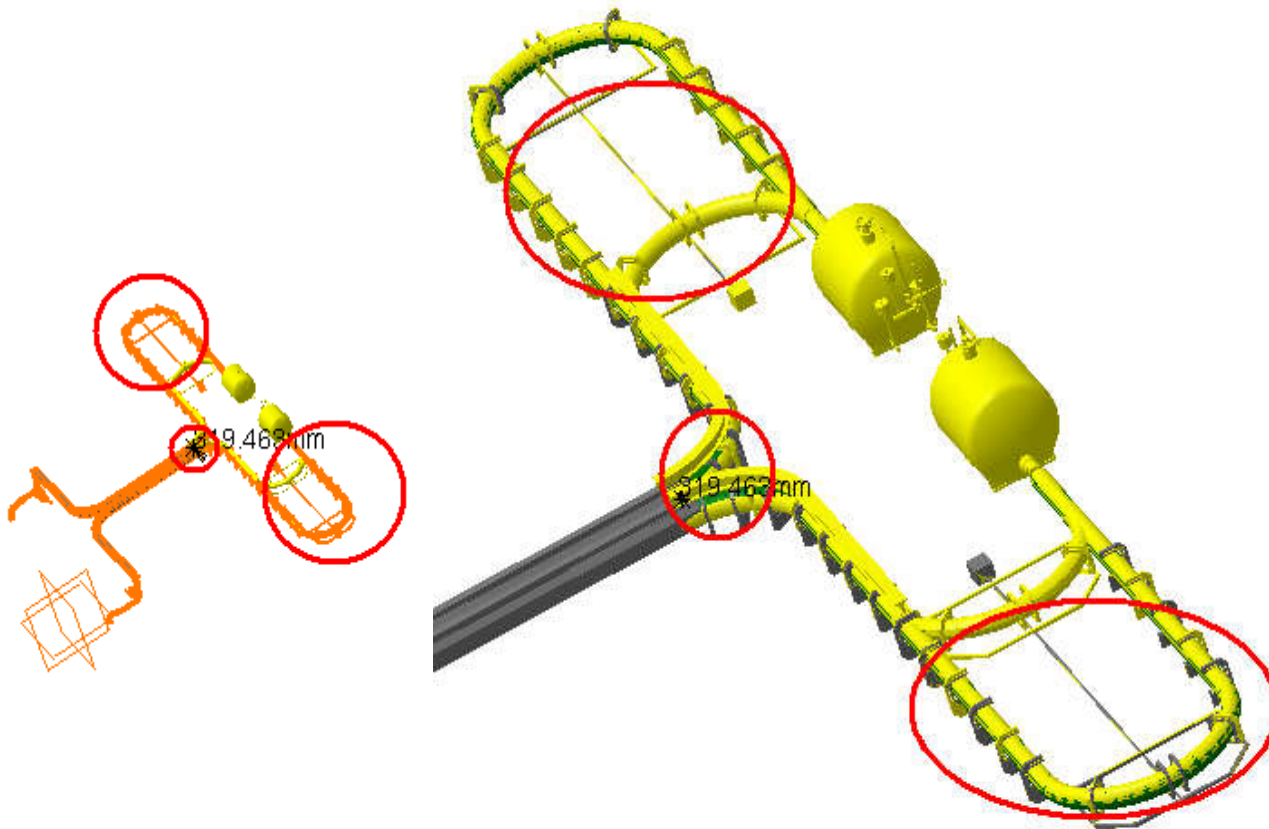
# Clash Publish



Clash Computation Specification			
Products Selected			
ATCNSE_0001 FLEXIBLE SAFETY PIPE FOR - LAR END-CAP CALORIMETER	ATCNFX_0006 AR ENDCAP EXPANSION VESSEL - AND TRANSFER LINES FOR STANDARD	-319.46	Not Relevant
	ATCNFH_0008 HS METALLIC STRUCTURE - SIDE USA15 - UPPER PART	-29.95	Not Relevant
	ATCNNA_0013 SECTOR 06 SIDE C (A) - REFERENCE ALIGNMENT SYSTEM AND	-64.78	Not Relevant

Revised with Denis 21/11/2005

ATCNSE_0001 FLEXIBLE SAFETY PIPE FOR - LAR END-CAP CALORIMETER	ATCNFX_0006 AR ENDCAP EXPANSION VESSEL - AND TRANSFER LINES FOR STANDARD	Clash	-319.46mm	Not Relevant
--	--	-------	-----------	--------------



Denis: Model is not up-to-date

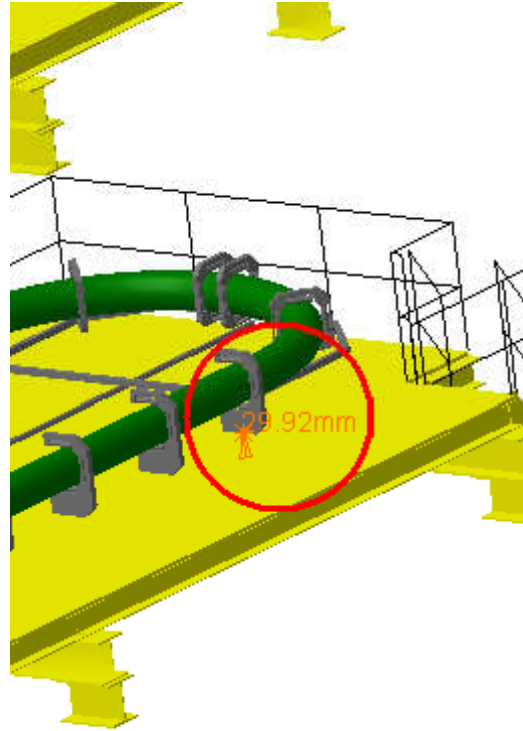
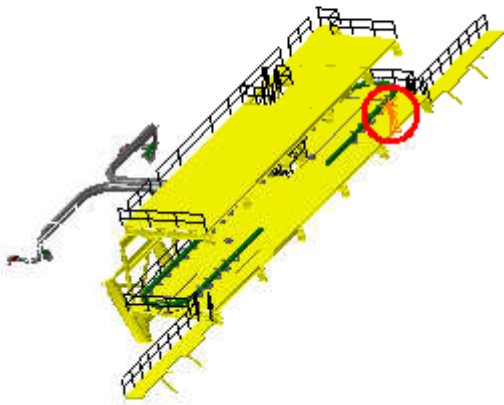
ATCNSE\_0001 FLEXIBLE SAFETY PIPE FOR -  
LAR END-CAP CALORIMETER

ATCNFH\_0008 HS METALLIC  
STRUCTURE - SIDE USA15 - UPPER PART

Clash

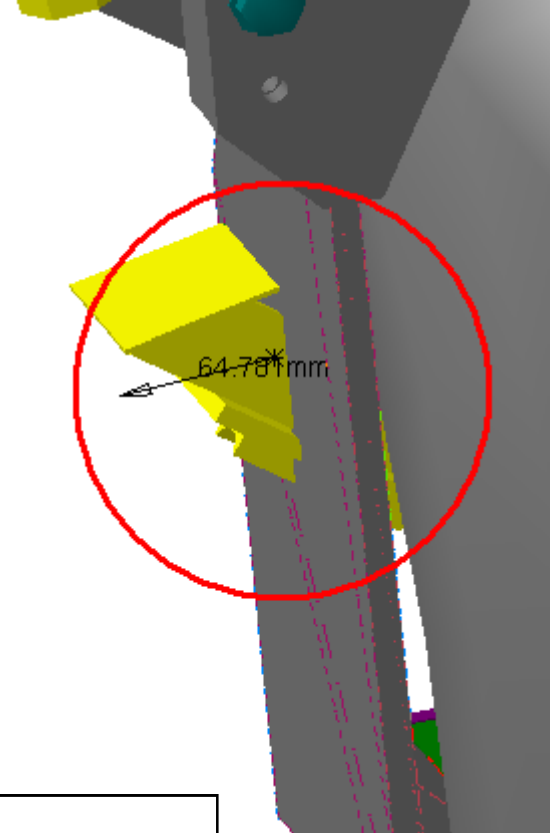
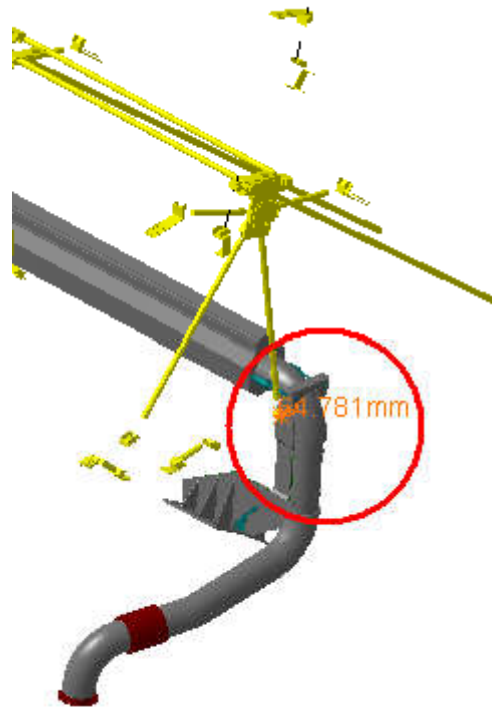
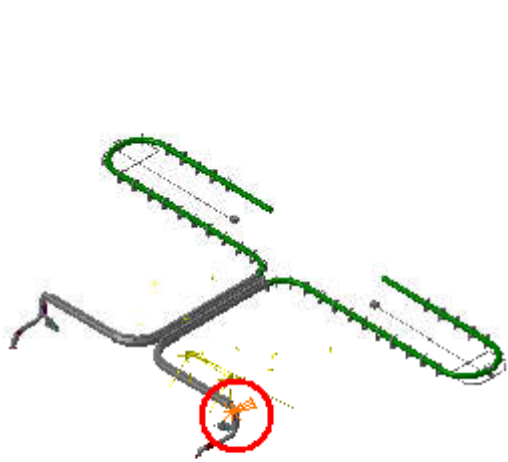
-29.92mm

Not Relevant



Denis: This is old model, contact with  
Patrick Petit

ATCNSE_0001 FLEXIBLE SAFETY PIPE FOR - LAR END-CAP CALORIMETER	ATCNNA_0013 SECTOR 06 SIDE C (A) - REFERENCE ALIGNMENT SYSTEM AND	Clash	-64.78mm	Not Relevant
---	--	-------	----------	--------------



Denis: This is old model, new one is  
AT672146MQ

# Clash View 1:

