

Clearance Publish

Clearance = 50mm

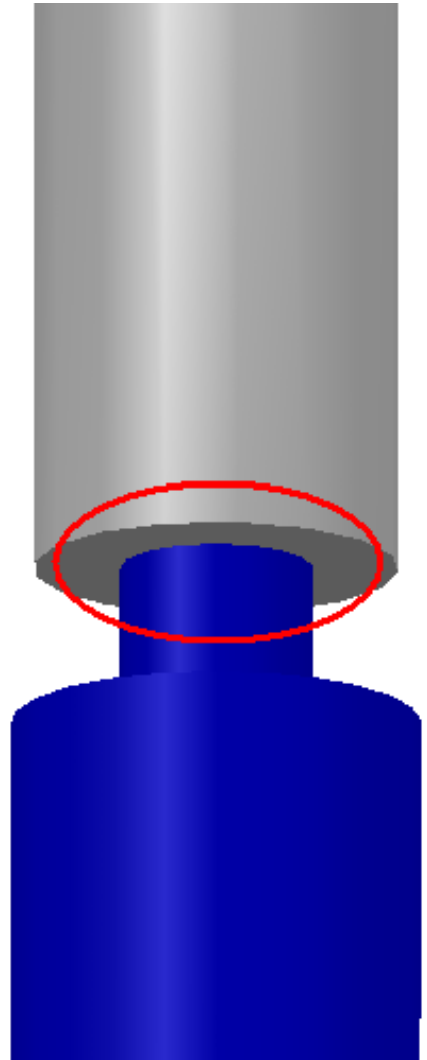
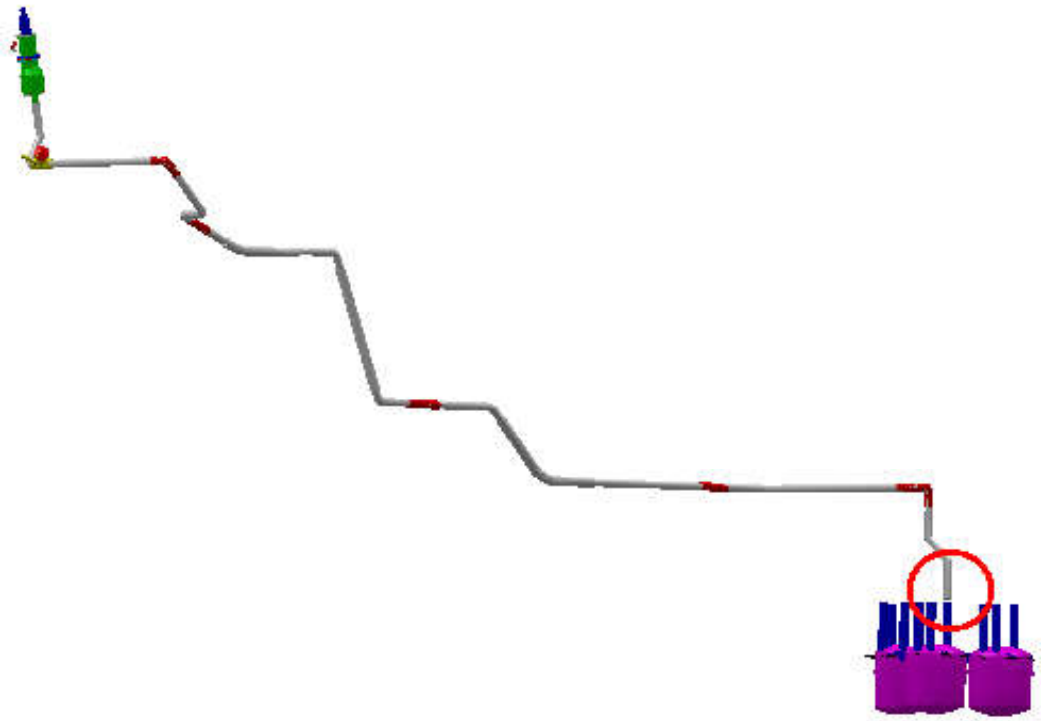


Clearance Computation Specification

Products Selected		Value	Status
NSB_0003 - BARREL CALORIMETER LAR DRAIN LINE - SIMPLIFIED 3D OBJECT	NFH_0007 - HS METALLIC STRUCTURE - SIDE USA15 - LOWER PART	48 mm	Not Relevant
	NLB_0002 - LB TILE CALORIMETER - SIMPLIFIED 3-D OBJECT	22.9 mm	Not Relevant
	NLE_0002 - LE END-CAP CALORIMETER - SIDE A	23 mm	Not Relevant
	NSB_0006 - LAR VACUUM FT LINES SIDE A - SIMPLIFIED 3D OBJECTS	9 mm	Not Relevant
	NSB_0007 - BARREL LAR INSULATION LINE - SIMPLIFIED 3D OBJECT	16.5 mm	Not Relevant
	NSB_0008 - BARREL LAR BOTTOM FT VACUUM LINES - SIMPLIFIED 3D OBJECT	22.5 mm	Not Relevant
	NSE_0004 - DRAIN PIPE FOR - LAR END-CAP CALORIMETER	35.3 mm	Not Relevant

Revised by Peter Kulka 30/11/2005

NSB_0003 - BARREL CALORIMETER LAR DRAIN LINE - SIMPLIFIED 3D OBJECT	NFX_0013 - AR EXT VB'S UX15 - STANDARD DRAWING	Contact	0 mm	Not Relevant
---	--	---------	------	--------------



SIDE C
Sector 11

NSB_0003 - BARREL
CALORIMETER LAR DRAIN LINE
- SIMPLIFIED 3D OBJECT

NFH_0007 - HS METALLIC
STRUCTURE - SIDE USA15 -
LOWER PART

Clearance

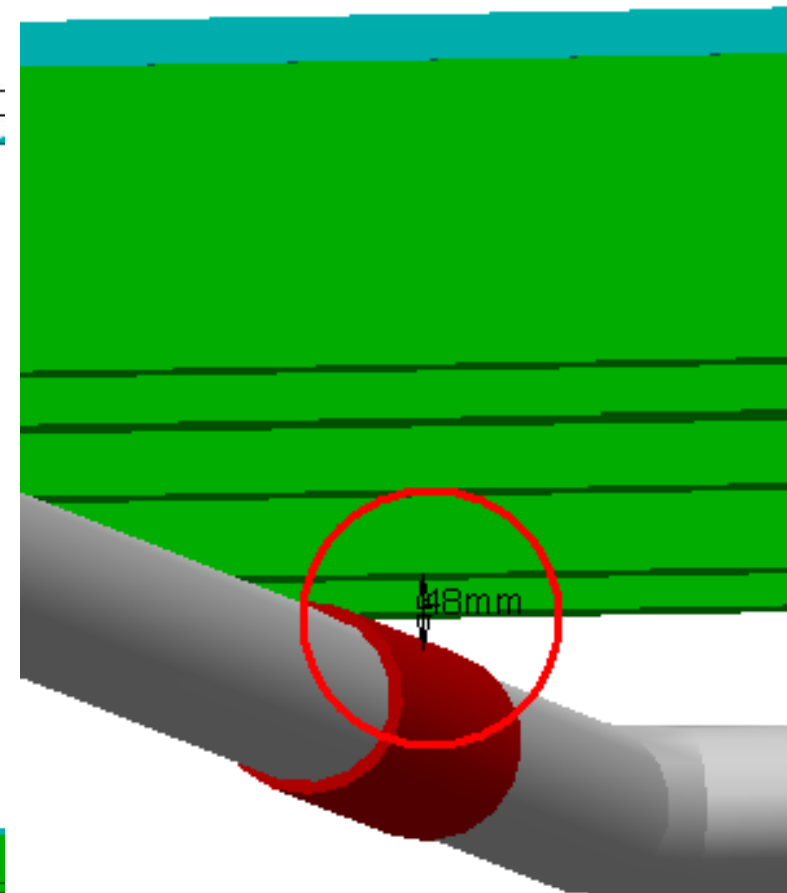
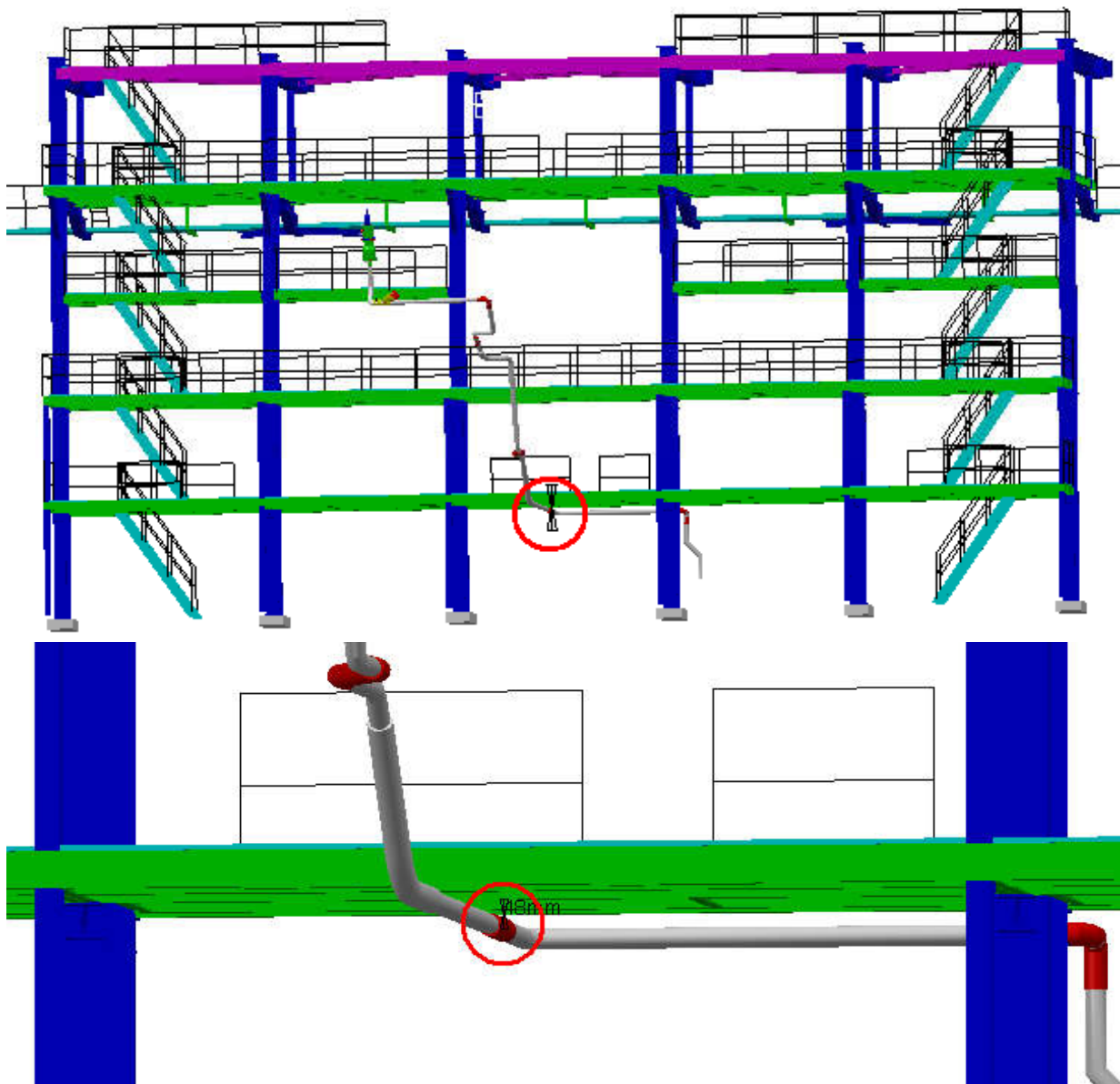
48 mm

$\Delta X \approx 0$

$\Delta Y \approx 48$

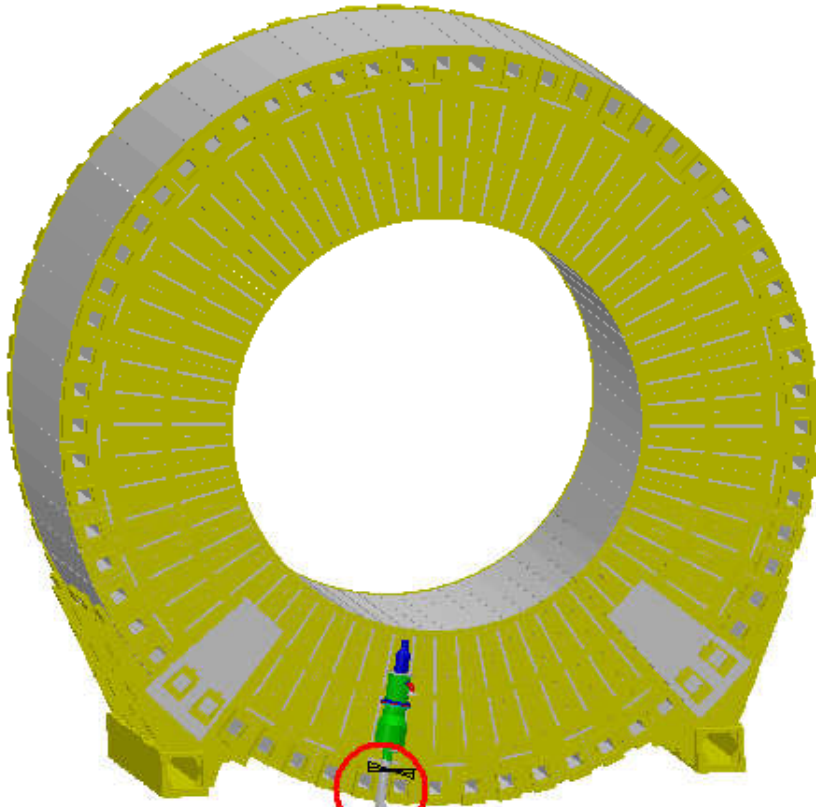
$\Delta Z \approx 0$

Not Relevant



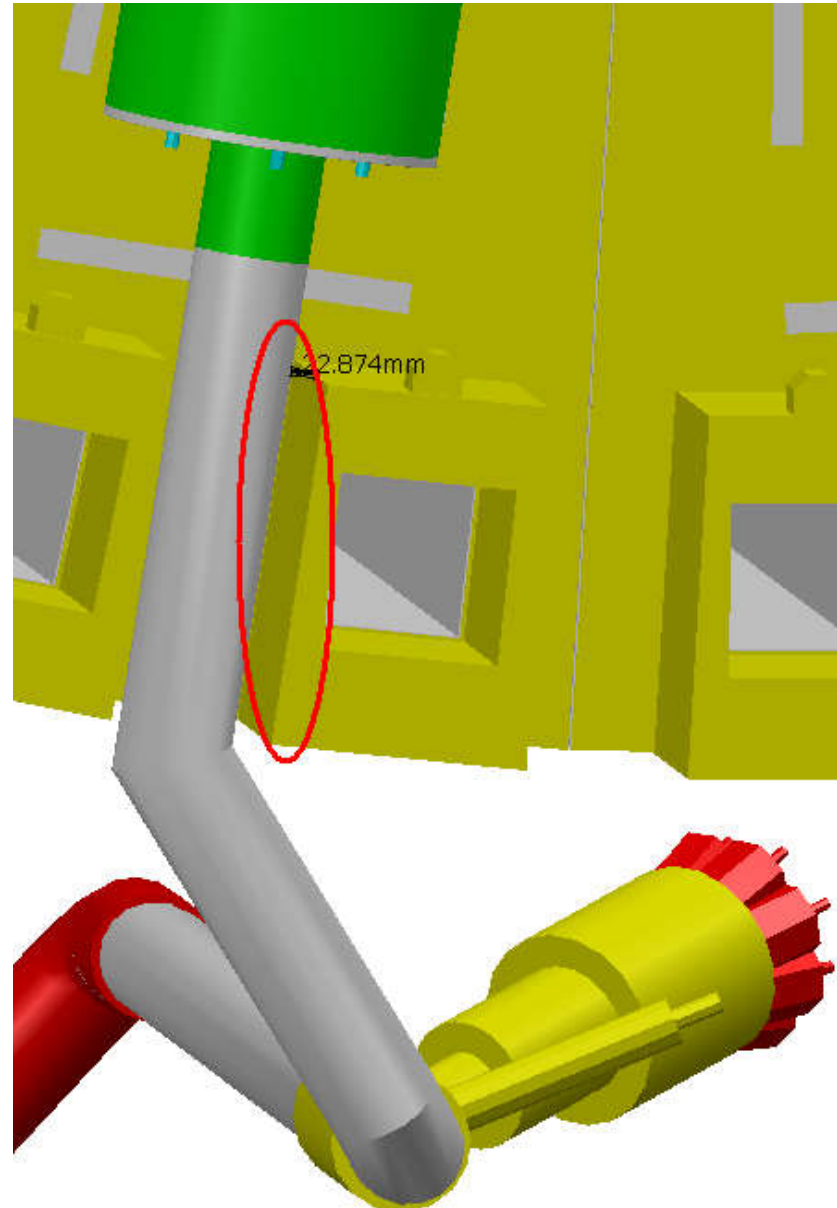
SIDE A
Sectors 11

NSB_0003 - BARREL CALORIMETER LAR DRAIN LINE - SIMPLIFIED 3D OBJECT	NLB_0002 - LB TILE CALORIMETER - SIMPLIFIED 3-D OBJECT	Clearance	22.9 mm			Not Relevant
			$\Delta X \approx 22.4$	$\Delta Y \approx -4.5$	$\Delta Z \approx 0$	

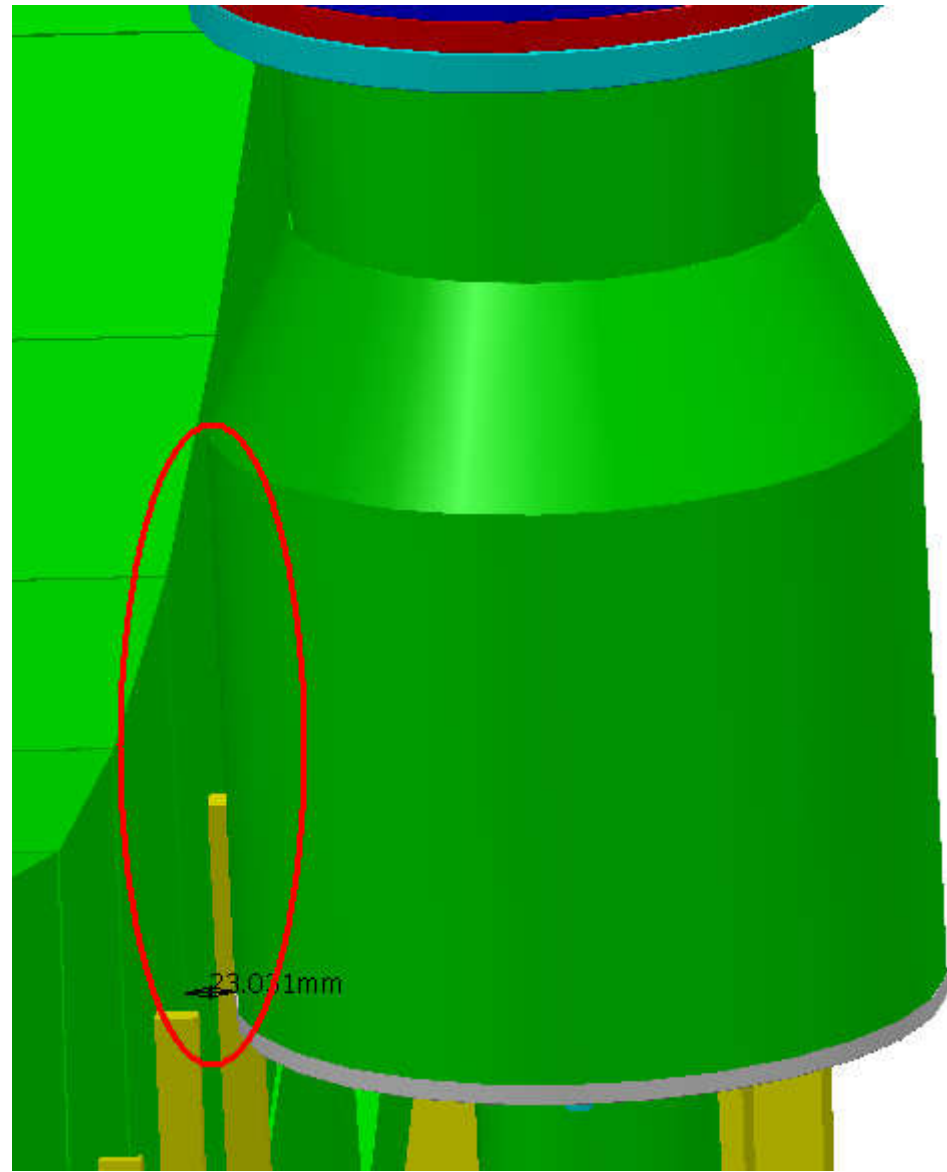
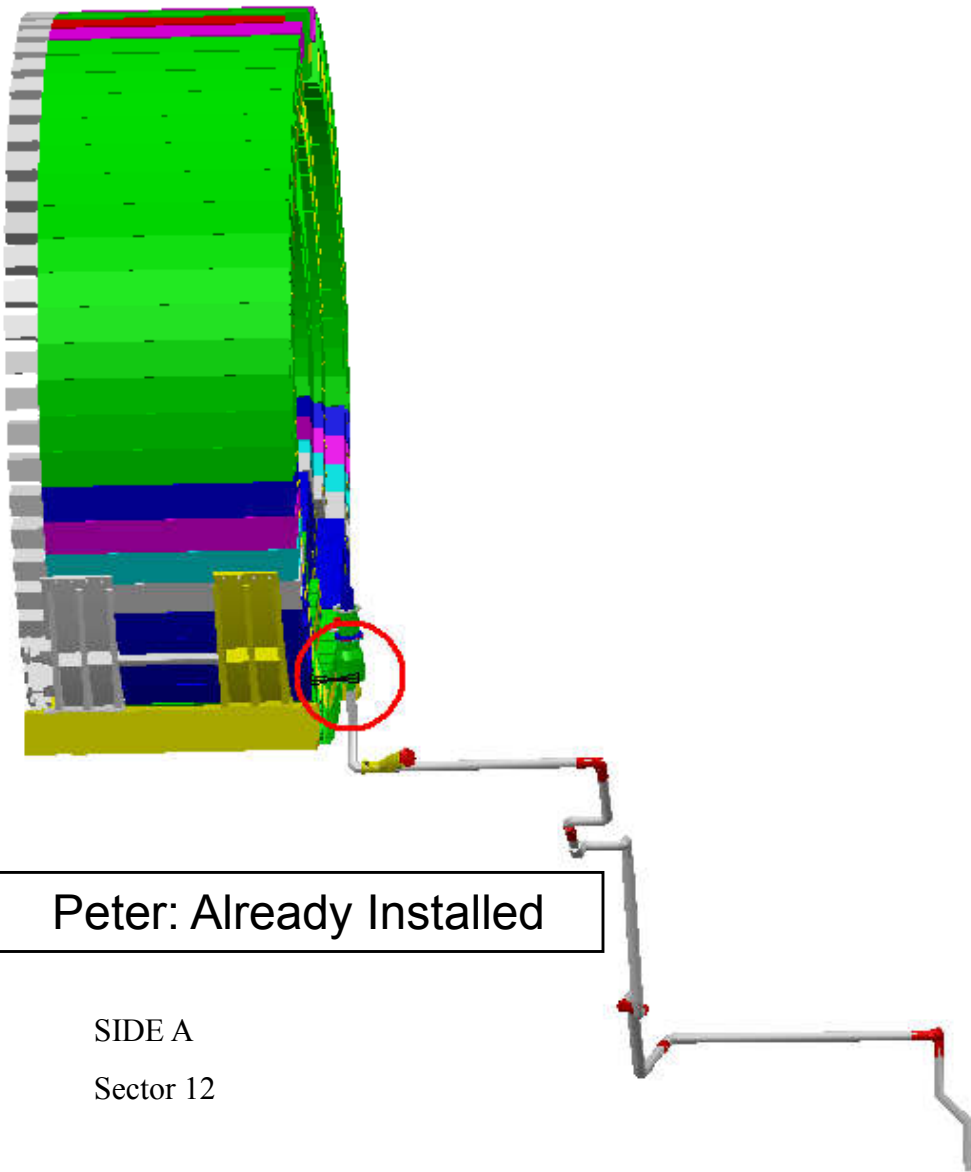


Peter: Already Installed

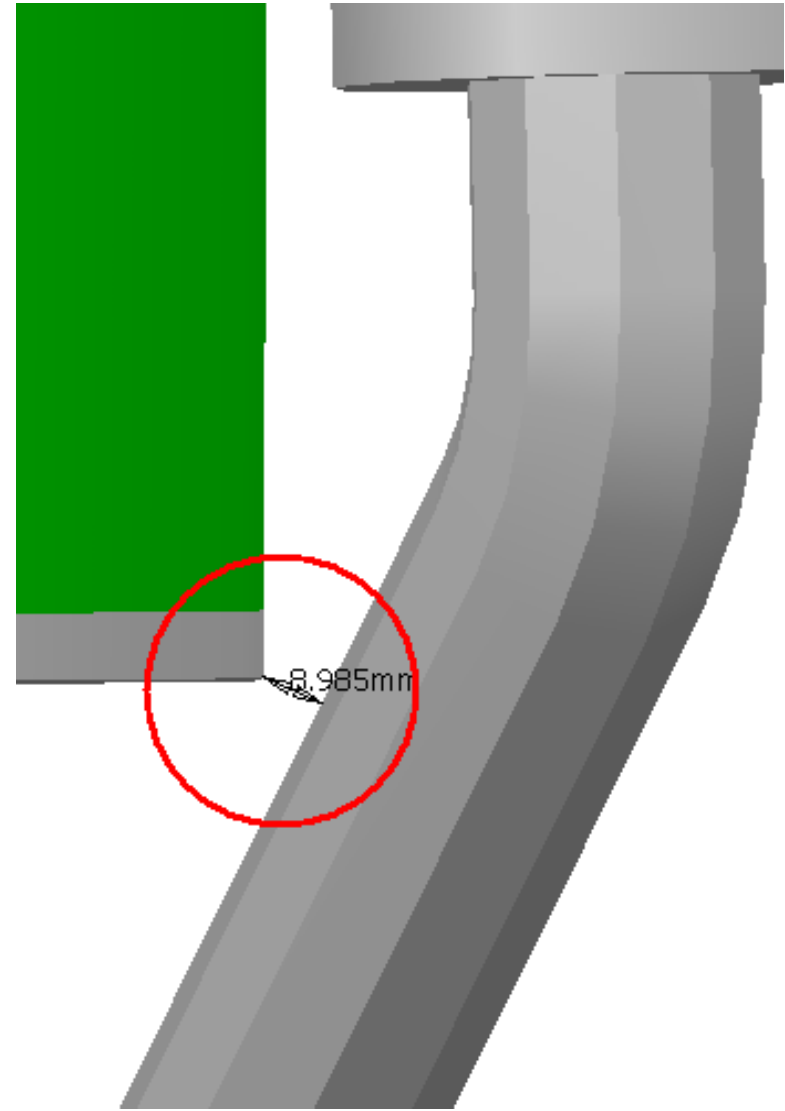
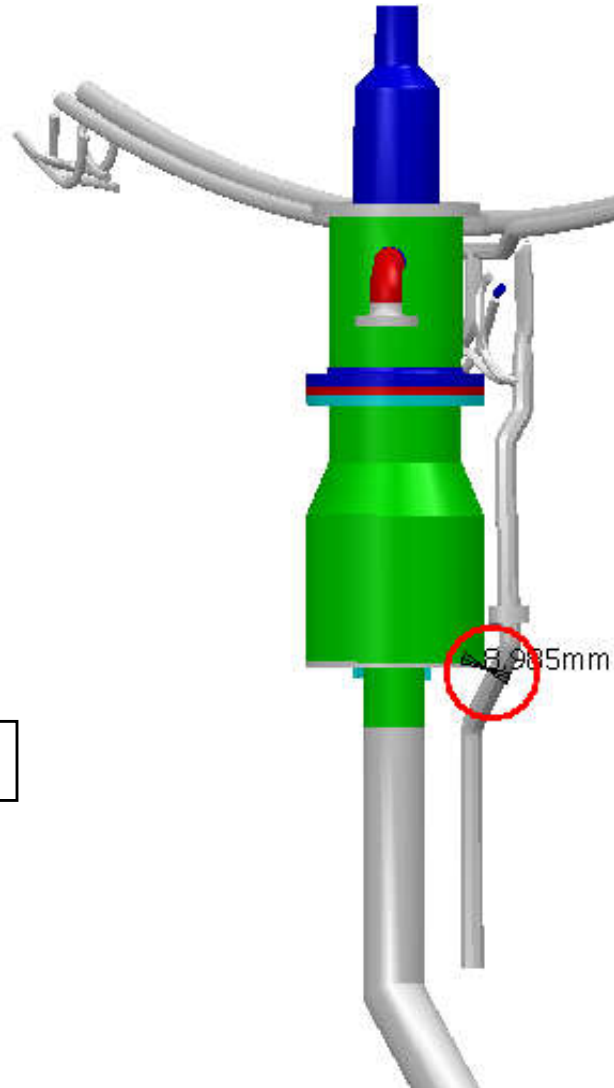
SIDE A
Sector 12



NSB_0003 - BARREL CALORIMETER LAR DRAIN LINE - SIMPLIFIED 3D OBJECT	NLE_0002 - LE END-CAP CALORIMETER - SIDE A	Clearance	23 mm			Not Relevant
			$\Delta X \approx 0$	$\Delta Y \approx 0$	$\Delta Z \approx -23$	



NSB_0003 - BARREL CALORIMETER LAR DRAIN LINE - SIMPLIFIED 3D OBJECT	NSB_0006 - LAR VACUUM FT LINES SIDE A - SIMPLIFIED 3D OBJECTS	Clearance	9 mm			Not Relevant
			$\Delta X \approx 4.1$	$\Delta Y \approx -4.5$	$\Delta Z \approx 6.6$	



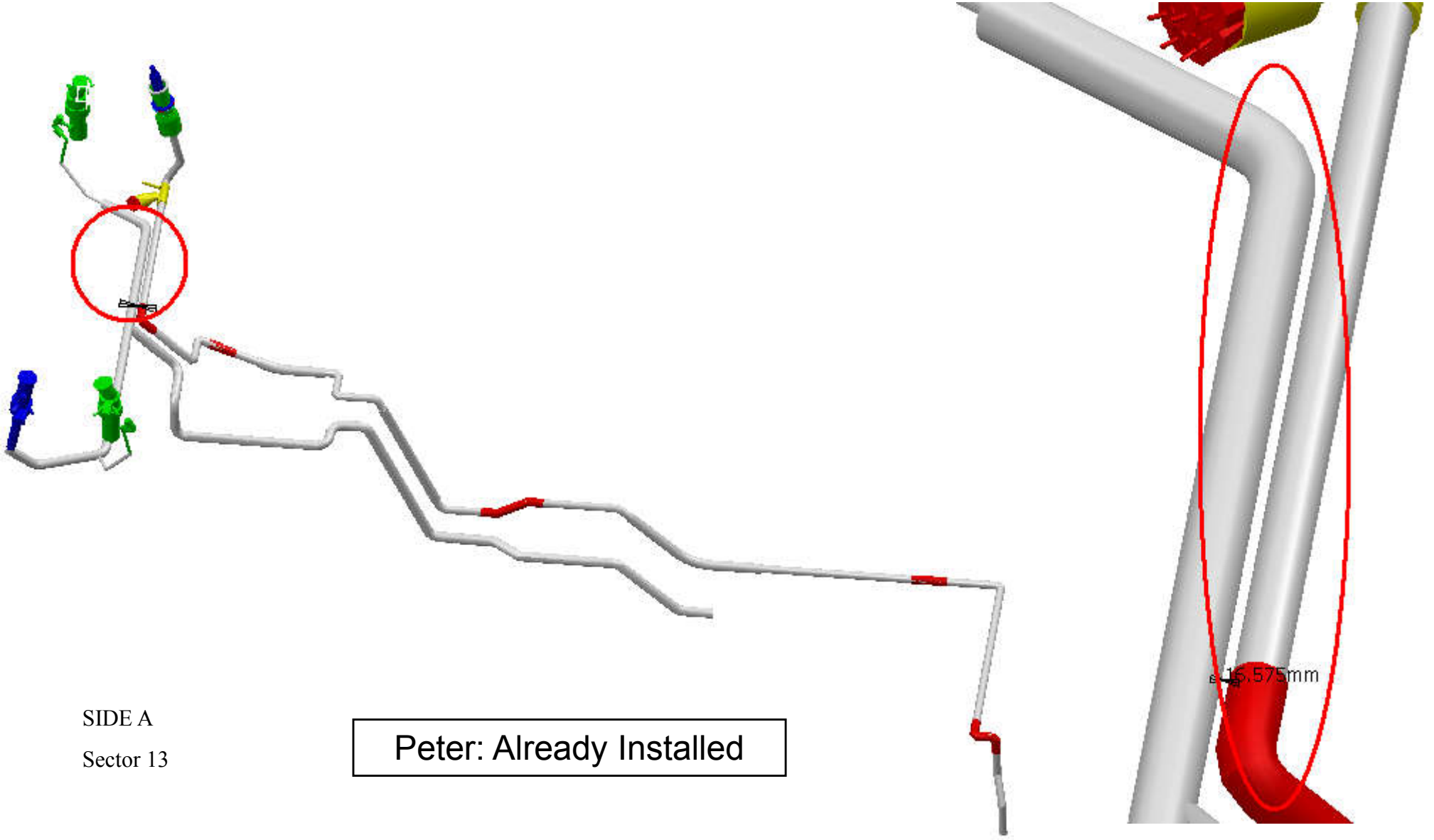
Peter: Already Installed

SIDE A
Sector 12

NSB_0003 - BARREL
CALORIMETER LAR DRAIN
LINE - SIMPLIFIED 3D OBJECT

NSB_0007 - BARREL LAR
INSULATION LINE - SIMPLIFIED 3D
OBJECT

Clearance	16.5 mm			Not Relevant
	$\Delta X \approx 16.5$	$\Delta Y \approx 0$	$\Delta Z \approx 0$	



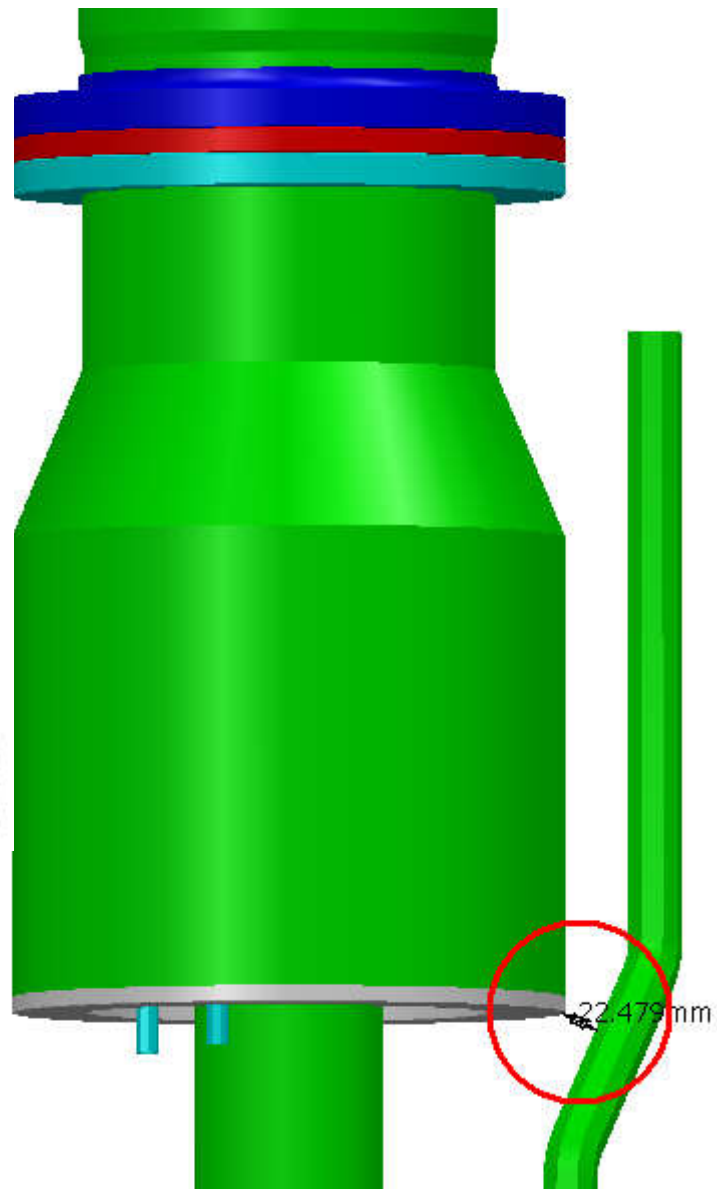
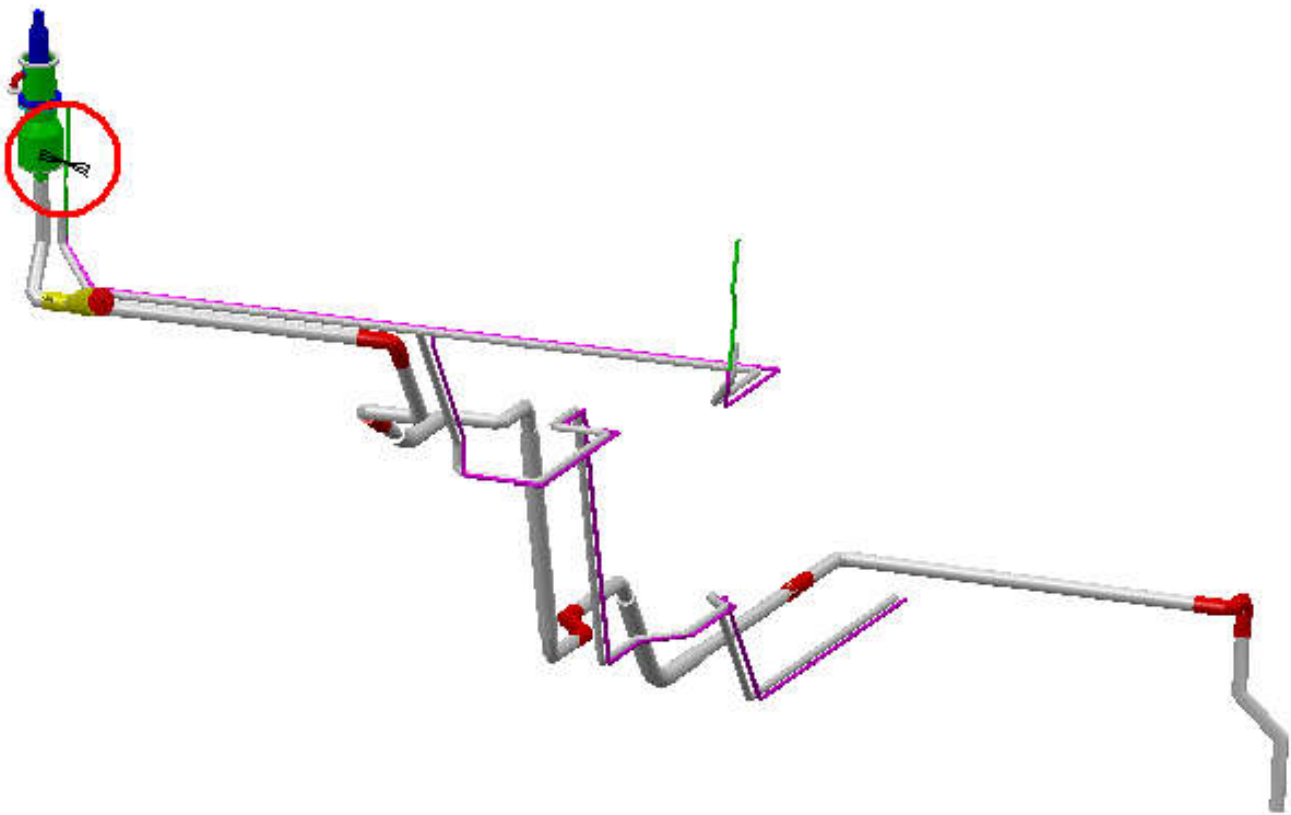
SIDE A
Sector 13

Peter: Already Installed

NSB_0003 - BARREL
CALORIMETER LAR DRAIN
LINE - SIMPLIFIED 3D OBJECT

NSB_0008 - BARREL LAR BOTTOM
FT VACUUM LINES - SIMPLIFIED
3D OBJECT

Clearance	22.5 mm			Not Relevant
	$\Delta X \approx -12.5$	$\Delta Y \approx -7.5$	$\Delta Z \approx 17$	



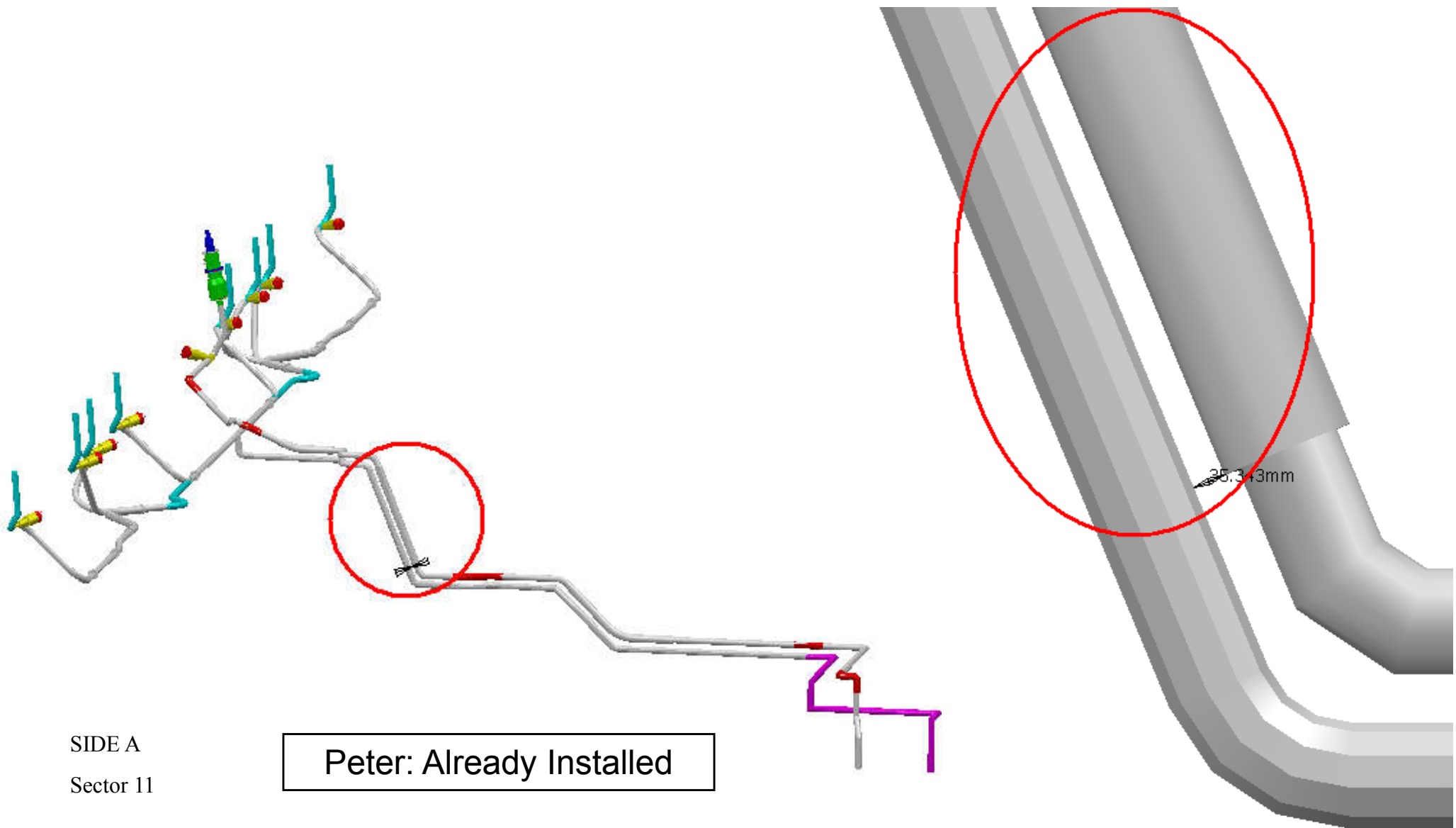
SIDE A
Sector 12

Peter: Already Installed

NSB_0003 - BARREL
CALORIMETER LAR DRAIN
LINE - SIMPLIFIED 3D OBJECT

NSE_0004 - DRAIN PIPE FOR - LAR
END-CAP CALORIMETER

Clearance	35.3 mm			Not Relevant
	$\Delta X \approx 32.6$	$\Delta Y \approx -13.5$	$\Delta Z \approx 0$	



SIDE A
Sector 11