



## Clash Publish

Clash Computation Specification			
Products Selected		Value	Status
NSB_0003 - BARREL CALORIMETER LAR DRAIN LINE - SIMPLIFIED 3D OBJECT	ZAB_0001 - AB INDIVIDUAL ENVELOPE - AND LOCATION OF INTERFACES	-289.9 mm	Not Relevant
	NFX_0012 - AR EXT TL'S UX15 - STANDARD DRAWING	-251.8 mm	Not Relevant
	NSB_0004 - LAR BARREL ELECTRONIC CRATES - SIMPLIFIED 3-D OBJECT	-23.5 mm	Not Relevant
	NSG_0013 - UX 15 - 1/2 CAVERN USA SIDE - COMPRESSED AIR ROUTING	-13.7 mm	????

Revised by Peter Kulka 30/11/2005

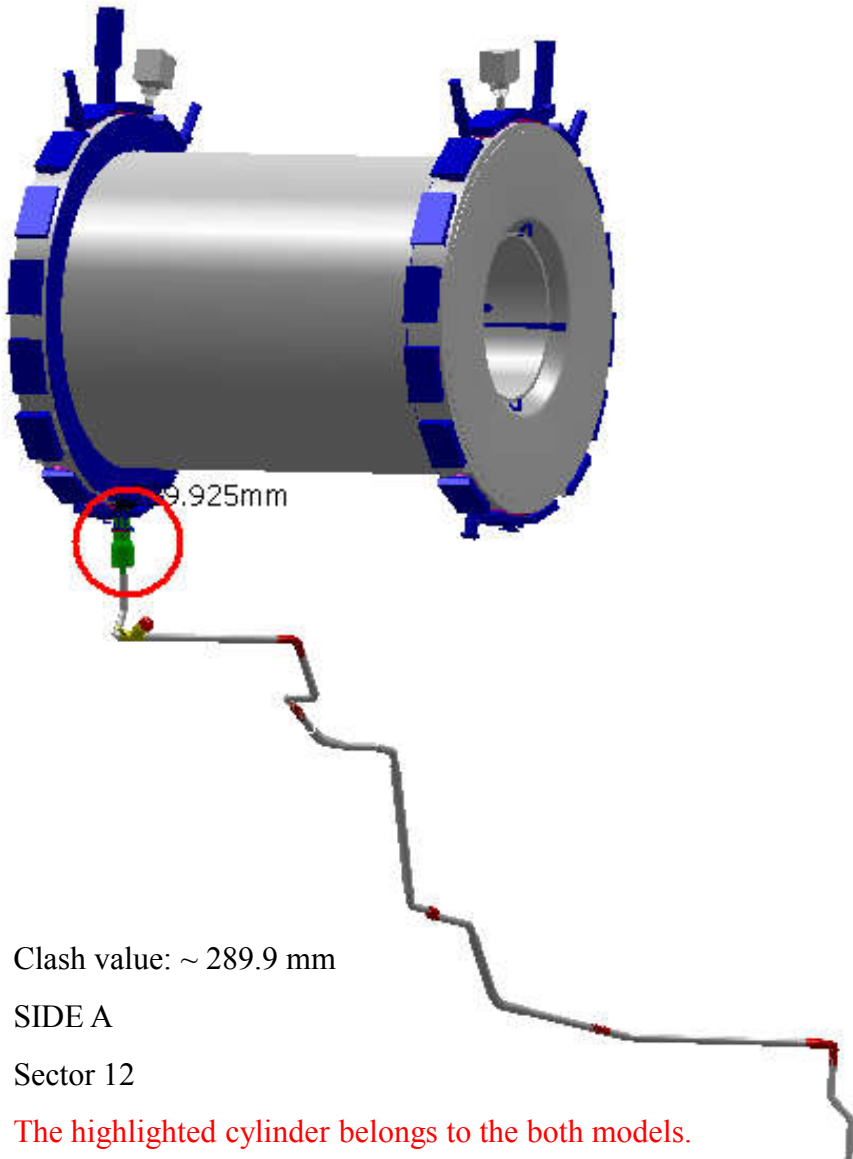
NSB\_0003 - BARREL CALORIMETER LAR  
DRAIN LINE - SIMPLIFIED 3D OBJECT

ZAB\_0001 - AB INDIVIDUAL ENVELOPE - AND  
LOCATION OF INTERFACES

Clash

-289.9 mm

Not Relevant

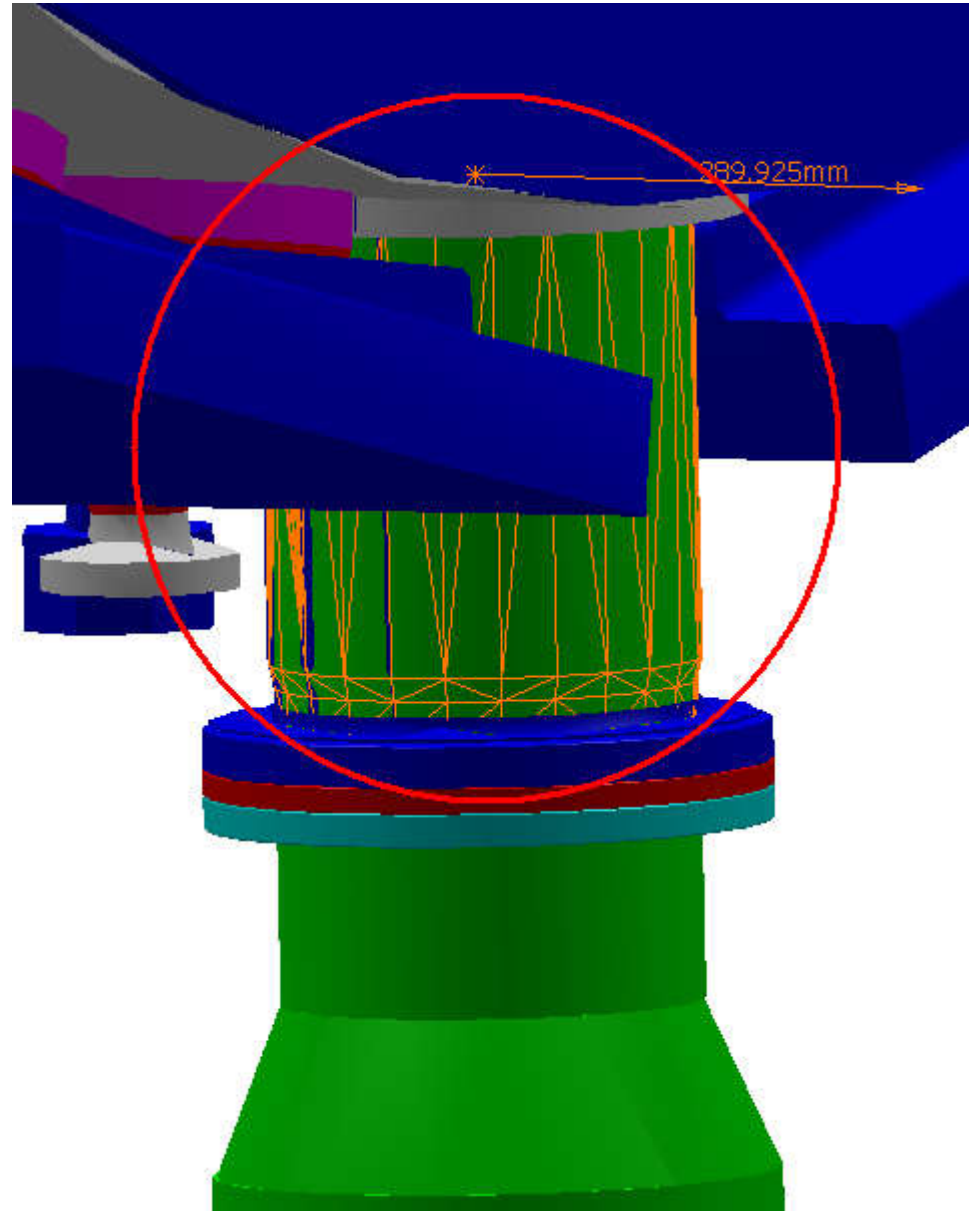


Clash value: ~ 289.9 mm

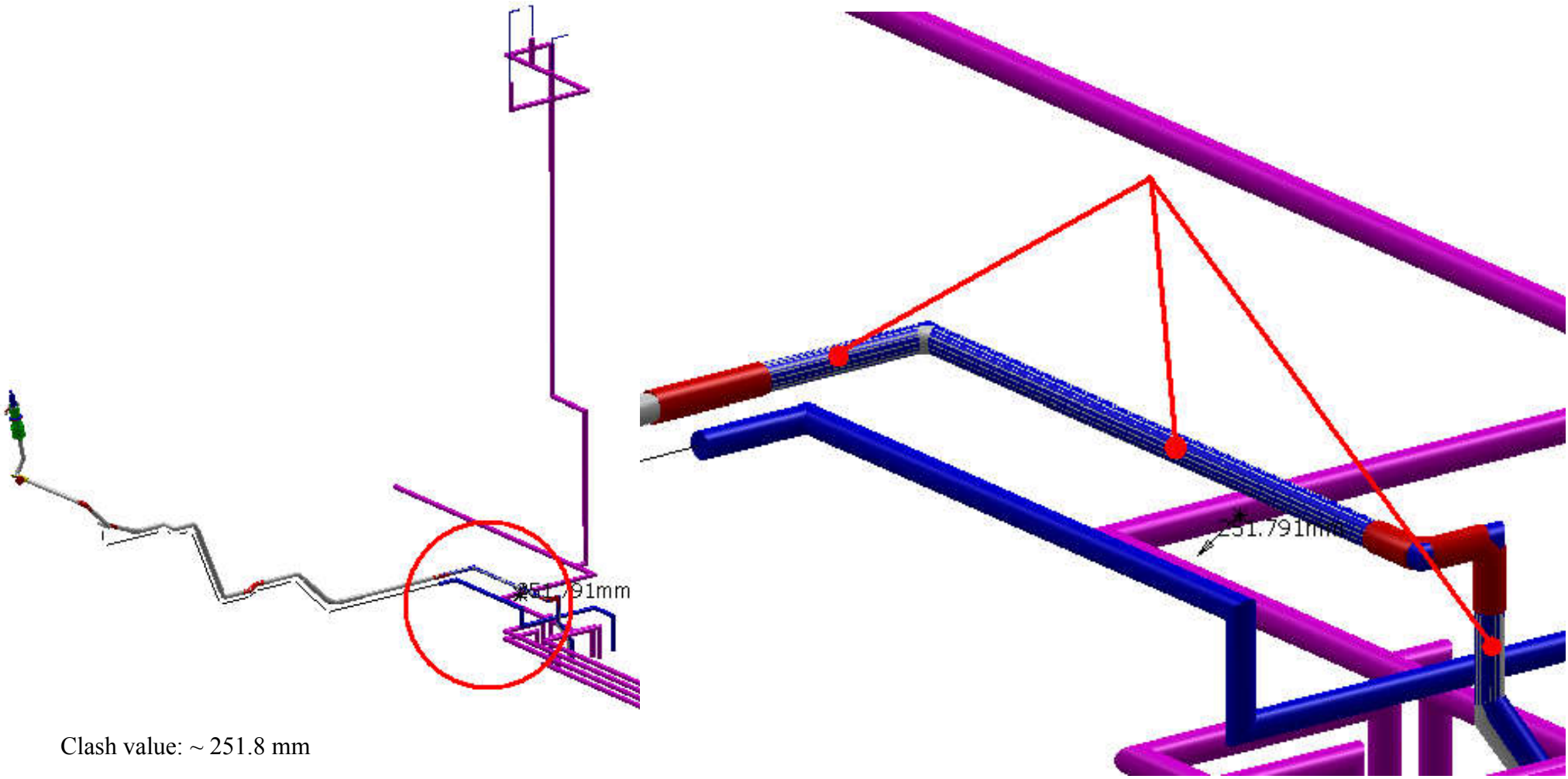
SIDE A

Sector 12

The highlighted cylinder belongs to the both models.



NSB_0003 - BARREL CALORIMETER LAR DRAIN LINE - SIMPLIFIED 3D OBJECT	NFX_0012 - AR EXT TL'S UX15 - STANDARD DRAWING	Clash	-251.8 mm	Not Relevant
--	---	-------	-----------	--------------



Clash value: ~ 251.8 mm

SIDE C

Sector 11

The indicated part of the pipe belongs to the both models.

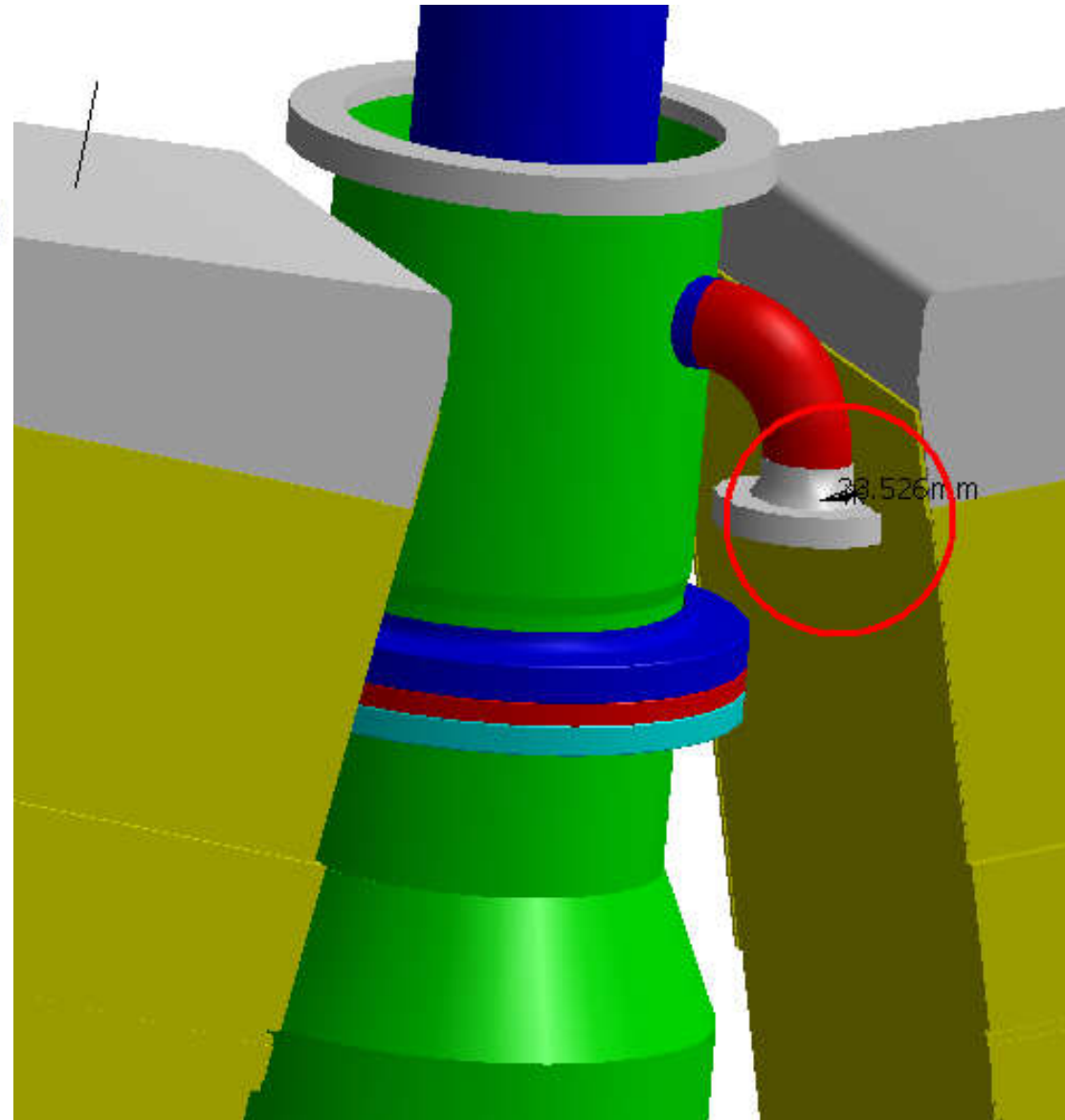
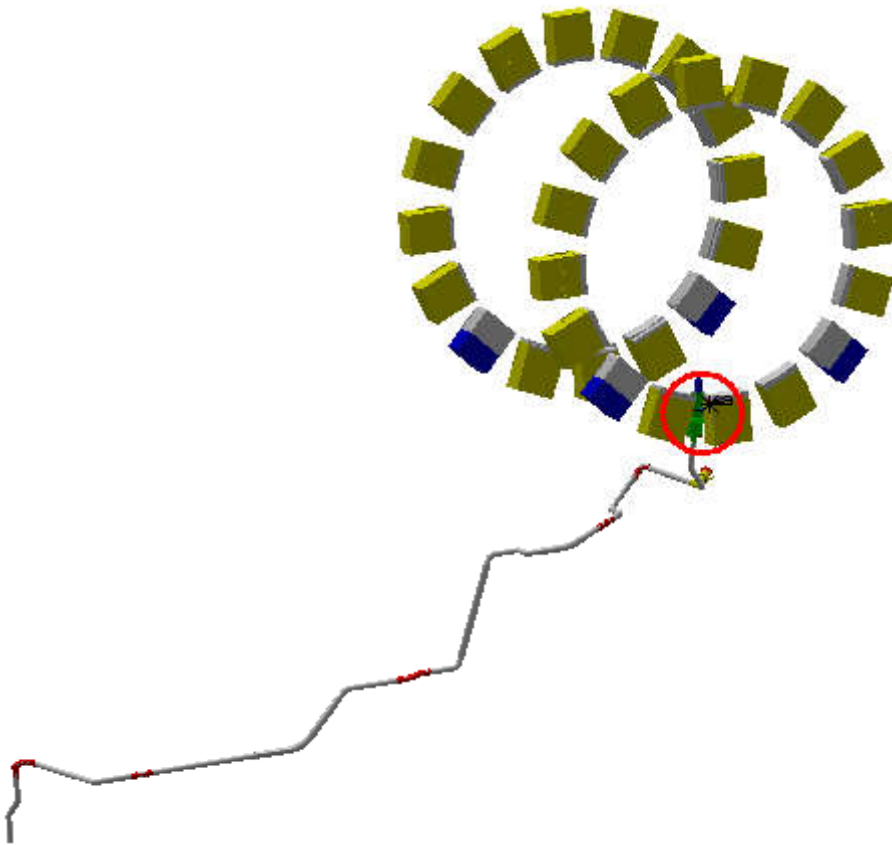
NSB\_0003 - BARREL CALORIMETER LAR  
DRAIN LINE - SIMPLIFIED 3D OBJECT

NSB\_0004 - LAR BARREL ELECTRONIC  
CRATES - SIMPLIFIED 3-D OBJECT

Clash

-23.5 mm

Not Relevant



Peter: It is already installed

Clash value: ~ 23.5 mm

SIDE A

Sector 12

NSB\_0003 - BARREL CALORIMETER LAR  
DRAIN LINE - SIMPLIFIED 3D OBJECT

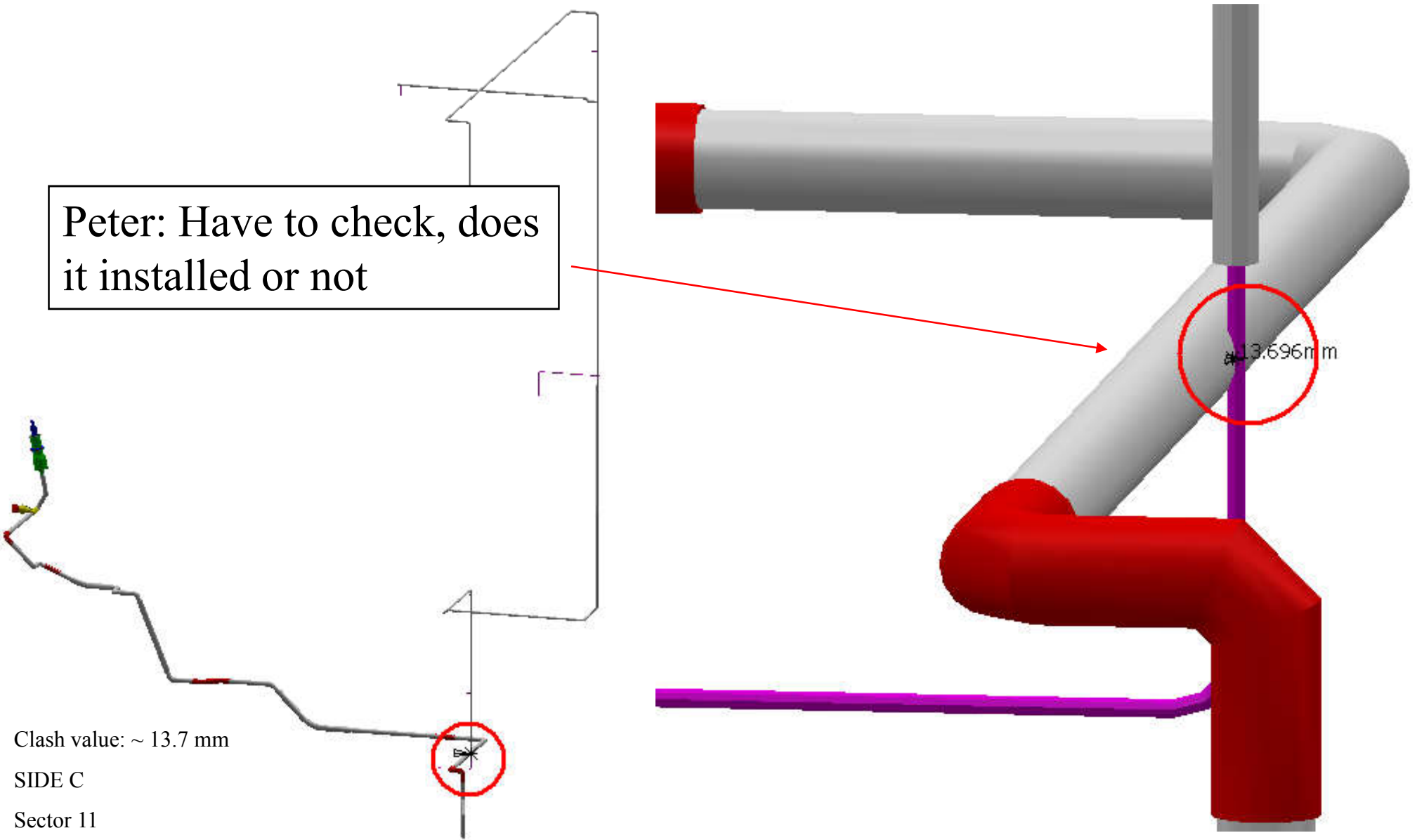
NSG\_0013 - UX 15 - 1/2 CAVERN USA SIDE -  
COMPRESSED AIR ROUTING

Clash

-13.7 mm

??????

Peter: Have to check, does  
it installed or not



Clash value: ~ 13.7 mm

SIDE C

Sector 11

