

# Clash Publish



Clash Computation Specification			
Products Selected			
ATCNHX_0004 ENDCAP PIN ASSEMBLY (SIDE C) - FOR ROUND SCAFFOLDING	ATCNLE_0001 END-CAP CALORIMETER - SUPPORT SADDLE - SIDE C	-22.87	Not inspected

**Computation Result:**

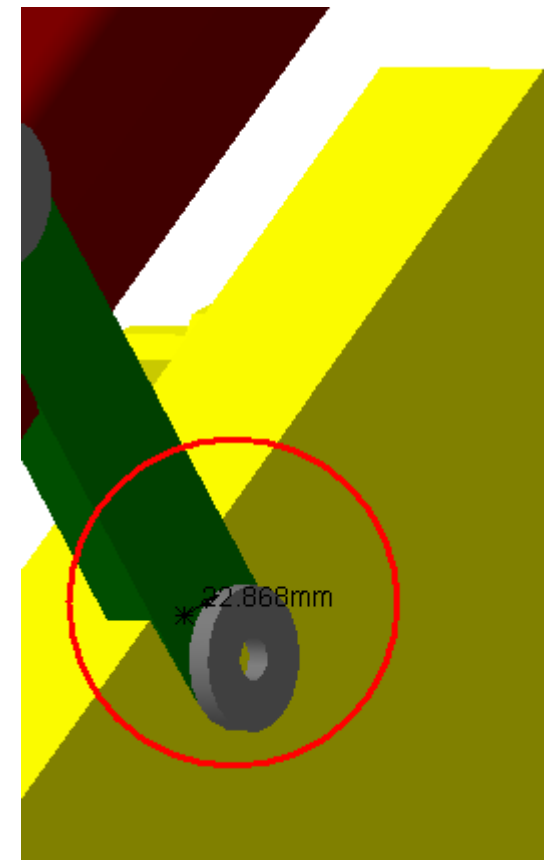
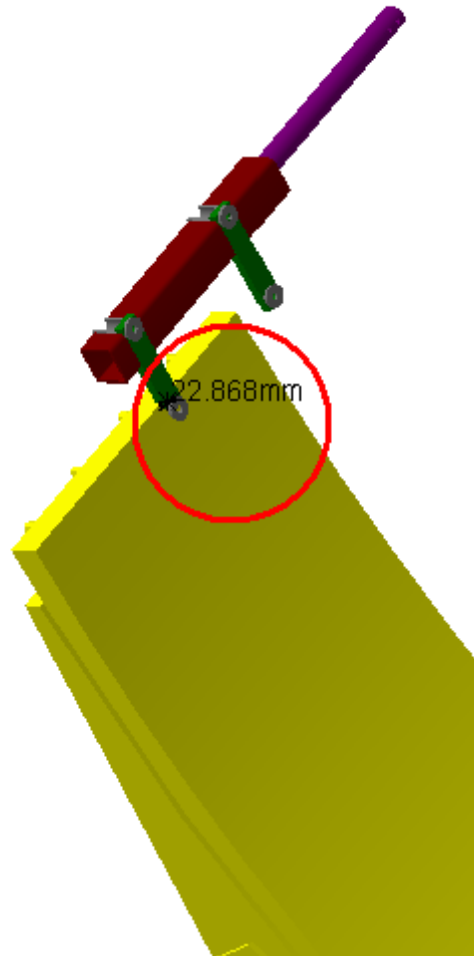
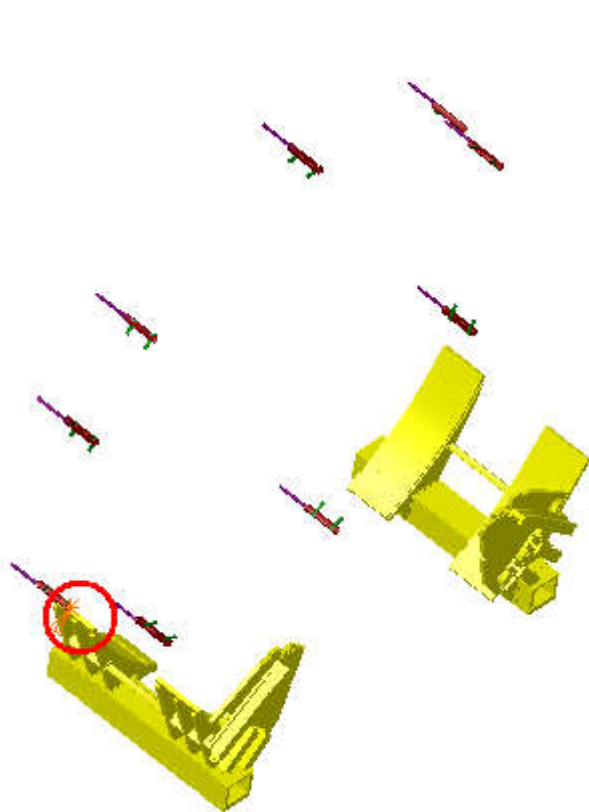
ATCNHX\_0004 ENDCAP PIN ASSEMBLY (SIDE C)  
- FOR ROUND SCAFFOLDING

ATCNLE\_0001 END-CAP CALORIMETER -  
SUPPORT SADDLE - SIDE C

Clash

-22.87mm

Not inspected



Side C

Sector 16

# Clash View 1:

