

# Clearance Publish

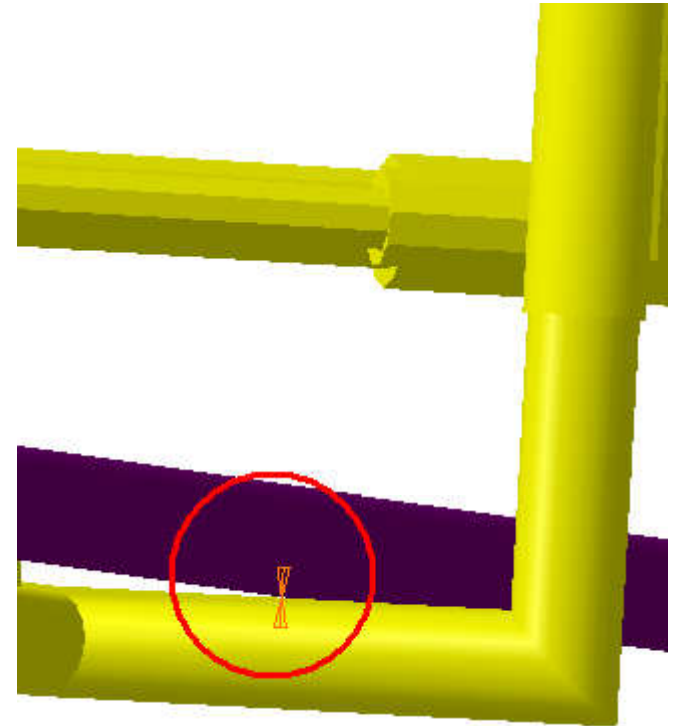
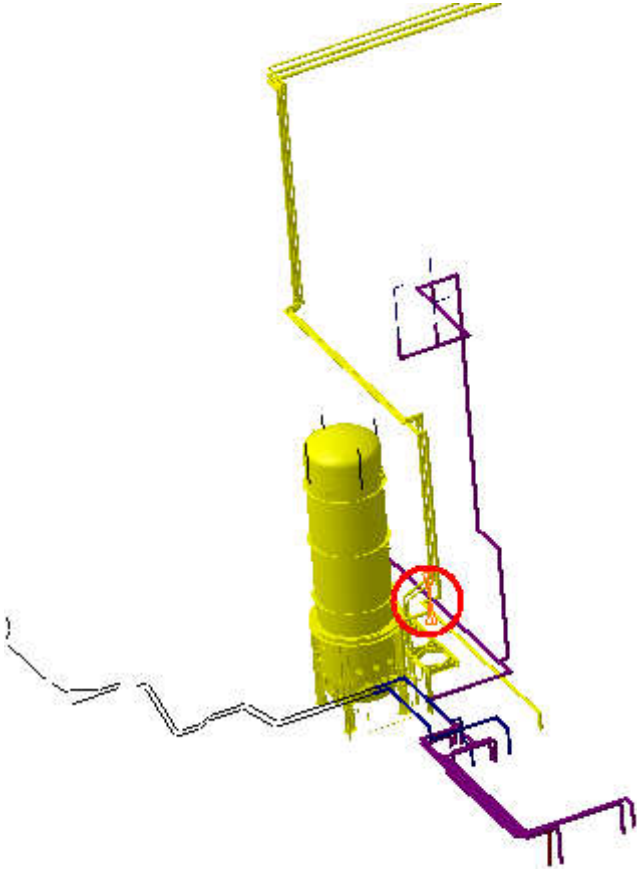
Clearance=50mm



Clearance Computation Specification			
Products Selected			
ATCNFX_0012 AR EXT TL'S UX15 - STANDARD DRAWIN	ATCNFX_0001 N2 EXT TL'S & PSD - STANDARD DRAWING	0.67	Not inspected
	ATCNFX_0010 N2 EXT TL'S & VBN6 - STANDARD DRAWING	8.5	Not inspected
	ATCNFX_0011 AR EXT TLA1 SH1-USA15-UX15 - STANDARD DRAWING	47.4	Not inspected
	ATCNFH_0007 HS METALLIC STRUCTURE - SIDE USA15 - LOWER PART	4.33	Not inspected
	ATCNFX_0005 AR BARREL EXPANSION VESSEL - FOR STANDARD	0	Not inspected
	ATCNFX_0013 AR EXT VB'S UX15 - STANDARD DRAWING	0	Not inspected

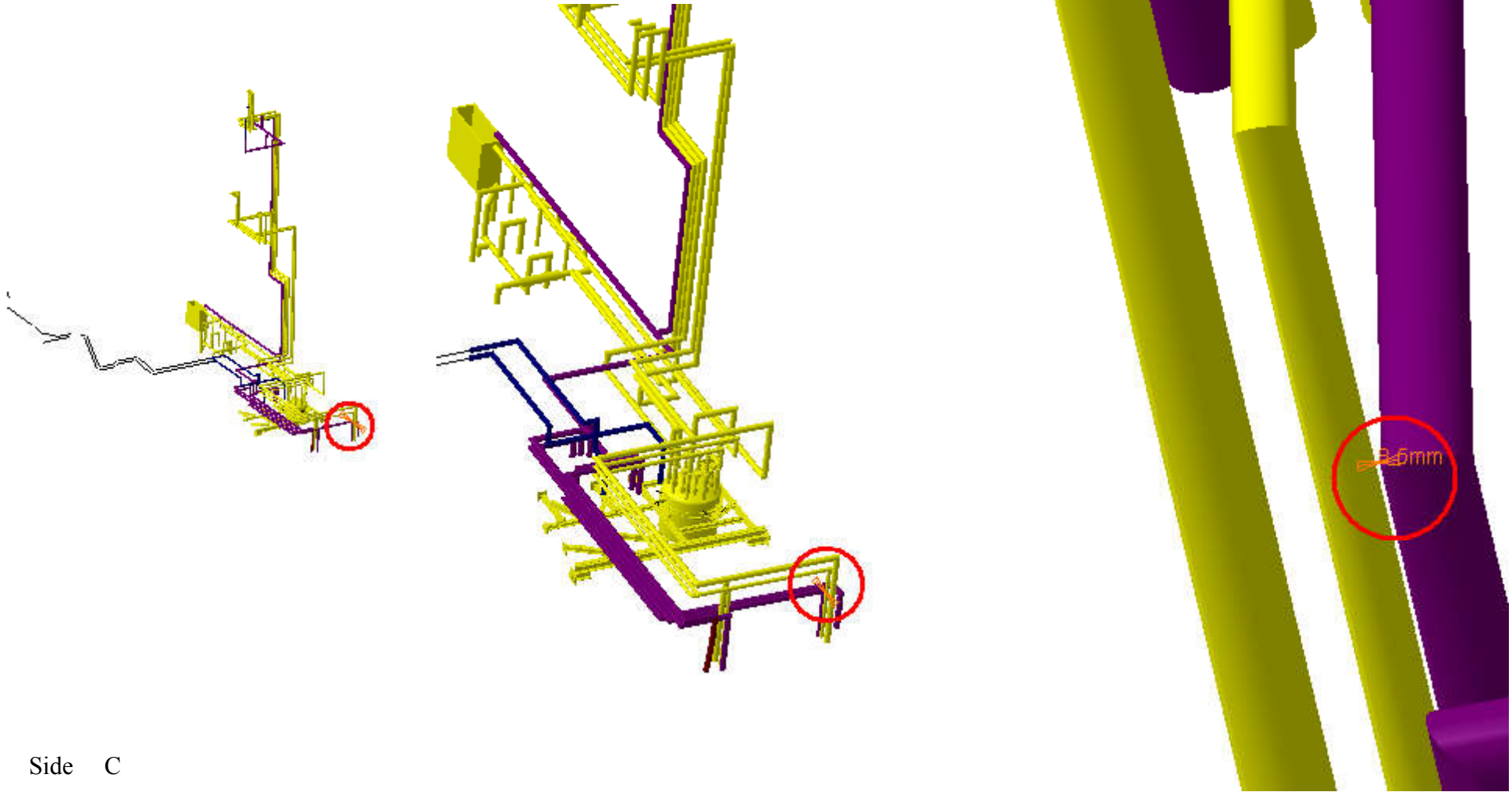
**Computation Result:**

ATCNFX_0012 AR EXT TL'S UX15 - STANDARD DRAWIN	ATCNFX_0001 N2 EXT TL'S & PSD - STANDARD DRAWING	Vector coordinate $\Delta X \approx 0\text{mm}$ $\Delta Y \approx -0.67\text{mm}$ $\Delta Z \approx 0\text{mm}$	0.67mm	Not inspected
--	--	--	--------	---------------



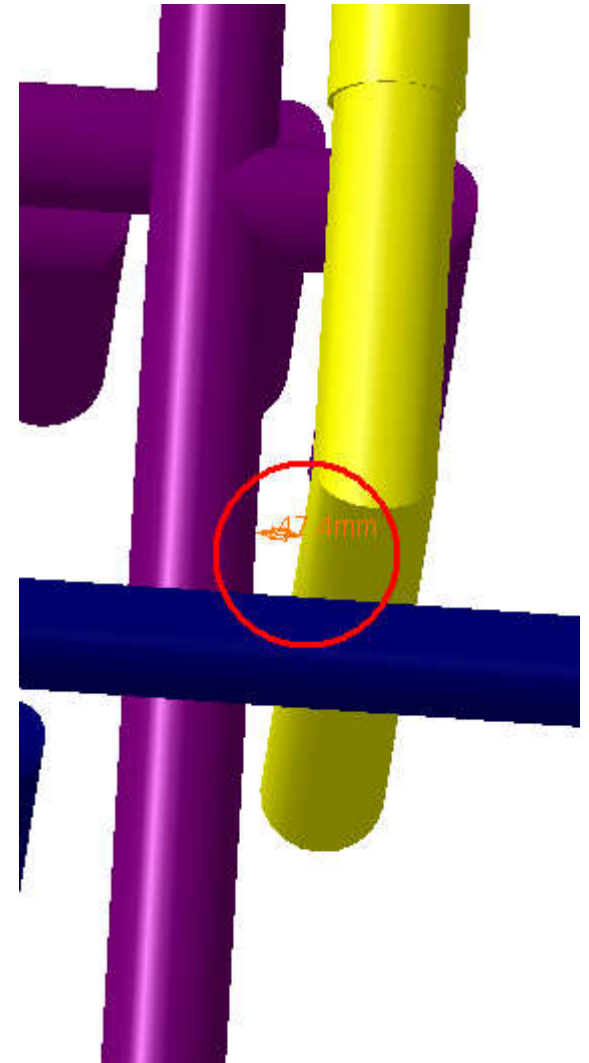
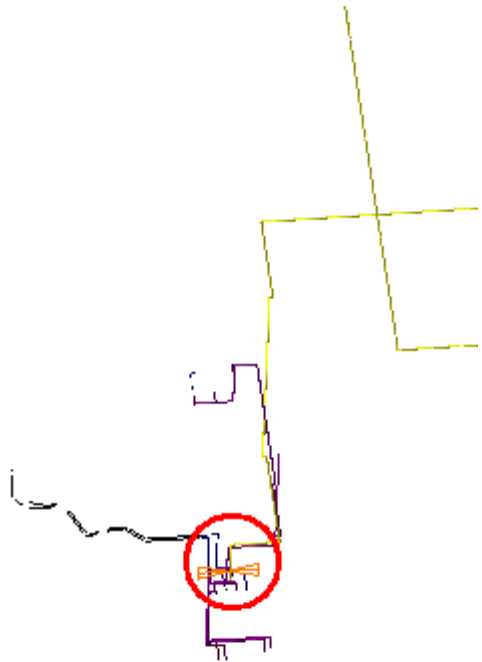
Side A  
Sector 11

ATCNFX_0012 AR EXT TL'S UX15 - STANDARD DRAWIN	ATCNFX_0010 N2 EXT TL'S & VBN6 - STANDARD DRAWING	Vector coordinate $\Delta X \approx 0\text{mm}$ $\Delta Y \approx 8.5\text{mm}$ $\Delta Z \approx 0\text{mm}$	8.5mm	Not inspected
--	---	--	-------	---------------



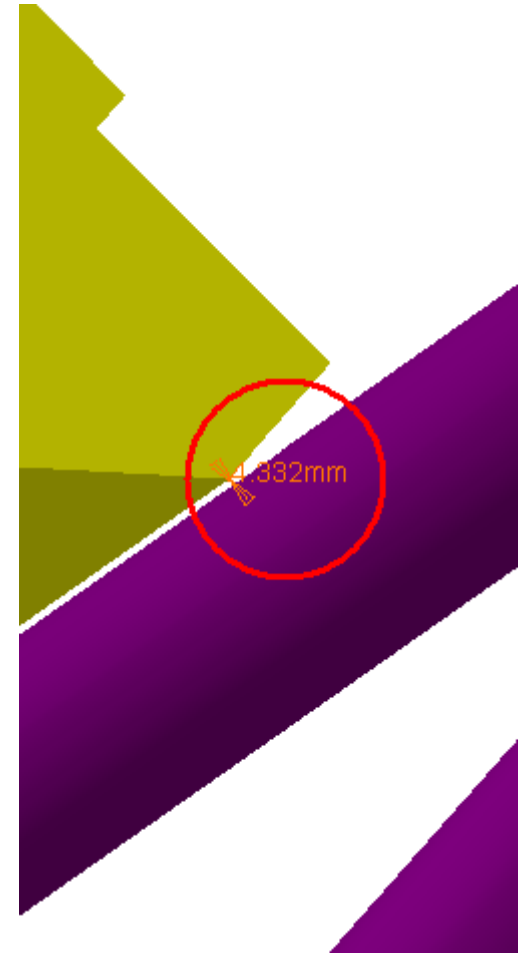
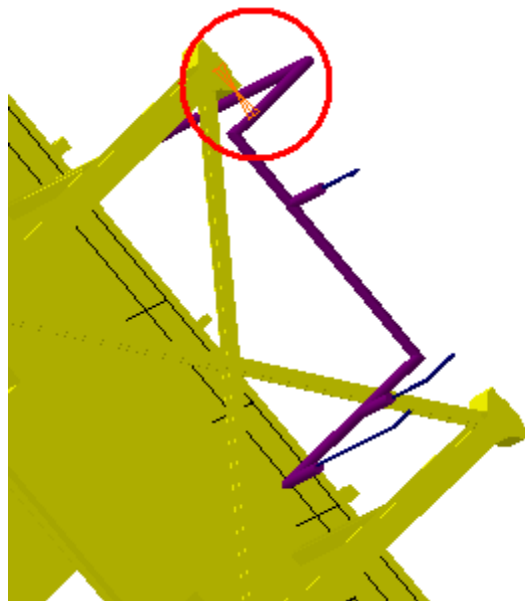
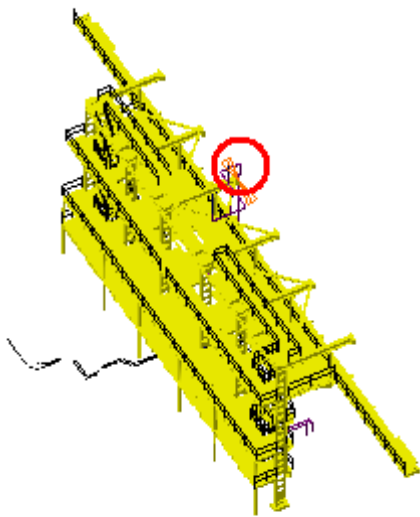
Side C  
Sector 11

ATCNFX_0012 AR EXT TL'S UX15 - STANDARD DRAWIN	ATCNFX_0011 AR EXT TLA1 SH1- USA15-UX15 - STANDARD DRAWING	Vector coordinate $\Delta X \approx -47.4\text{mm}$ $\Delta Y \approx 0\text{mm}$ $\Delta Z \approx 0\text{mm}$	47.4mm	Not inspected
--	--	--	--------	---------------



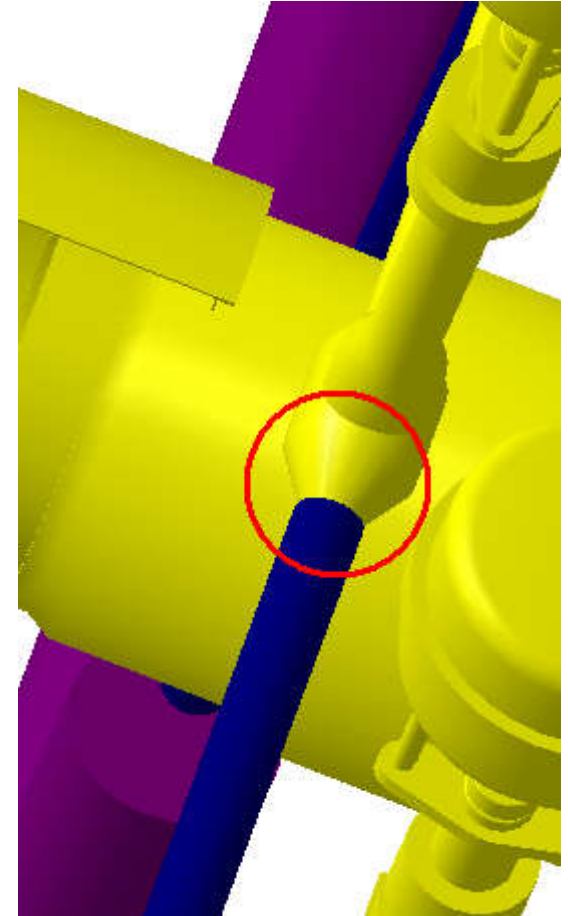
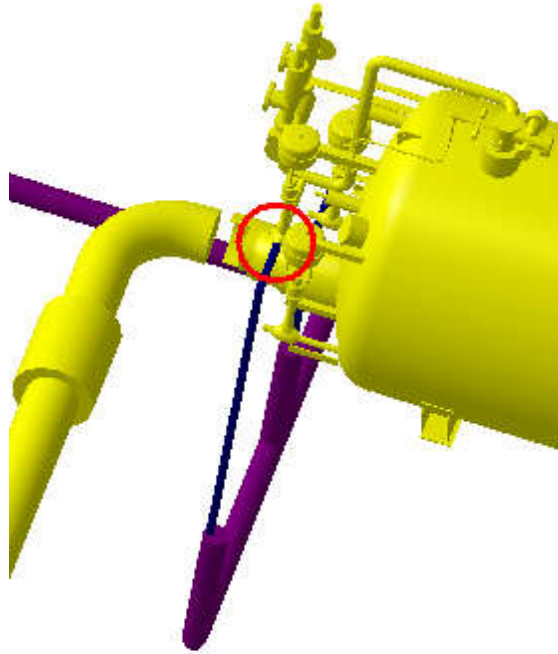
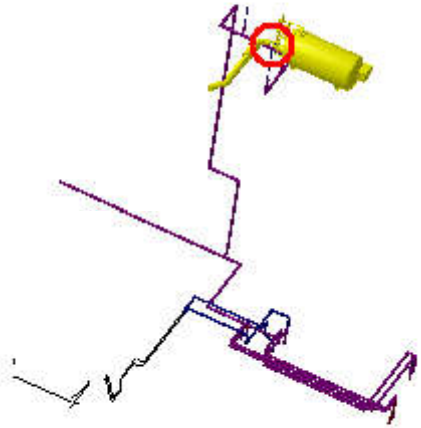
Side C  
Sector 11

ATCNFX_0012 AR EXT TL'S UX15 - STANDARD DRAWIN	ATCNFH_0007 HS METALLIC STRUCTURE - SIDE USA15 - LOWER PART	Vector coordinate $\Delta X \approx -0.28\text{mm}$ $\Delta Y \approx 0\text{mm}$ $\Delta Z \approx -4.32\text{mm}$	4.33mm	Not inspected
--	---	--	--------	---------------



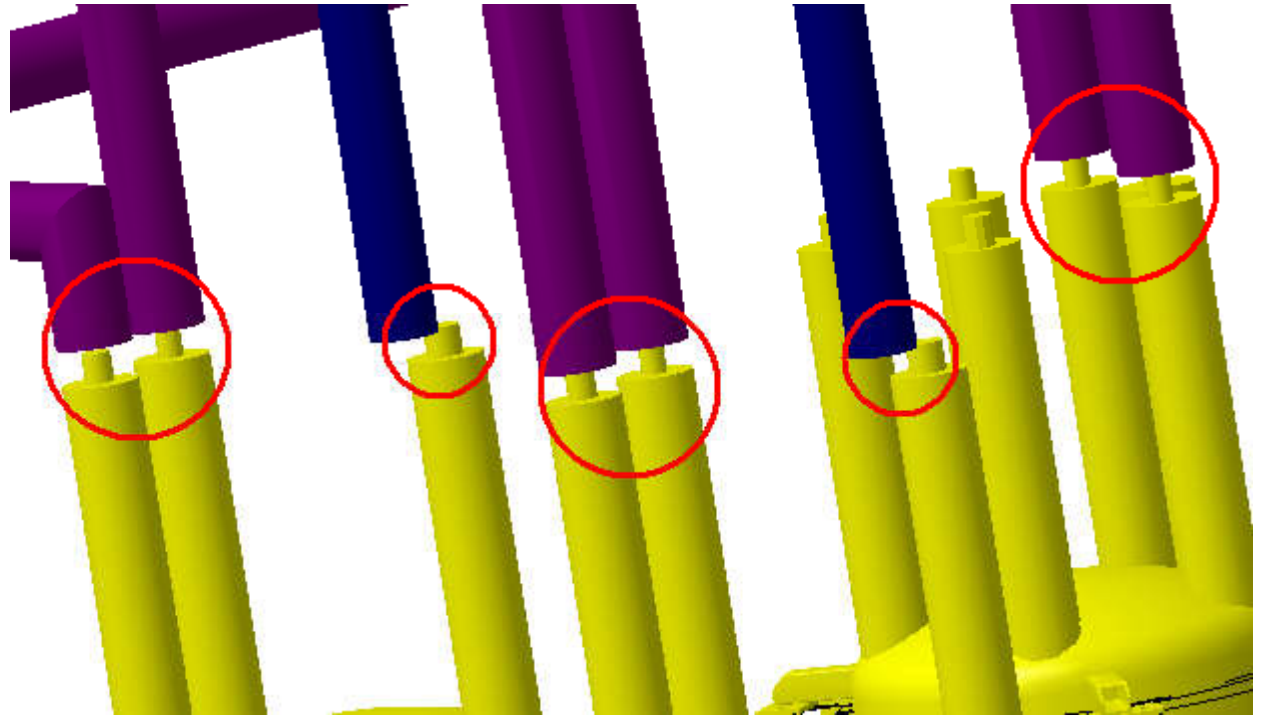
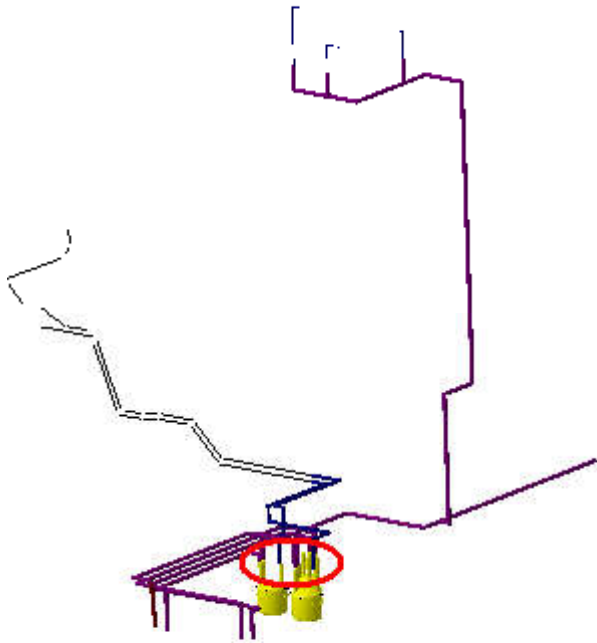
Side A  
Sector 9

ATCNFX_0012 AR EXT TL'S UX15 - STANDARD DRAWIN	ATCNFX_0005 AR BARREL EXPANSION VESSEL - FOR STANDARD	Contact	0	Not inspected
--	---	---------	---	---------------



Side C  
Sector 7

ATCNFX_0012 AR EXT TL'S UX15 - STANDARD DRAWIN	ATCNFX_0013 AR EXT VB'S UX15 - STANDARD DRAWING	Contact	0	Not inspected
--	---	---------	---	---------------



Side C  
Sector 11