

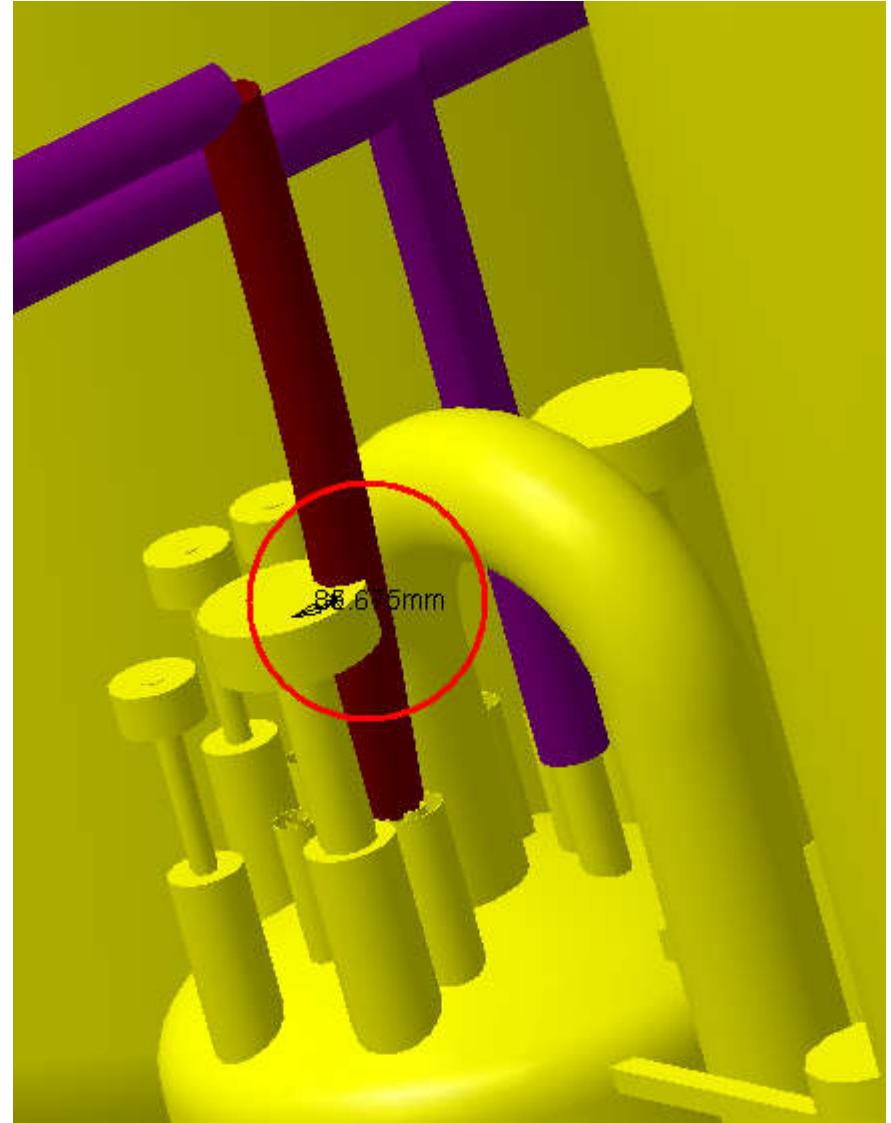
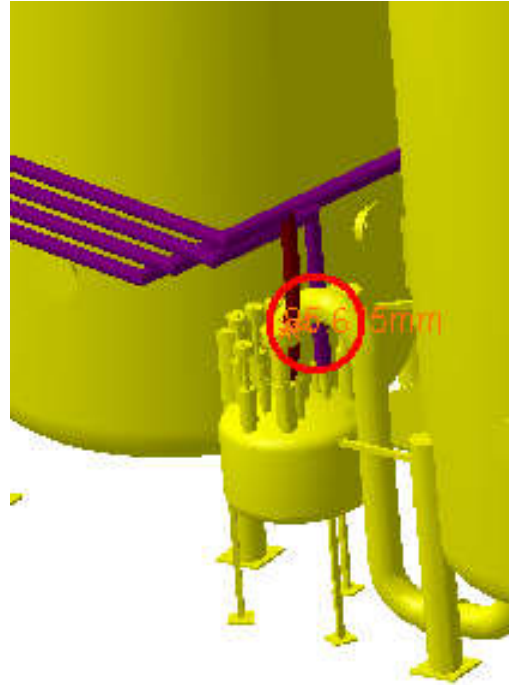
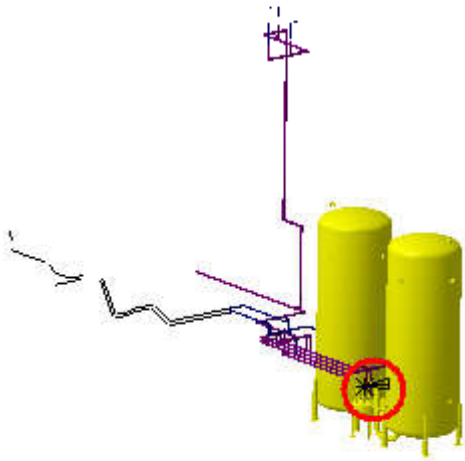
Clash Publish



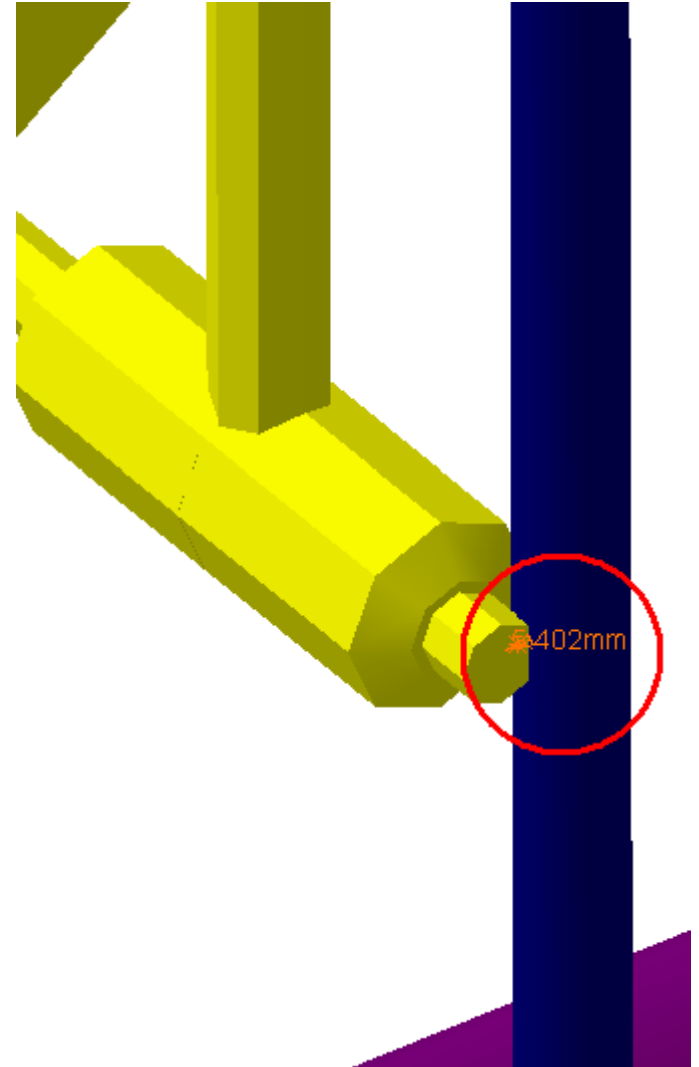
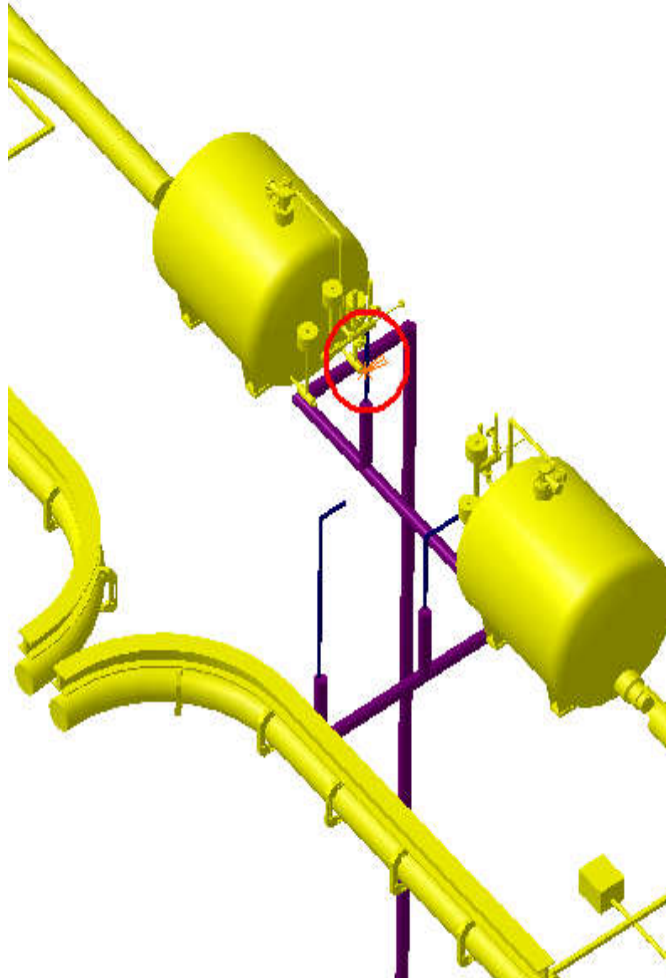
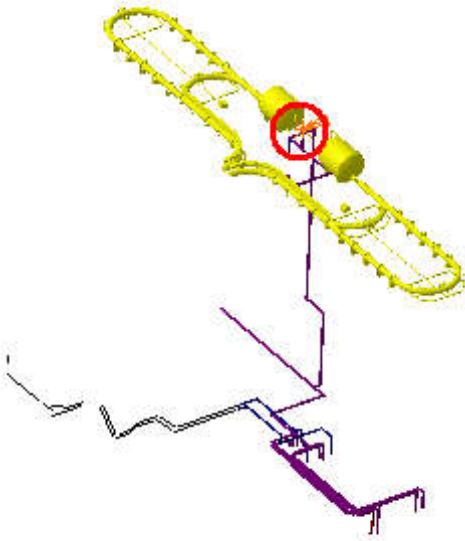
Clash Computation Specification			
Products Selected			
ATCNFX_0012 AR EXT TL'S UX15 - STANDARD DRAWIN	ATCNFX_0002 AR DEWARS STANDARD	-85.67	Not inspected
	ATCNFX_0006 AR ENDCAP EXPANSION VESSEL - AND TRANSFER LINES FOR STANDARD	-5.4	Not inspected
	ATCNFX_0014 AR EXT TL'S UX15 - STANDARD DRAWING	-33.19	Not inspected
	ATCNFH_0008 HS METALLIC STRUCTURE - SIDE USA15 - UPPER PART	-169.24	Not inspected
	ATCNBSB_0003 BARREL CALORIMETER LAR DRAIN LINE - SIMPLIFIED 3D OBJECT	-251.79	Not inspected
	ATCNSE_0004 DRAIN PIPE FOR - LAR END-CAP CALORIMETER	-177.21	Not inspected
	ATCNBSG_0013 UX 15 - 1/2 CAVERN USA SIDE - COMPRESSED AIR ROUTING	-13.9	Not inspected

Computation Result:

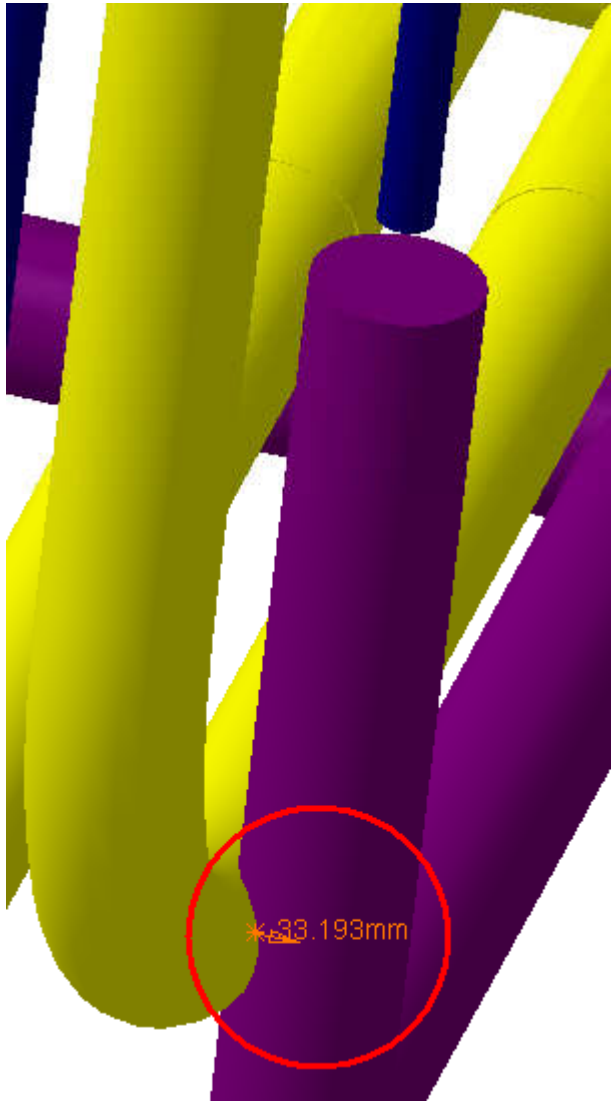
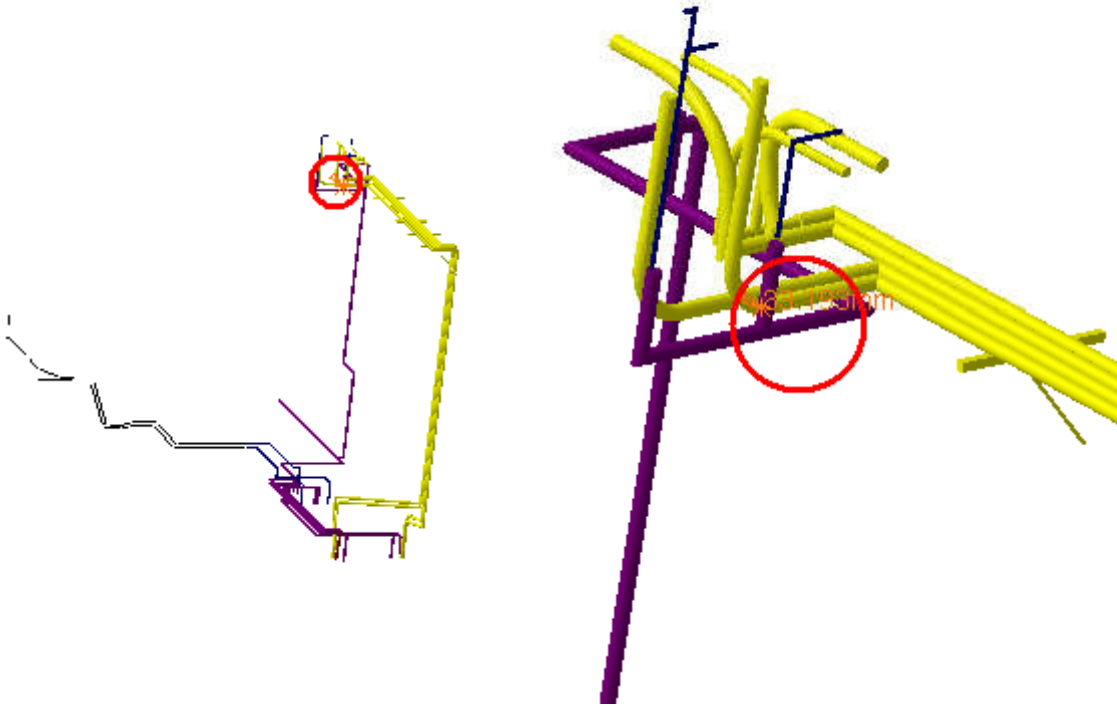
ATCNFX_0012 AR EXT TL'S UX15 - STANDARD DRAWIN	ATCNFX_0002 AR DEWARS STANDARD	Clash	--85.67mm	Not inspected
--	--------------------------------	-------	-----------	---------------



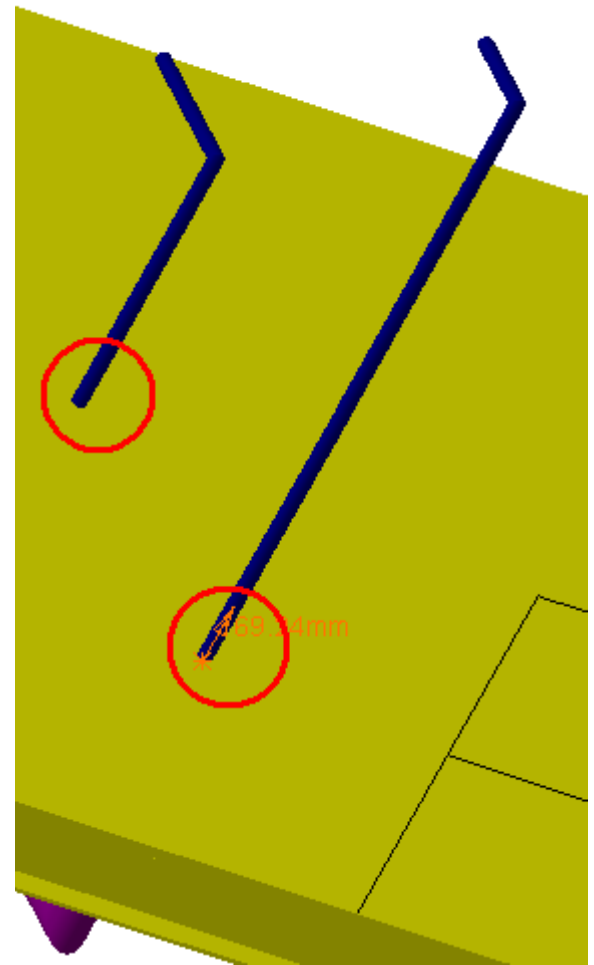
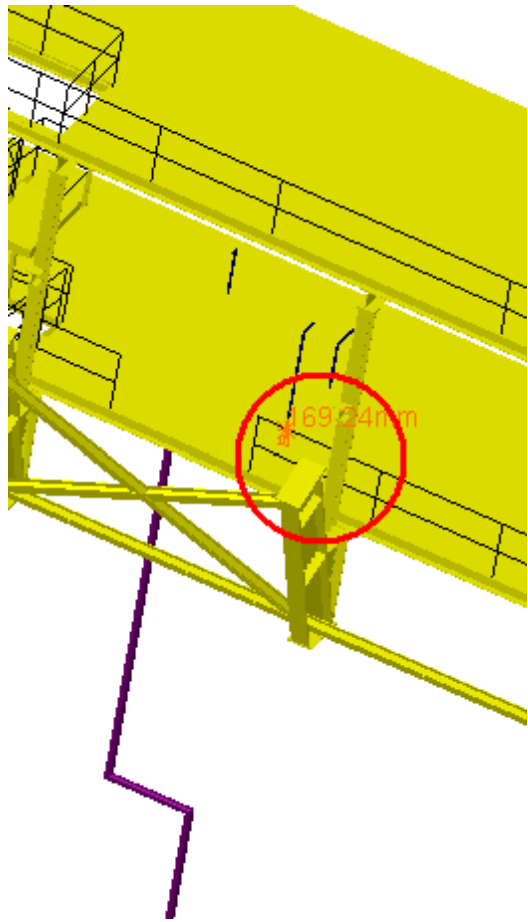
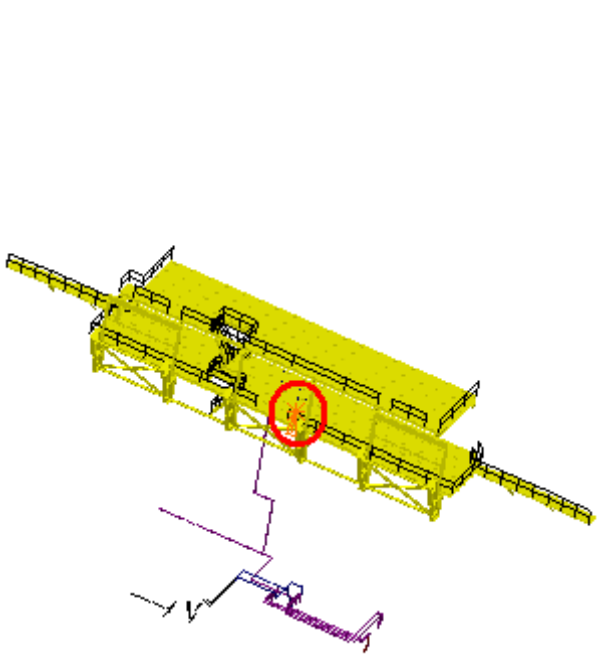
ATCNFX_0012 AR EXT TL'S UX15 - STANDARD DRAWIN	ATCNFX_0006 AR ENDCAP EXPANSION VESSEL - AND TRANSFER LINES FOR STANDARD	Clash	- 5.4mm	Not inspected
--	--	-------	---------	---------------



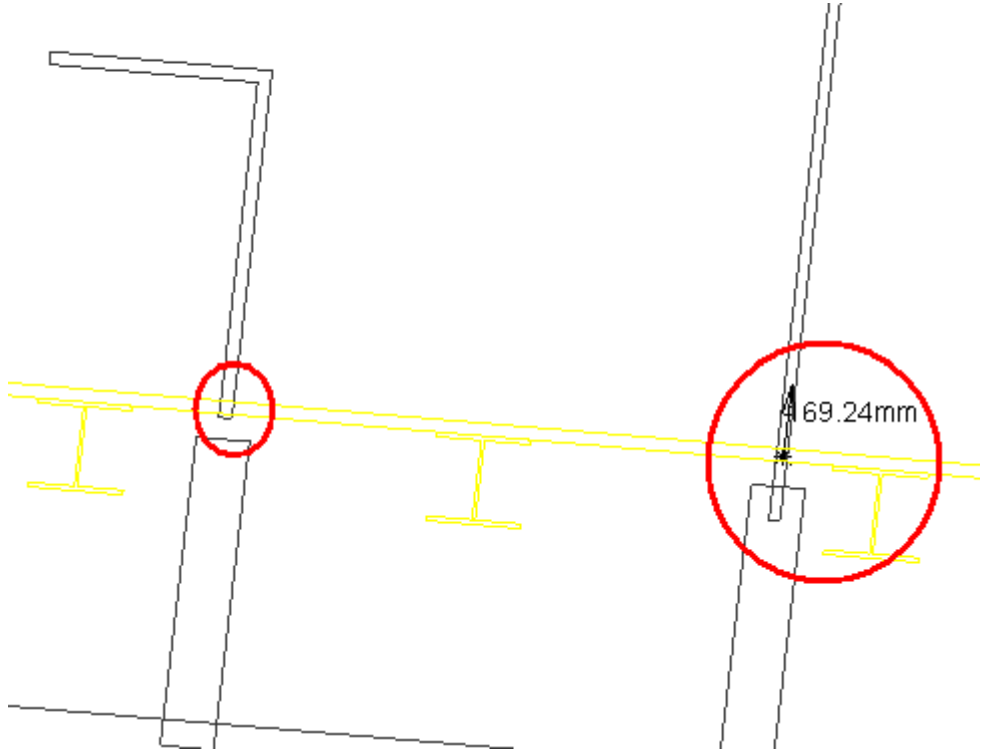
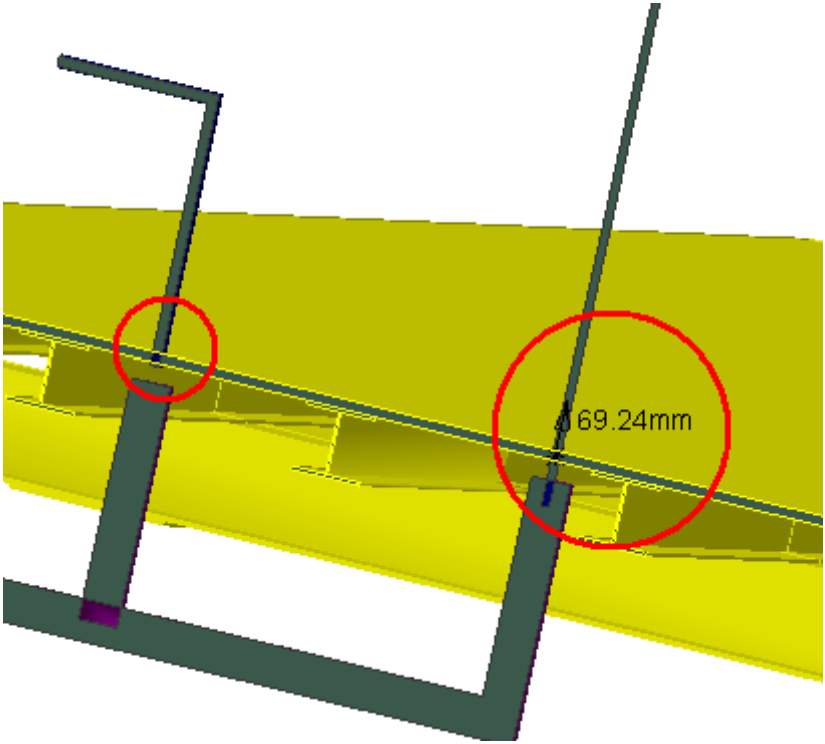
ATCNFX_0012 AR EXT TL'S UX15 - STANDARD DRAWIN	ATCNFX_0014 AR EXT TL'S UX15 - STANDARD DRAWING	Clash	- 33.19mm	Not inspected
--	---	-------	-----------	---------------



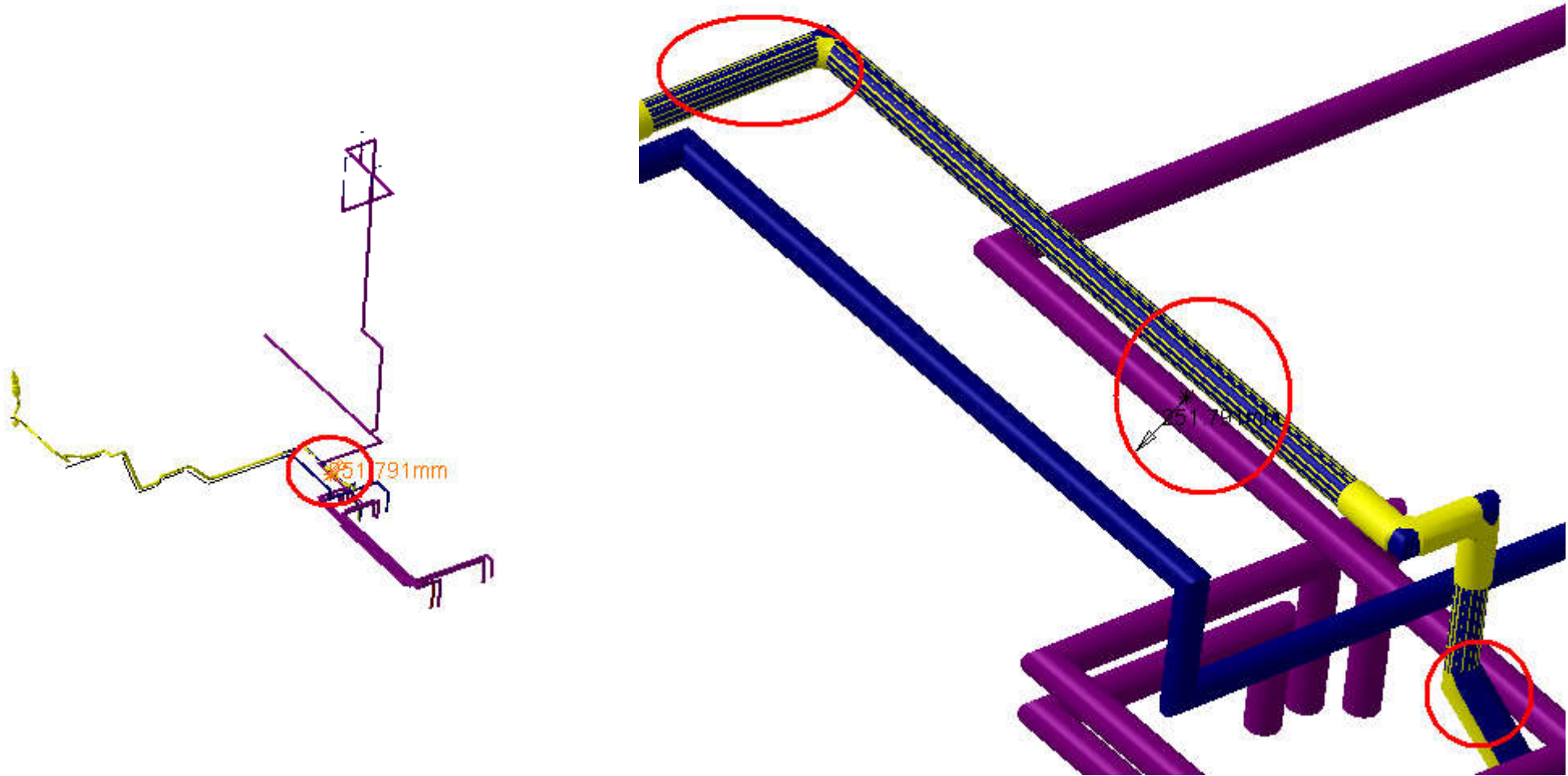
ATCNFX_0012 AR EXT TL'S UX15 - STANDARD DRAWIN	ATCNFH_0008 HS METALLIC STRUCTURE - SIDE USA15 - UPPER PART	Clash	- 169.24mm	Not inspected
--	---	-------	------------	---------------



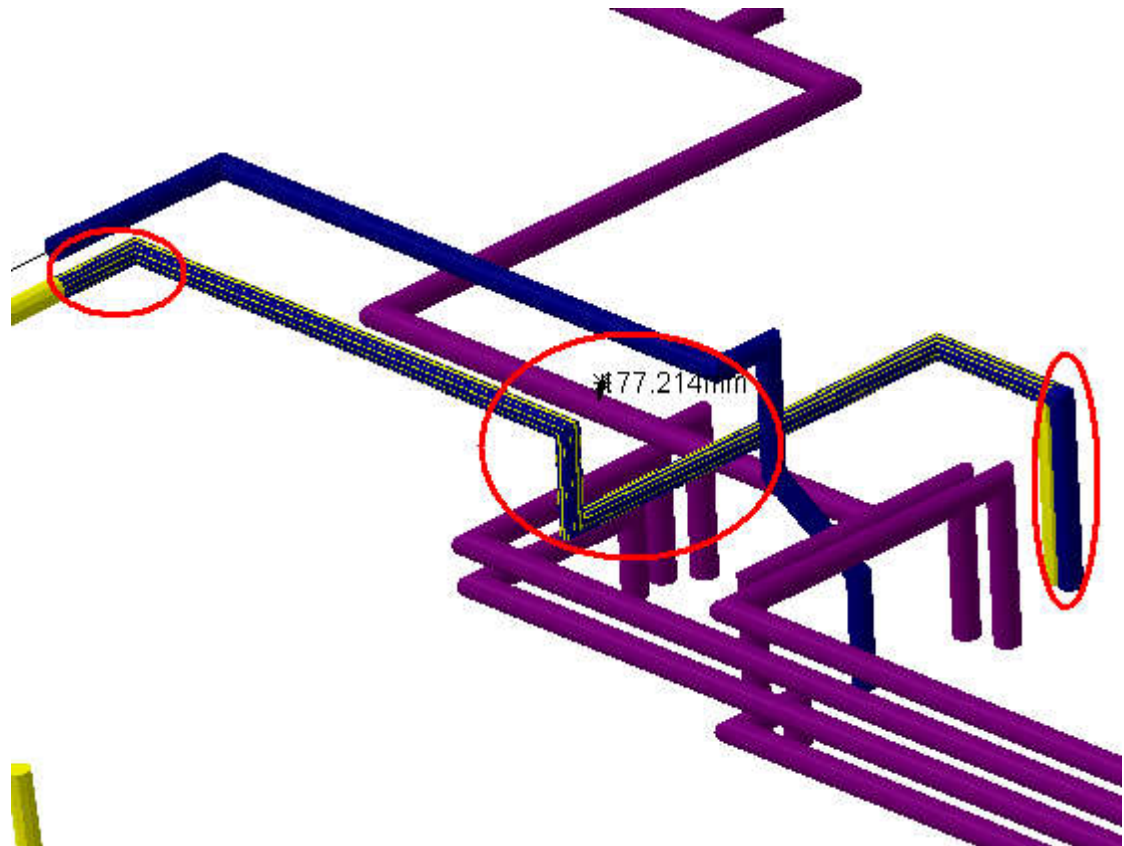
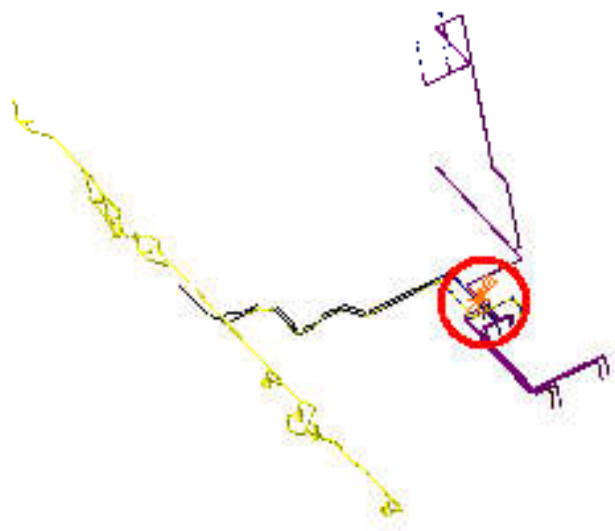
Clash View 1:



ATCNFX_0012 AR EXT TL'S UX15 - STANDARD DRAWIN	ATCNSB_0003 BARREL CALORIMETER LAR DRAIN LINE - SIMPLIFIED 3D OBJECT	Clash	- 251.79mm	Not inspected
--	--	-------	------------	---------------



ATCNFX_0012 AR EXT TL'S UX15 - STANDARD DRAWIN	ATCNSE_0004 DRAIN PIPE FOR - LAR END-CAP CALORIMETER	Clash	- 177.21mm	Not inspected
--	--	-------	------------	---------------



ATCNFX_0012 AR EXT TL'S UX15 - STANDARD DRAWIN	ATCNSE_0004 DRAIN PIPE FOR - LAR END-CAP CALORIMETER	Clash	- 13.9mm	Not inspected
--	--	-------	----------	---------------

