

Clearance Publish

Clearance=50mm



Clearance Computation Specification			
Products Selected			
AT882094MQ Vacuum Cable Trays	ATCVHB_0007 M ASSEMBLY OF BEDPLATES - DETAILED MODEL FOR STANDARDS	39.51	Not Relevant
	AT632628MQ MQ Alignment BAR EIL4	18.49	Warning
	AT632629MQ MQ Alignment BAR EIL4	18.8	Warning
	AT632631MQ MQ Alignment BAR EIL4	18.8	Warning
	AT632632MQ MQ Alignment BAR EIL4	18.8	Warning
	AT632633MQ MQ Alignment BAR EIL4	18.55	Warning
	AT632635MQ MQ Alignment BAR EIL4	18.55	Warning
	AT632803MQ MQ Alignment BAR EIL4	18.49	Warning
	AT632804MQ MQ Alignment BAR EIL4	18.8	Warning

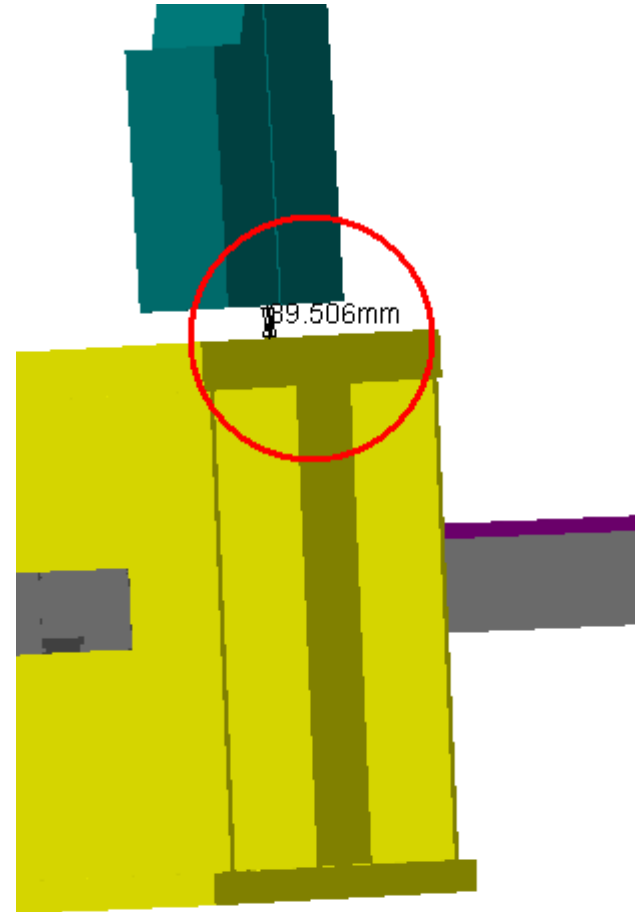
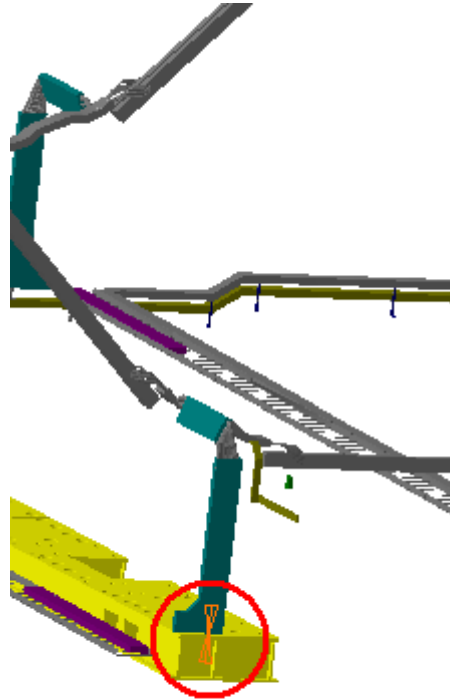
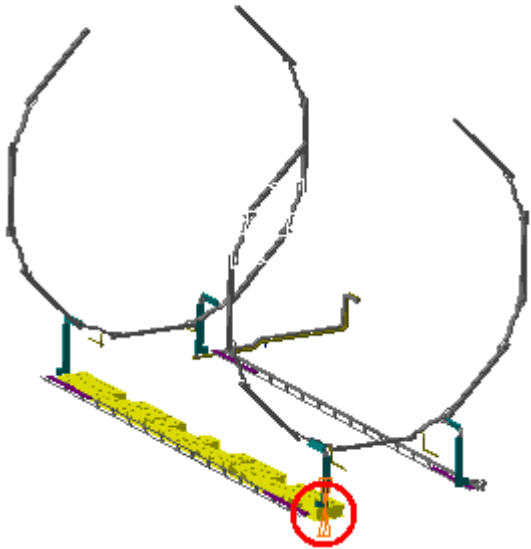
Revised with V.Petrov 4/11/2005

Clearance Computation Specification

Products Selected

AT882094MQ Vacuum Cable Trays	AT632806MQ MQ Alignment BAR EIL4	18.8	Warning
	AT632807MQ MQ Alignment BAR EIL4	18.8	Warning
	AT632808MQ MQ Alignment BAR EIL4	18.55	Warning
	AT632810MQ MQ Alignment BAR EIL4	18.55	Warning
	ATCNMA_0001 BARREL PROJECTIVE ALIGNMENT. - SIMPLE 3-D MODEL. SECTOR 1	18.9	Relevant
	ATCNMA_0002 BARREL PROJECTIVE ALIGNMENT. - SIMPLE 3-D MODEL. SECTOR 3.	18.87	Relevant
	ATCNMA_0004 BARREL PROJECTIVE ALIGNMENT. - SIMPLE 3-D MODEL. SECTOR 7.	18.87	Relevant
	ATCNMA_0005 BARREL PROJECTIVE ALIGNMENT. - SIMPLE 3-D MODEL. SECTOR 9.	18.9	Relevant
	ATCNMA_0006 BARREL PROJECTIVE ALIGNMENT. - SIMPLE 3-D MODEL. SECTOR 11.	18.89	Relevant
	ATCNMA_0008 BARREL PROJECTIVE ALIGNMENT. - SIMPLE 3-D MODEL. SECTOR 15.	18.89	Relevant
	ATCNMA_0009 END CAP ALIGNMENT SIDE "A". - SIMPLE 3-D MODEL.	40.4	Not Relevant
	ATCNMA_0010 END CAP ALIGNMENT SIDE "C" - SIMPLE 3-D MODEL	40.31	Not Relevant
ATCNM_0009 TB - VACUUM PIPE SYSTEM SIDE A	26.01	Not Relevant	

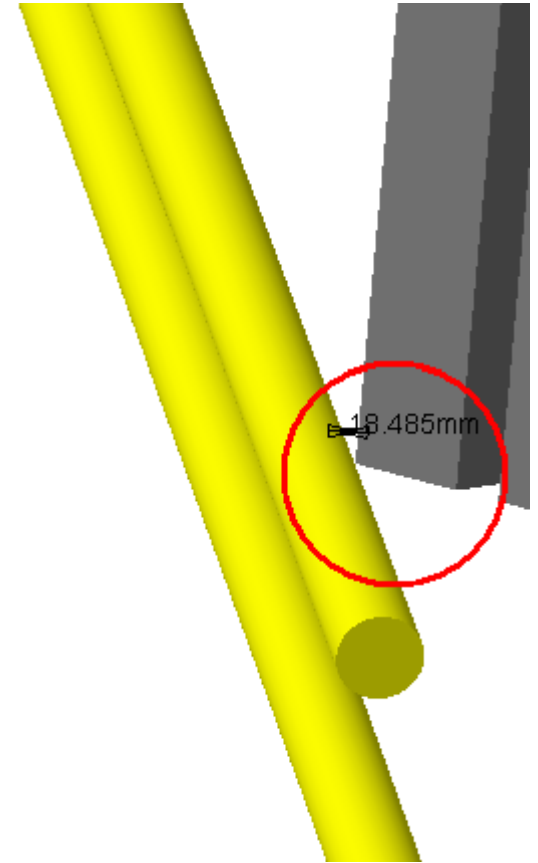
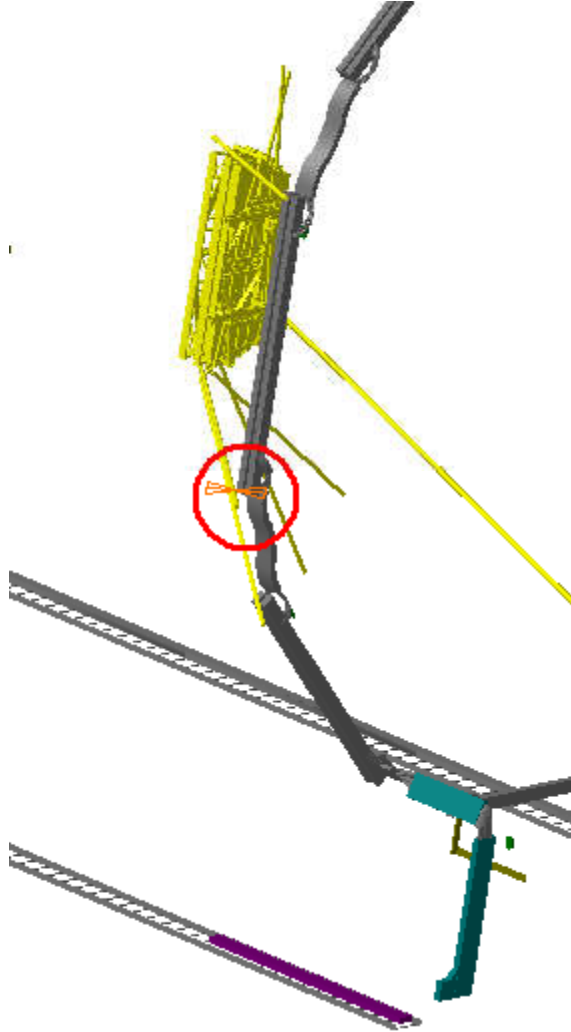
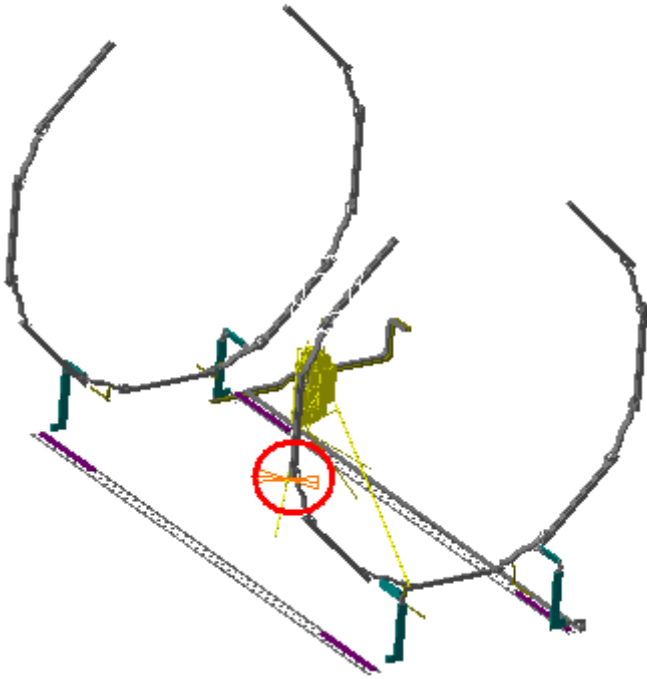
AT882094MQ Vacuum Cable Trays	ATCVHB_0007 M ASSEMBLY OF BEDPLATES - DETAILED MODEL FOR STANDARDS	Vector coordinate $\Delta X \approx 0\text{mm}$ $\Delta Y \approx -39.5\text{mm}$ $\Delta Z \approx -0.49\text{mm}$	39.51mm	Not Relevant
-------------------------------	--	--	---------	--------------



Side C
Sector 14

WARNING

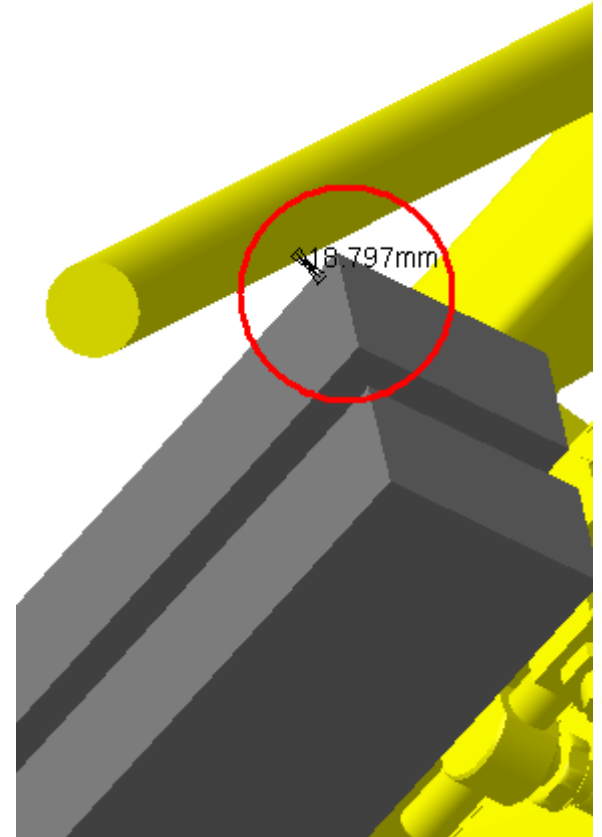
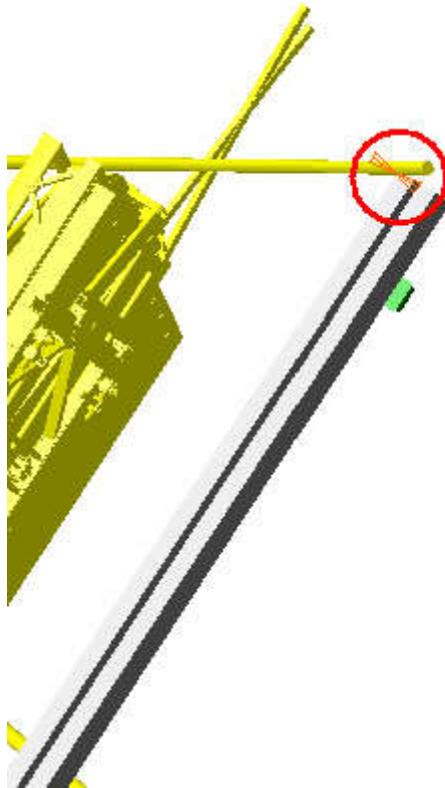
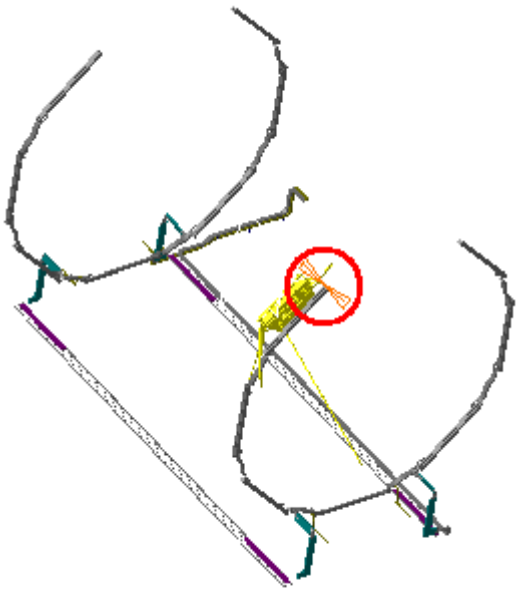
AT882094MQ Vacuum Cable Trays	AT632628MQ MQ Alignment BAR EIL4	Vector coordinate $\Delta X \approx 14.25\text{mm}$ $\Delta Y \approx -0.15\text{mm}$ $\Delta Z \approx -11.78\text{mm}$	18.49mm	Warning
-------------------------------	-------------------------------------	---	---------	---------



Side C
Sector 1

WARNING

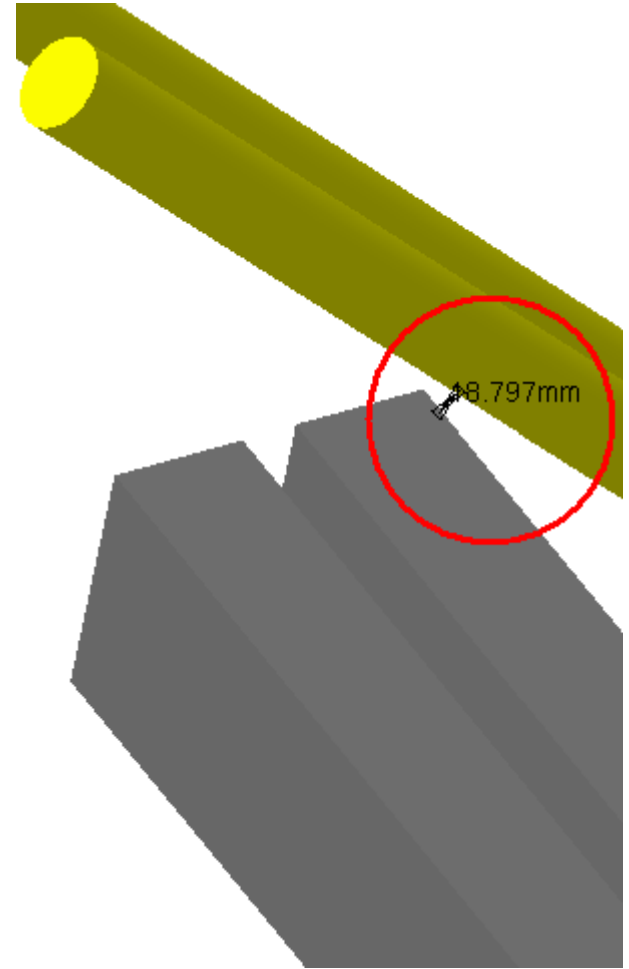
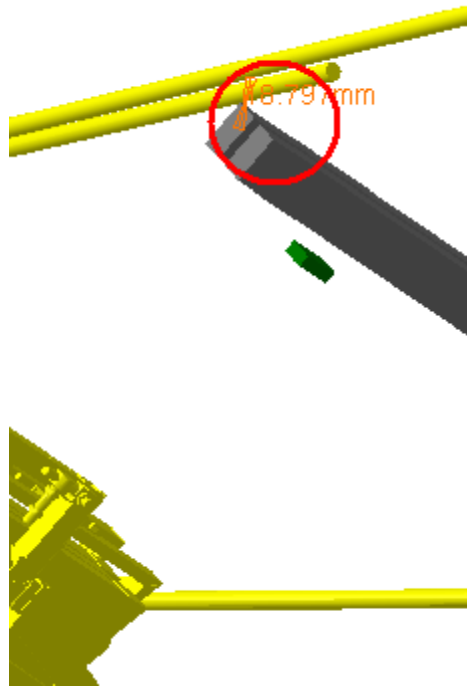
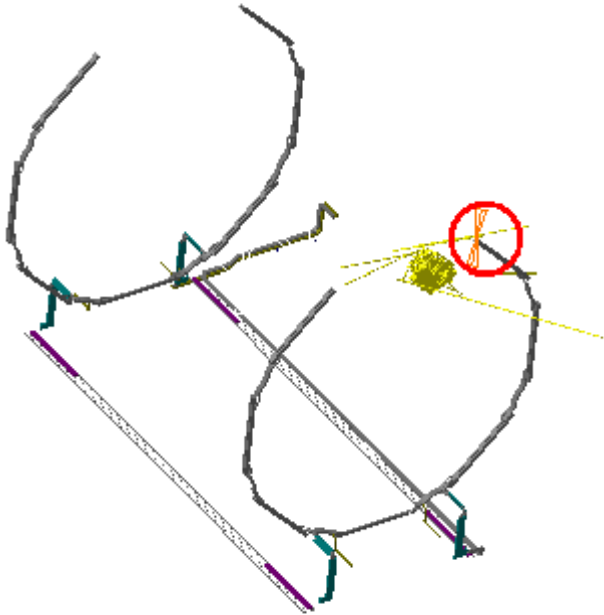
AT882094MQ Vacuum Cable Trays	AT632629MQ MQ Alignment BAR EIL4	Vector coordinate $\Delta X \approx 10.24\text{mm}$ $\Delta Y \approx 10.1\text{mm}$ $\Delta Z \approx -12.1\text{mm}$	18.8mm	Warning
-------------------------------	-------------------------------------	---	--------	---------



Side C
Sector 3

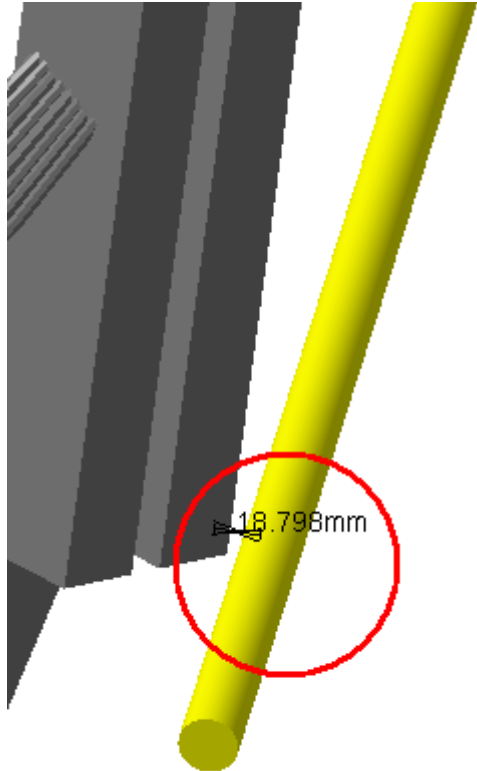
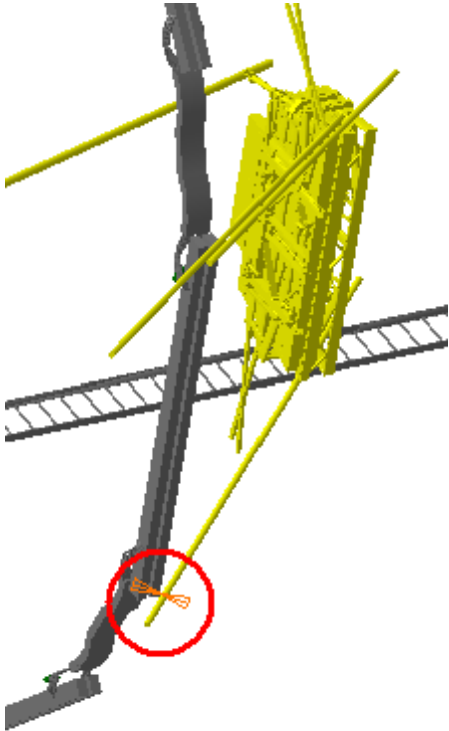
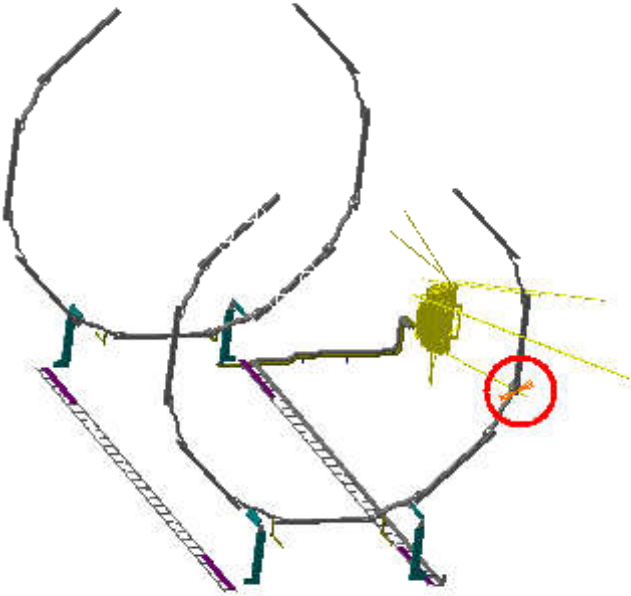
WARNING

AT882094MQ Vacuum Cable Trays	AT632631MQ MQ Alignment BAR EIL4	Vector coordinate $\Delta X \approx -10.24\text{mm}$ $\Delta Y \approx 10.1\text{mm}$ $\Delta Z \approx -12.1\text{mm}$	18.8mm	Warning
-------------------------------	-------------------------------------	--	--------	---------



WARNING

AT882094MQ Vacuum Cable Trays	AT632632MQ MQ Alignment BAR EIL4	Vector coordinate $\Delta X \approx -14.49\text{mm}$ $\Delta Y \approx -0.15\text{mm}$ $\Delta Z \approx -11.98\text{mm}$	18.8mm	Warning
-------------------------------	-------------------------------------	--	--------	---------

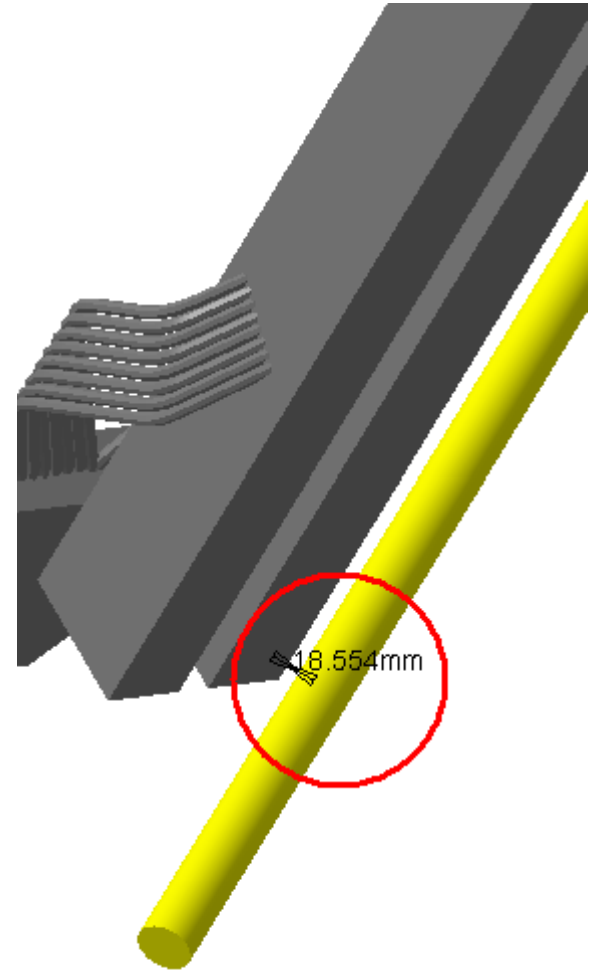
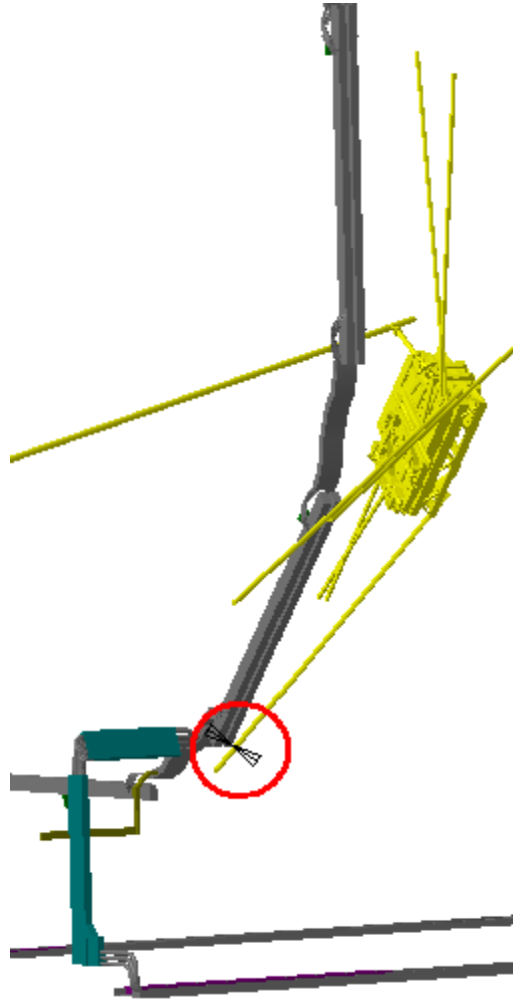
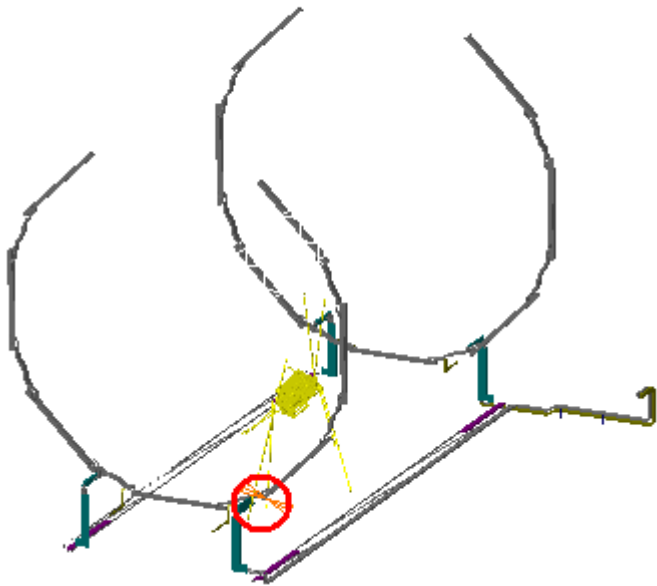


Side C

Sector 9

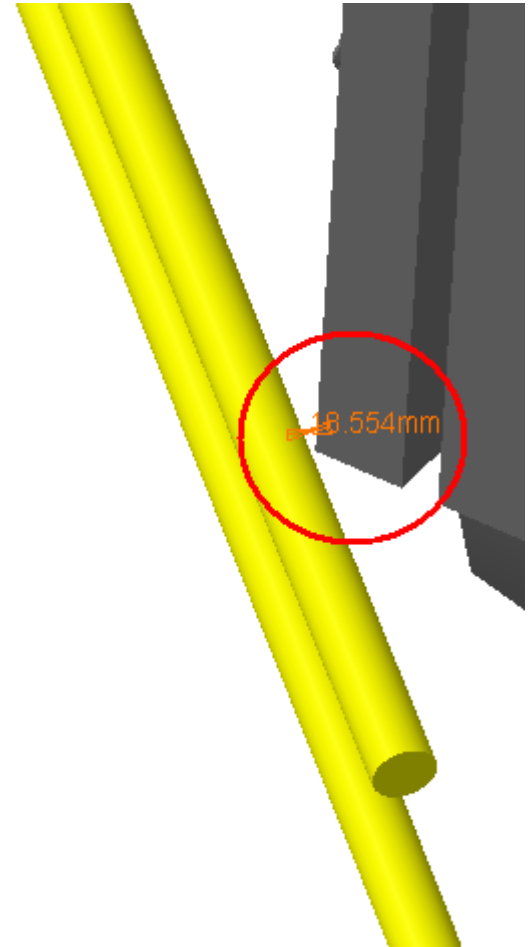
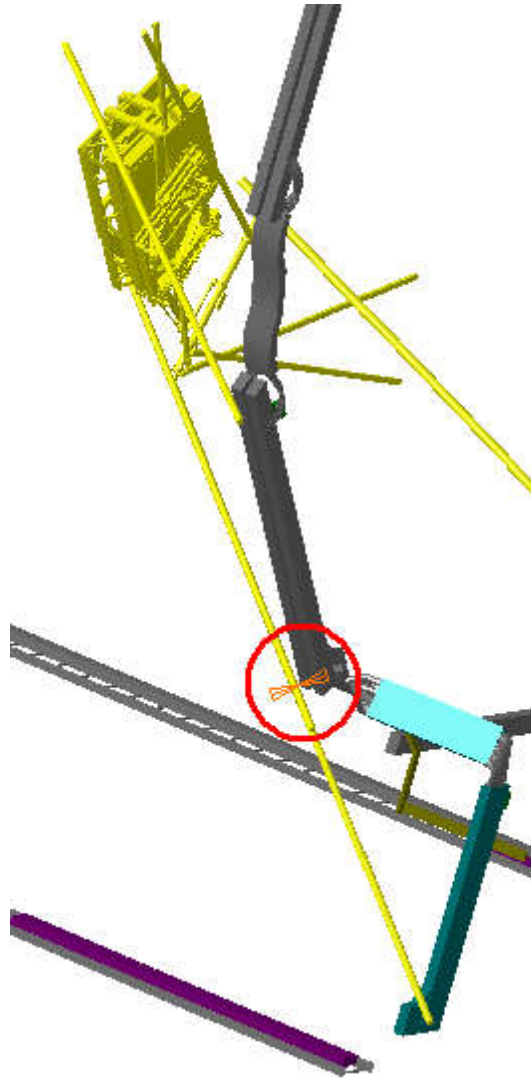
WARNING

AT882094MQ Vacuum Cable Trays	AT632633MQ MQ Alignment BAR EIL4	Vector coordinate $\Delta X \approx -10.11\text{mm}$ $\Delta Y \approx -10.26\text{mm}$ $\Delta Z \approx -11.7\text{mm}$	18.55mm	Warning
-------------------------------	-------------------------------------	--	---------	---------



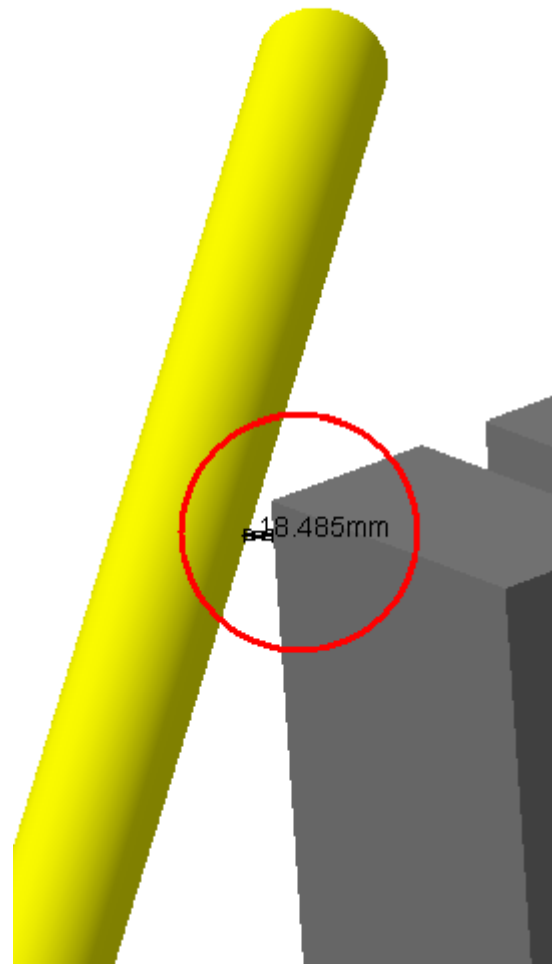
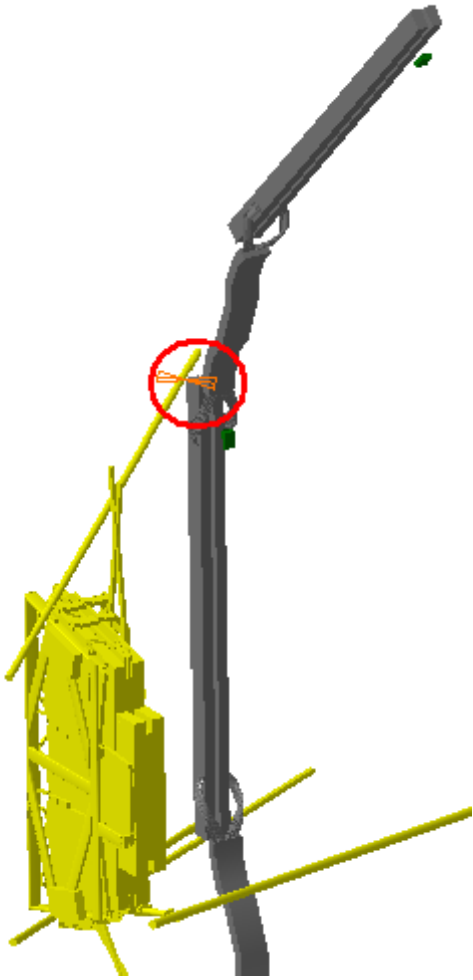
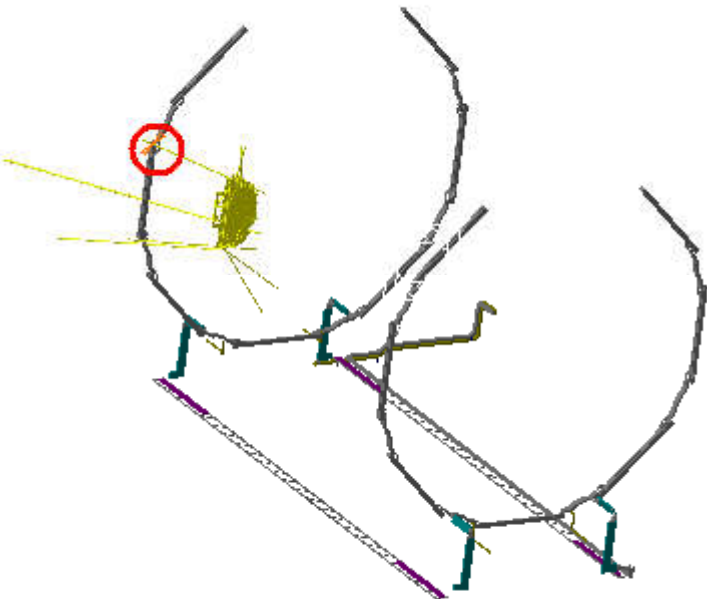
WARNING

AT882094MQ Vacuum Cable Trays	AT632635MQ MQ Alignment BAR EIL4	Vector coordinate $\Delta X \approx 10.11\text{mm}$ $\Delta Y \approx -10.26\text{mm}$ $\Delta Z \approx -11.7\text{mm}$	18.55mm	Warning
-------------------------------	-------------------------------------	---	---------	---------



WARNING

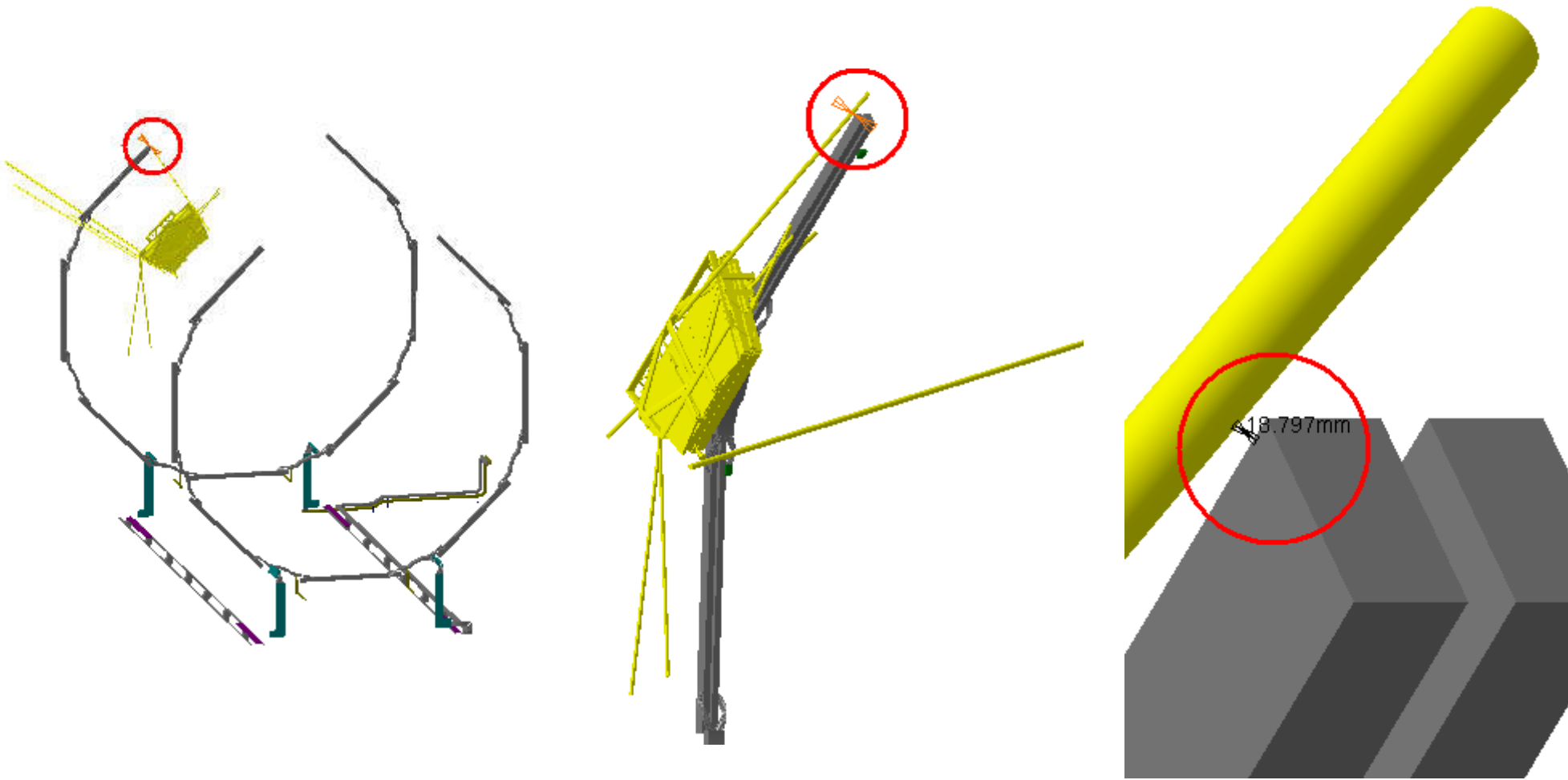
AT882094MQ Vacuum Cable Trays	AT632803MQ MQ Alignment BAR EIL4	Vector coordinate $\Delta X \approx 14.25\text{mm}$ $\Delta Y \approx 0.15\text{mm}$ $\Delta Z \approx 11.78\text{mm}$	18.49mm	Warning
-------------------------------	-------------------------------------	---	---------	---------



Side A
Sector 1

WARNING

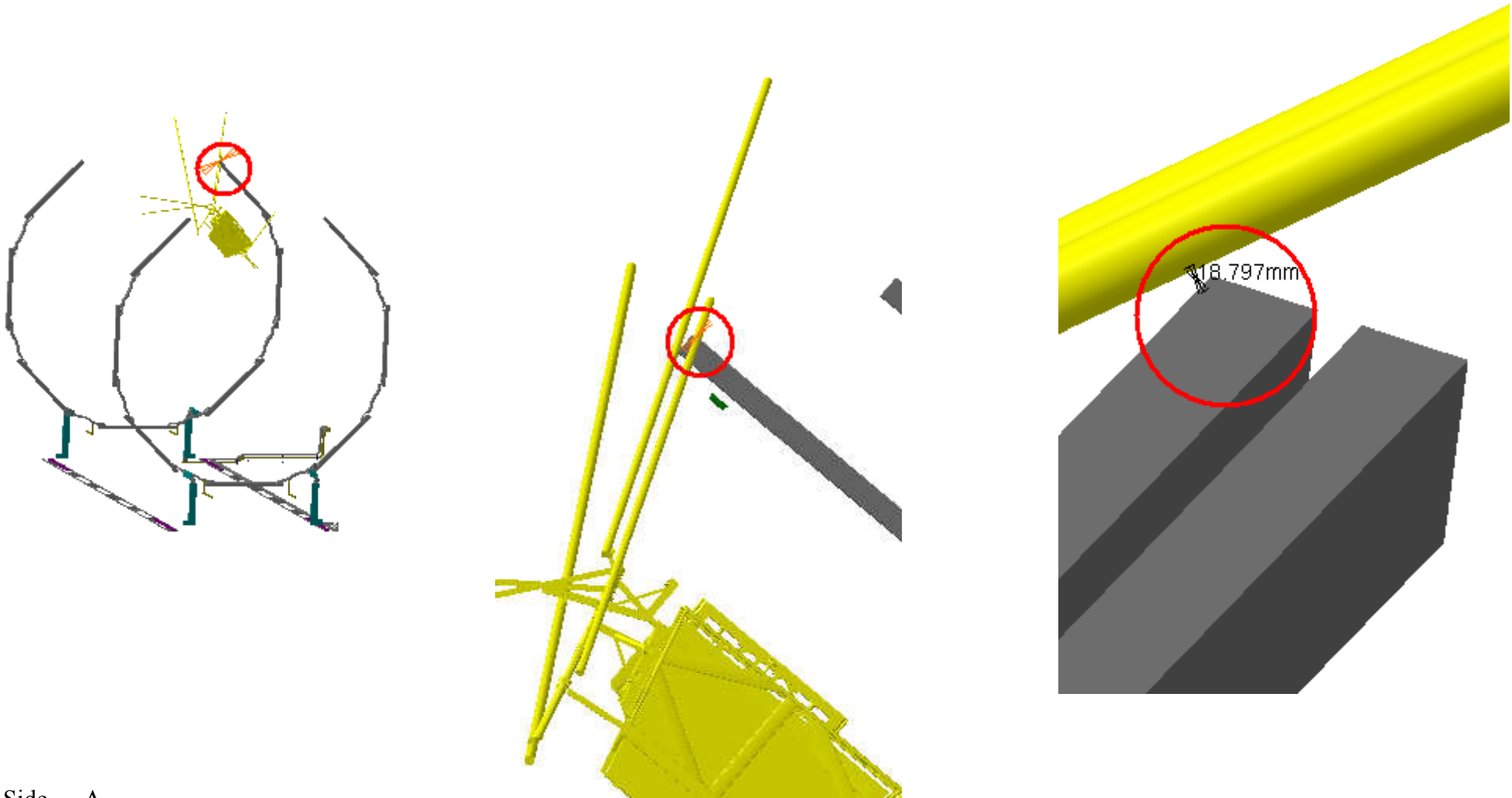
AT882094MQ Vacuum Cable Trays	AT632804MQ MQ Alignment BAR EIL4	Vector coordinate $\Delta X \approx 10.24\text{mm}$ $\Delta Y \approx 10.39\text{mm}$ $\Delta Z \approx 11.85\text{mm}$	18.8mm	Warning
-------------------------------	-------------------------------------	--	--------	---------



Side A
Sector 3

WARNING

AT882094MQ Vacuum Cable Trays	AT632806MQ MQ Alignment BAR EIL4	Vector coordinate $\Delta X \approx -10.24\text{mm}$ $\Delta Y \approx 10.39\text{mm}$ $\Delta Z \approx 11.85\text{mm}$	18.8mm	Warning
-------------------------------	----------------------------------	---	--------	---------

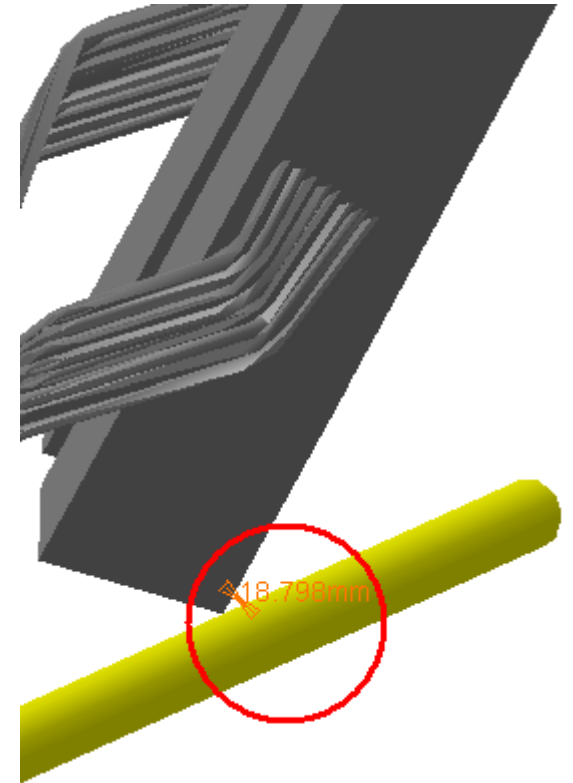
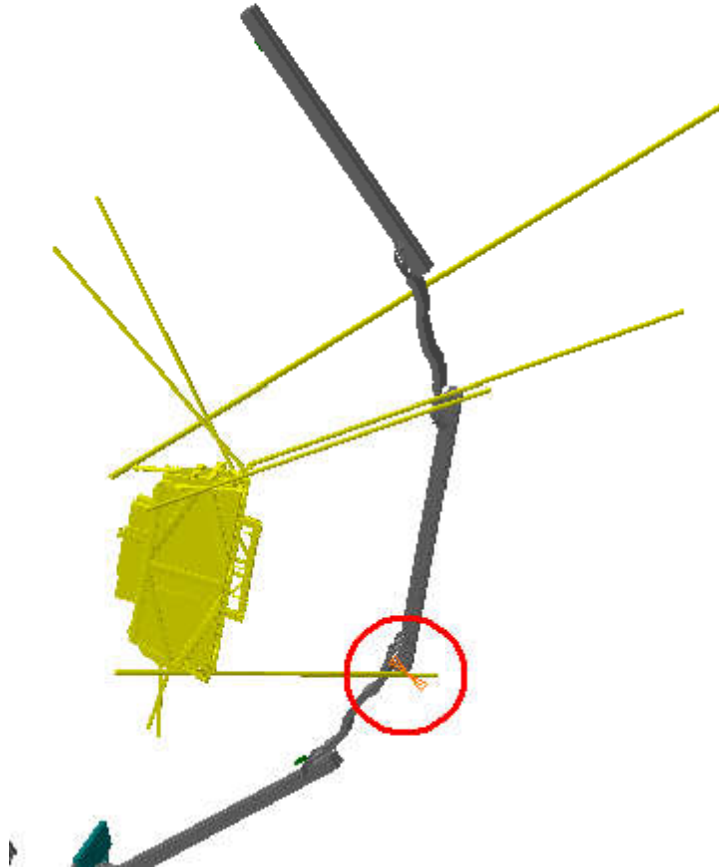
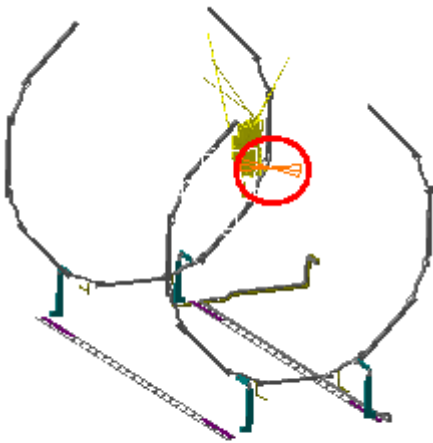


Side A

Sector 7

WARNING

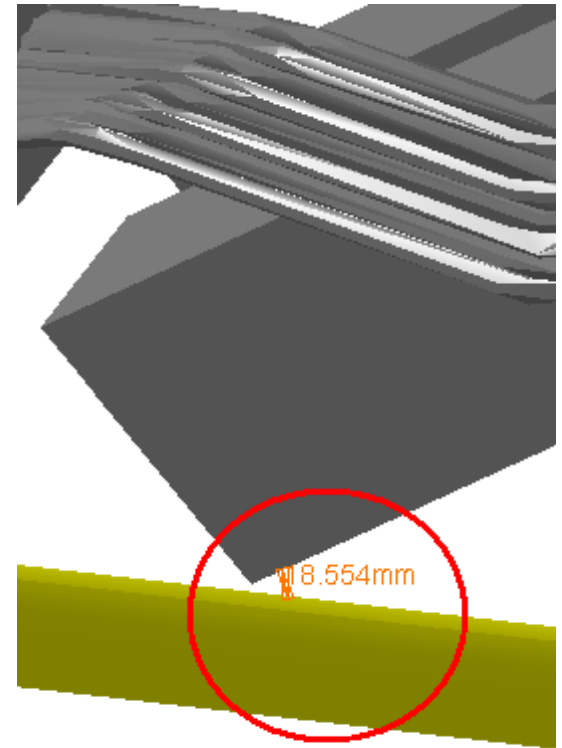
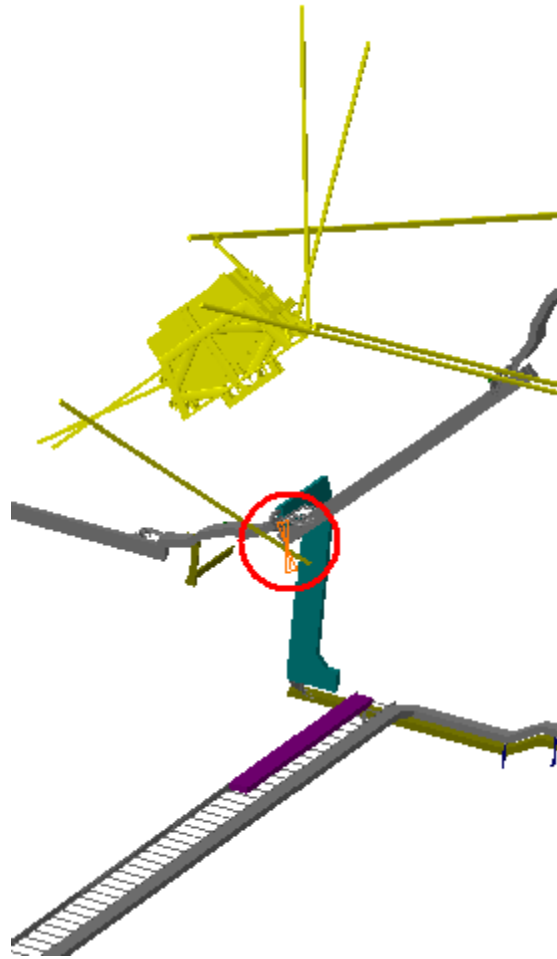
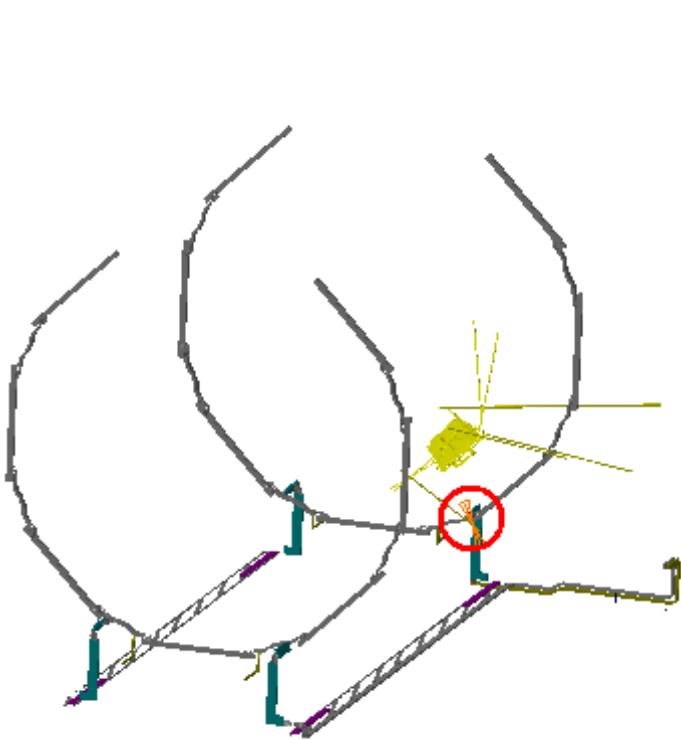
AT882094MQ Vacuum Cable Trays	AT632807MQ MQ Alignment BAR EIL4	Vector coordinate $\Delta X \approx -14.49\text{mm}$ $\Delta Y \approx 0.15\text{mm}$ $\Delta Z \approx 11.98\text{mm}$	18.8mm	Warning
-------------------------------	----------------------------------	--	--------	---------



Side A
Sector 9

WARNING

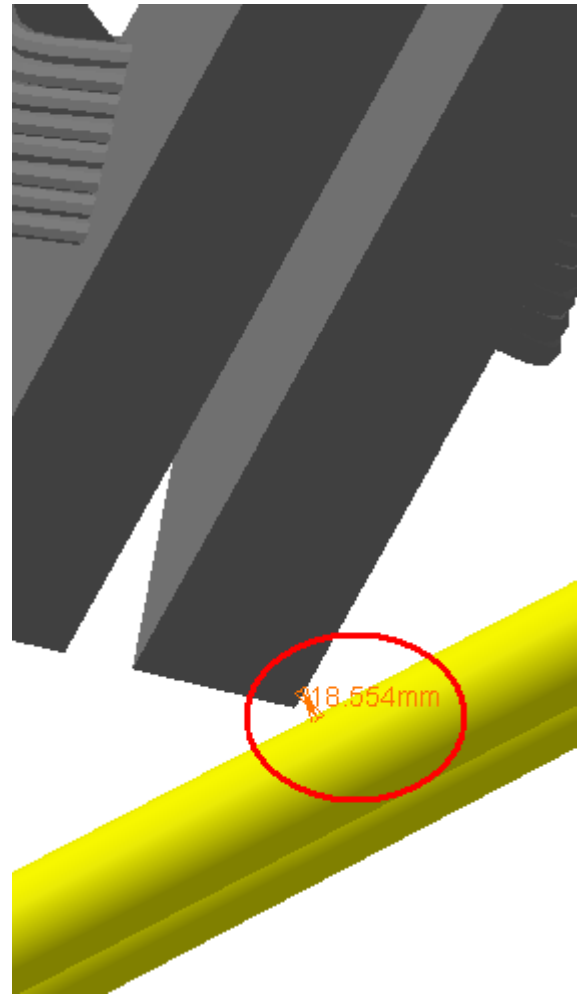
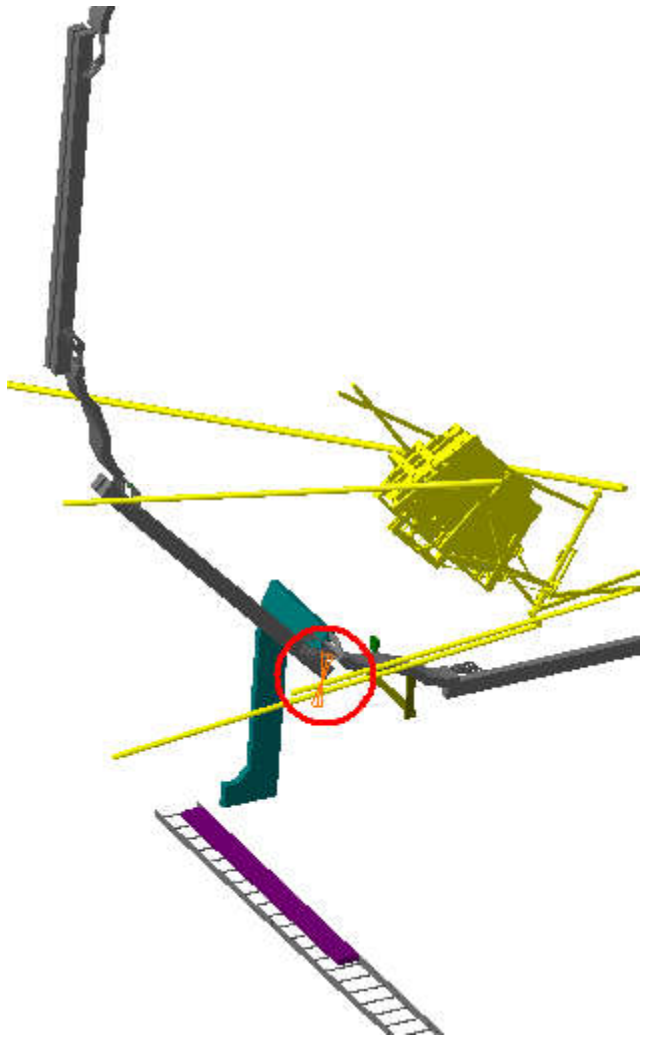
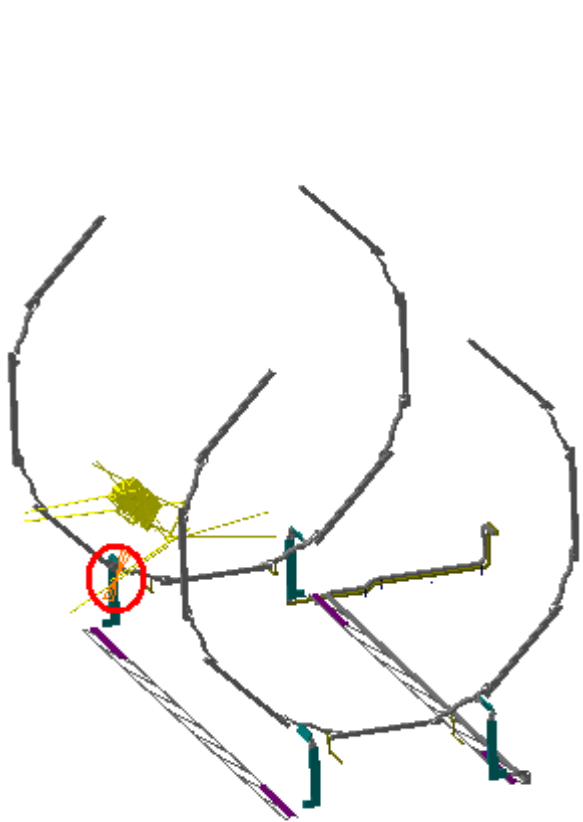
AT882094MQ Vacuum Cable Trays	AT632808MQ MQ Alignment BAR EIL4	Vector coordinate $\Delta X \approx -10.11\text{mm}$ $\Delta Y \approx -9.96\text{mm}$ $\Delta Z \approx 11.95\text{mm}$	18.55mm	Warning
-------------------------------	-------------------------------------	---	---------	---------



Side A
Sector 11

WARNING

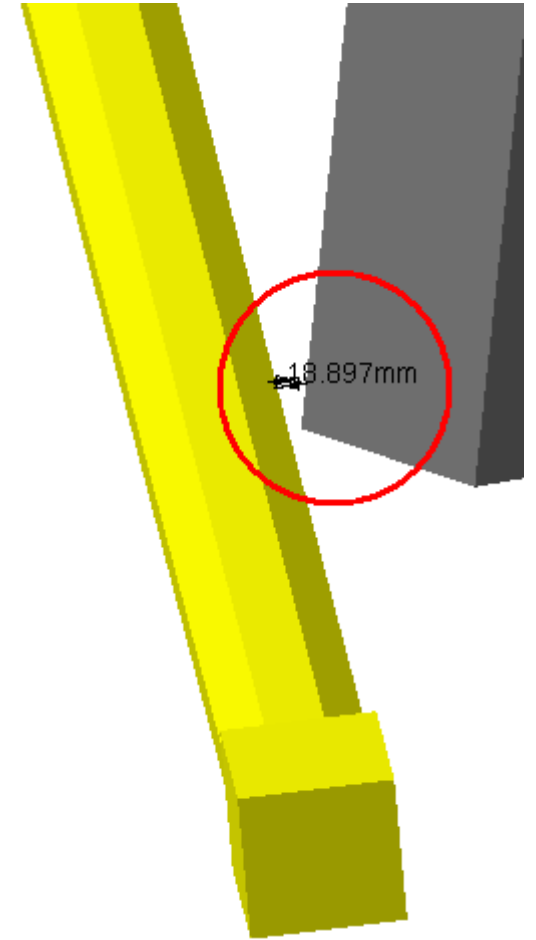
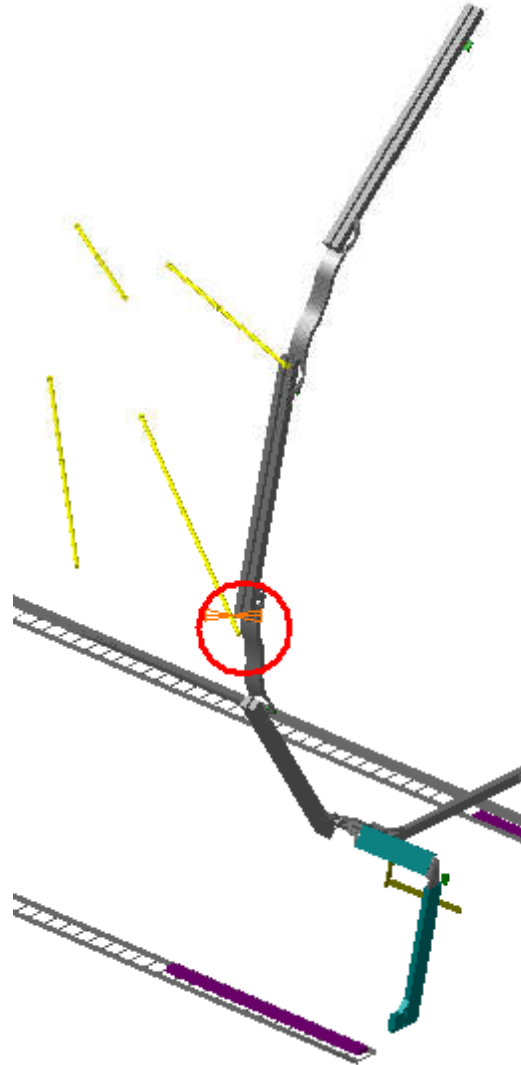
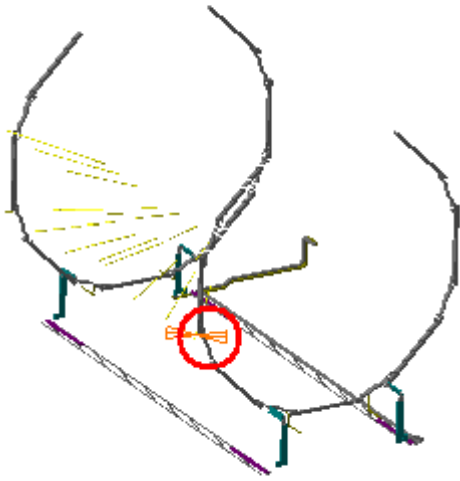
AT882094MQ Vacuum Cable Trays	AT632810MQ MQ Alignment BAR EIL4	Vector coordinate $\Delta X \approx 10.11\text{mm}$ $\Delta Y \approx -9.96\text{mm}$ $\Delta Z \approx 11.95\text{mm}$	18.55mm	Warning
-------------------------------	-------------------------------------	--	---------	---------



Side A
Sector 15

RELEVANT

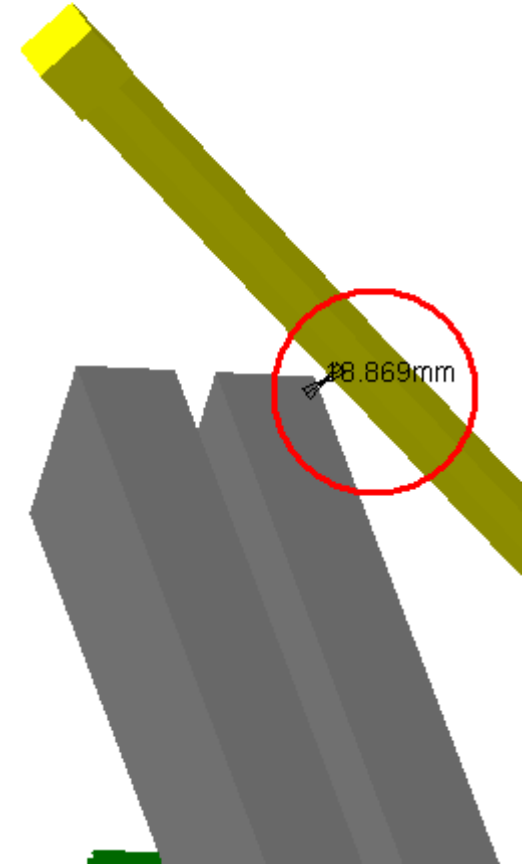
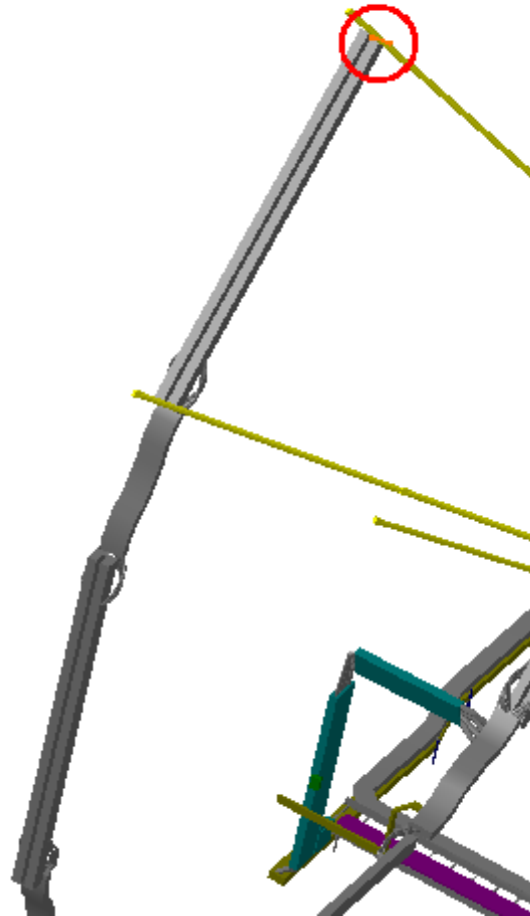
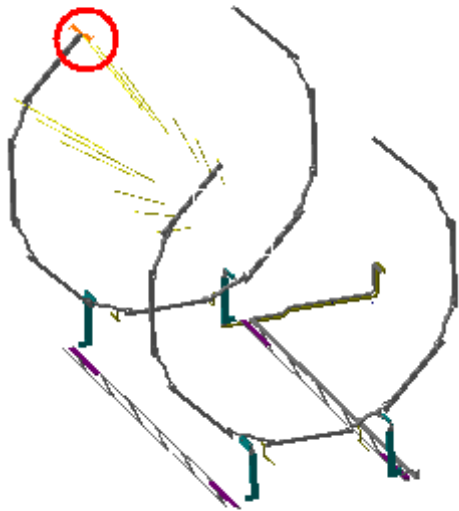
AT882094MQ Vacuum Cable Trays	ATCNMA_0001 BARREL PROJECTIVE ALIGNMENT. - SIMPLE 3-D MODEL. SECTOR 1	Vector coordinate $\Delta X \approx 14.56\text{mm}$ $\Delta Y \approx -0.15\text{mm}$ $\Delta Z \approx -12.04\text{mm}$	18.9mm	Relevant
-------------------------------	---	---	--------	----------



Side C
Sector 1

RELEVANT

AT882094MQ Vacuum Cable Trays	ATCNMA_0002 BARREL PROJECTIVE ALIGNMENT. - SIMPLE 3-D MODEL. SECTOR 3.	Vector coordinate $\Delta X \approx 10.28\text{mm}$ $\Delta Y \approx 10.43\text{mm}$ $\Delta Z \approx 11.89\text{mm}$	18.87mm	Relevant
-------------------------------	--	--	---------	----------

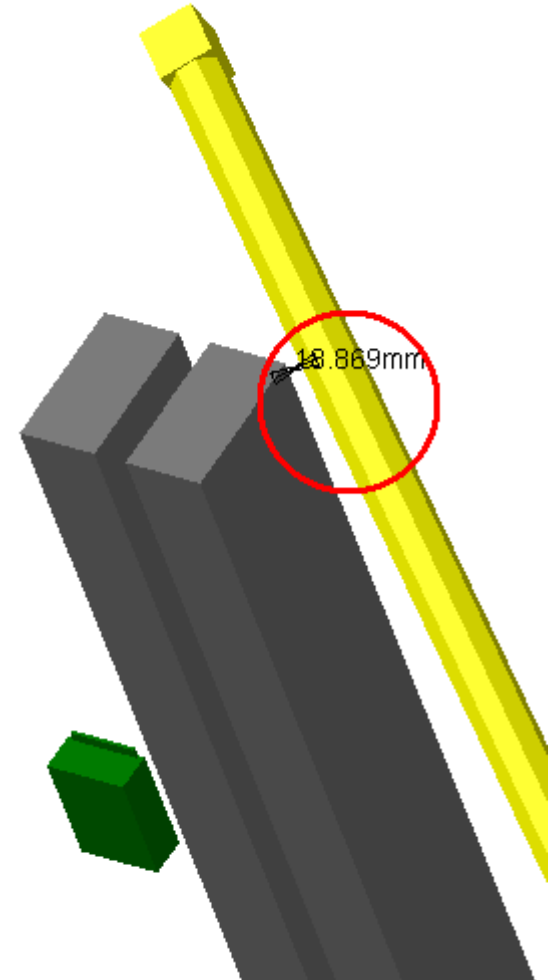
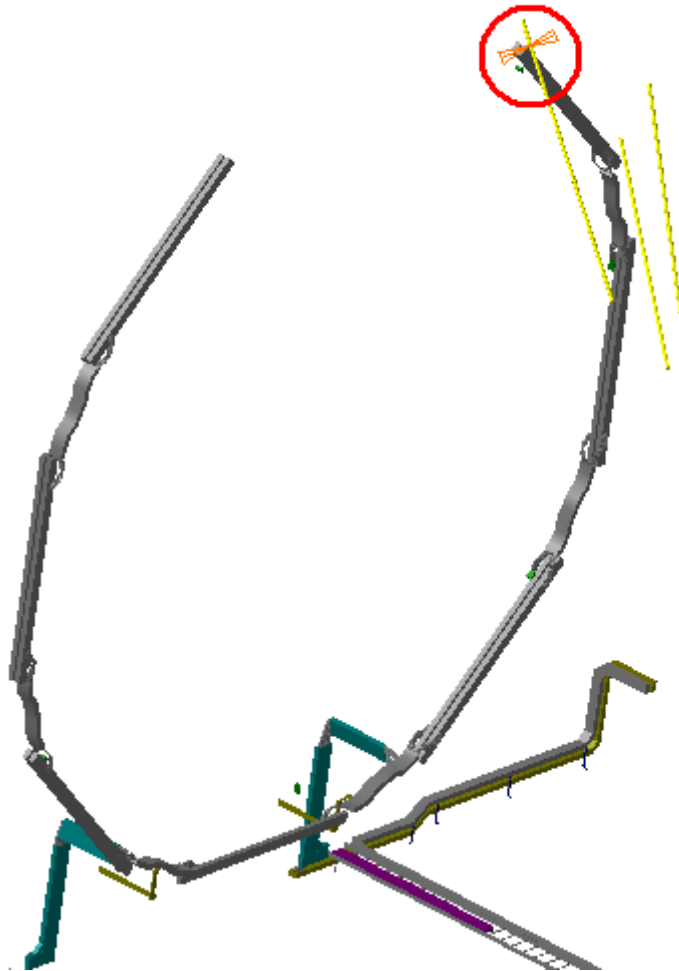
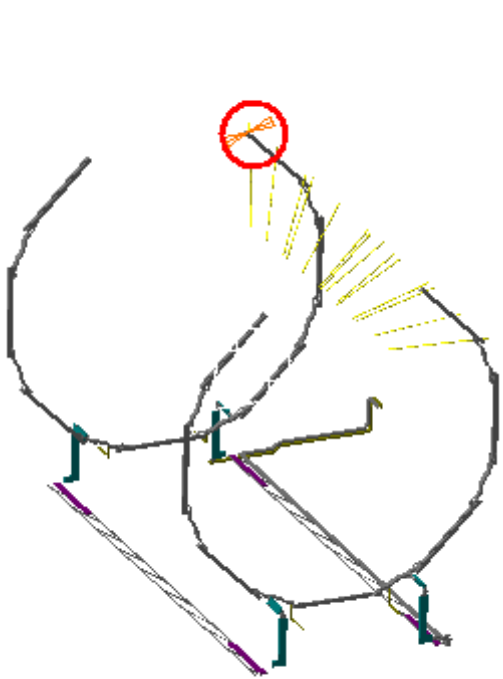


Side A

Sector 3

RELEVANT

AT882094MQ Vacuum Cable Trays	ATCNMA_0004 BARREL PROJECTIVE ALIGNMENT. - SIMPLE 3-D MODEL. SECTOR 7.	Vector coordinate $\Delta X \approx -10.28\text{mm}$ $\Delta Y \approx 10.43\text{mm}$ $\Delta Z \approx 11.89\text{mm}$	18.87mm	Relevant
-------------------------------	--	---	---------	----------

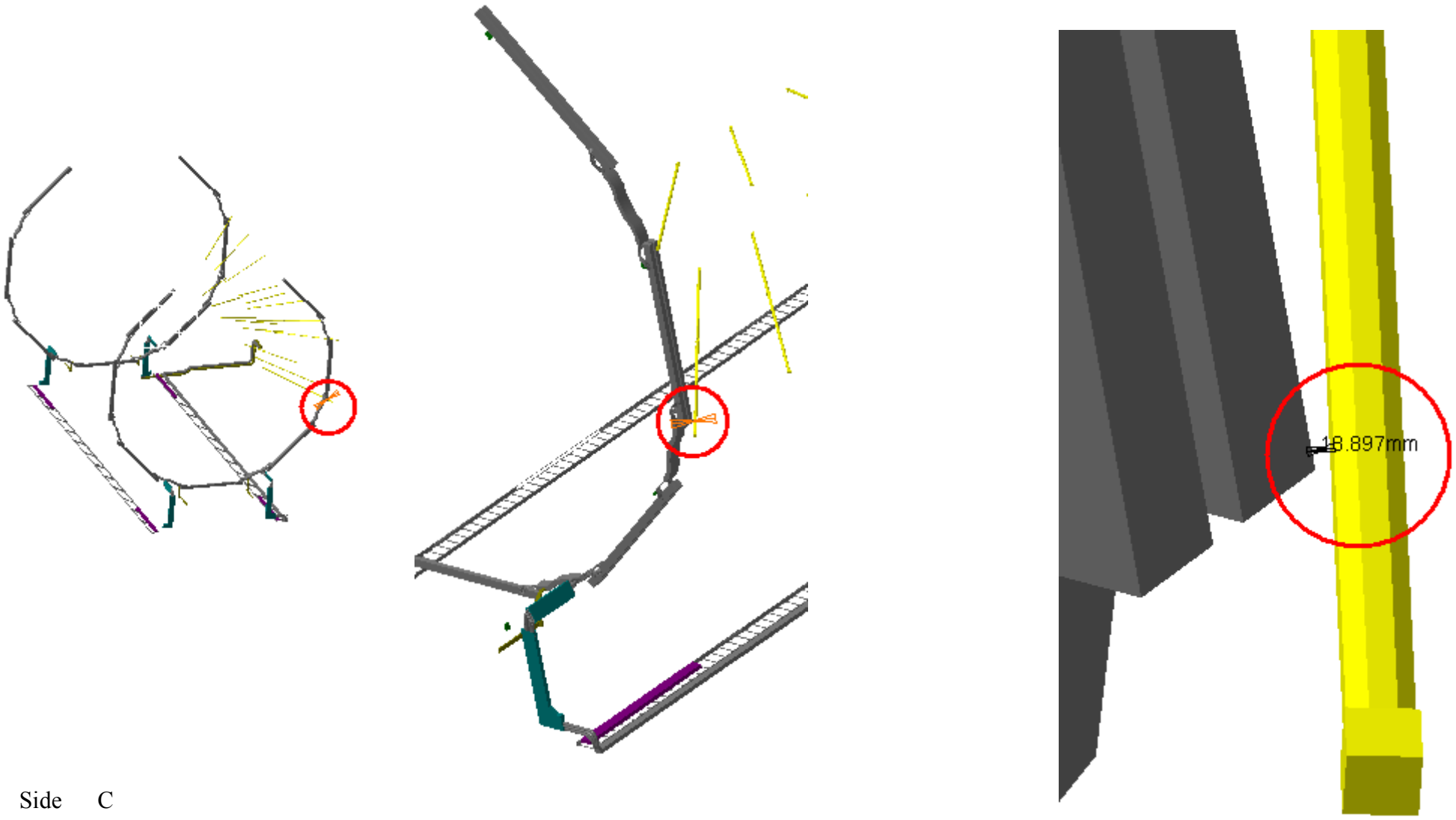


Side A

Sector 7

RELEVANT

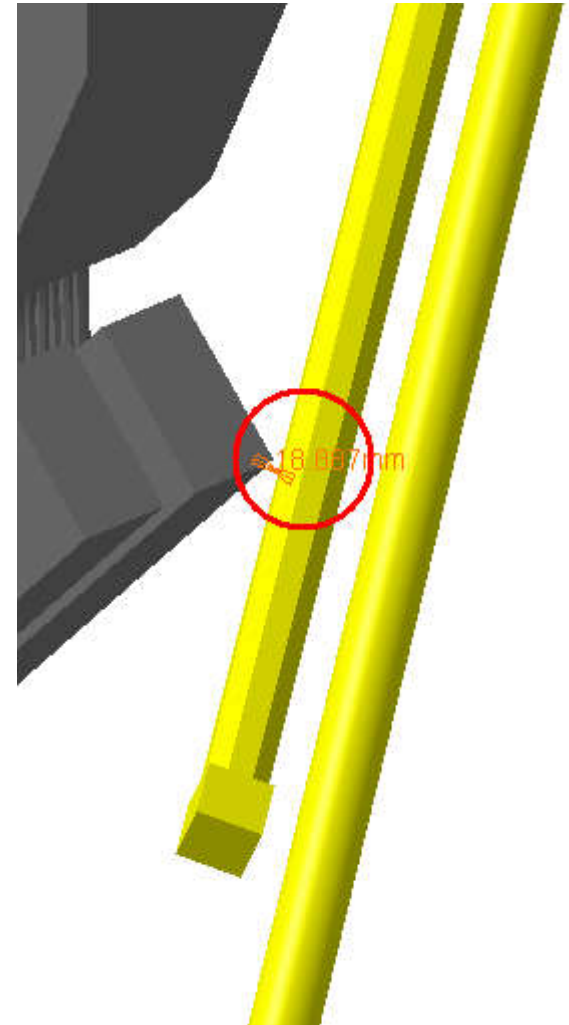
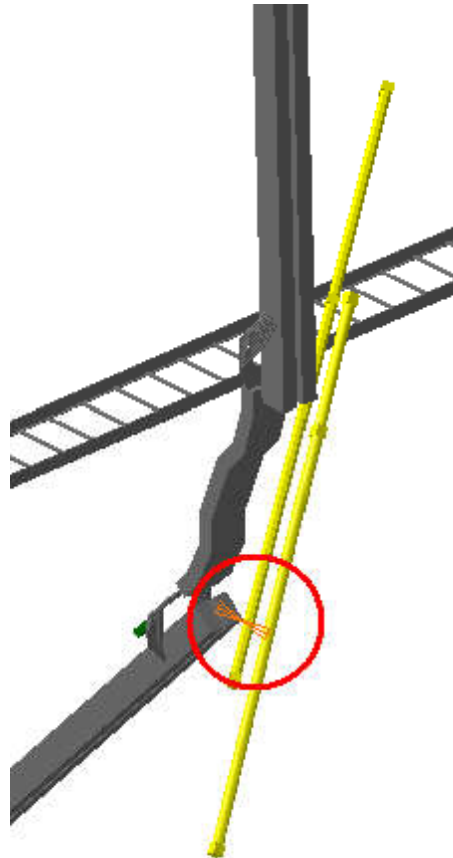
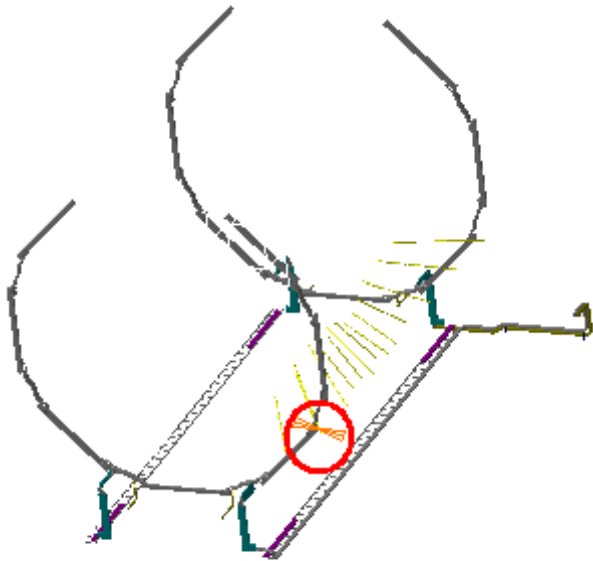
AT882094MQ Vacuum Cable Trays	ATCNMA_0005 BARREL PROJECTIVE ALIGNMENT. - SIMPLE 3-D MODEL. SECTOR 9.	Vector coordinate $\Delta X \approx -14.56\text{mm}$ $\Delta Y \approx -0.15\text{mm}$ $\Delta Z \approx -12.04\text{mm}$	18.9mm	Relevant
-------------------------------	--	--	--------	----------



Side C
Sector 9

RELEVANT

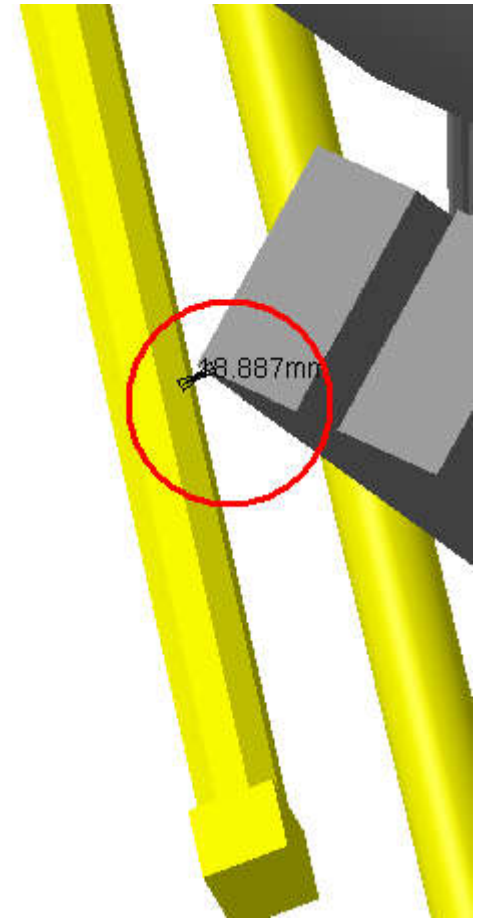
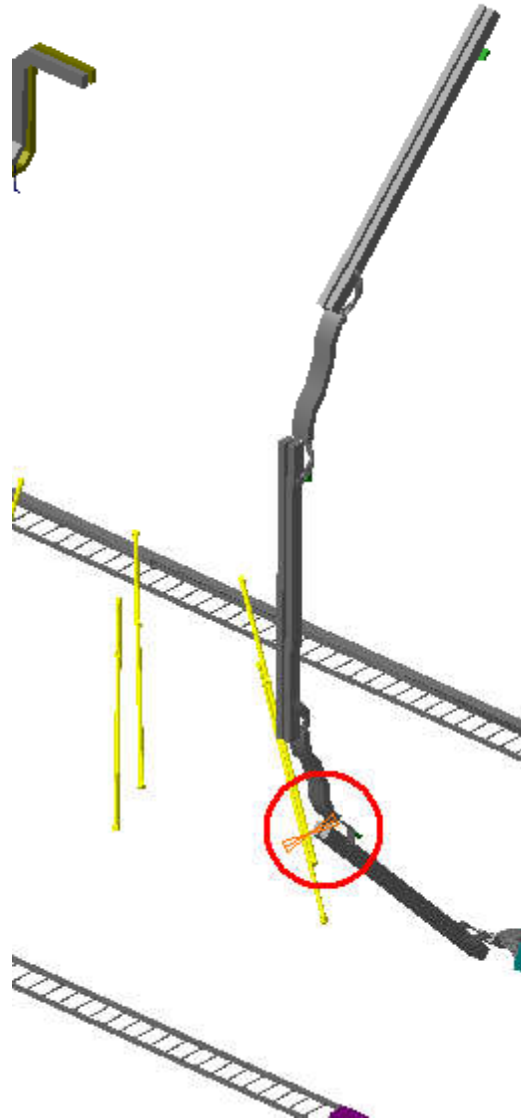
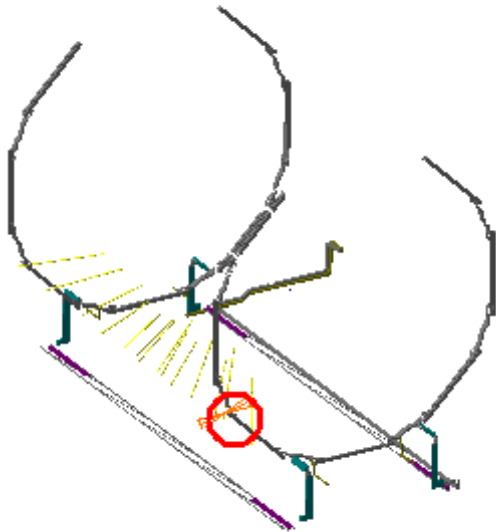
AT882094MQ Vacuum Cable Trays	ATCNMA_0006 BARREL PROJECTIVE ALIGNMENT. - SIMPLE 3-D MODEL. SECTOR 11.	Vector coordinate $\Delta X \approx -10.29\text{mm}$ $\Delta Y \approx -10.44\text{mm}$ $\Delta Z \approx -11.91\text{mm}$	18.89mm	Relevant
-------------------------------	---	---	---------	----------



Side C
Sector 11

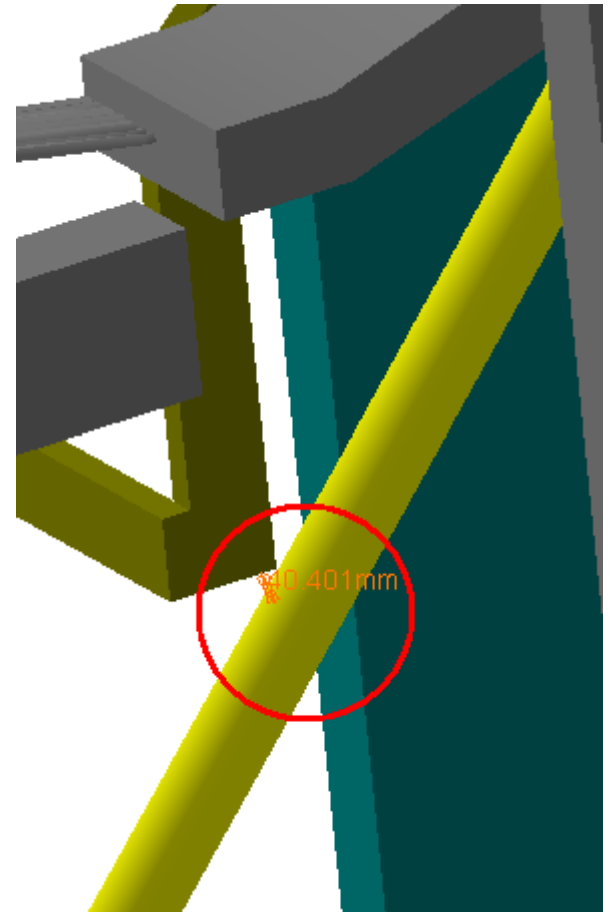
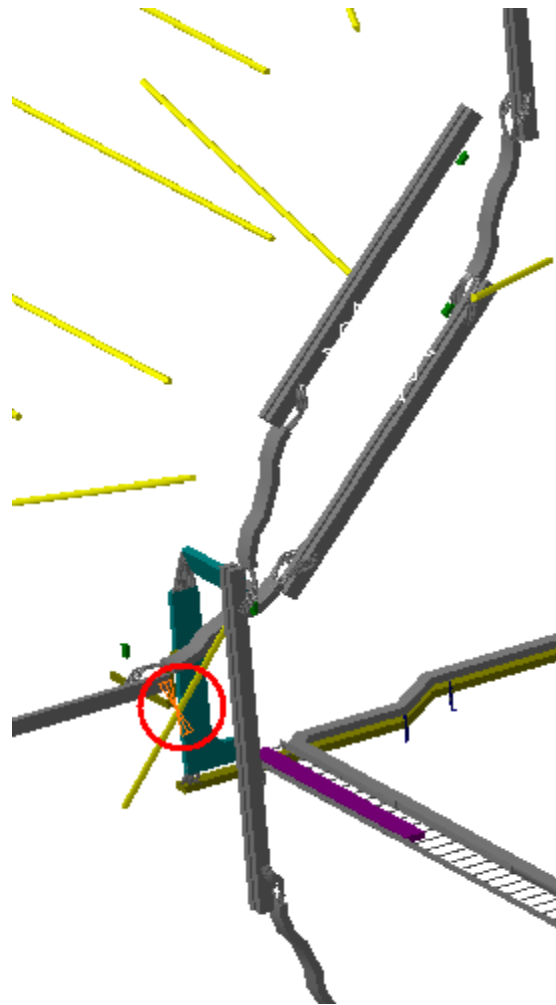
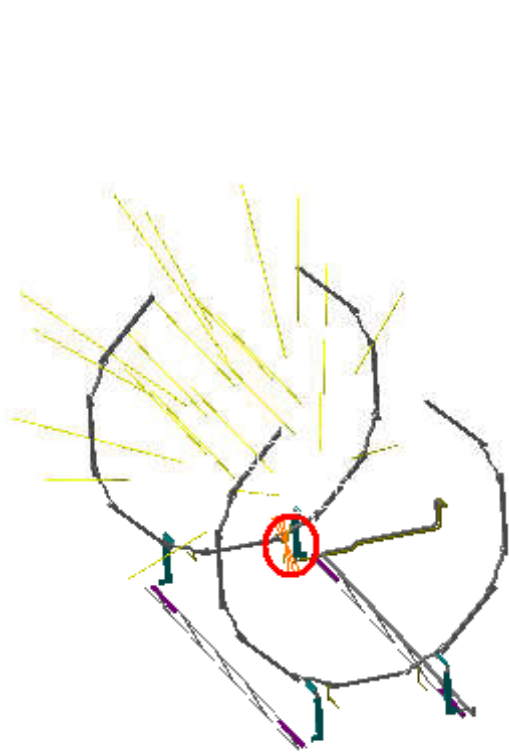
RELEVANT

AT882094MQ Vacuum Cable Trays	ATCNMA_0008 BARREL PROJECTIVE ALIGNMENT. - SIMPLE 3-D MODEL. SECTOR 15.	Vector coordinate $\Delta X \approx 10.29\text{mm}$ $\Delta Y \approx -10.44\text{mm}$ $\Delta Z \approx -11.91\text{mm}$	18.89mm	Relevant
-------------------------------	---	--	---------	----------



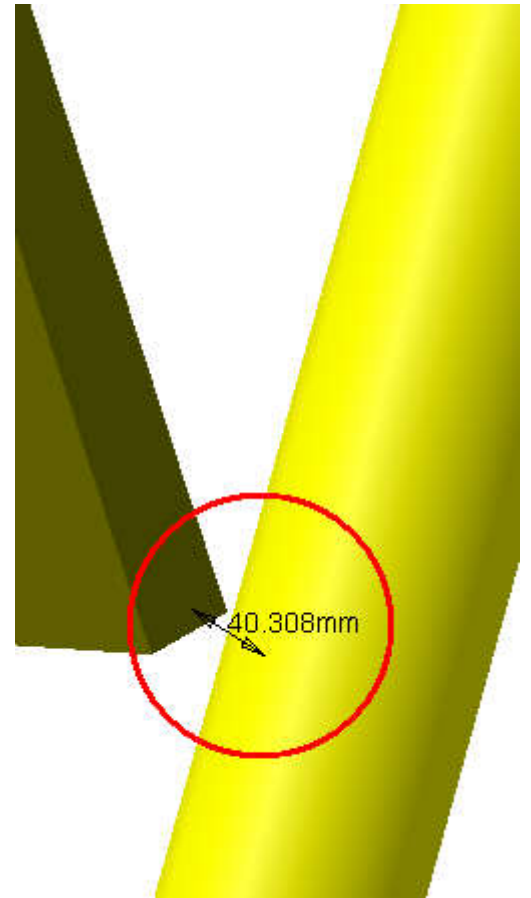
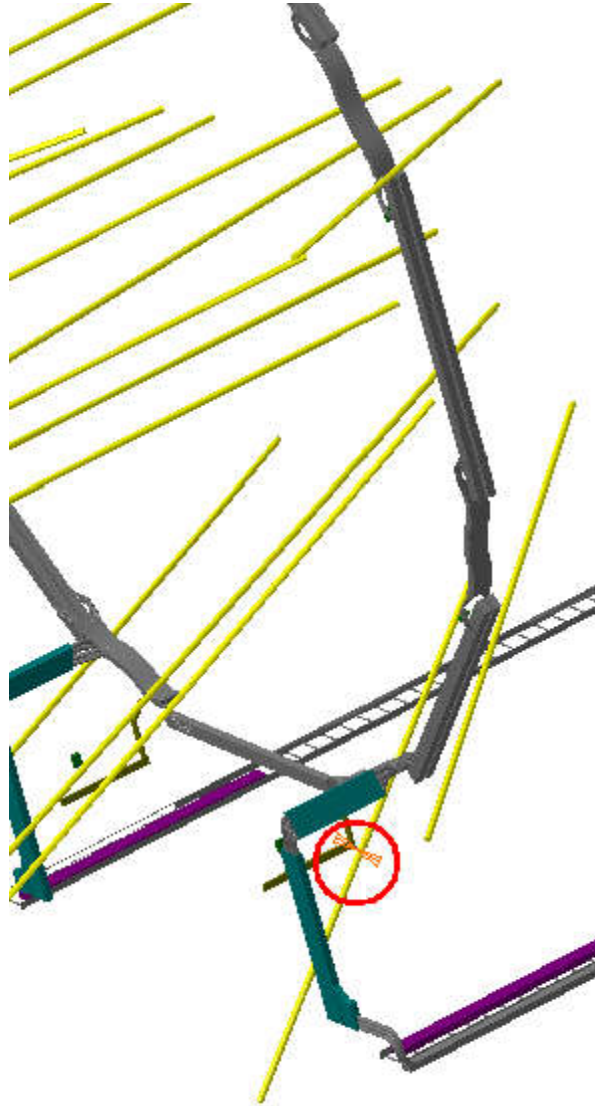
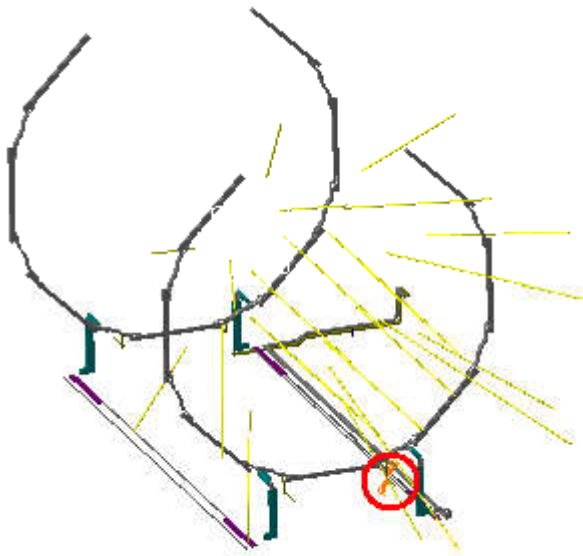
Side C
Sector 15

AT882094MQ Vacuum Cable Trays	ATCNMA_0009 END CAP ALIGNMENT SIDE "A". - SIMPLE 3-D MODEL.	Vector coordinate $\Delta X \approx 0\text{mm}$ $\Delta Y \approx -30.72\text{mm}$ $\Delta Z \approx 26.24\text{mm}$	40.4mm	Not Relevant
-------------------------------	---	---	--------	--------------



Side A
Sector 13

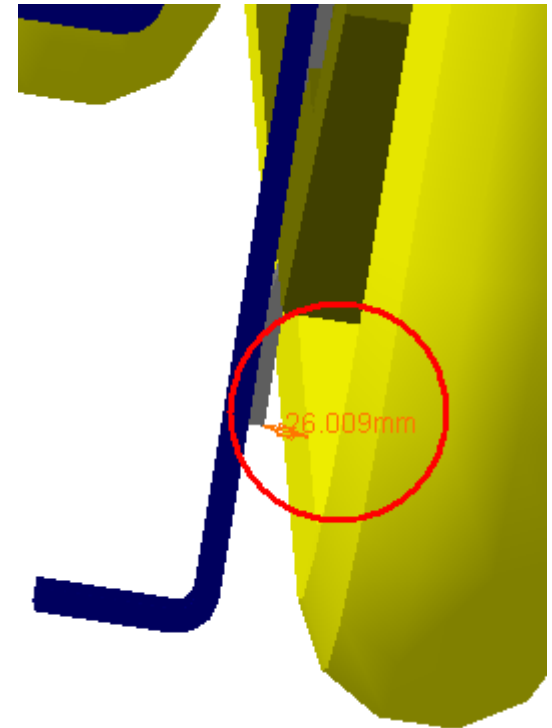
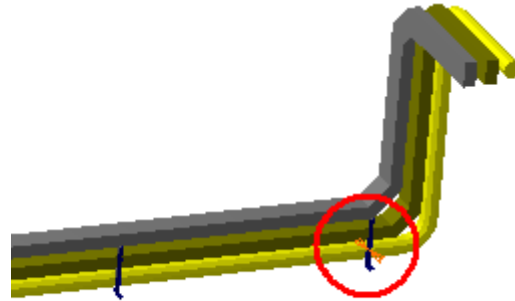
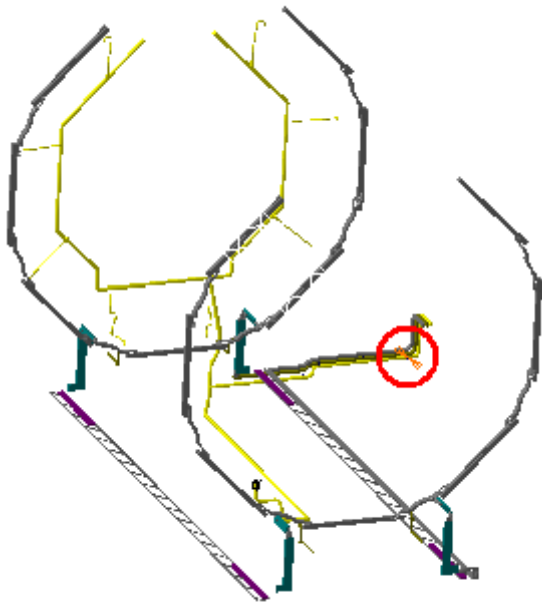
AT882094MQ Vacuum Cable Trays	ATCNMA_0010 END CAP ALIGNMENT SIDE "C" - SIMPLE 3-D MODEL	Vector coordinate $\Delta X \approx 0\text{mm}$ $\Delta Y \approx -31.28\text{mm}$ $\Delta Z \approx -25.42\text{mm}$	40.31mm	Not Relevant
-------------------------------	---	--	---------	--------------



Side C

Sector 13

AT882094MQ Vacuum Cable Trays	ATCNSM_0009 TB - VACUUM PIPE SYSTEM SIDE A	Vector coordinate $\Delta X \approx 0\text{mm}$ $\Delta Y \approx -2.04\text{mm}$ $\Delta Z \approx -25.93\text{mm}$	26.01mm	Not Relevant
-------------------------------	--	---	---------	--------------



Side A
Sector 11