

Clash Publish



Clash Computation Specification			
Products Selected			
AT882094MQ Vacuum Cable Trays	ATCVHB_0005 EXTREMITY PAIR OF FEET A4 (C4) - DETAILED MODEL FOR STANDARDS	-4.94	Not Relevant
	ATCVHB_0007 ASSEMBLY OF BEDPLATES - DETAILED MODEL FOR STANDARDS	-10.41	Not Relevant
	ATCVHB_0005 M EXTREMITY PAIR OF FEET A4 (C4) - DETAILED MODEL FOR STANDARDS	-4.96	Not Relevant
	ATCNMC_0019 MEE CHAMBERS SIDE C - 3D SIMPLIFIED MODEL	-21.61	Not Relevant
	ATCNNSO_0016 UX 15 - TILE CAL. COOLING PIPES - FROM UNIT STATION TO DETECTOR	-52.64	??
	ATCNNSO_0017 UX 15 - LIQ. AR COOLING PIPES - FROM UNIT STATION TO DECTETOR	-52.74	??
	ATCNNSO_0020 UX 15 - VACCUM PUMP COOLING PIPES - ROUTING FROM UNIT STATION	-87.77	??
	ATCNNSO_0021 UX15 - VACCUM PUMP COOL. PIPES - SUPPORT FOR PIPES	-92.16	Relevant
	ATCNTB_0002 TB FEET COIL - SECTOR 12	-0.84	Not Relevant
	ATCNTB_0007 TB FEET COIL - SECTOR 14	-0.84	Not Relevant

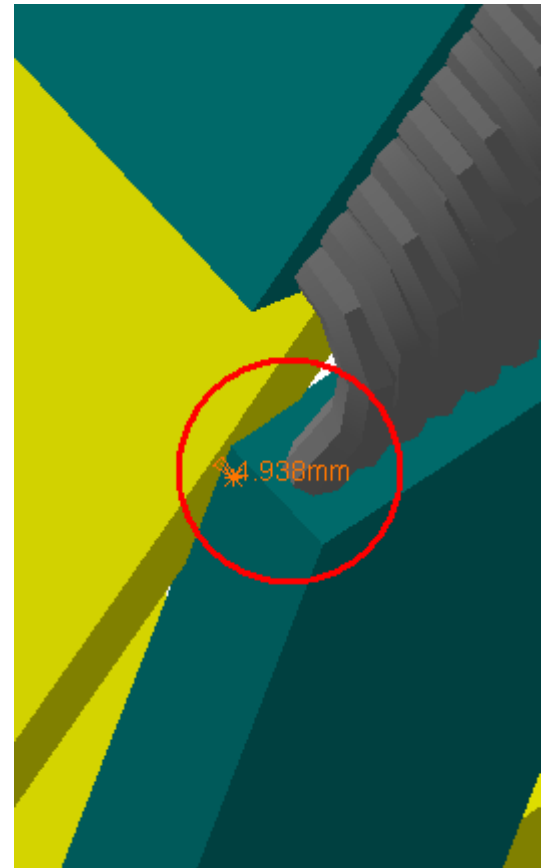
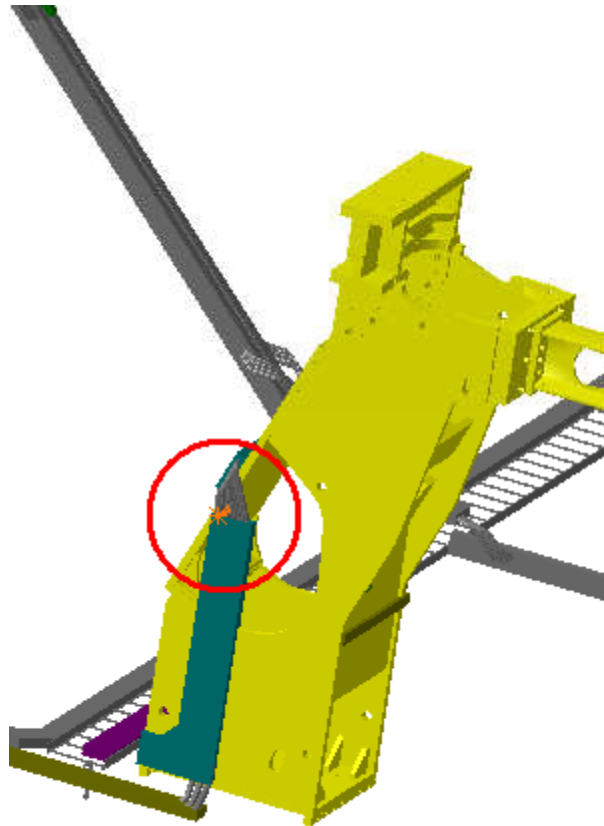
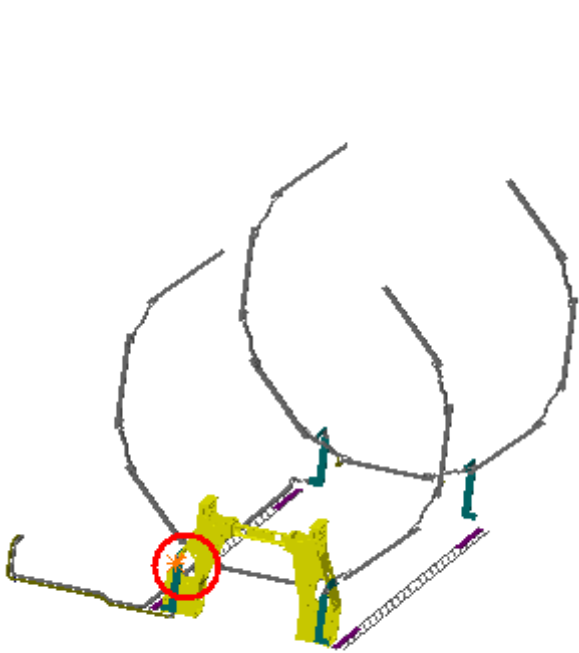
Revised with V.Petrov 4/11/2005

Clash Computation Specification

Products Selected

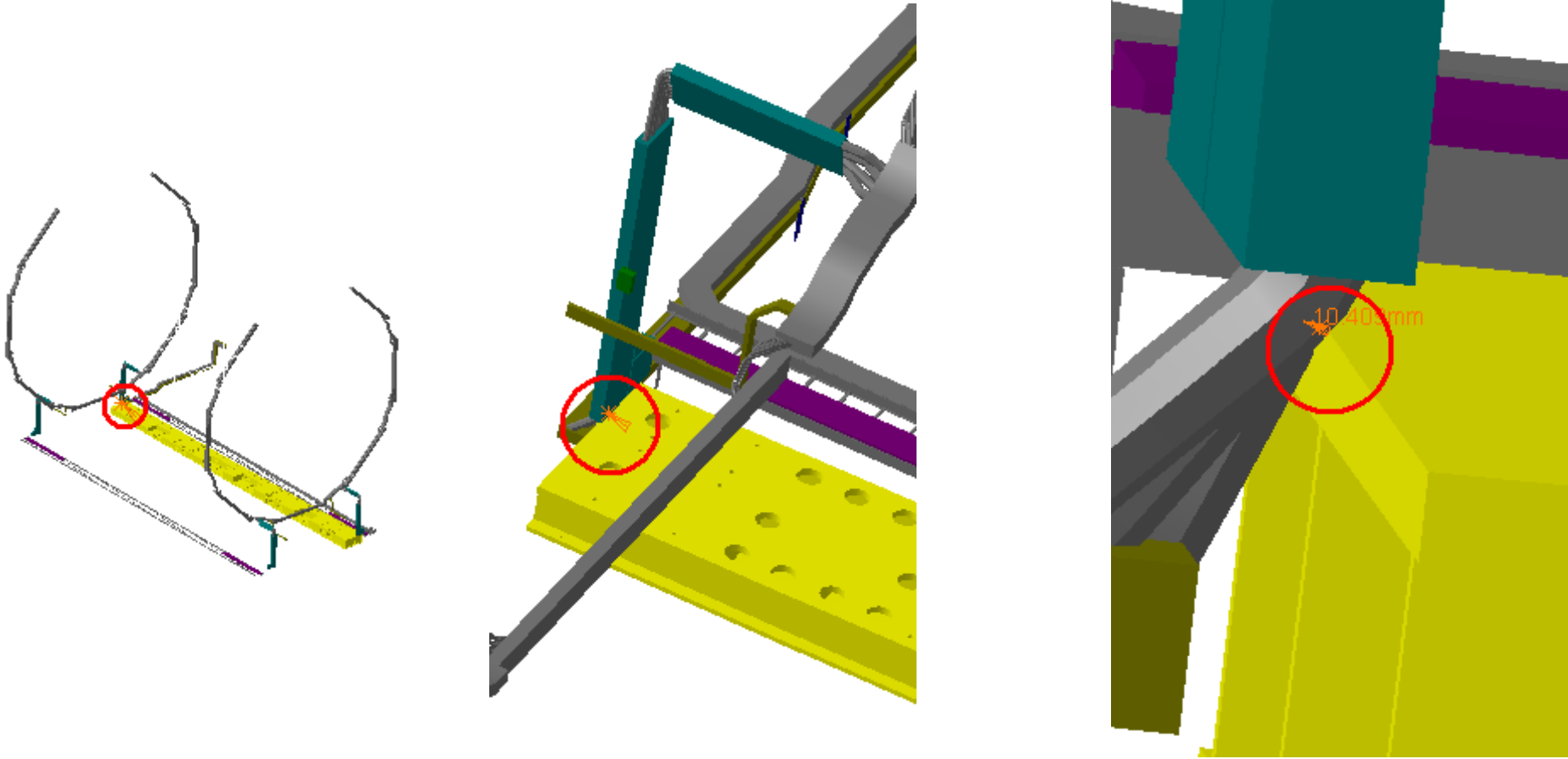
AT882094MQ Vacuum Cable Trays	ATCNTB_0001 BT2 STANDARD COIL - SECTORS 2	-0.85	Not Relevant
	ATCNTB_0001 BT8 STANDARD COIL - SECTORS 8	-0.85	Not Relevant
	ATCNTB_0001 BT10 STANDARD COIL - SECTORS 10	-0.86	Not Relevant
	ATCNTB_0001 BT16 STANDARD COIL - SECTORS 16	-0.86	Not Relevant
	AT812129MQ TWB Structure	-1.79	Not Relevant
	AT812129MQ-M TWB Structure	-1.79	Not Relevant

AT882094MQ Vacuum Cable Trays	ATCVHB_0005 EXTREMITY PAIR OF FEET A4 (C4) - DETAILED MODEL FOR STANDARDS	Clash	-4.94mm	Not Relevant
-------------------------------	---	-------	---------	--------------



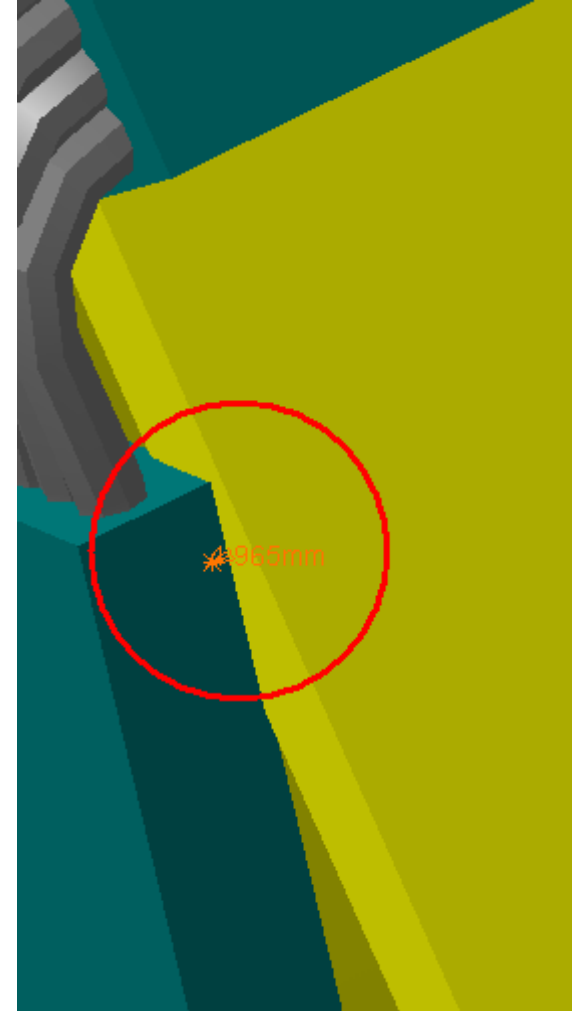
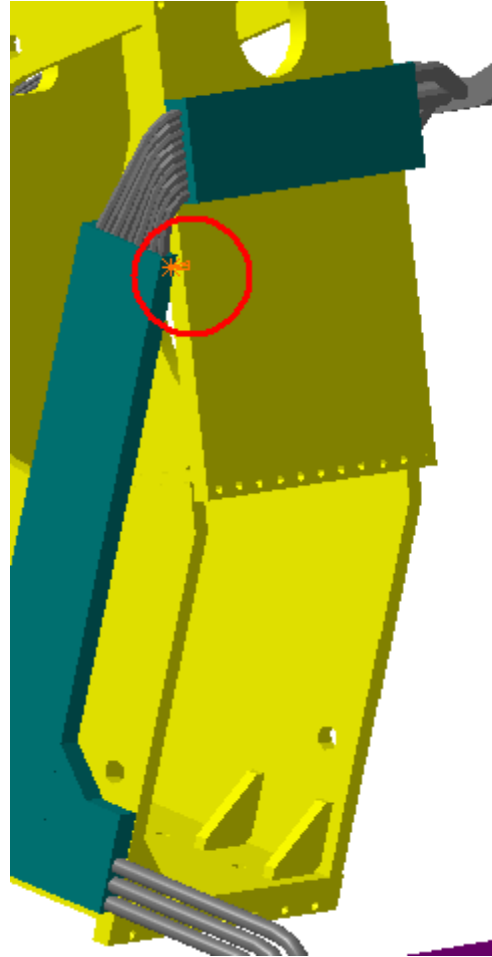
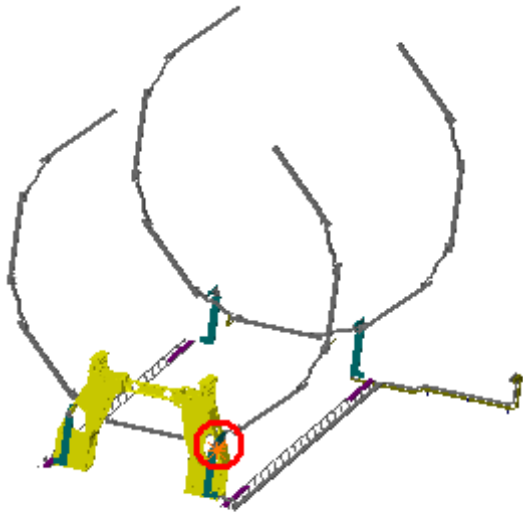
Side A
Sector 12

AT882094MQ Vacuum Cable Trays	ATCVHB_0007 ASSEMBLY OF BEDPLATES - DETAILED MODEL FOR STANDARDS	Clash	-10.41mm	Not Relevant
-------------------------------	--	-------	----------	--------------



Petrov: Position is General

AT882094MQ Vacuum Cable Trays	ATCVHB_0005 M EXTREMITY PAIR OF FEET A4 (C4) - DETAILED MODEL FOR STANDARDS	Clash	-4.96mm	Not Relevant
-------------------------------	---	-------	---------	--------------



Side C
Sector 12

Petrov: Position is General

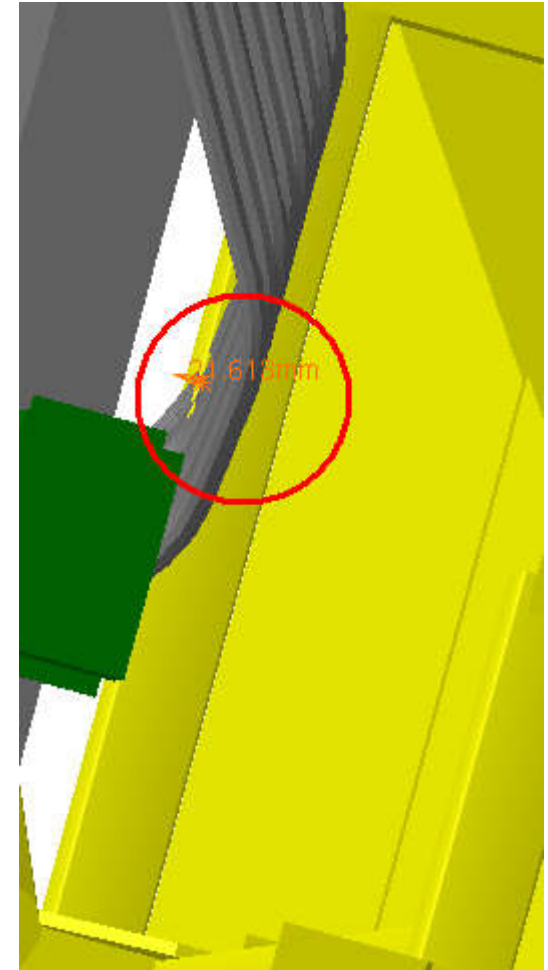
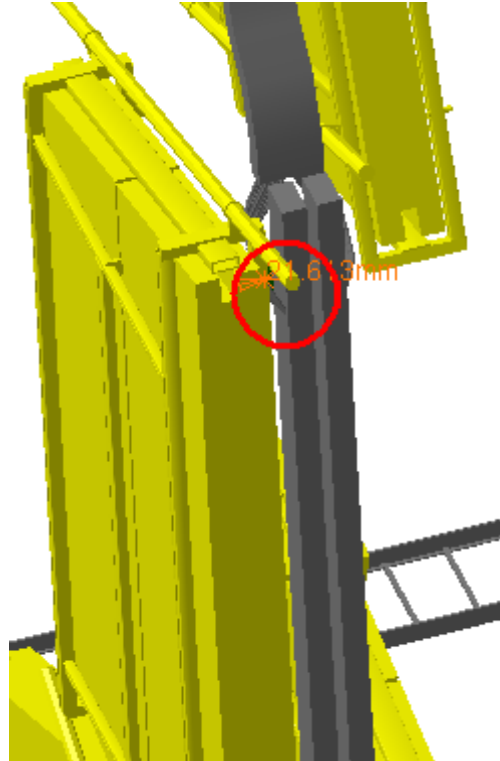
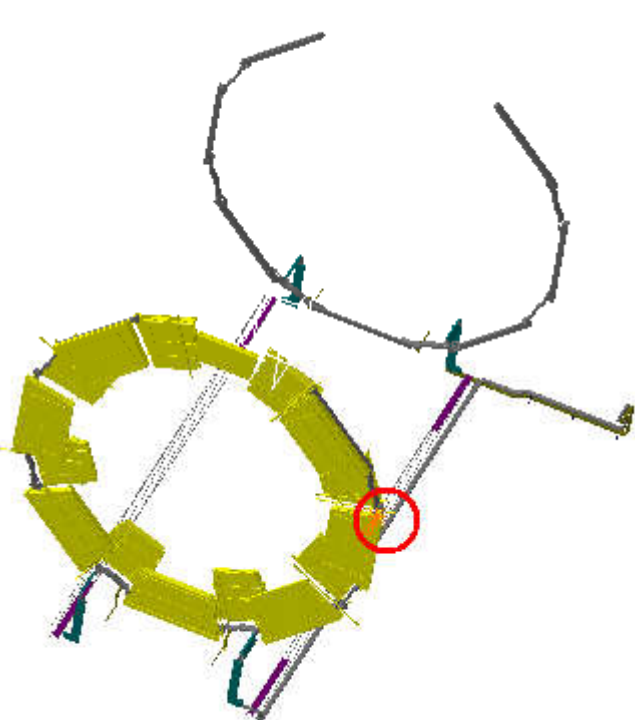
AT882094MQ Vacuum Cable Trays

ATCNMC_0019 MEE CHAMBERS SIDE C - 3D
SIMPLIFIED MODEL

Clash

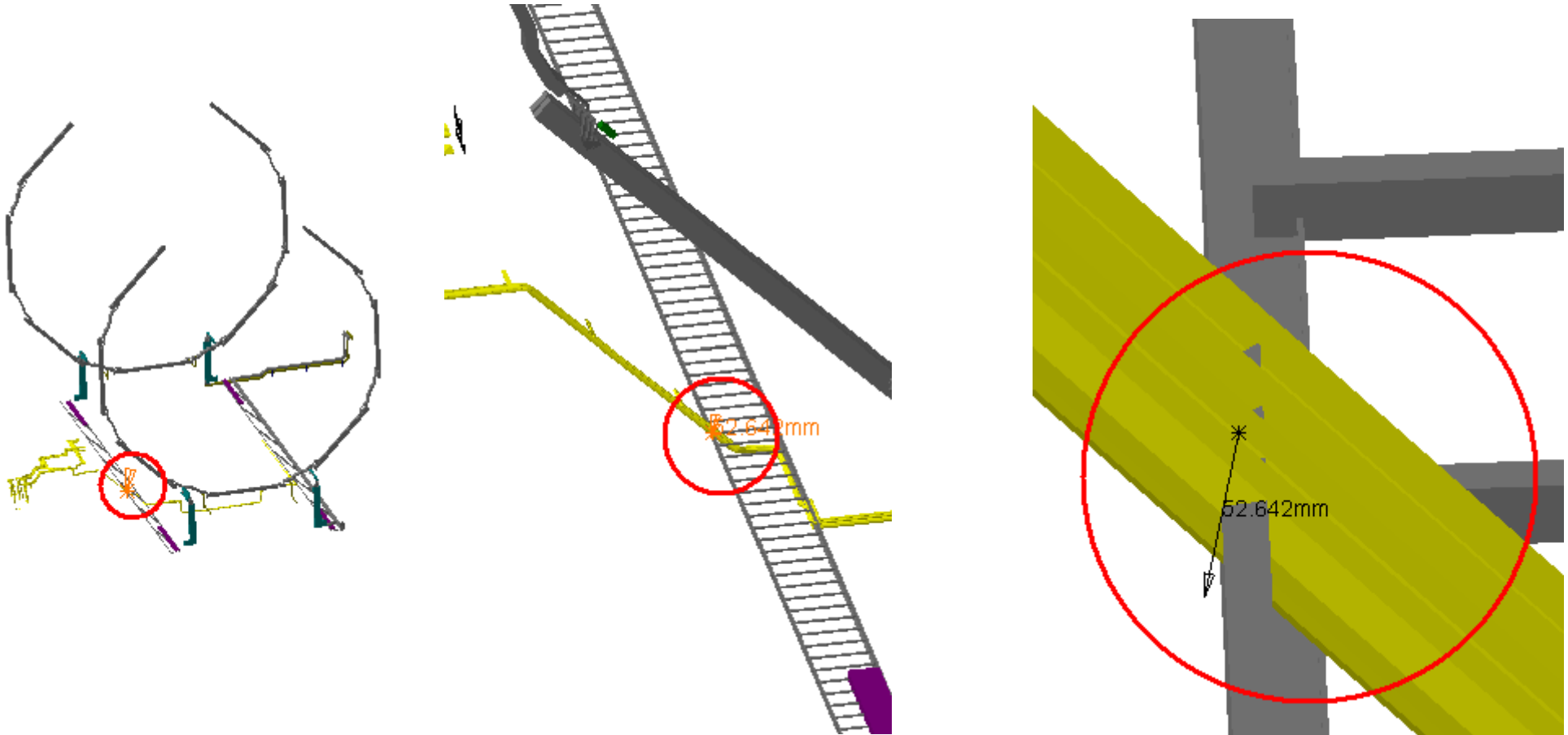
-21.61mm

Not Relevant

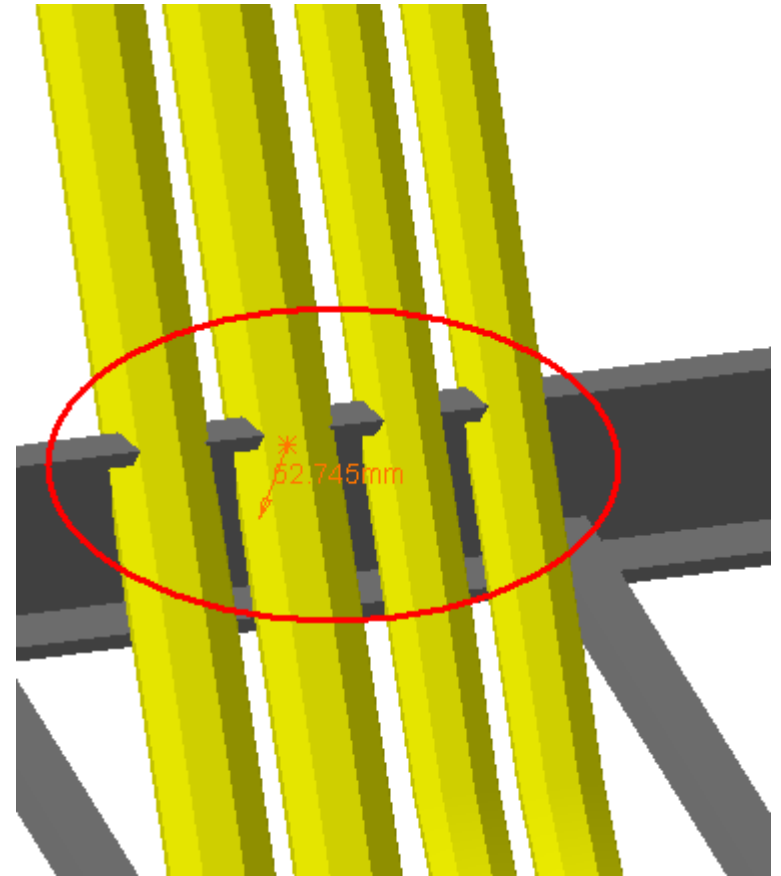
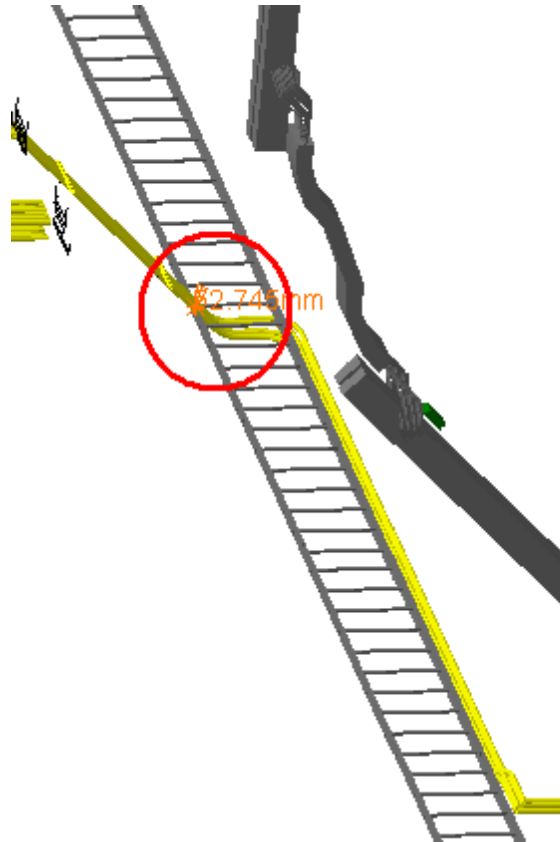
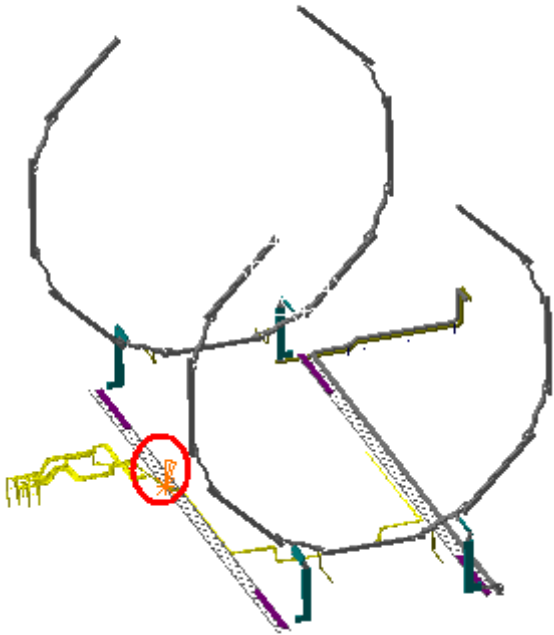


Petrov: Cable is flexible

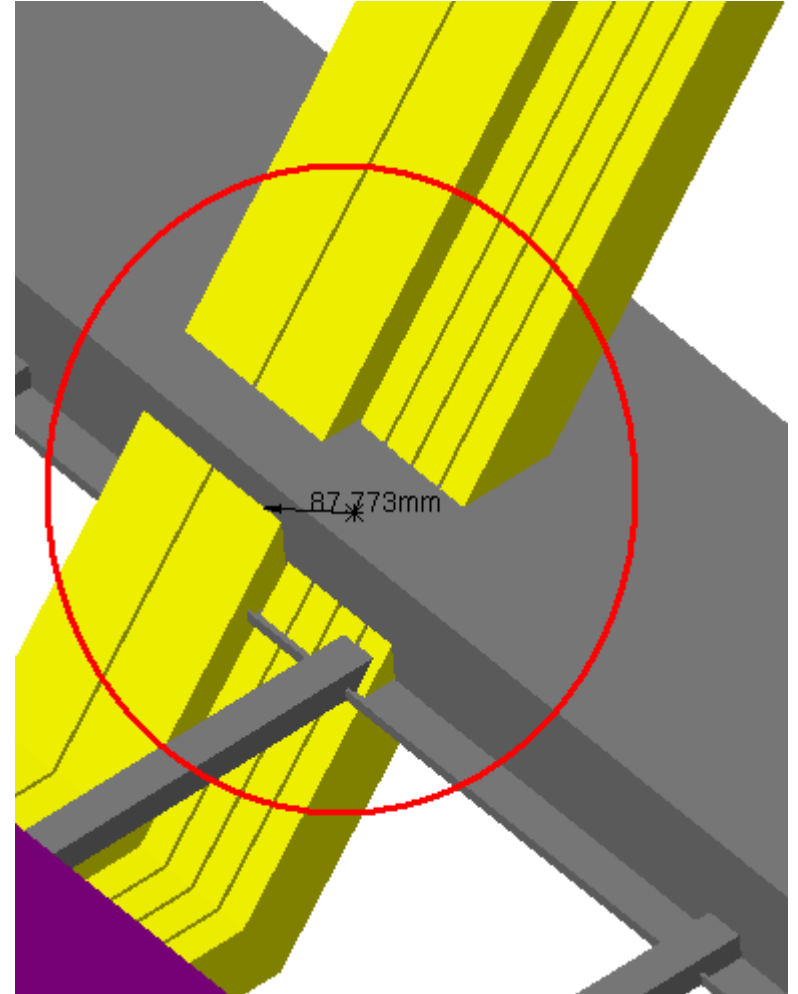
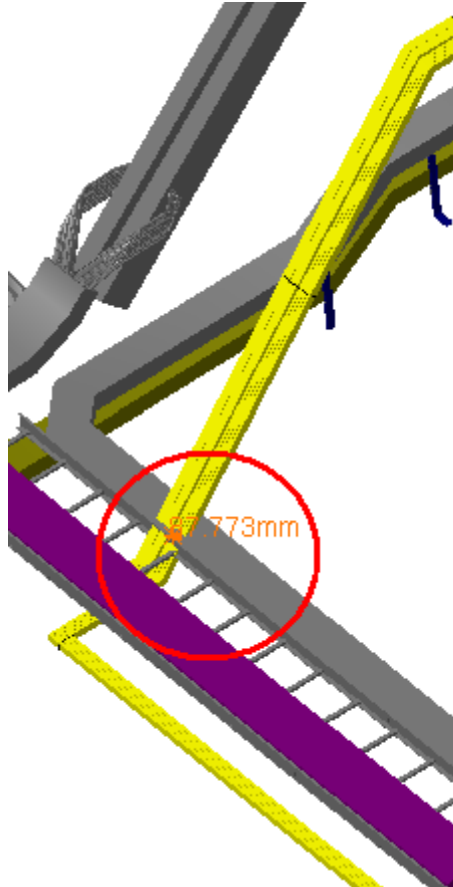
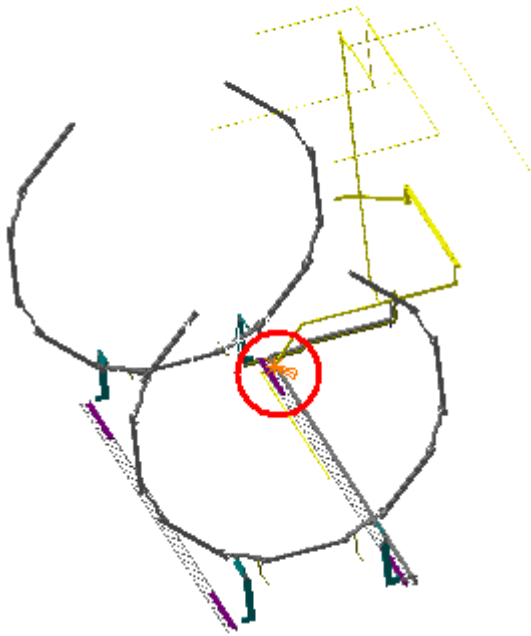
AT882094MQ Vacuum Cable Trays	ATCNSO_0016 UX 15 - TILE CAL. COOLING PIPES - FROM UNIT STATION TO DETECTOR	Clash	-52.64mm	???
-------------------------------	---	-------	----------	-----



AT882094MQ Vacuum Cable Trays	ATCNSO_0017 UX 15 - LIQ. AR COOLING PIPES - FROM UNIT STATION TO DECTETOR	Clash	-52.74mm	???
-------------------------------	--	-------	----------	-----



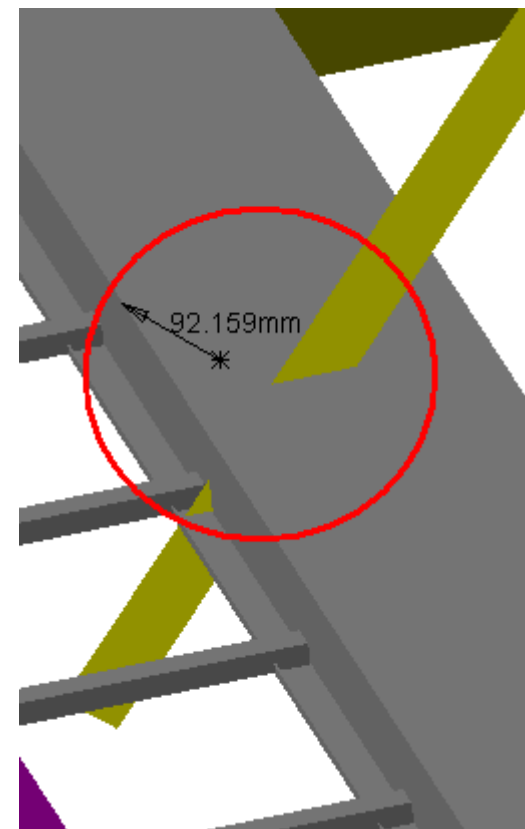
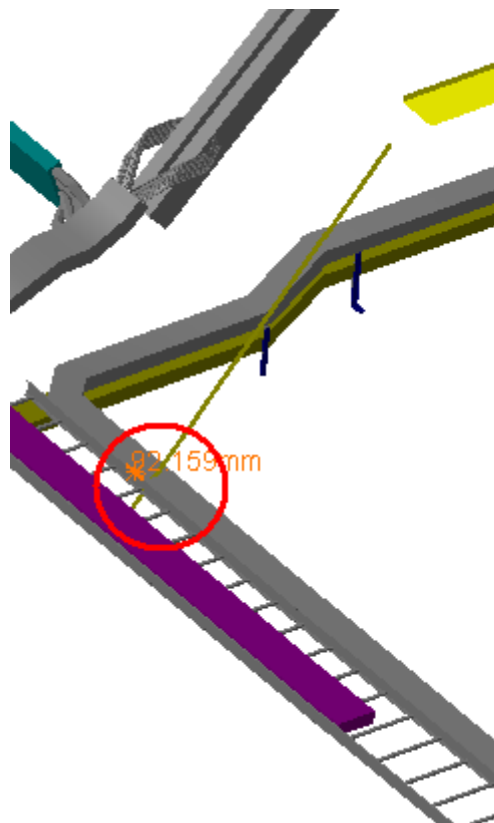
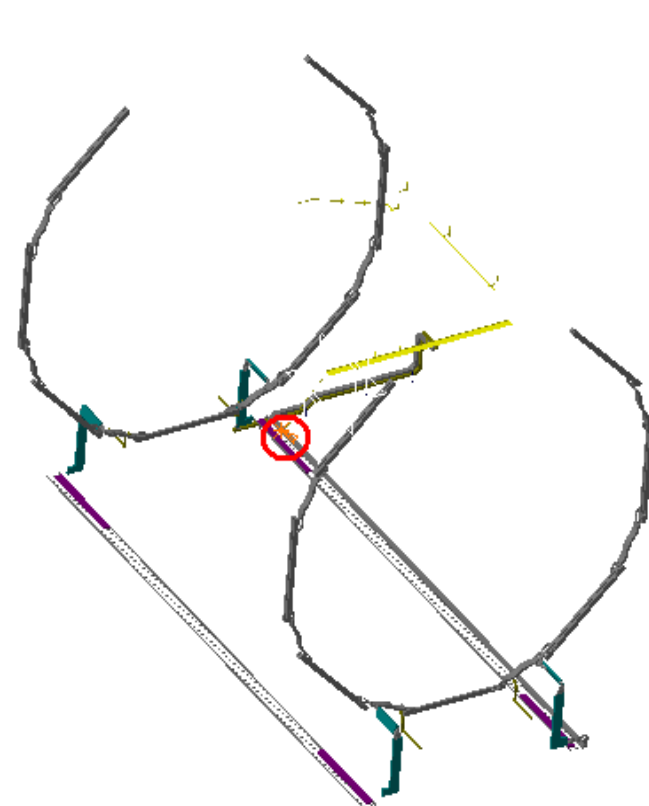
AT882094MQ Vacuum Cable Trays	ATCNSO_0020 UX 15 - VACCUM PUMP COOLING PIPES - ROUTING FROM UNIT STATION	Clash	-87.77mm	???
-------------------------------	---	-------	----------	-----



Side A
Sector 12

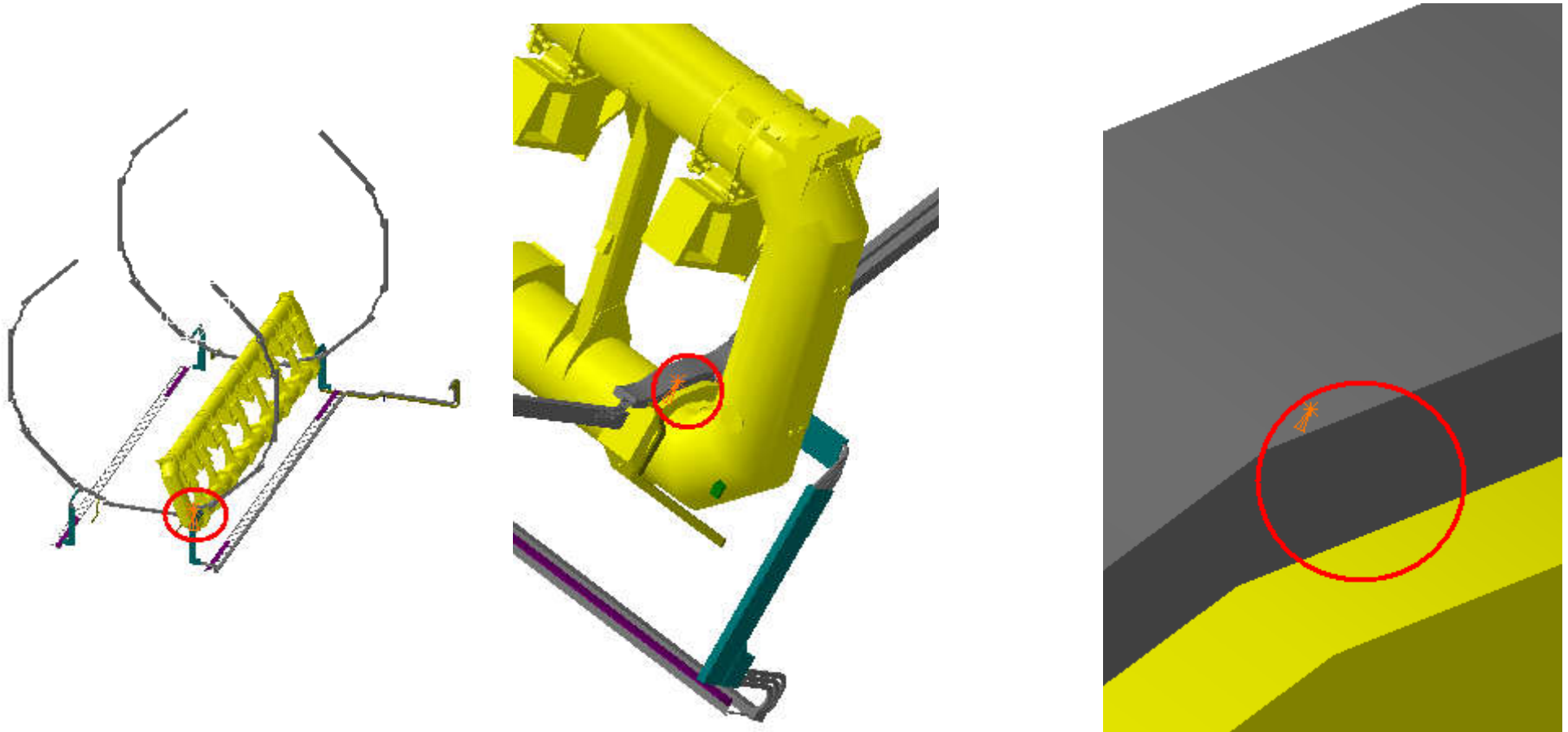
RELEVANT

AT882094MQ Vacuum Cable Trays	ATCNSO_0021 UX15 - VACCUM PUMP COOL. PIPES - SUPPORT FOR PIPES	Clash	-92.16mm	Not inspected
-------------------------------	--	-------	----------	---------------



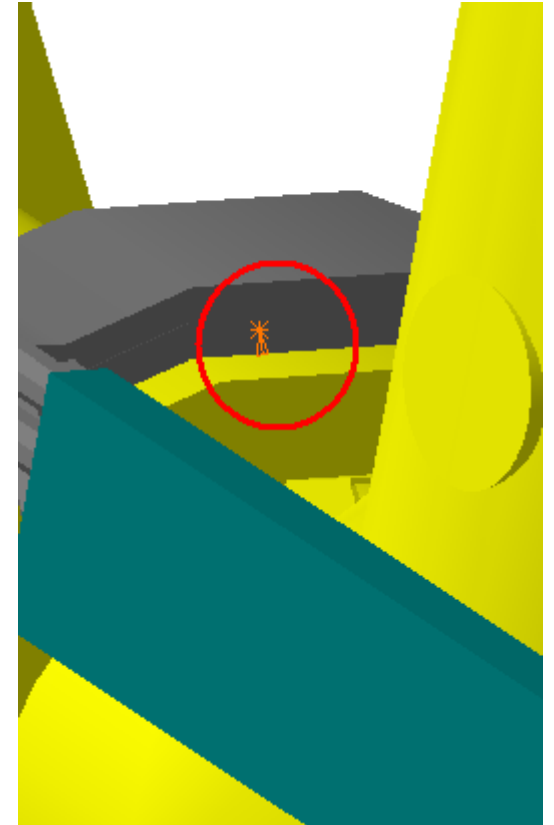
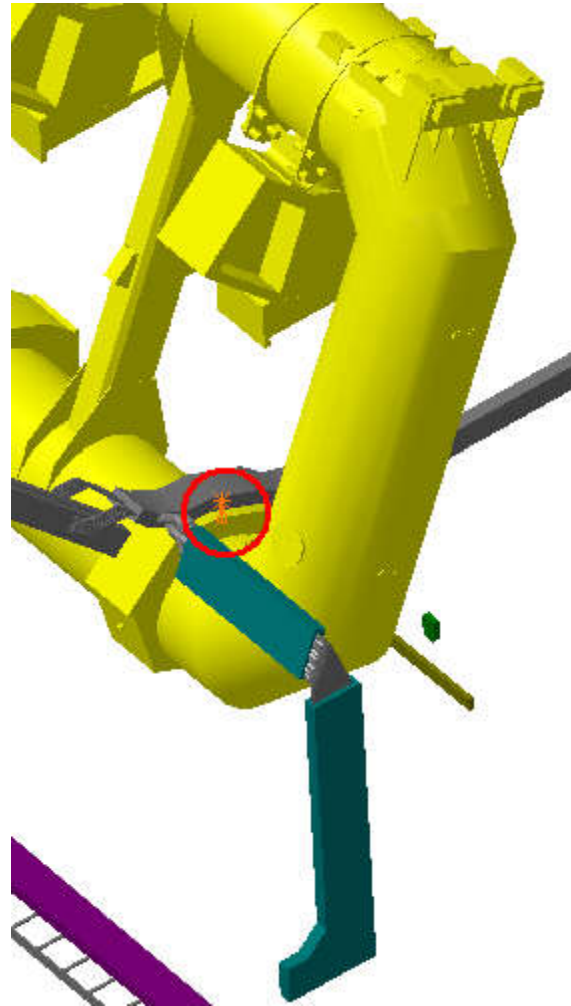
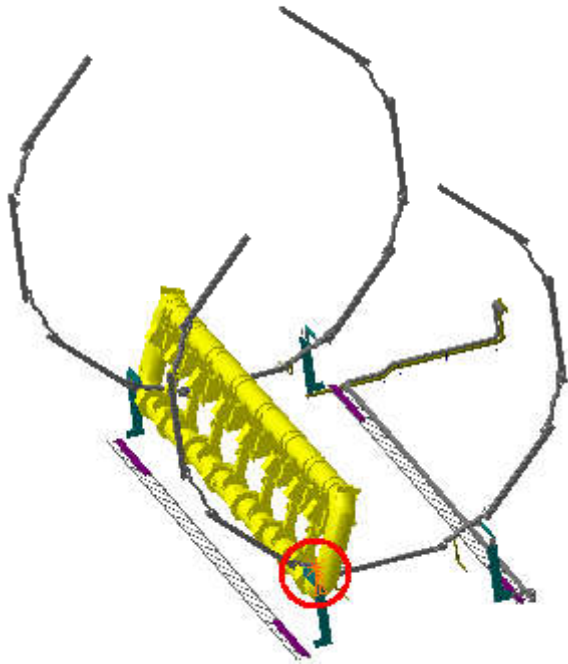
Petrov: Have to modify

AT882094MQ Vacuum Cable Trays	ATCNTB_0002 TB FEET COIL - SECTOR 12	Clash	-0.84mm	Not Relevant
-------------------------------	--------------------------------------	-------	---------	--------------



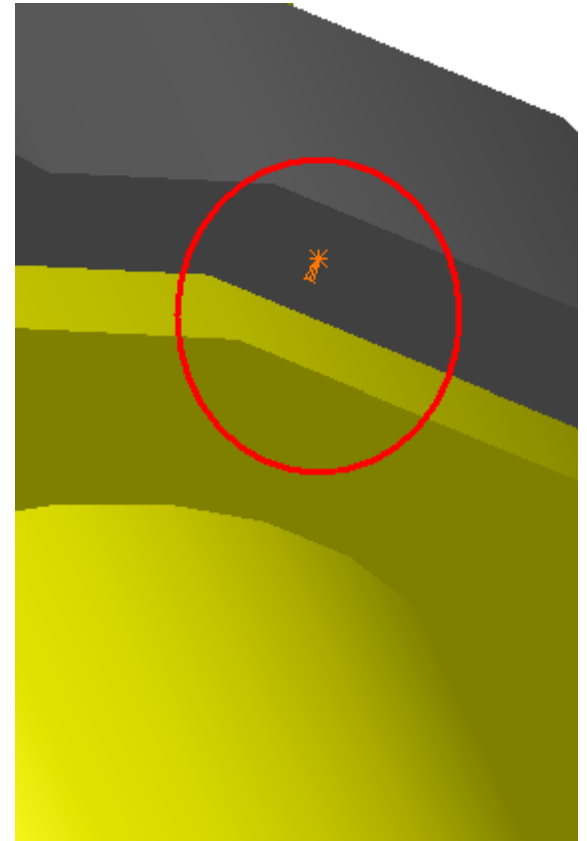
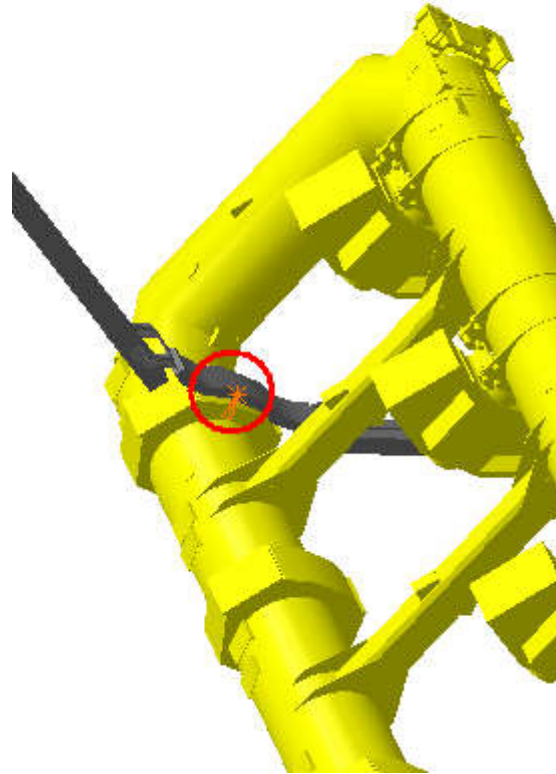
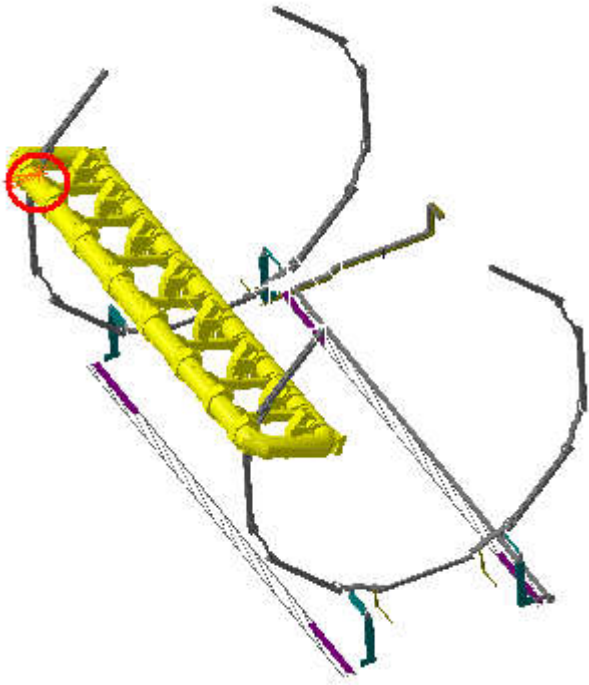
Side C
Sector 12

AT882094MQ Vacuum Cable Trays	ATCNTB_0007 TB FEET COIL - SECTOR 14	Clash	-0.84mm	Not Relevant
-------------------------------	--------------------------------------	-------	---------	--------------



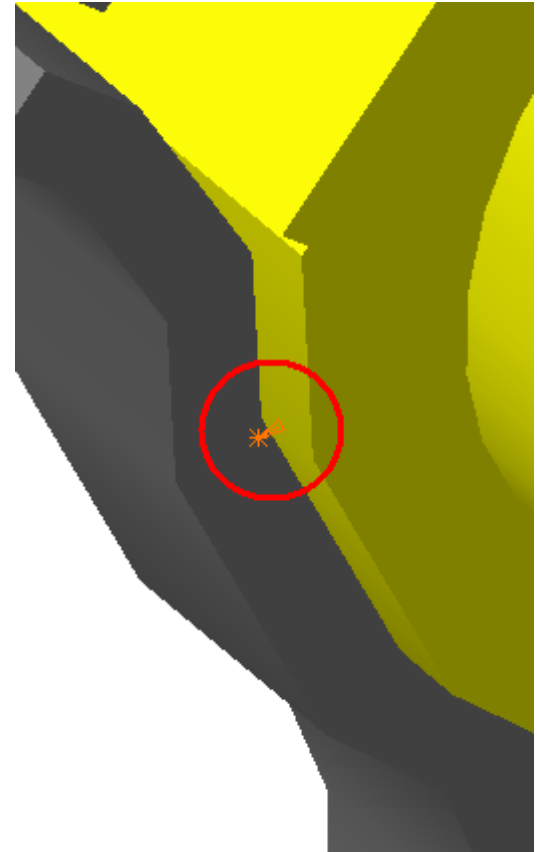
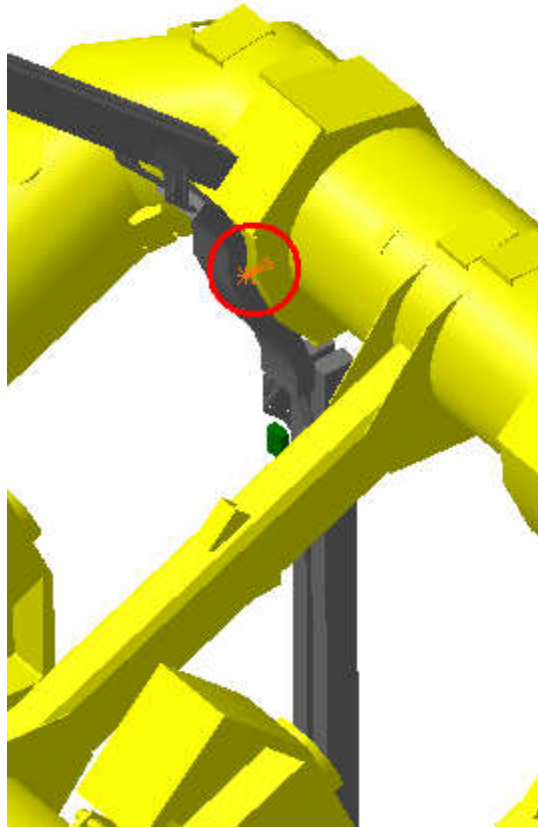
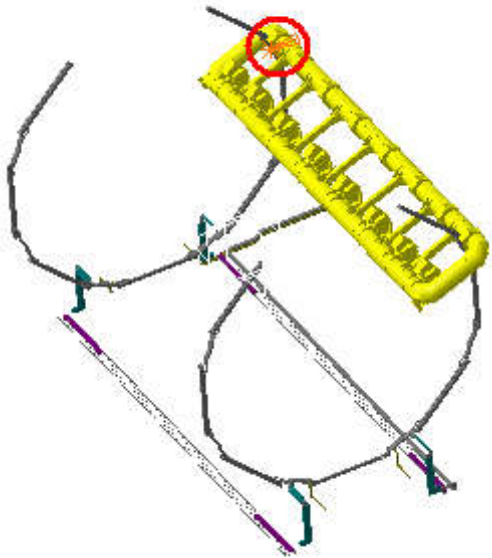
Side C
Sector 14

AT882094MQ Vacuum Cable Trays	ATCNTB_0001 BT2 STANDARD COIL - SECTORS 2	Clash	-0.85mm	Not Relevant
-------------------------------	---	-------	---------	--------------



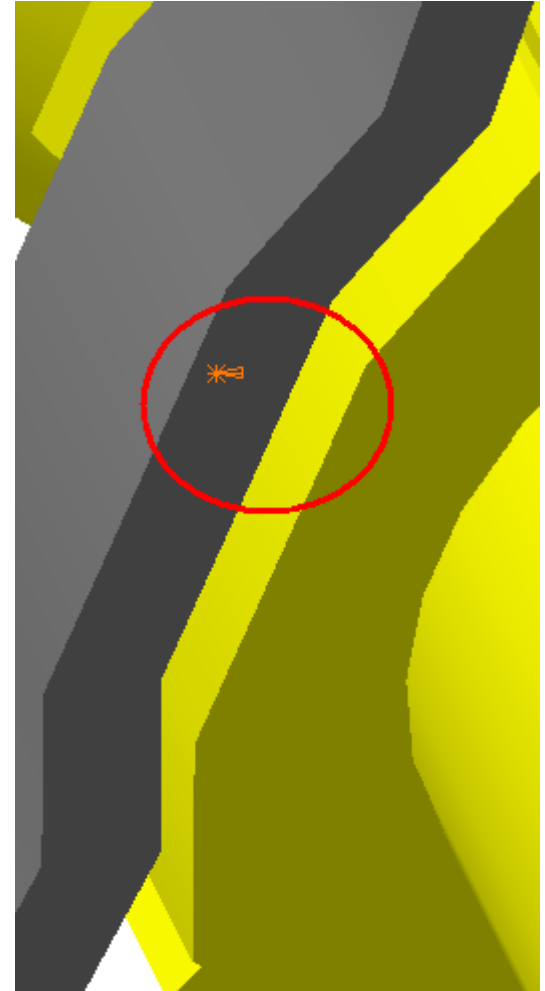
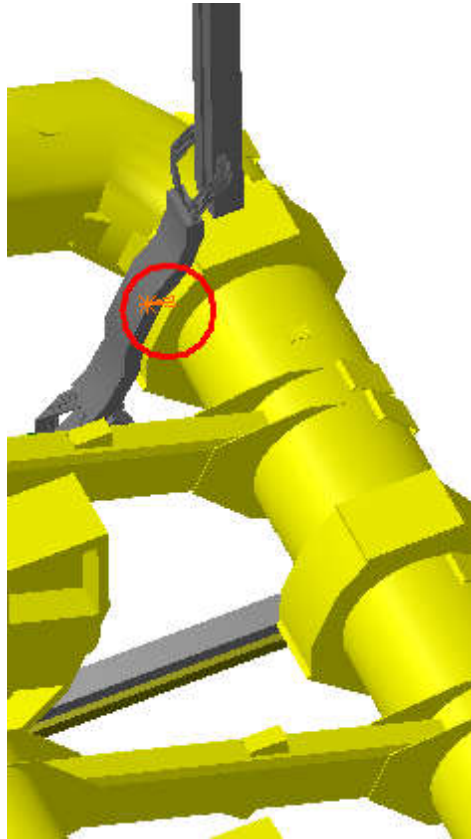
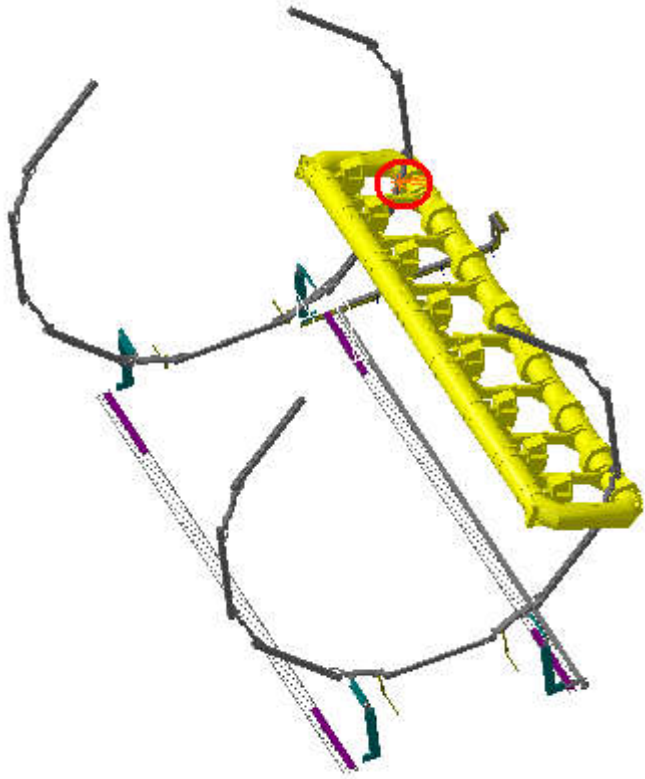
Side A
Sector 2

AT882094MQ Vacuum Cable Trays	ATCNTB_0001 BT8 STANDARD COIL - SECTORS 8	Clash	-0.85mm	Not Relevant
-------------------------------	---	-------	---------	--------------



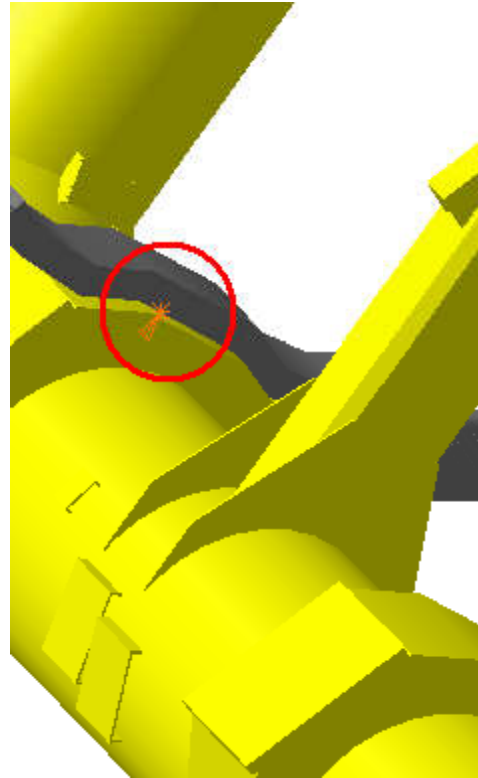
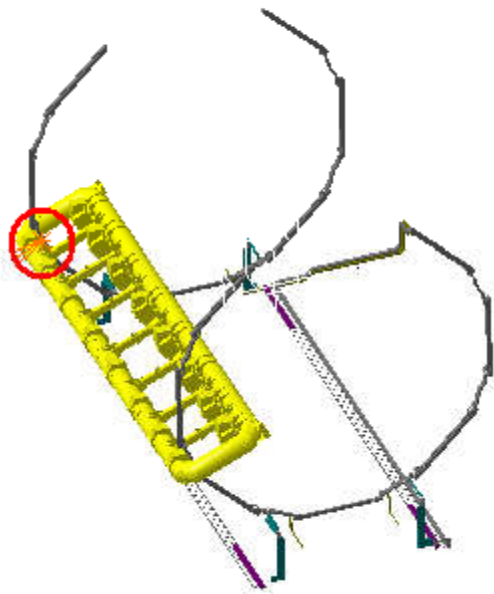
Side A
Sector 8

AT882094MQ Vacuum Cable Trays	ATCNTB_0001 BT10 STANDARD COIL - SECTORS 10	Clash	-0.86mm	Not Relevant
-------------------------------	---	-------	---------	--------------



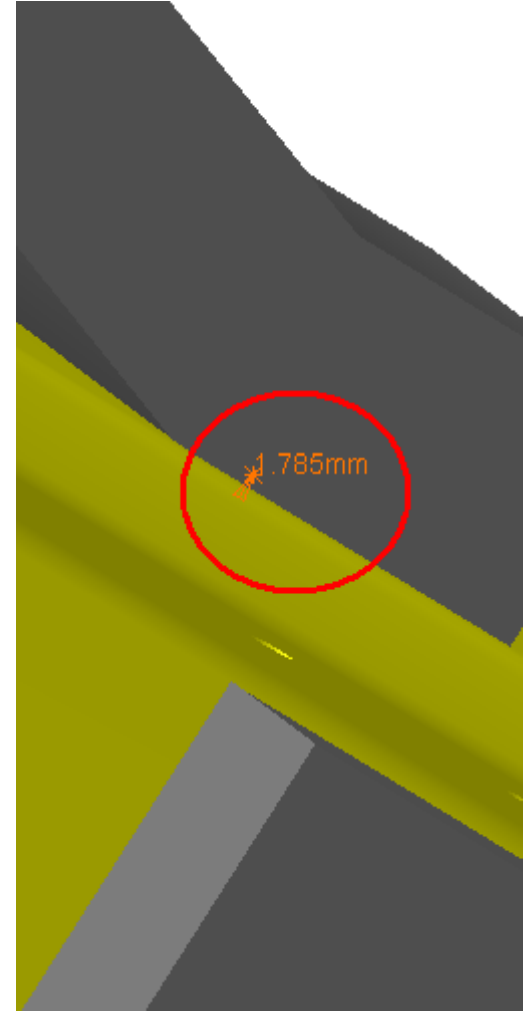
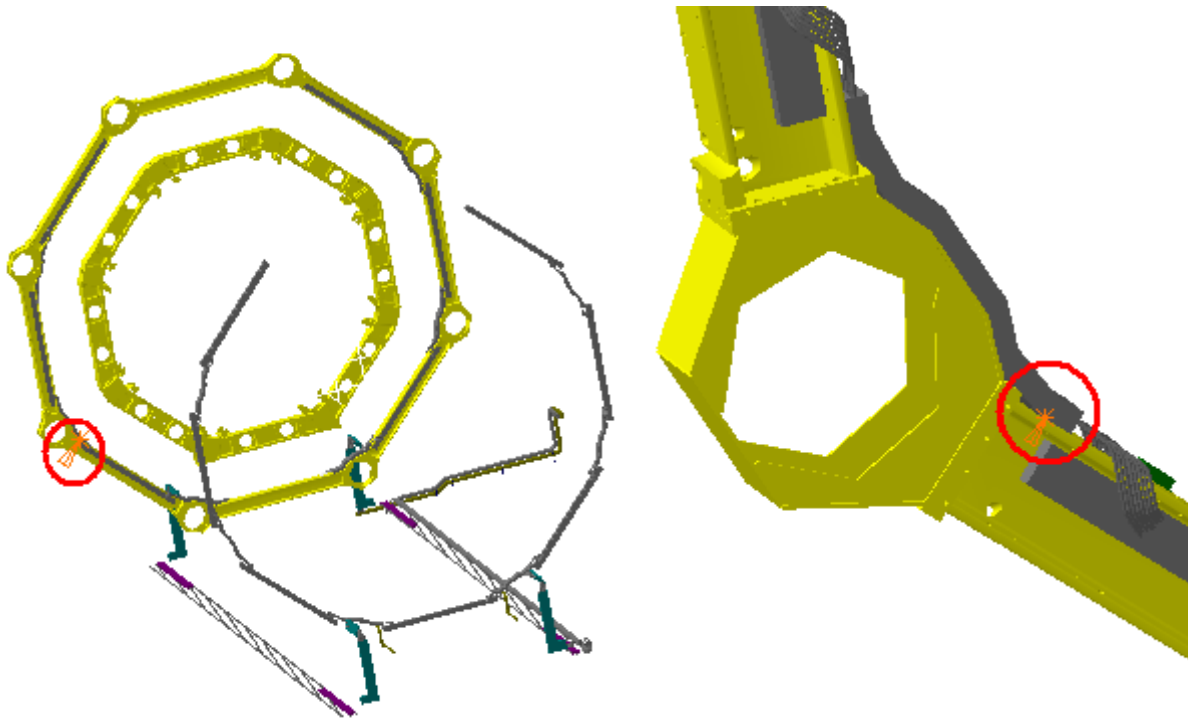
Side A
Sector 10

AT882094MQ Vacuum Cable Trays	ATCNTB_0001 BT16 STANDARD COIL - SECTORS 16	Clash	-0.86mm	Not Relevant
-------------------------------	---	-------	---------	--------------



Side A
Sector 16

AT882094MQ Vacuum Cable Trays	AT812129MQ TWB Structure	Clash	-1.79mm	Not Relevant
-------------------------------	--------------------------	-------	---------	--------------



Side A
Sector 15

AT882094MQ Vacuum Cable Trays	AT812129MQ-M TWB Structure	Clash	-1.79mm	Not Relevant
-------------------------------	----------------------------	-------	---------	--------------

