

# Clash Publish



Clash Computation Specification			
Products Selected			
AT802235MQ A.S. Trays on Sect.9	ATCNFH_0007 HS METALLIC STRUCTURE - SIDE USA15 - LOWER PART	-293	Warning
	ATCNSE_0011 SUPPORT-STRUCTURE - FOR FLEXIBLE CHAINS IN SECTOR 9	-69.47	Not Relevant
	ATCNSR_0009 CABLE TRAYS IN UX 15 CAVERN - SIDE USA 15	-60.06	Relevant

Revised with Peter/Archil 16/11/2005

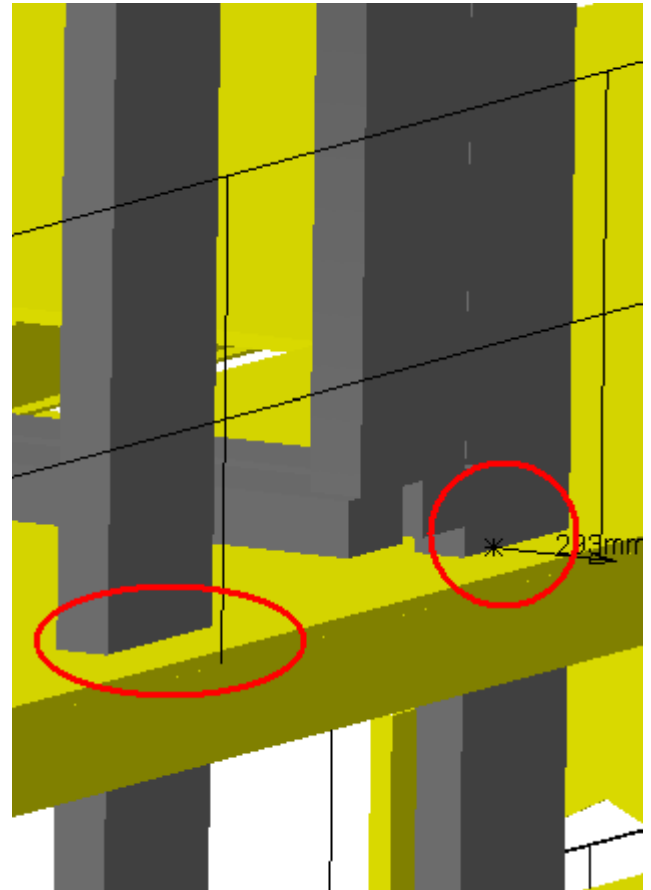
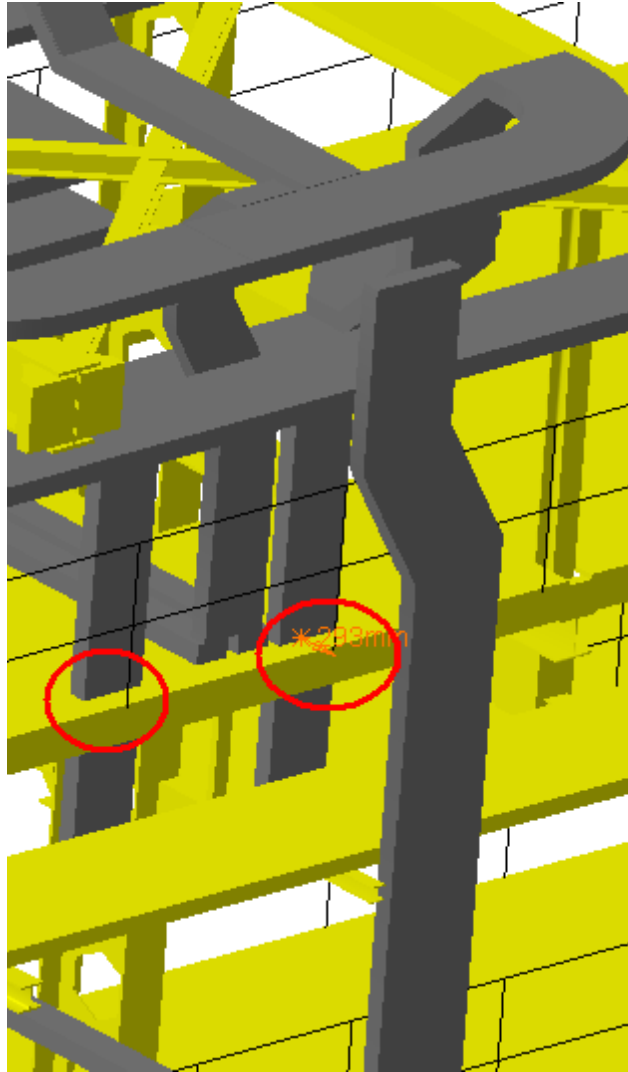
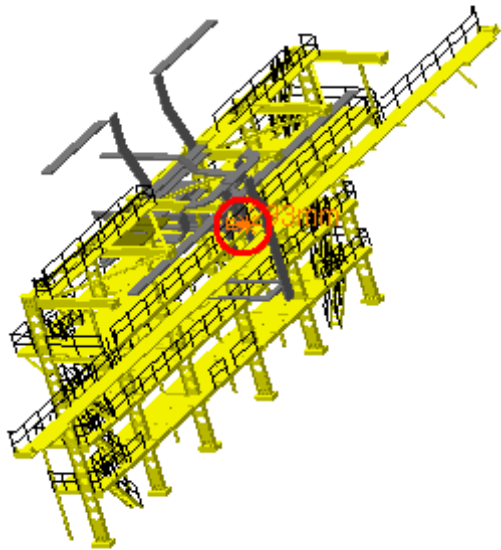
AT802235MQ A.S. Trays on Sect.9

ATCNFH\_0007 HS METALLIC STRUCTURE - SIDE USA15 - LOWER PART

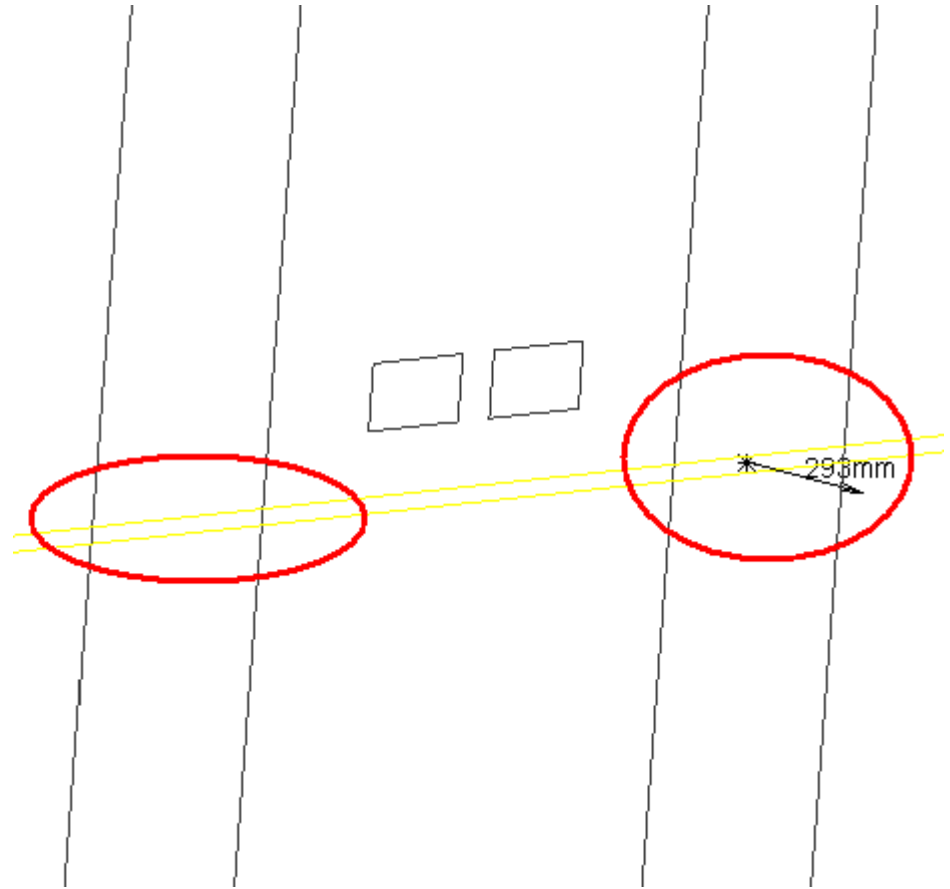
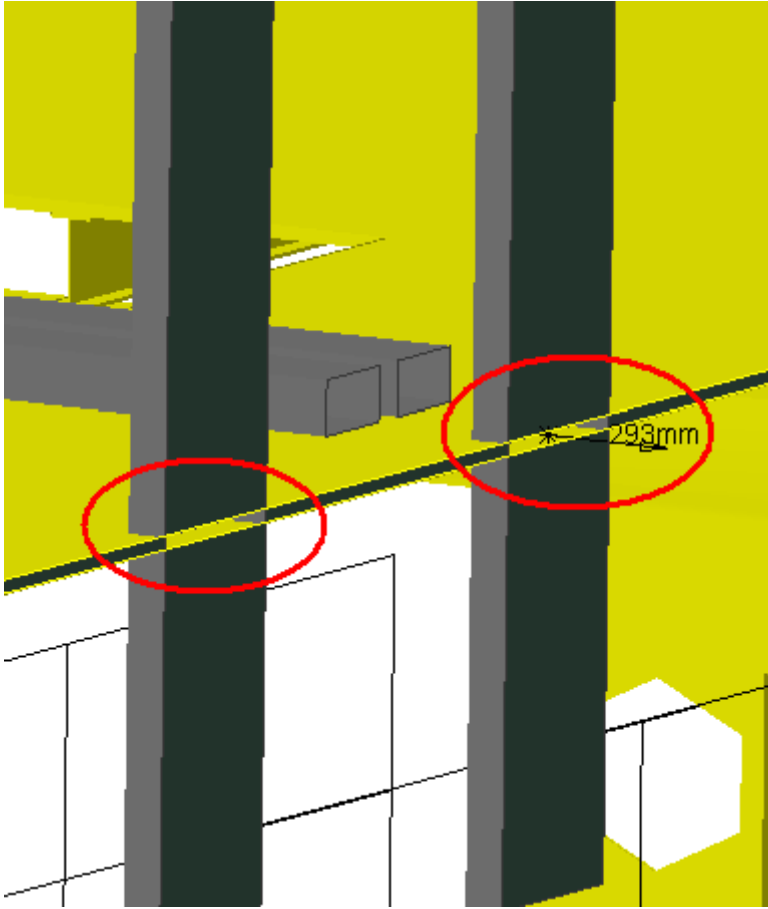
Clash

-293mm

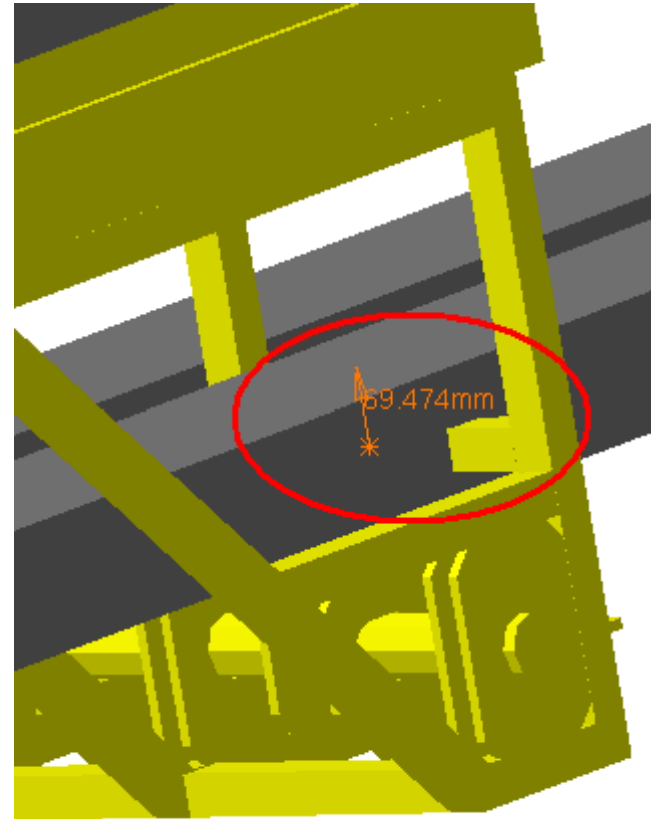
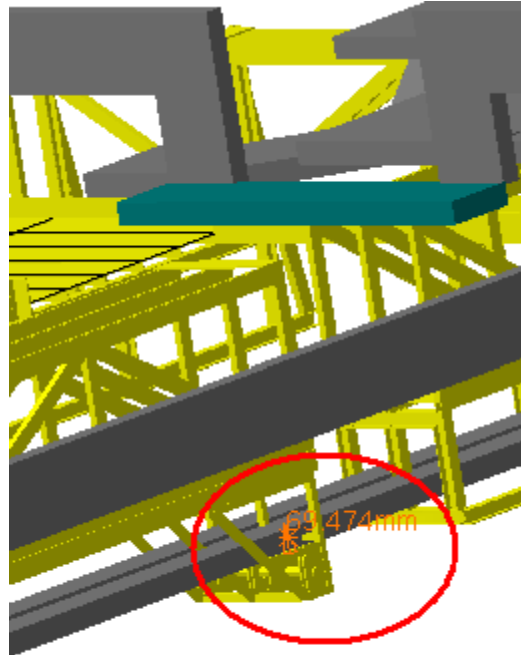
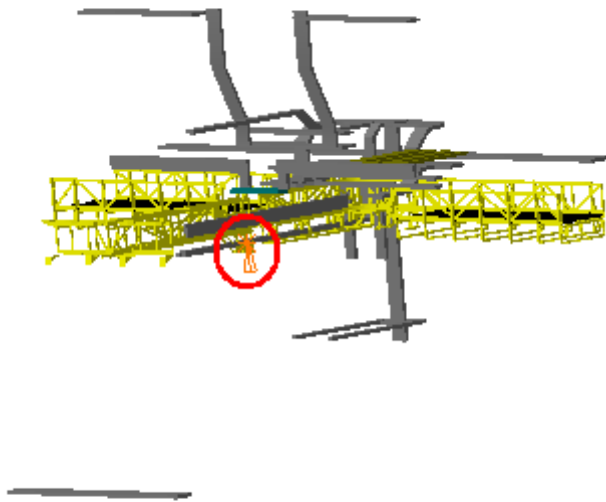
Warning



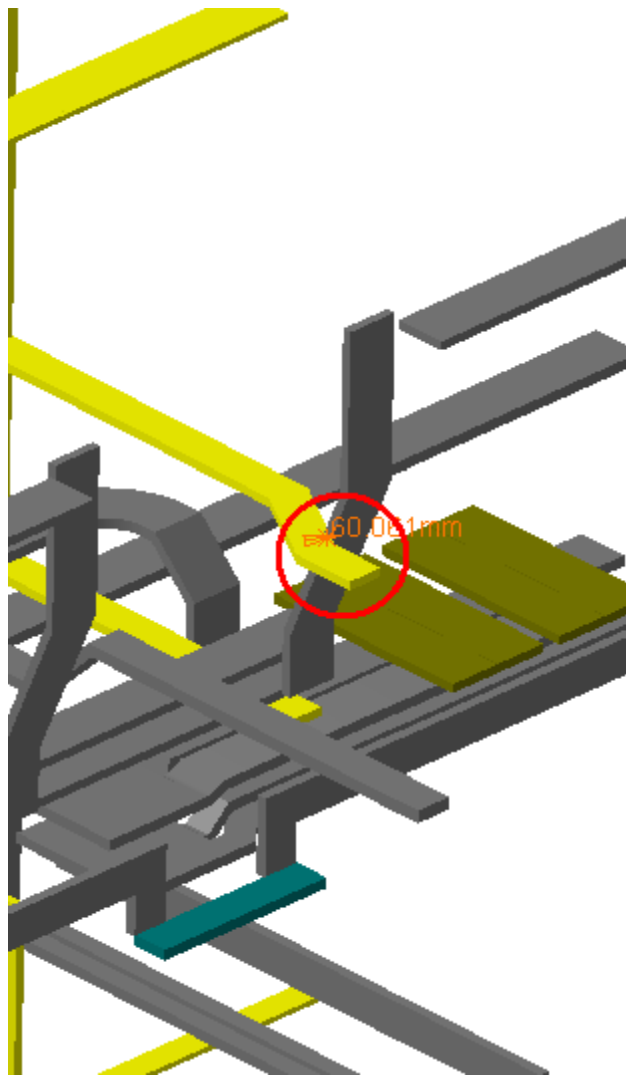
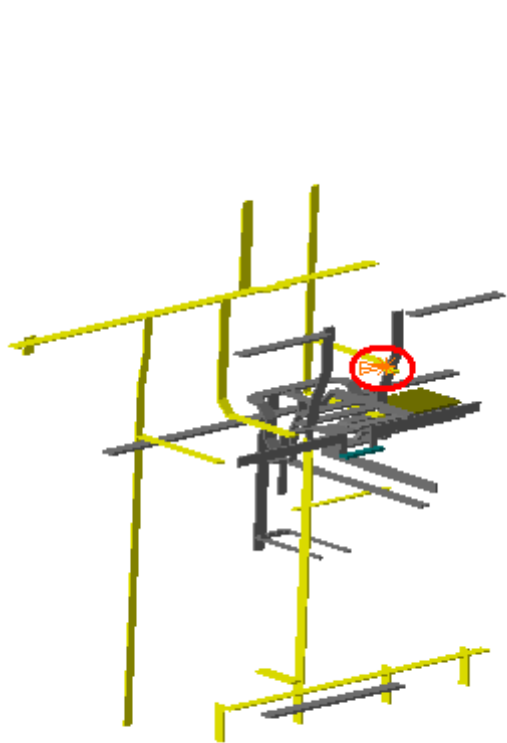
# Clash View 1:



AT802235MQ A.S. Trays on Sect.9	ATCNSE_0011 SUPPORT-STRUCTURE - FOR FLEXIBLE CHAINS IN SECTOR 9	Clash	-69.47mm	Not Relevant
---------------------------------	--	-------	----------	--------------



AT802235MQ A.S. Trays on Sect.9	ATCNSE_0011 SUPPORT-STRUCTURE - FOR FLEXIBLE CHAINS IN SECTOR 9	Clash	-60.06mm	Relevant
---------------------------------	---	-------	----------	----------



# Clash View 1:

