

Clearance Publish

Clearance = 50mm



Clearance Computation Specification			
Products Selected		Value	Status
AT802215MQ - A.S. TRIG. CAB. TRAYS & SUPPORTS SECT.9	AT602160MQ - MUON BARREL CHAMBERS DETAILED, SECTOR 9	37.1 mm	SOLVED !!!

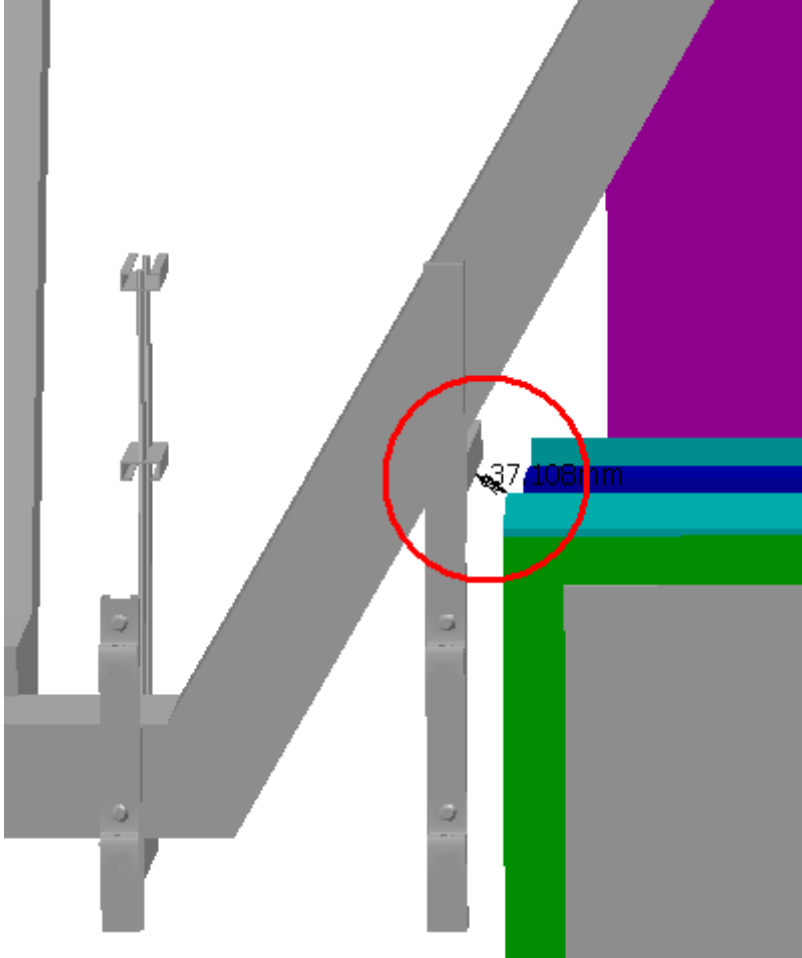
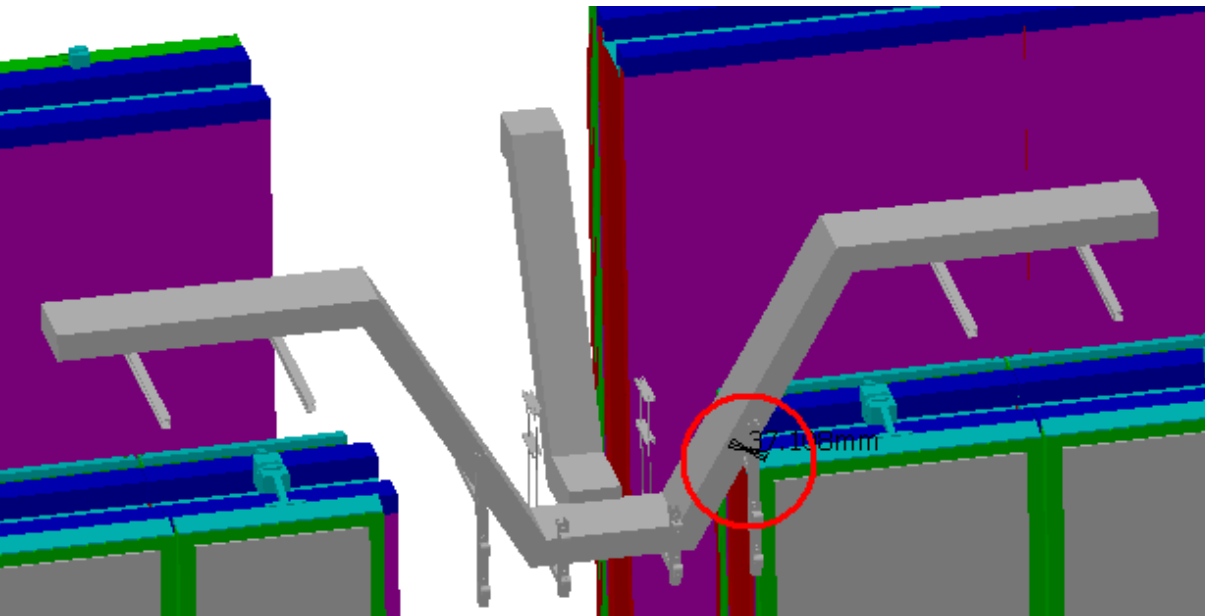
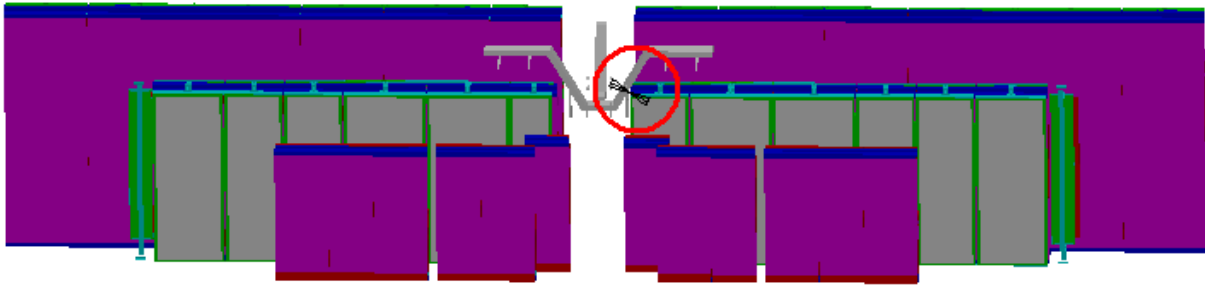
Revised with Archil/Peter 18/11/2005

RELEVANT

AT802215MQ - A.S. TRIG. CAB. TRAYS & SUPPORTS SECT.9

AT602160MQ - MUON BARREL CHAMBERS DETAILED, SECTOR 9

Clearance	37.1 mm			Relevant
	$\Delta X \approx 0$	$\Delta Y \approx -17.5$	$\Delta Z \approx 32.7$	



SIDE C

Sector 8