

Clearance Publish

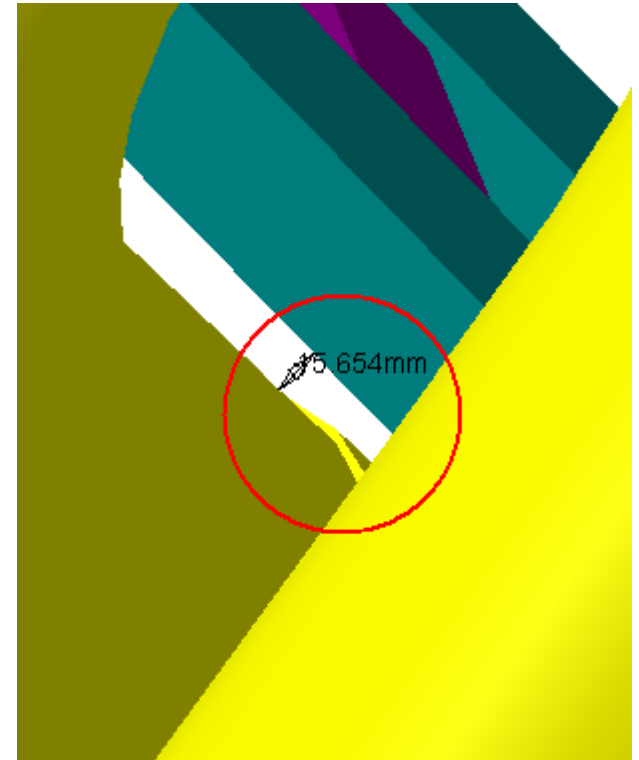
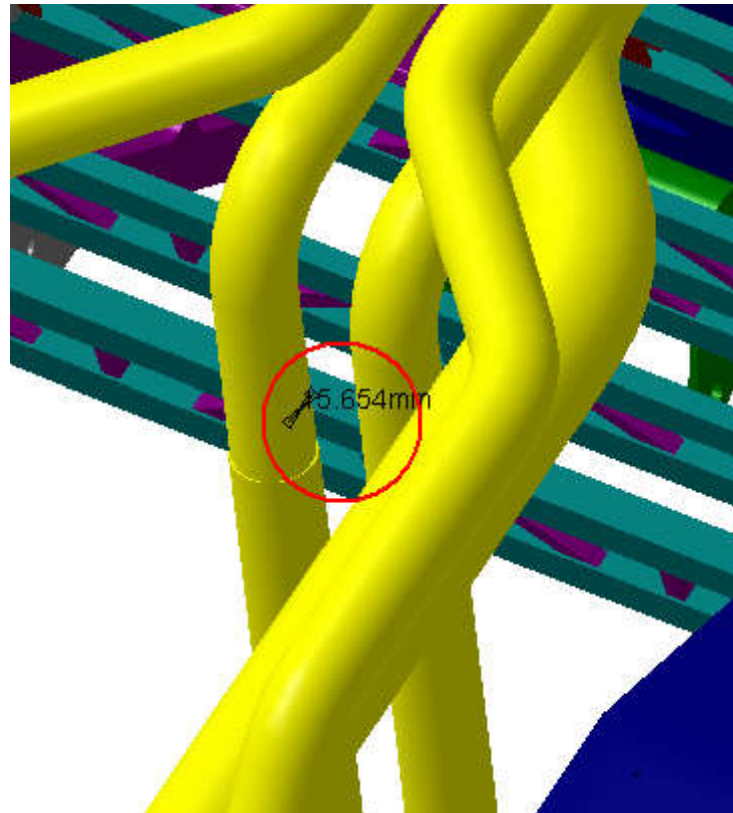
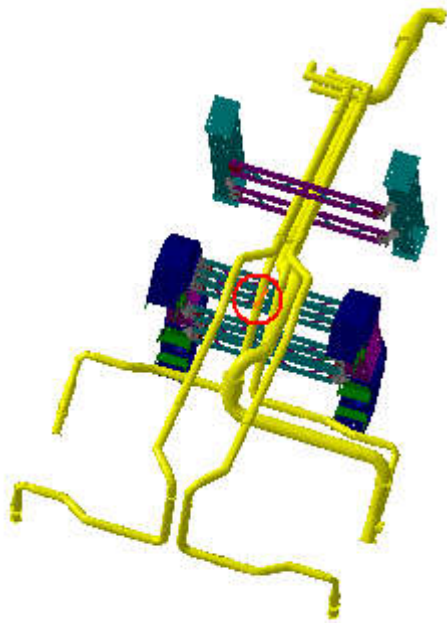
Clearance=50mm



Clearance Computation Specification			
Products Selected			
AT802101MQ Struct & Voussoir Brackets Sect 7	ATCNSB_0002 BARREL CALORIMETER CRYOGENIC LINES - SIMPLIFIED 3D OBJECTS	15.65	Not inspected
	ATCNSB_0009 BARREL LAR TOP FT VACUUM LINES - SIMPLIFIED 3D OBJECT	27.81	Not inspected
	ATCNSE_0001 FLEXIBLE SAFETY PIPE FOR - LAR END-CAP CALORIMETER UNDER CONSTRUCTION	-----	Not inspected
	ATCNSR_0007 TB CABLE SERVICE - CABLE TRAYS	10.99	
	ATCVTB_0005 RING C1 SECTOR 09 - TB WARM STRUCTURE	17.04	Not inspected
	ATCVTB_0037 RING A1 SECTOR 09 - TB WARM STRUCTURE	17.05	Not inspected
	AT602160MQ MCB Muon Barrel Chambers Detailed Sec 9		Not inspected

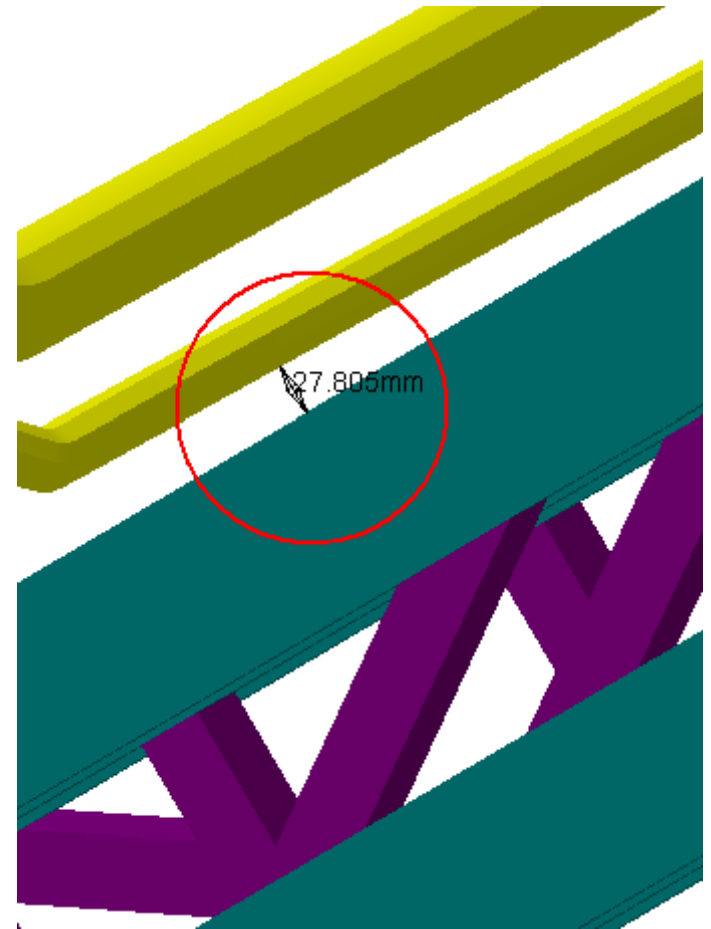
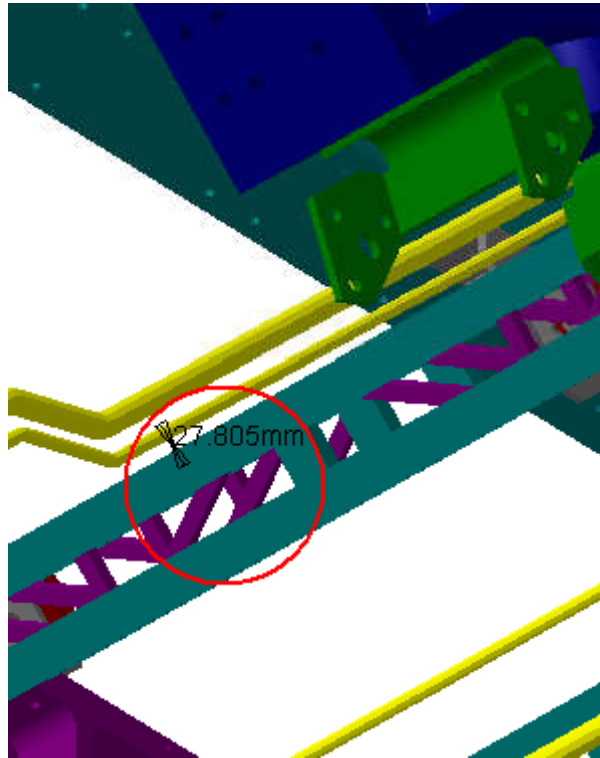
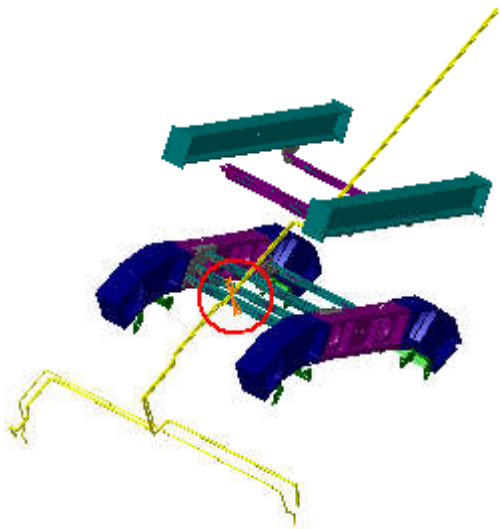
Computation Result:

AT802101MQ Struct & Voussoir Brackets Sect 7	ATCNSB_0002 BARREL CALORIMETER CRYOGENIC LINES - SIMPLIFIED 3D OBJECTS	Vector coordinate $\Delta X \approx 15.27\text{mm}$ $\Delta Y \approx 3.44\text{mm}$ $\Delta Z \approx -0.04\text{mm}$	15.65mm	Not inspected
---	--	---	---------	---------------



Side A
Sector 7

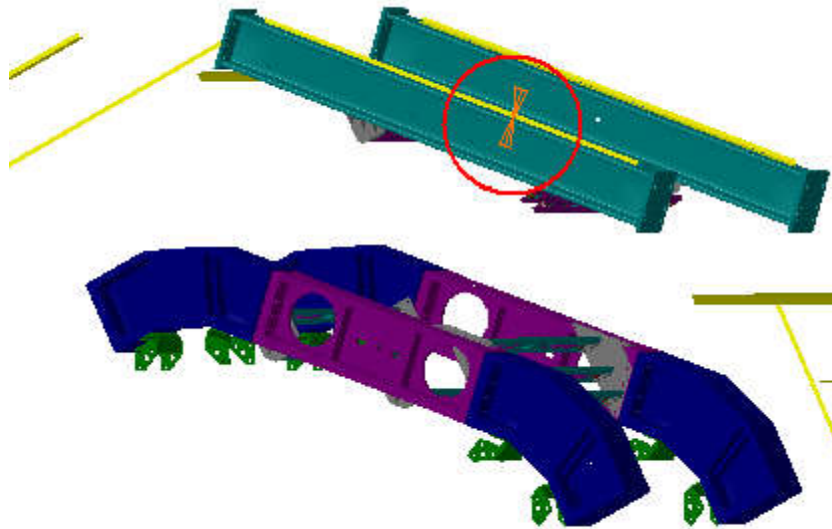
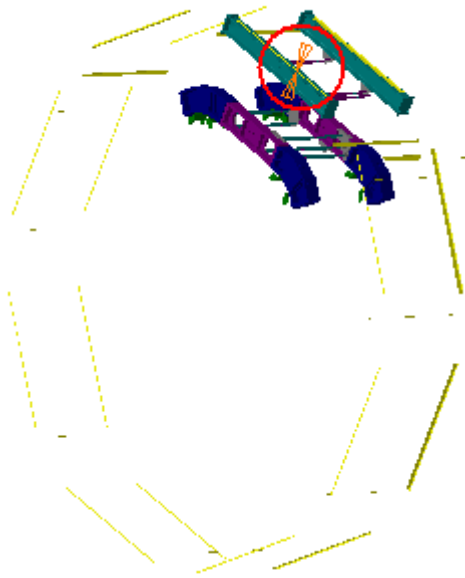
AT802101MQ Struct & Voussoir Brackets Sect 7	ATCNSB_0009 BARREL LAR TOP FT VACUUM LINES - SIMPLIFIED 3D OBJECT	Vector coordinate $\Delta X \approx 0\text{mm}$ $\Delta Y \approx 27.8\text{mm}$ $\Delta Z \approx -0.34\text{mm}$	27.81mm	Not inspected
---	---	---	---------	---------------



Side A

Sector 7

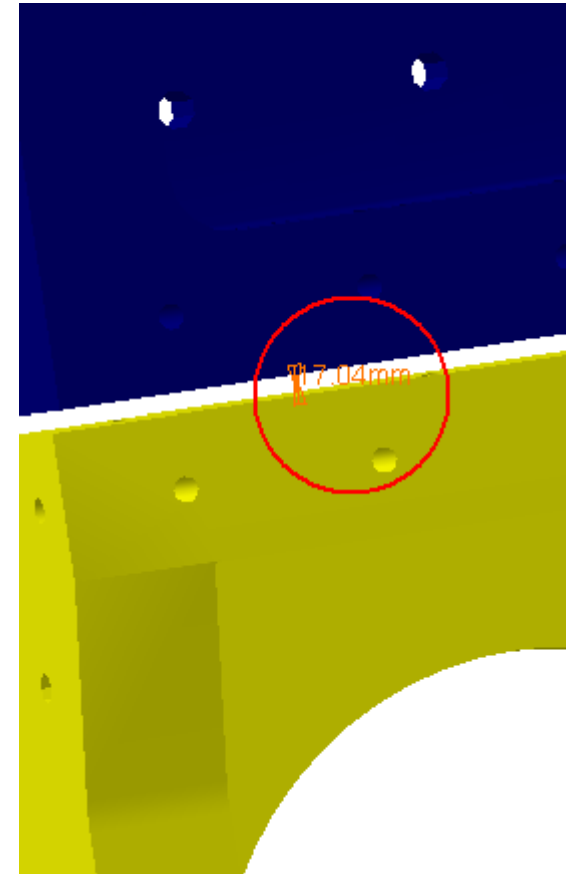
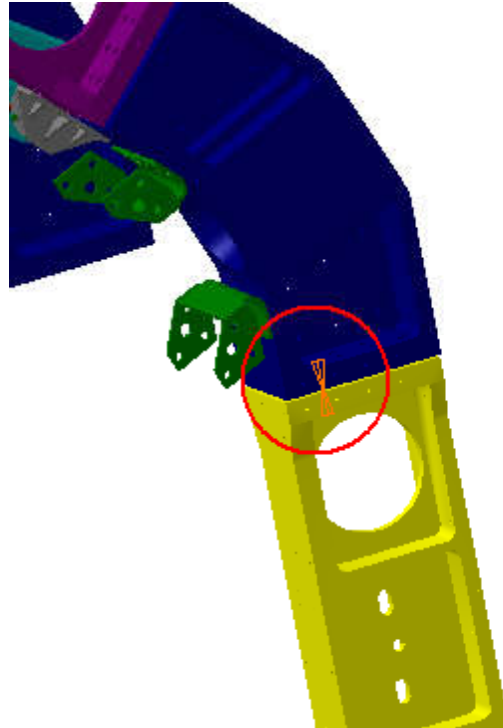
AT802101MQ Struct & Voussoir Brackets Sect 7	ATCNSR_0007 TB CABLE SERVICE - CABLE TRAYS	Vector coordinate $\Delta X \approx -7.77\text{mm}$ $\Delta Y \approx 7.77\text{mm}$ $\Delta Z \approx -0.1\text{mm}$	10.99mm	Not inspected
---	---	--	---------	---------------



Side A

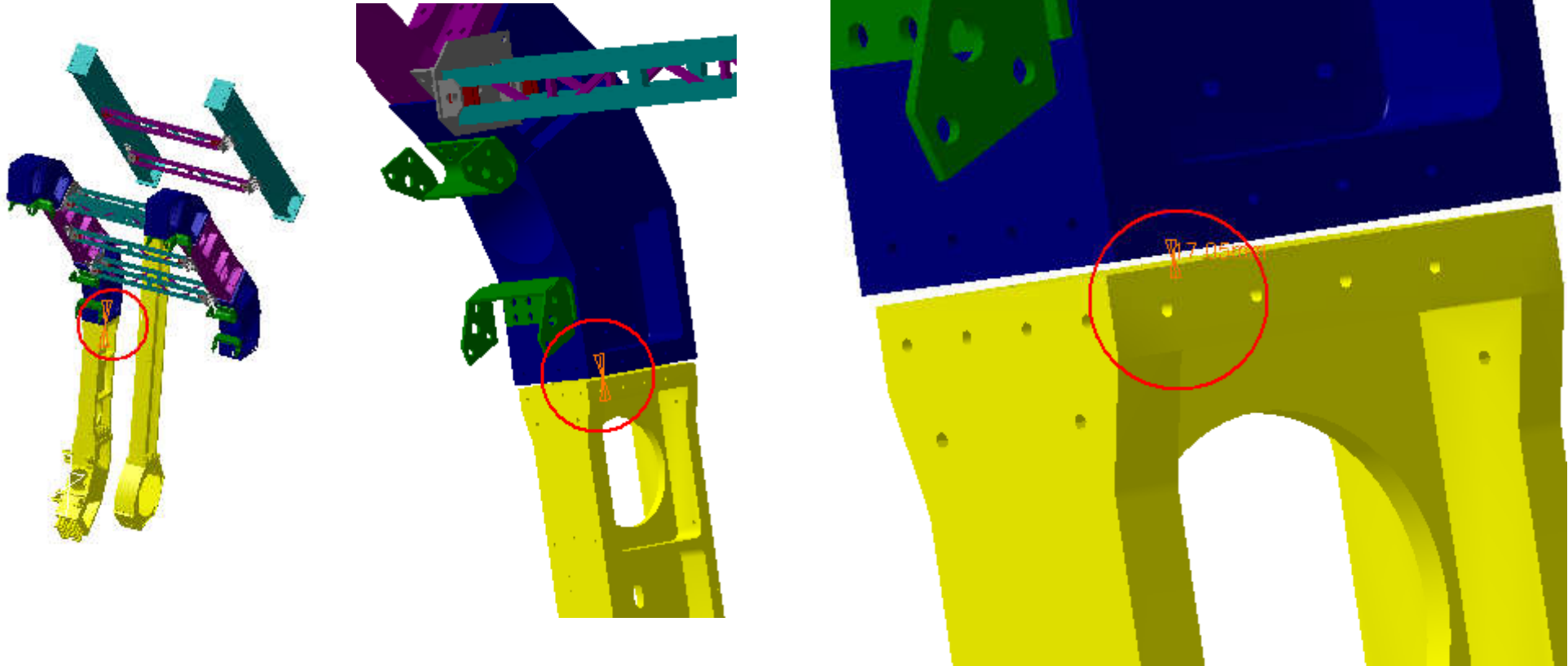
Sector 7

AT802101MQ Struct & Voussoir Brackets Sect 7	ATCVTB_0005 RING C1 SECTOR 09 - TB WARM STRUCTURE	Vector coordinate $\Delta X \approx 0\text{mm}$ $\Delta Y \approx -17.04\text{mm}$ $\Delta Z \approx 0.21\text{mm}$	17.04mm	Not inspected
---	--	--	---------	---------------



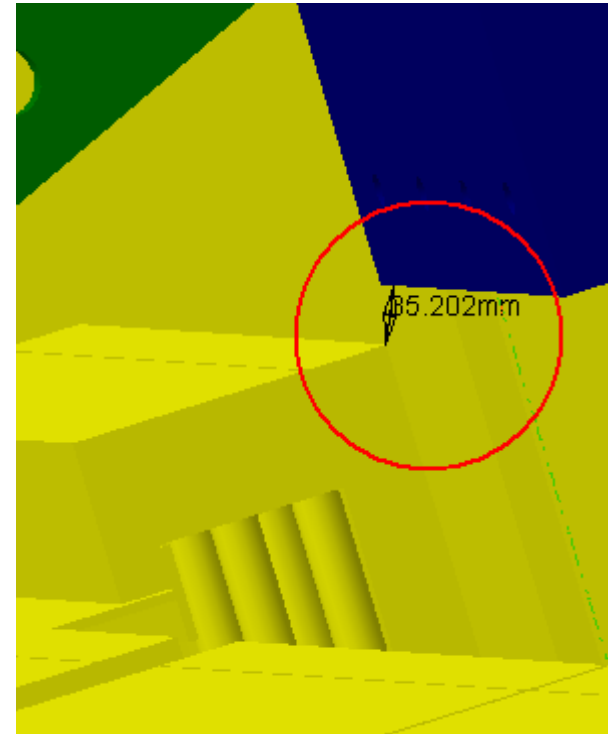
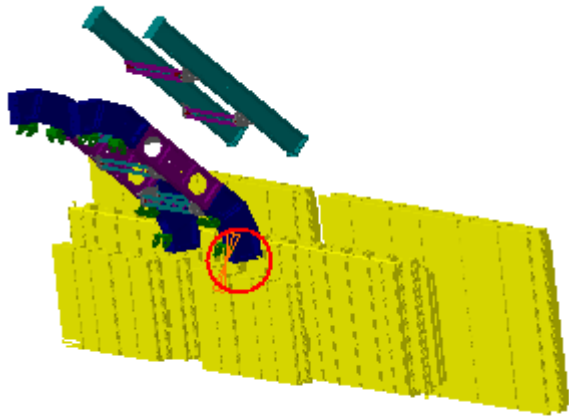
Side C
Sector 9

AT802101MQ Struct & Voussoir Brackets Sect 7	ATCVTB_0037 RING A1 SECTOR 09 - TB WARM STRUCTURE	Vector coordinate $\Delta X \approx 0\text{mm}$ $\Delta Y \approx -17.05\text{mm}$ $\Delta Z \approx 0.21\text{mm}$	17.05mm	Not inspected
---	--	--	---------	---------------



Side A
Sector 9

AT802101MQ Struct & Voussoir Brackets Sect 7	AT602160MQ MCB Muon Barrel Chambers Detailed Sec 9	Vector coordinate $\Delta X \approx 14.56\text{mm}$ $\Delta Y \approx -32.05\text{mm}$ $\Delta Z \approx 0.4\text{mm}$	35.2mm	Not inspected
---	---	---	--------	---------------



Side C

Sector 9