

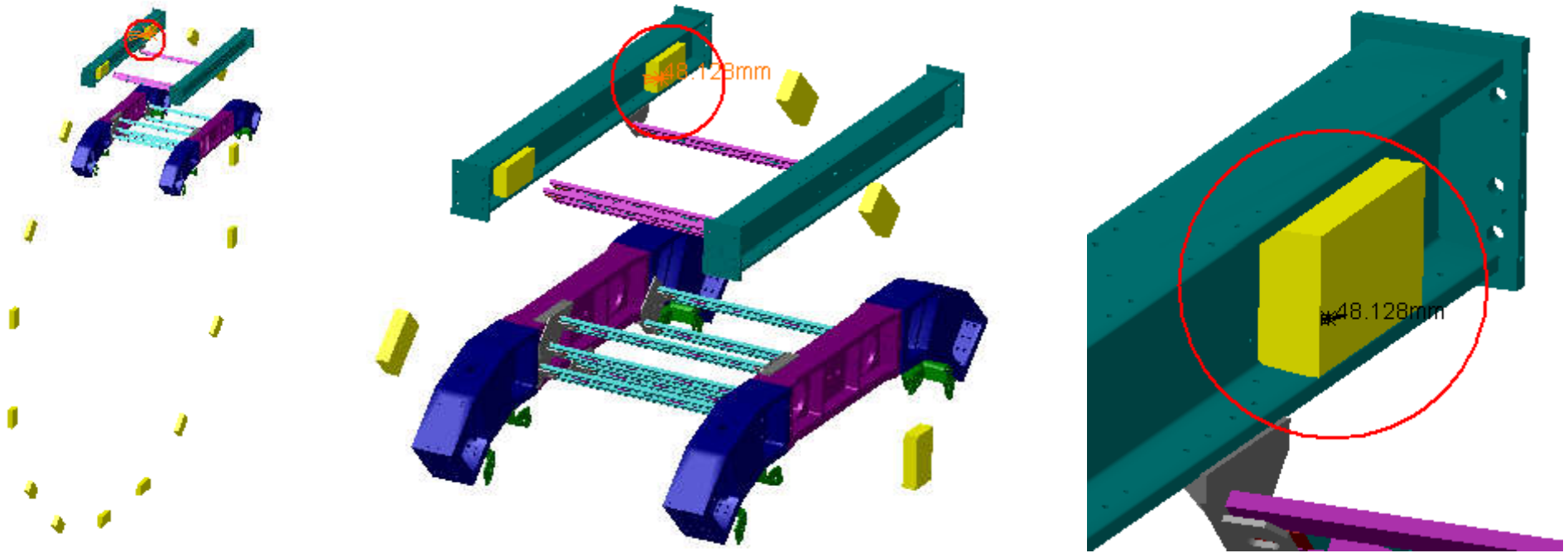
# Clash Publish



Clash Computation Specification			
Products Selected			
AT802101MQ Struct & Voussoir Brackets Sect 7	ATCNSM_0010 TB - ELECTRIC BOXES	-48.13	Not inspected
	ATCVTB_0003 RING C1 SECTOR 05 - TB WARM STRUCTURE	-550.23	Not inspected
	ATCVTB_0004 RING C1 SECTOR 07 - TB WARM STRUCTURE	-563.04	Not inspected
	ATCVTB_0035 RING A1 SECTOR 05 - TB WARM STRUCTURE	-550.23	Not inspected
	ATCVTB_0036 RING A1 SECTOR 07 - TB WARM STRUCTURE	-563.04	Not inspected
	ATCNTB_0001 BT6 TB STANDARD COIL - SECTORS 6	-550.23	Not inspected
	ATCNTB_0001 BT8 TB STANDARD COIL - SECTORS 8	-563.04	Not inspected
	ATCVTB_0008 TB CRYORING TOP SECTORS - (1, 3, 5, 7, 9)	-4.89	Not inspected

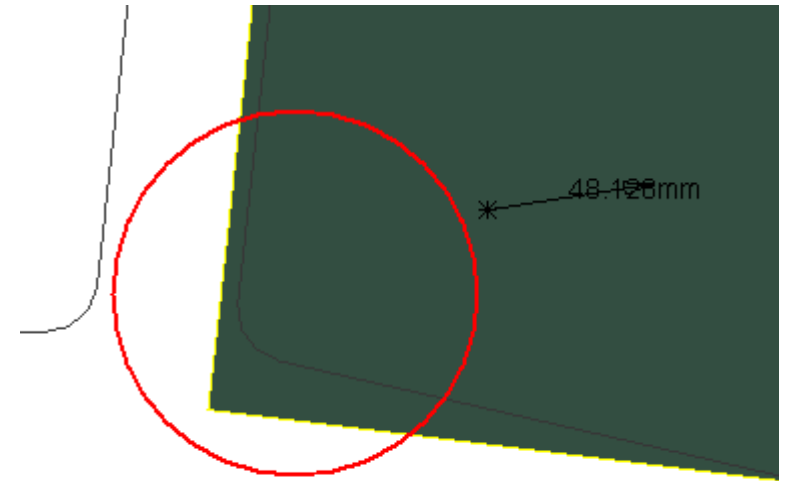
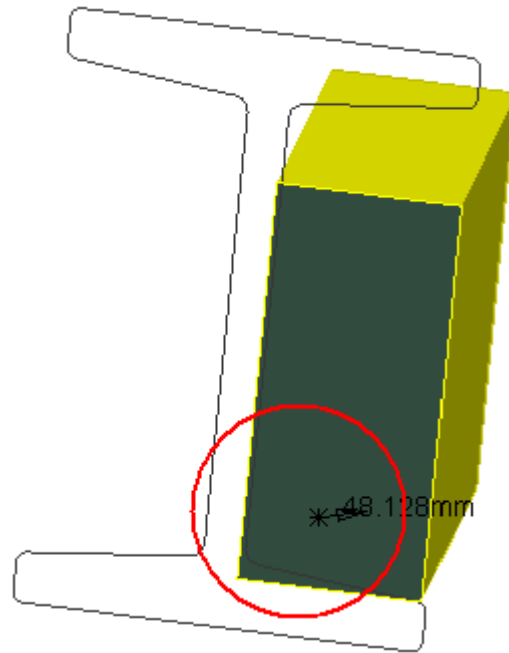
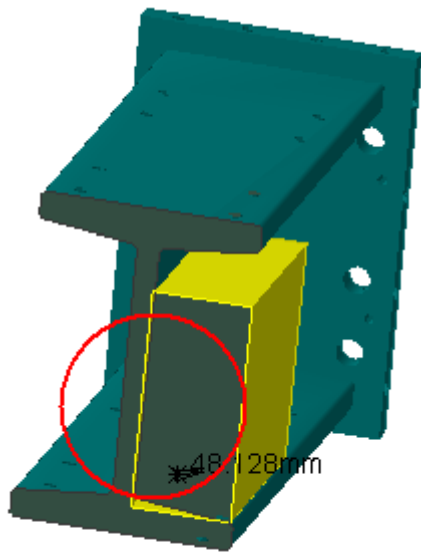
**Computation Result:**

AT802101MQ Struct & Voussoir Brackets Sect 7	ATCNSM_0010 TB - ELECTRIC BOXES	Clash	-48.13mm	Not inspected
--	---------------------------------	-------	----------	---------------

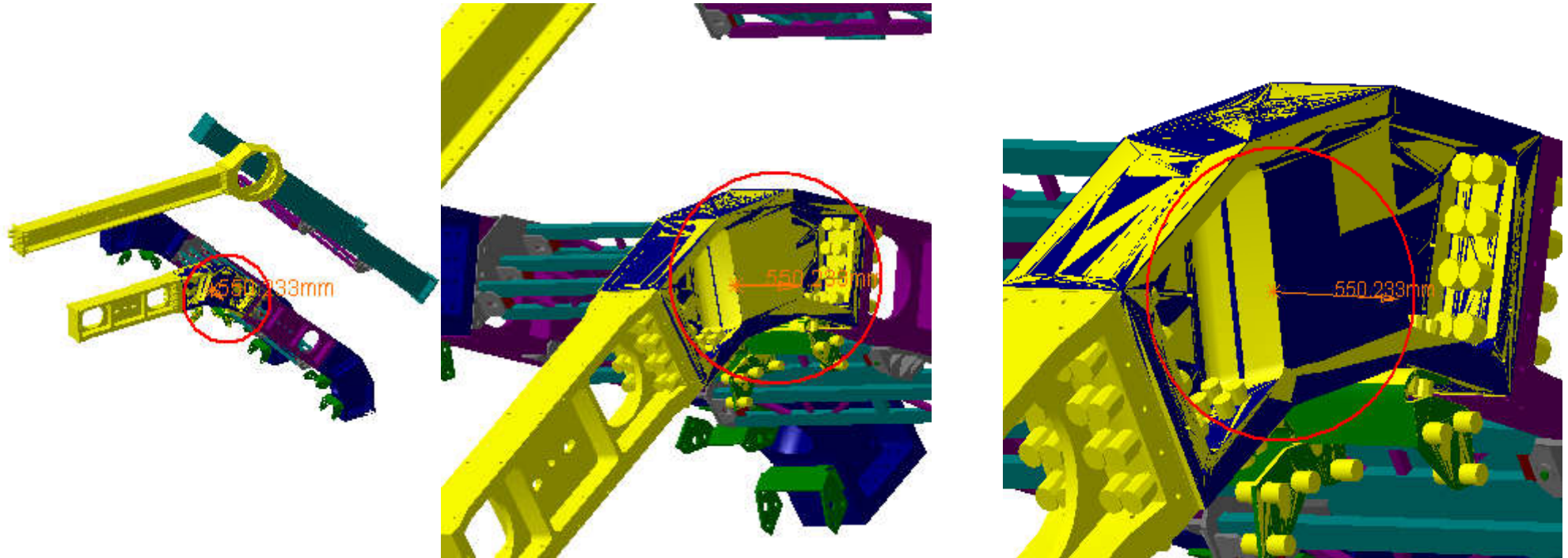


Side A  
Sector 7

# Clash View 1:

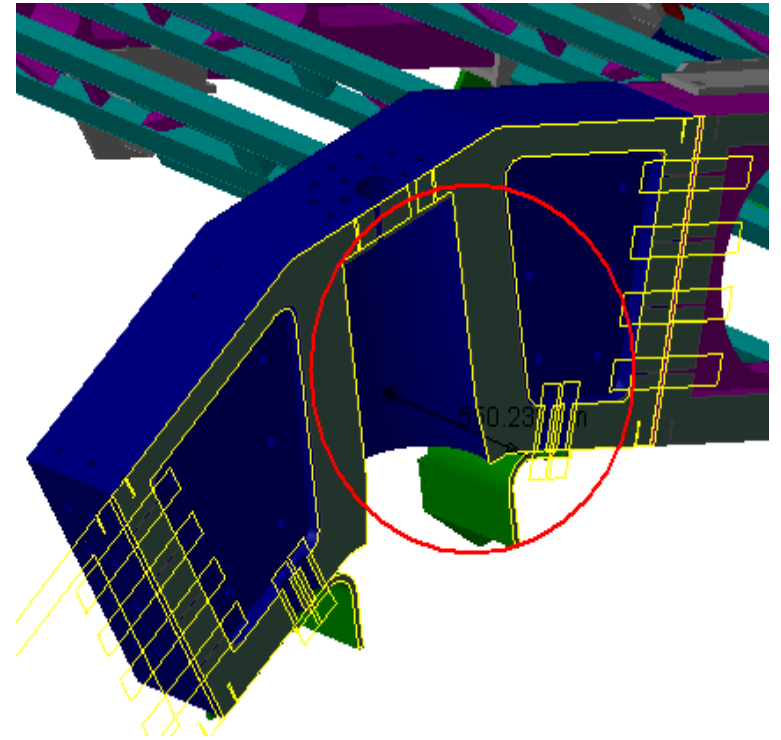
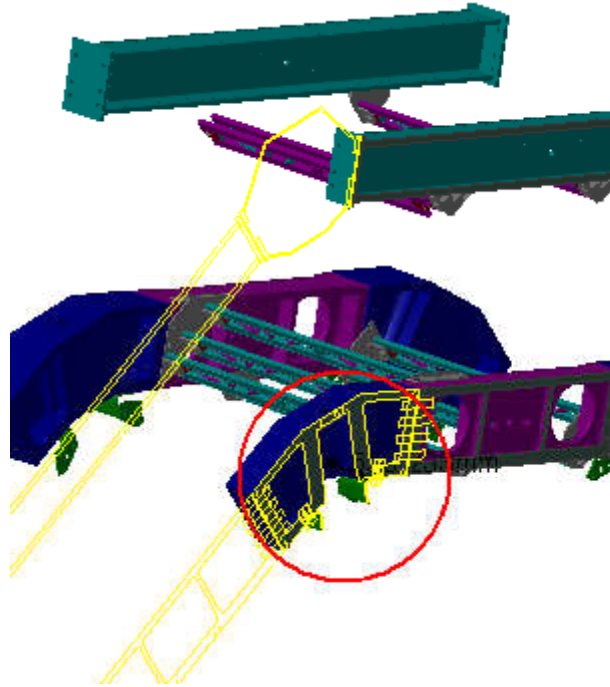
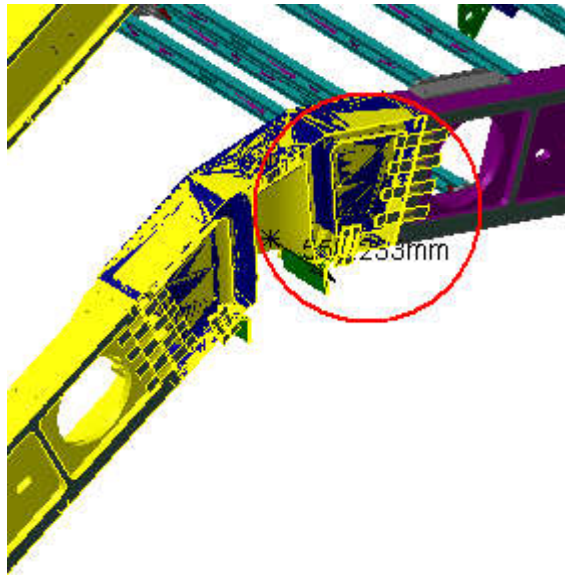


AT802101MQ Struct & Voussoir Brackets Sect 7	ATCVTB_0003 RING C1 SECTOR 05 - TB WARM STRUCTURE	Clash	-550.23	Not inspected
--	---	-------	---------	---------------

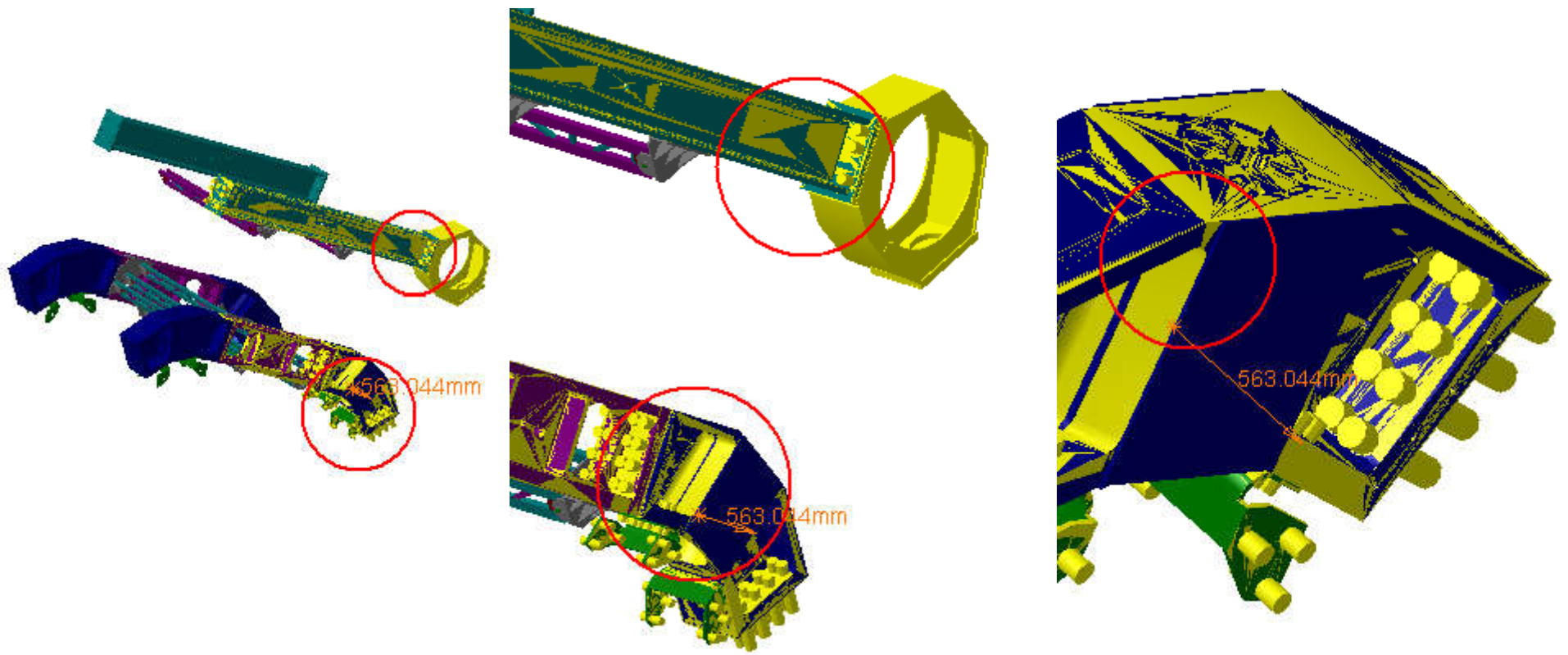


Side C  
Sector 6

# Clash View 1:



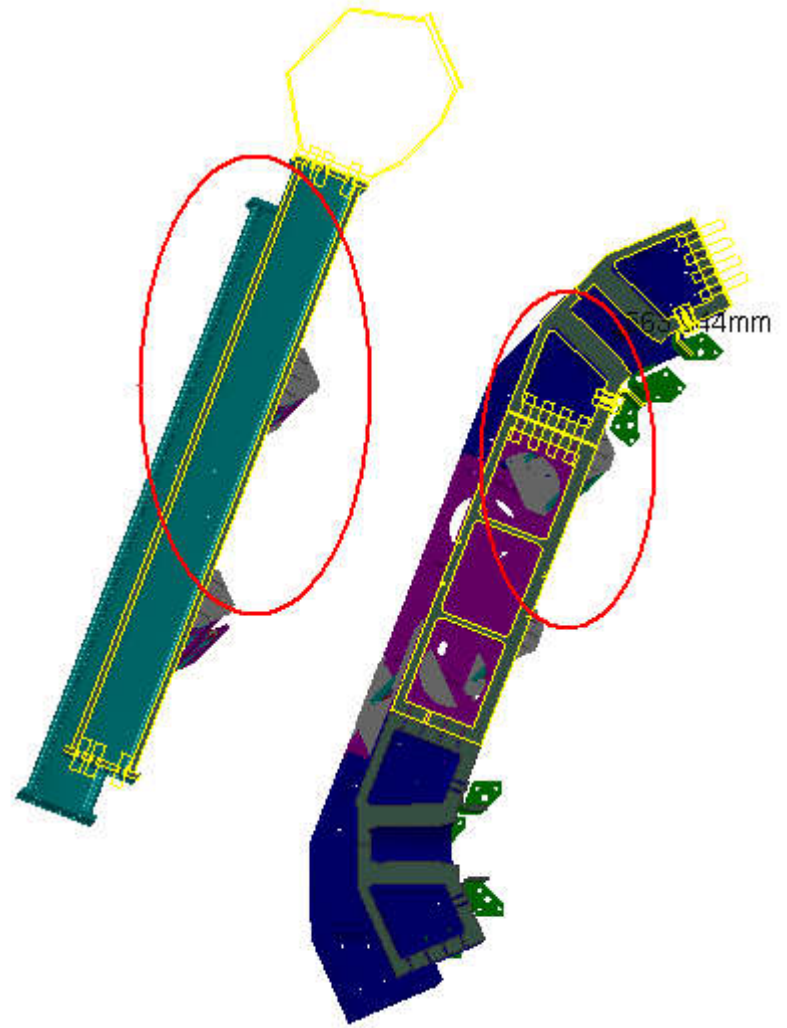
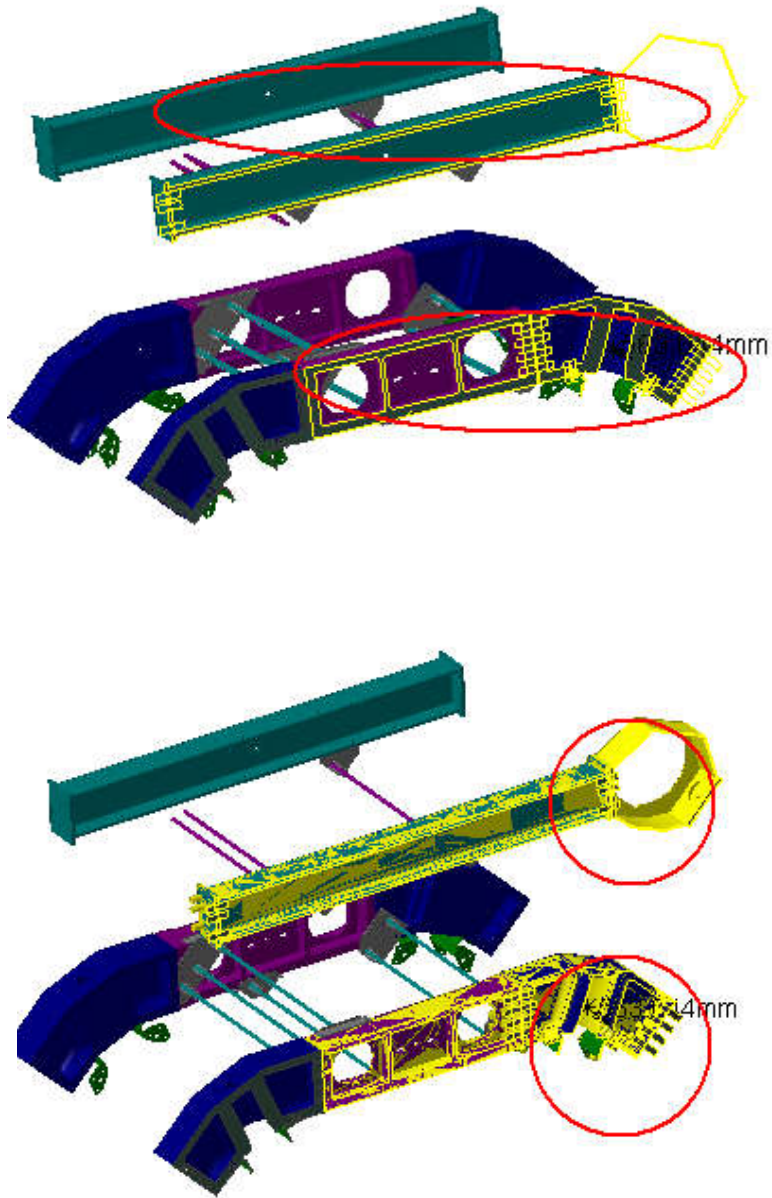
AT802101MQ Struct & Voussoir Brackets Sect 7	ATCVTB_0004 RING C1 SECTOR 07 - TB WARM STRUCTURE	Clash	-563.04mm	Not inspected
--	---	-------	-----------	---------------



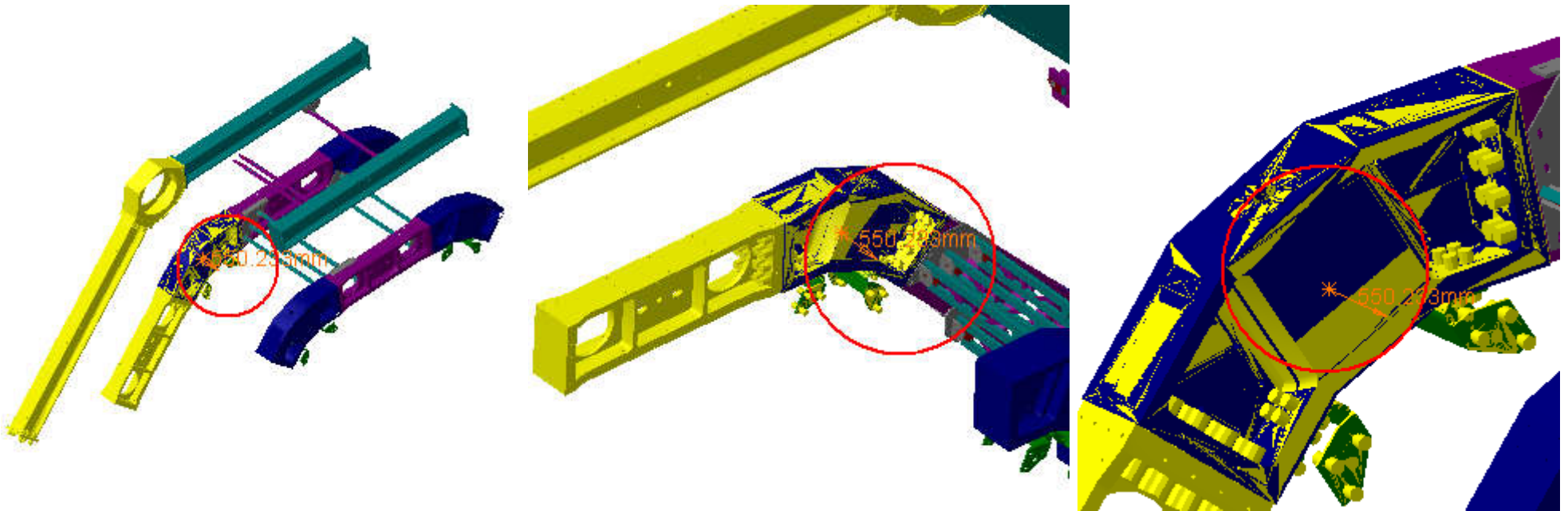
Side C  
Sector 8



# Clash View 1:



AT802101MQ Struct & Voussoir Brackets Sect 7	ATCVTB_0035 RING A1 SECTOR 05 - TB WARM STRUCTURE	Clash	-550.23mm	Not inspected
--	---	-------	-----------	---------------

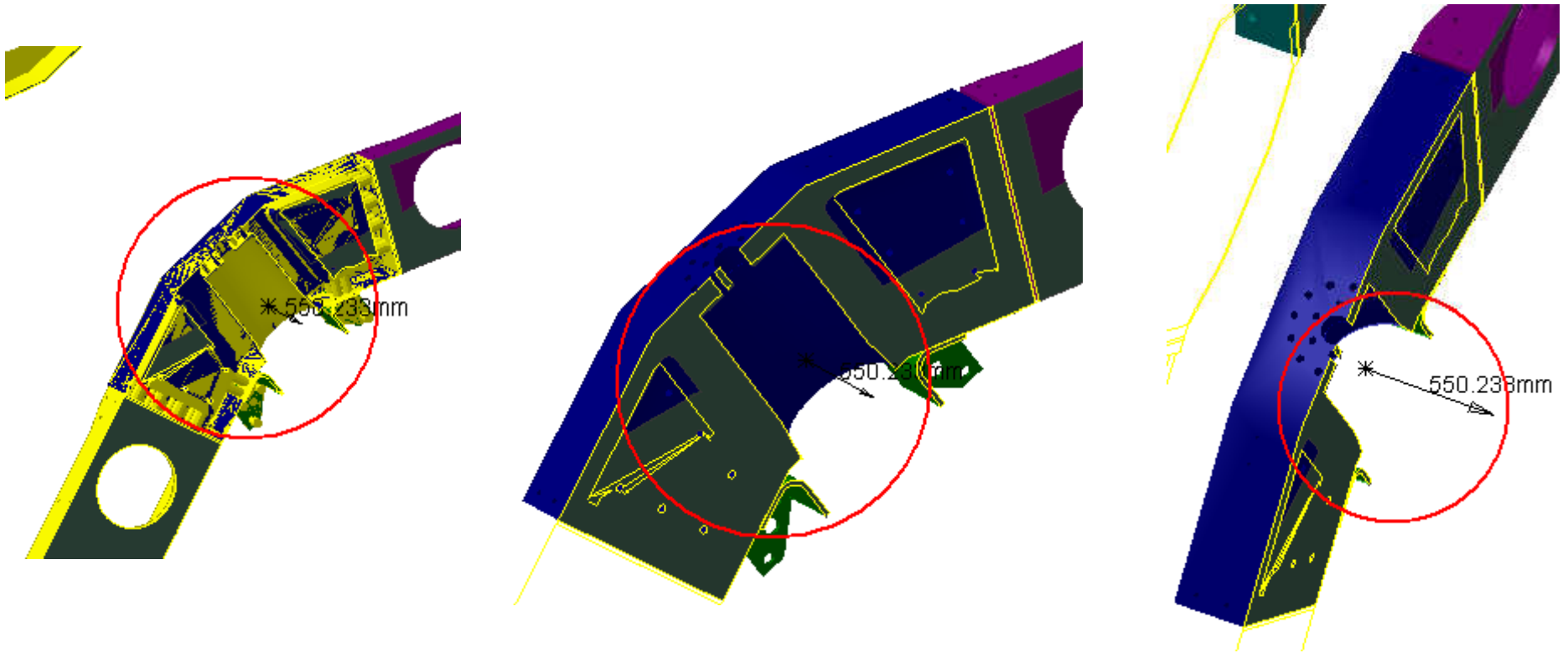


Side A

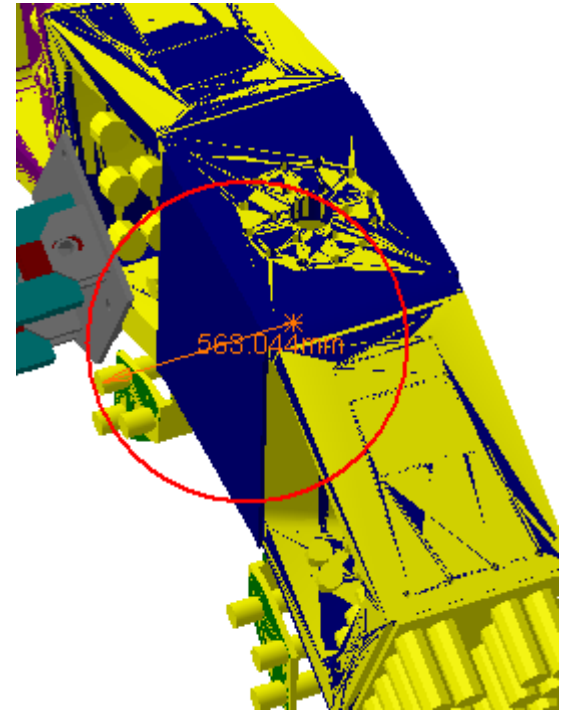
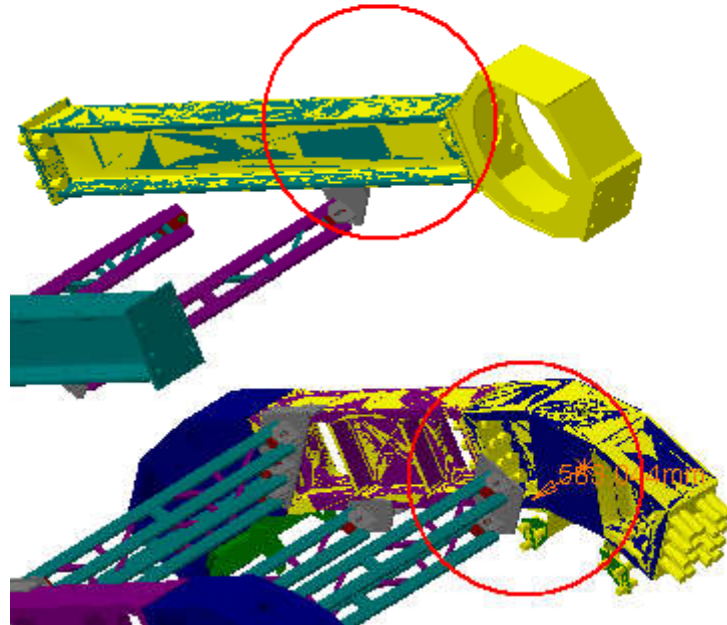
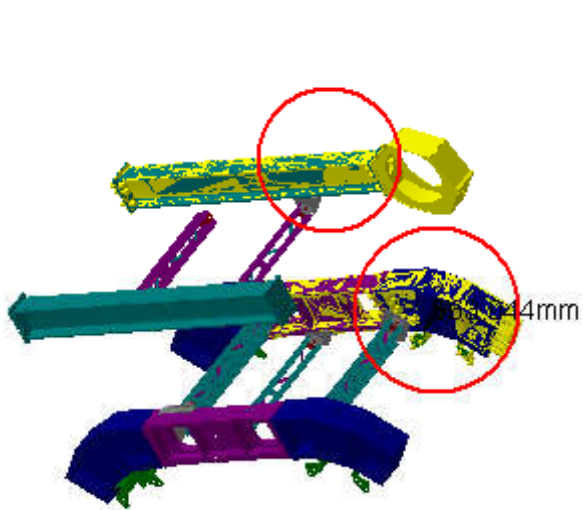
Sector 6



# Clash View 1:

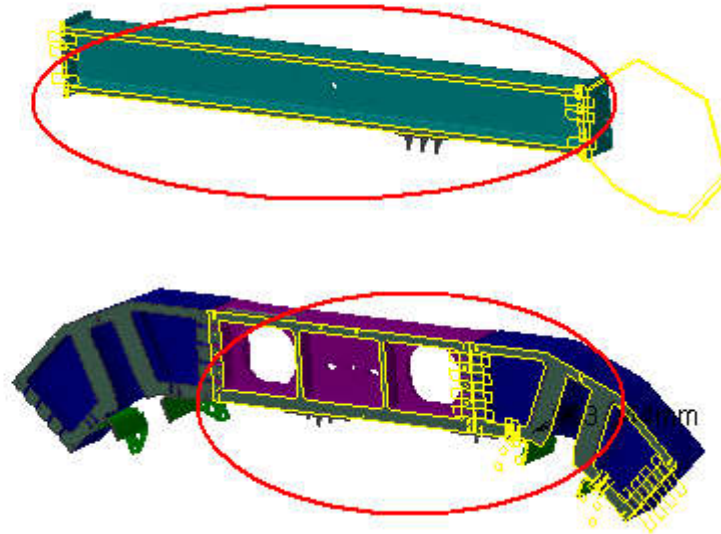
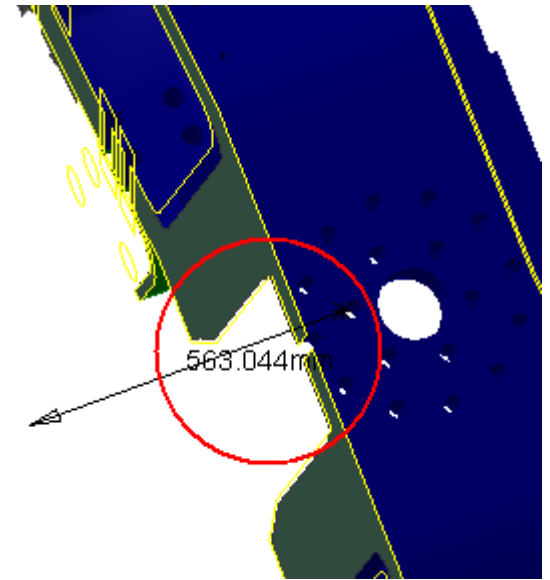
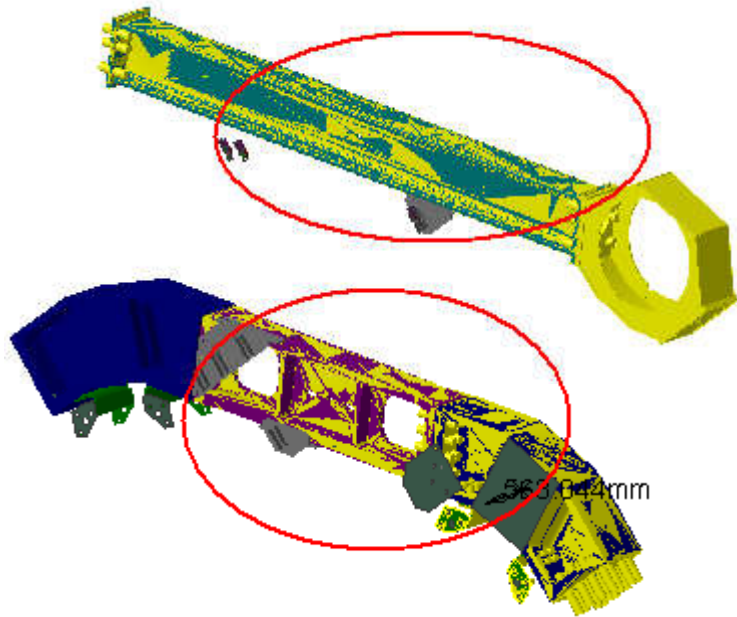


AT802101MQ Struct & Voussoir Brackets Sect 7	ATCVTB_0036 RING A1 SECTOR 07 - TB WARM STRUCTURE	Clash	-563.04mm	Not inspected
--	--	-------	-----------	---------------

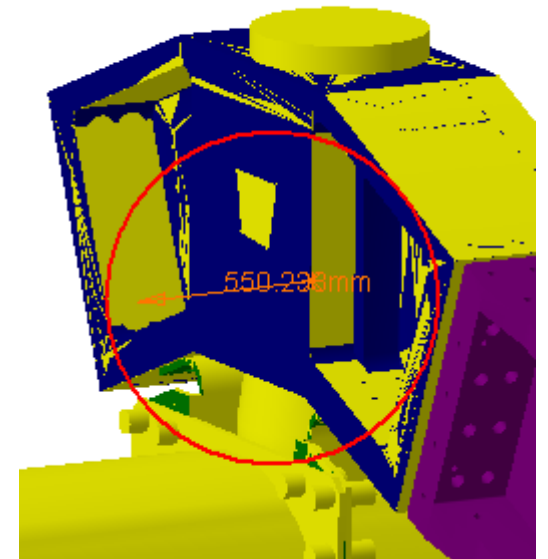
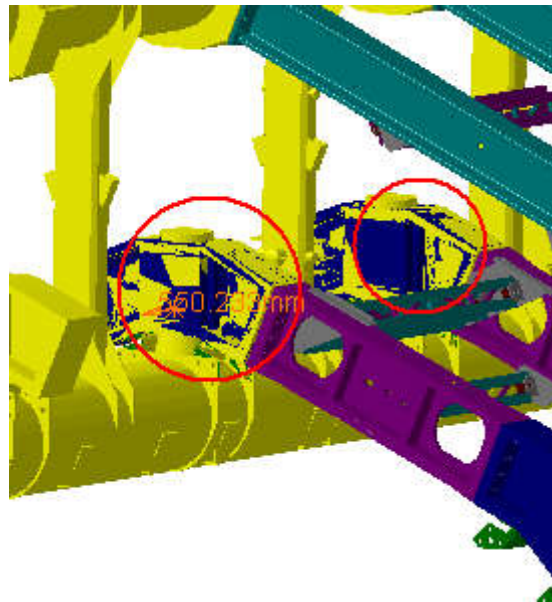
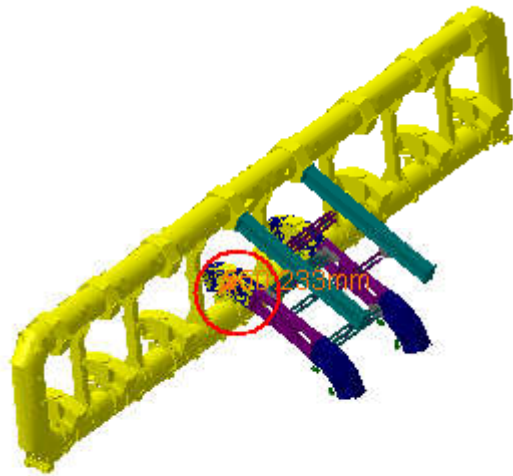


Side A  
Sector 8

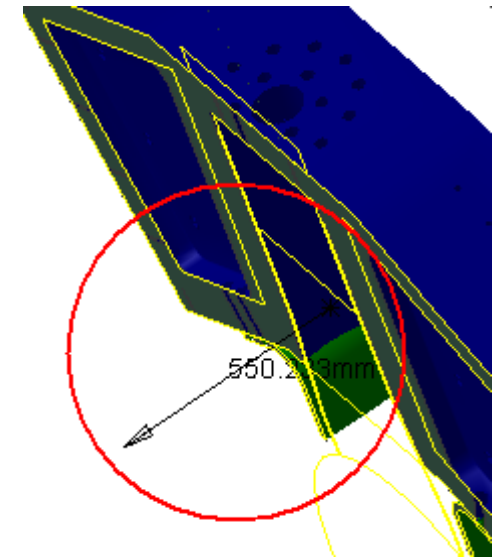
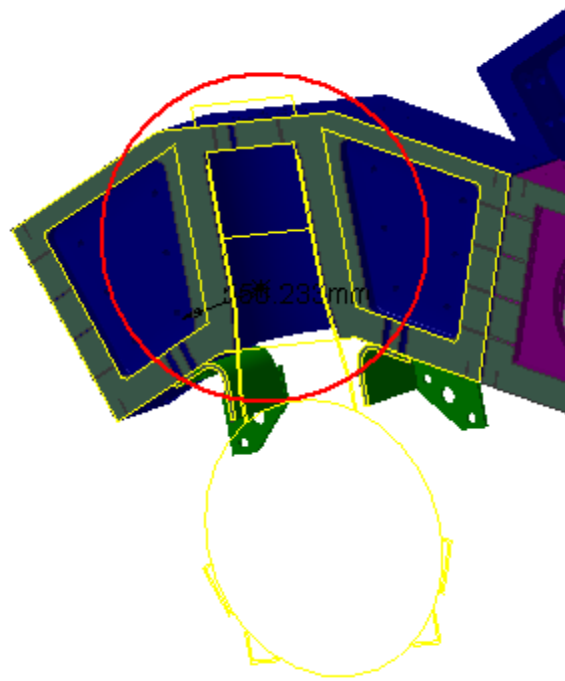
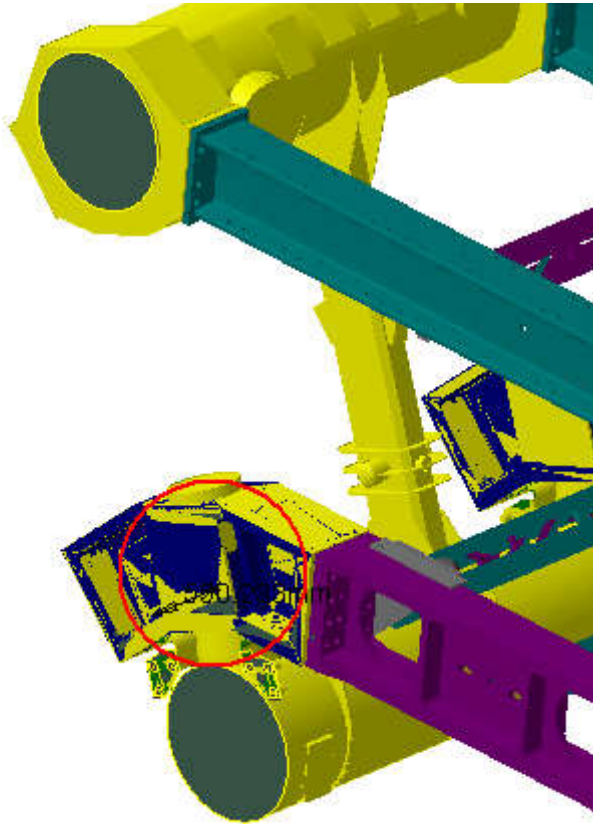
# Clash View 1:



AT802101MQ Struct & Voussoir Brackets Sect 7	ATCNTB_0001 BT6 TB STANDARD COIL - SECTORS 6	Clash	-550.23mm	Not inspected
--	---	-------	-----------	---------------

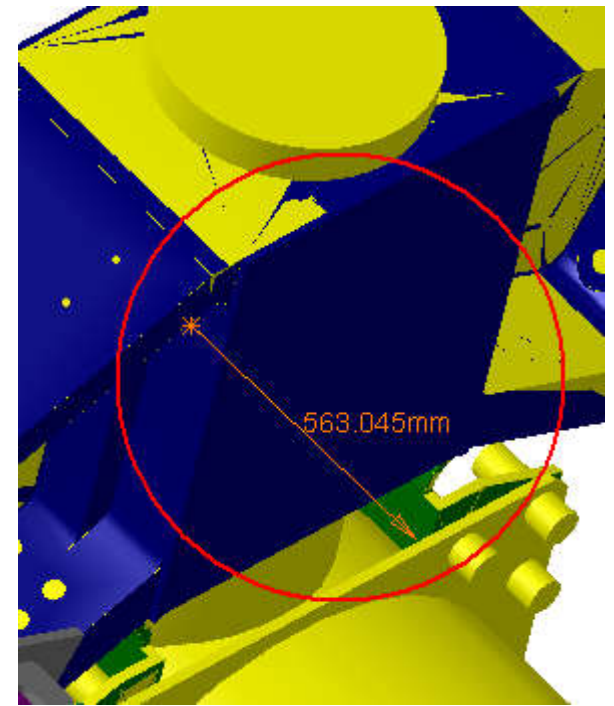
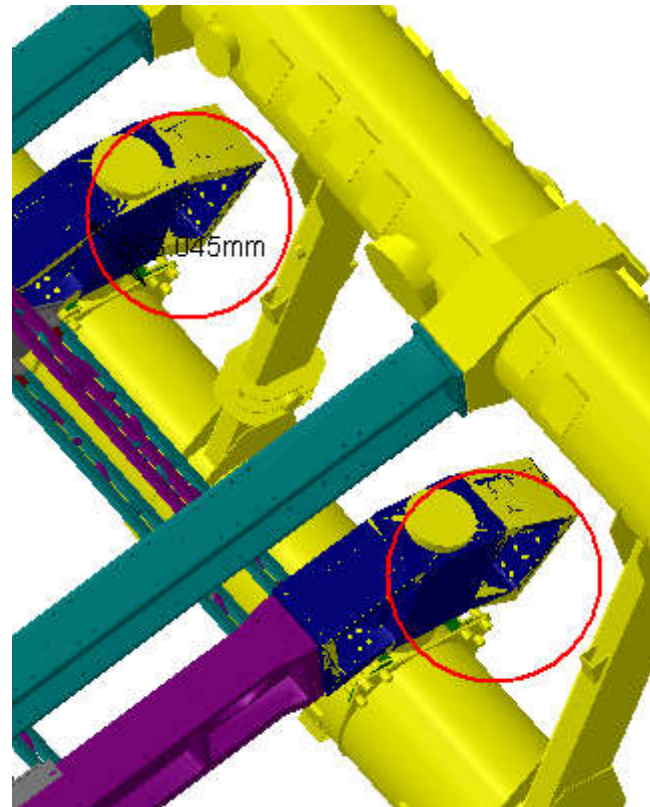
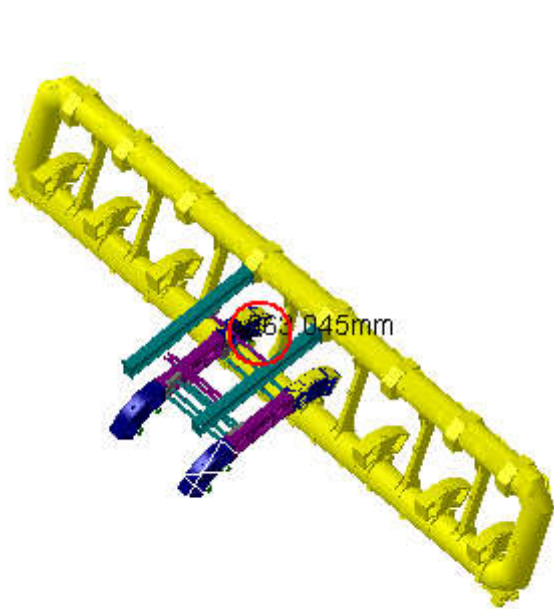


# Clash View 1:



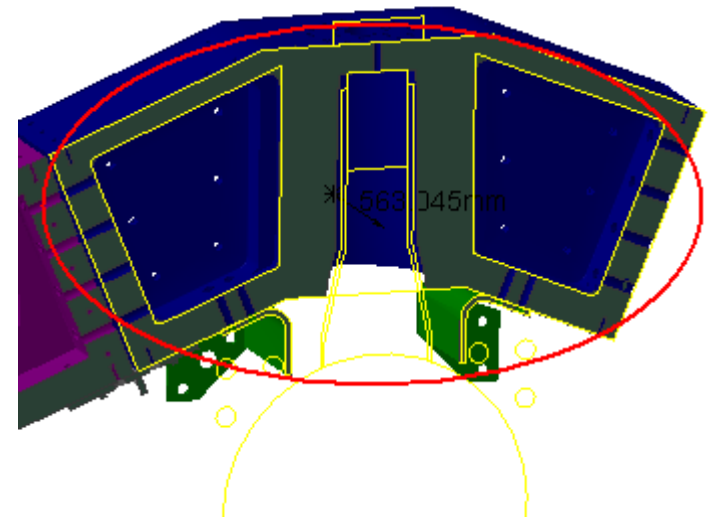
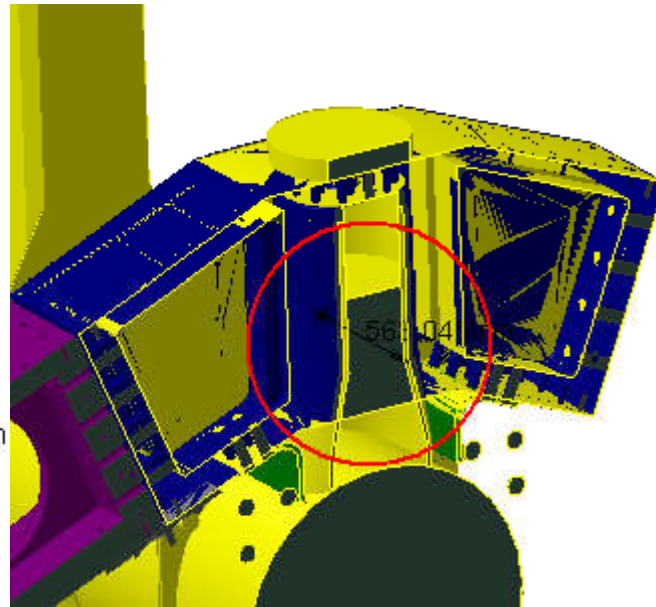
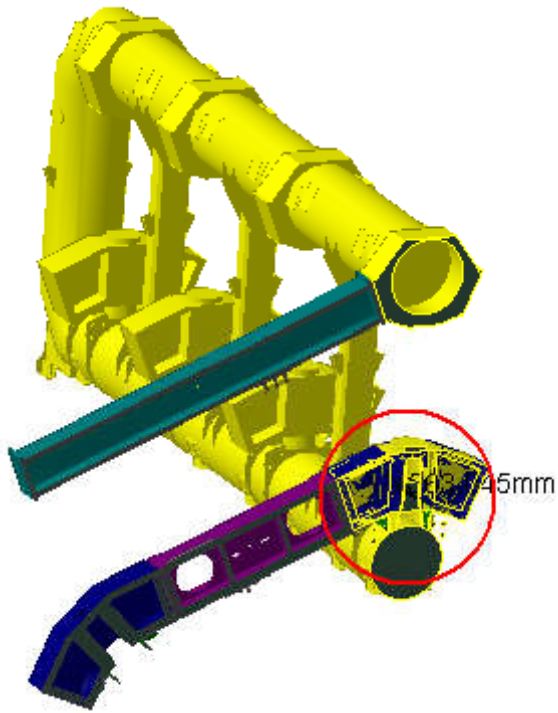


AT802101MQ Struct & Voussoir Brackets Sect 7	ATCNTB_0001 BT8 TB STANDARD COIL - SECTORS 8	Clash	-563.04mm	Not inspected
--	--	-------	-----------	---------------

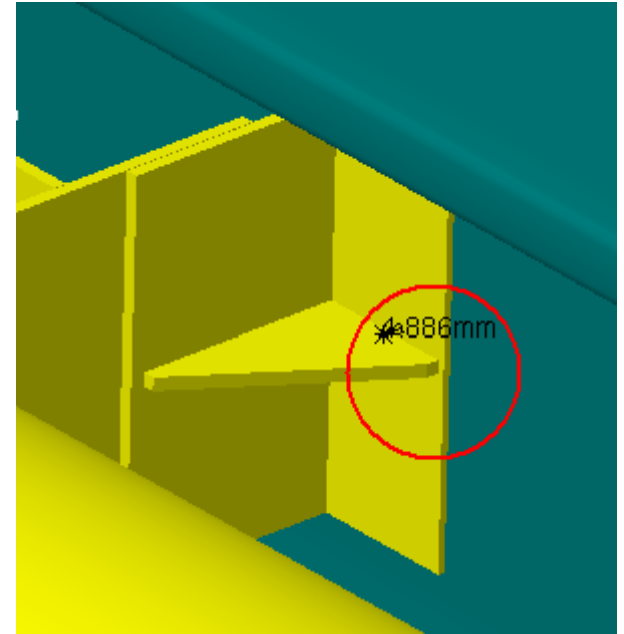
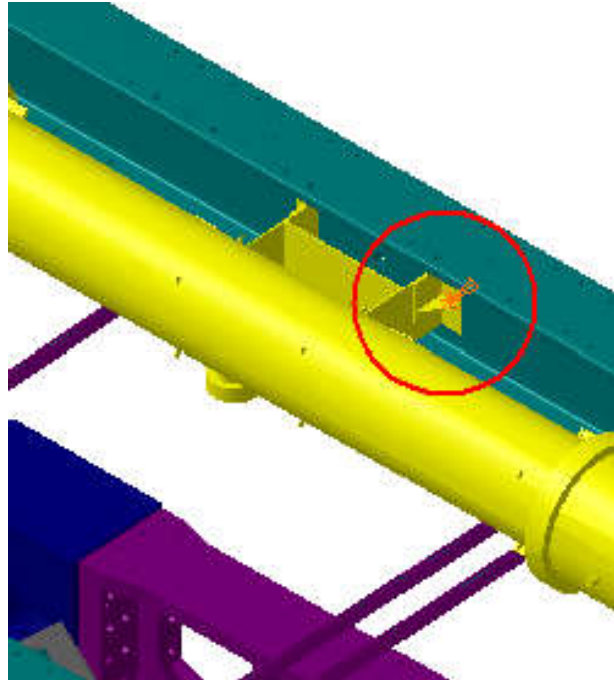
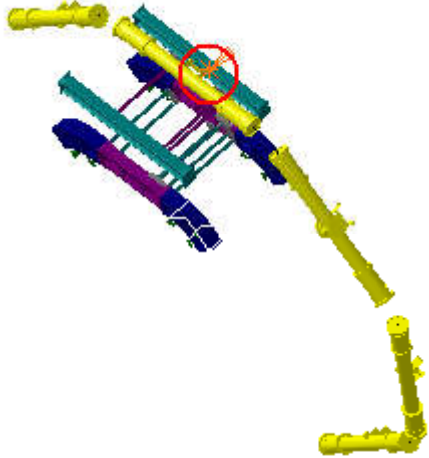




# Clash View 1:



AT802101MQ Struct & Voussoir Brackets Sect 7	ATCVTB_0008 TB CRYORING TOP SECTORS	Clash	-4.89mm	Not inspected
--	-------------------------------------	-------	---------	---------------



# Clash View 1:

