

Clash Publish



| Clash Computation Specification | | | |
|--|--|----------|--------------|
| Products Selected | | Value | Status |
| AT782722MQ - ALL CABLE TRAYS /S.13/ | NFO_0001 - HYDROSTATIC SYSTEM - TO MONITOR ATLAS STABILITY | -21.6 mm | Not Relevant |
| | VHB_0001 - CENTRAL PAIR OF FEET B - DETAILED MODEL FOR STANDARDS | -6.1 mm | Not Relevant |
| | VHB_0002 - STANDARD PAIR OF FEET A1 (C1) - DETAILED MODEL FOR STANDARDS | -12.8 mm | Not Relevant |
| | VHB_0003 - STANDARD PAIR OF FEET A2 (C2) - DETAILED MODEL FOR STANDARDS | -6.1 mm | Not Relevant |
| | VHB_0004 - STANDARD PAIR OF FEET A3 (C3) - DETAILED MODEL FOR STANDARDS | -30.3 mm | Relevant |
| | VHB_0005 - EXTREMITY PAIR OF FEET A4 (C4) - DETAILED MODEL FOR STANDARDS | -6.1 mm | Not Relevant |
| | ATCVHB_0002 M - STANDARD PAIR OF FEET A1 (C1) - DETAILED MODEL FOR STANDARDS | -12.8 mm | Not Relevant |

Revised by Alexander Samoshkin 29/11/2005

| Products Selected | | Value | Status |
|---|--|--------------|--------------|
| AT782722MQ - ALL CABLE TRAYS /S.13/ | ATCVHB_0003 M - STANDARD PAIR OF FEET A2 (C2) - DETAILED MODEL FOR STANDARDS | -6.1 mm | Not Relevant |
| | ATCVHB_0004 M - STANDARD PAIR OF FEET A3 (C3) - DETAILED MODEL FOR STANDARDS | -30.7 mm | Relevant |
| | ATCVHB_0005 M - EXTREMITY PAIR OF FEET A4 (C4) - DETAILED MODEL FOR STANDARDS | -6.1 mm | Not Relevant |
| | NH__0010 - TB VALVE BOX - SUPPORT STRUCTURE | -21.9 mm | Not Relevant |
| | AT672141MQ - FM-ENREF-A CH-TO-CH Align All Sectors | -93.9 mm | Relevant |
| | AT672142MQ - FM-ENREF-C CH-TO-CH Align All Sectors | -93.9 mm | Relevant |
| | NSM__0015 - BT HEATER BOXES AND CABLES - FOR FOOT REGION | -113.1 mm | Relevant |
| | NSM__0016 - BT HEATER CABLE DISTRIBUTION - FOR FOOT REGION | -70.4 mm | Not Relevant |
| | NSR__0014 - CABLE TRAYS FOR MUON SERVICES - LEVEL 1 SECTOR 13 SIDE A,C | -36.9 mm | Not Relevant |
| | NTB_0001 BT10 - TB STANDARD COIL - SECTOR 10 | -0.035 mm | Not Relevant |
| | AT812126MQ - Warm Structure | -1.2 mm | Not Relevant |
| | AT812127MQ - Warm Structure | -12.9 mm | Not Relevant |
| | AT812126MQ-M - Warm Structure | -1.2 mm | Not Relevant |
| AT812127MQ-M - Warm Structure | -12.9 mm | Not Relevant | |

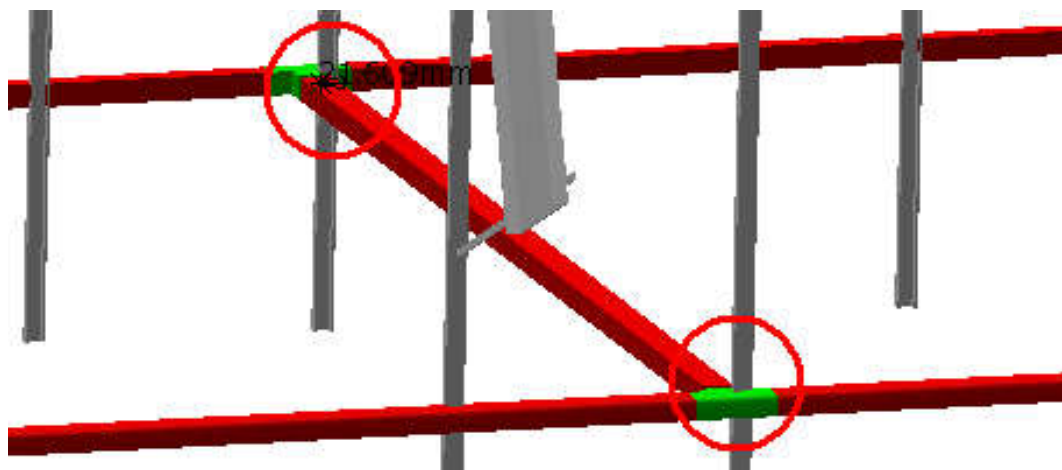
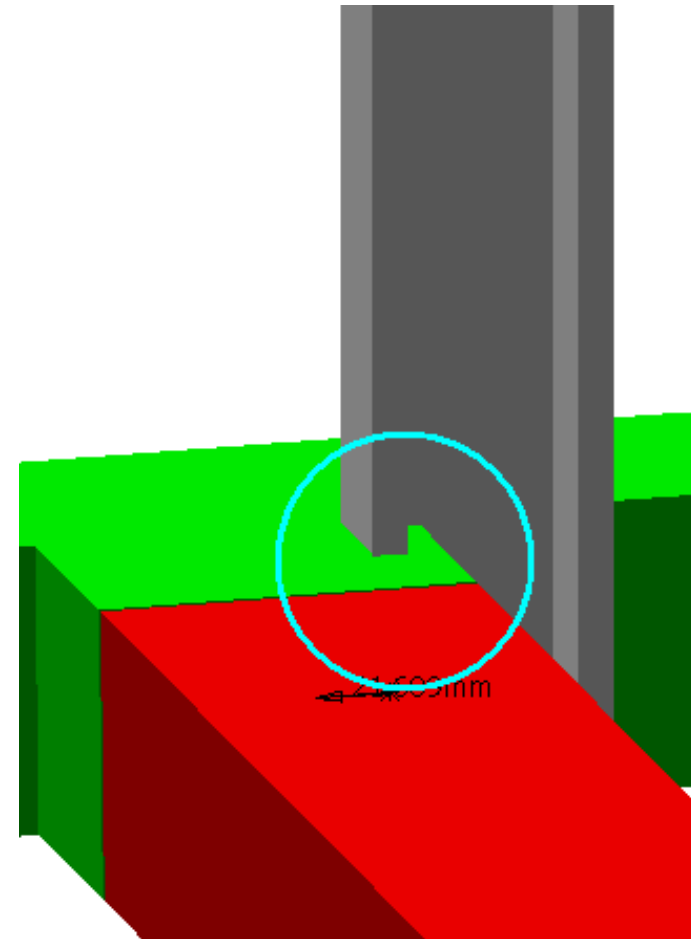
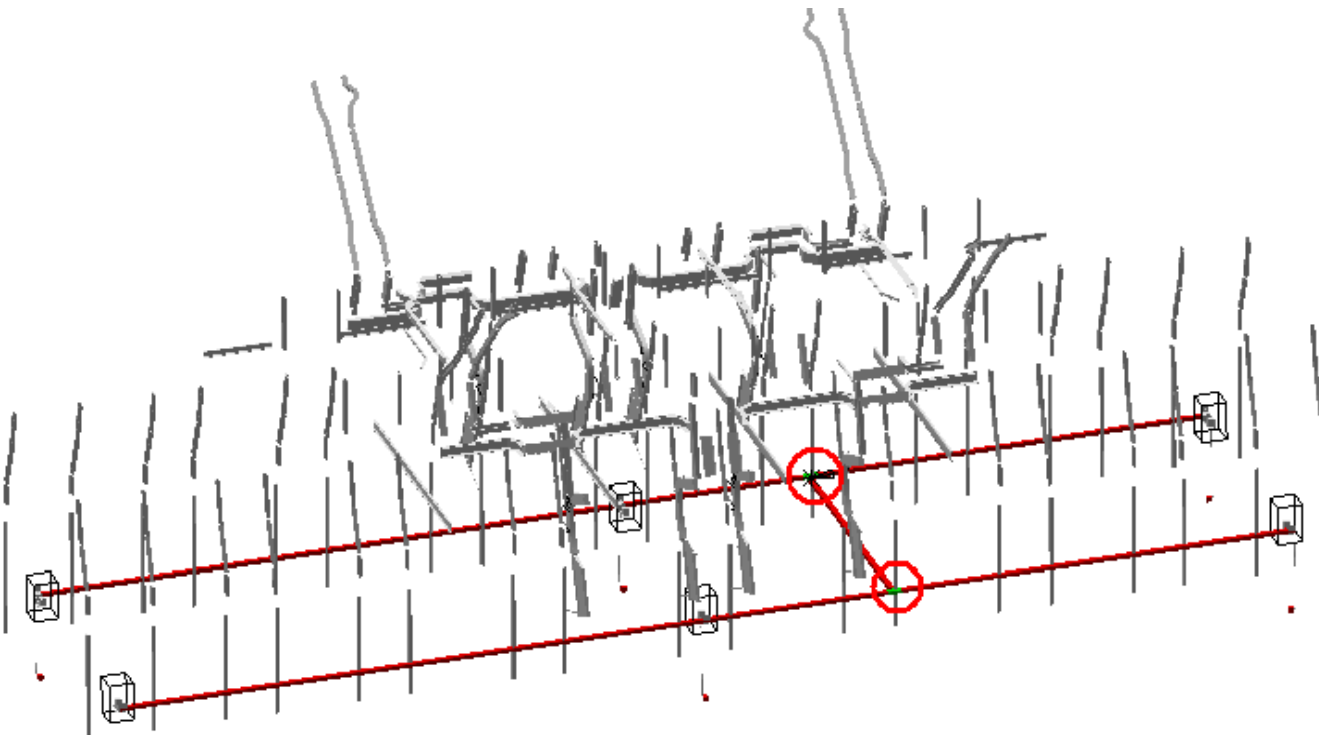
AT782722MQ - ALL CABLE TRAYS
/S.13/

NFO_0001 - HYDROSTATIC SYSTEM - TO MONITOR
ATLAS STABILITY

Clash

-21.6 mm

Not Relevant



Clash value: ~ 21.6 mm

SIDE A

Sector 12, 14

The indicated part belongs to the both models

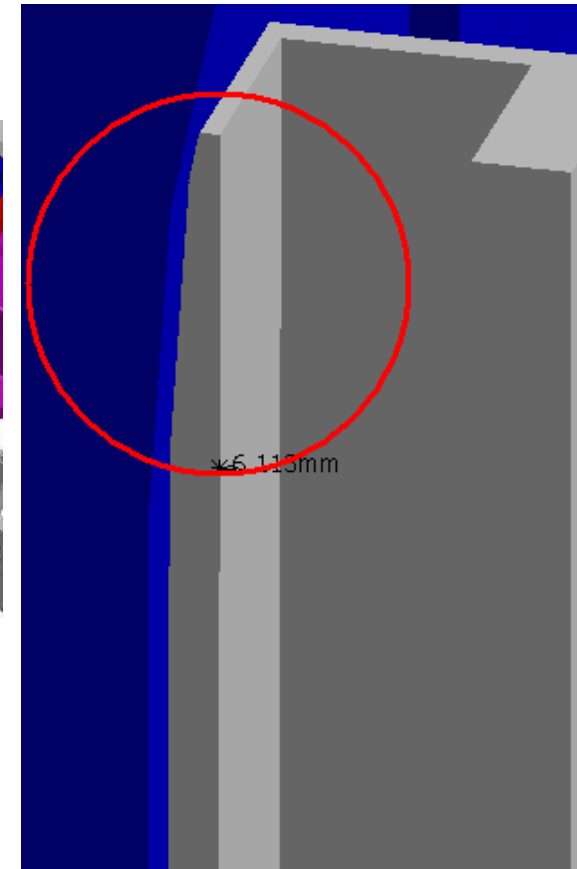
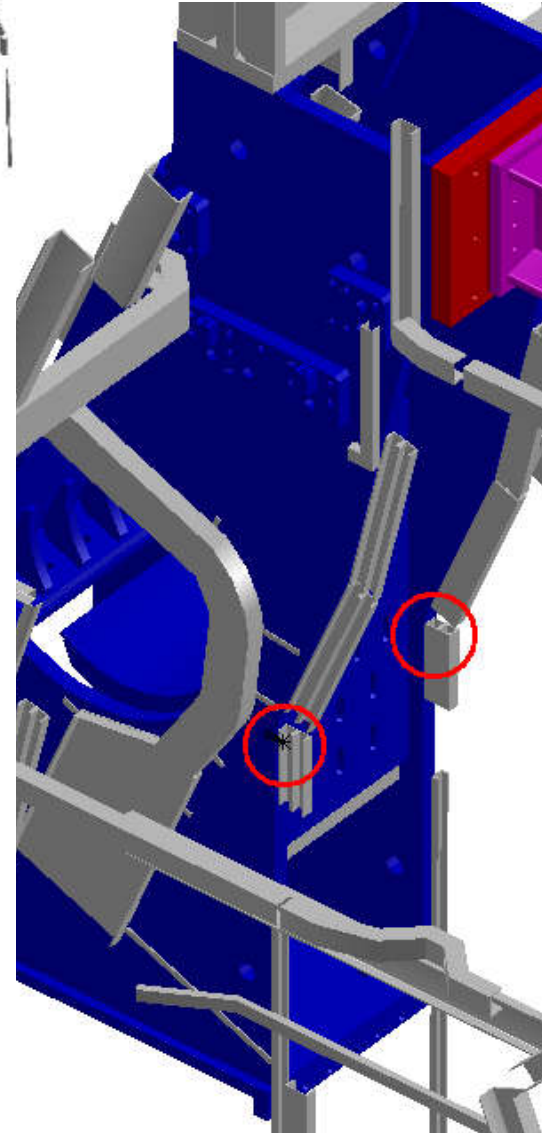
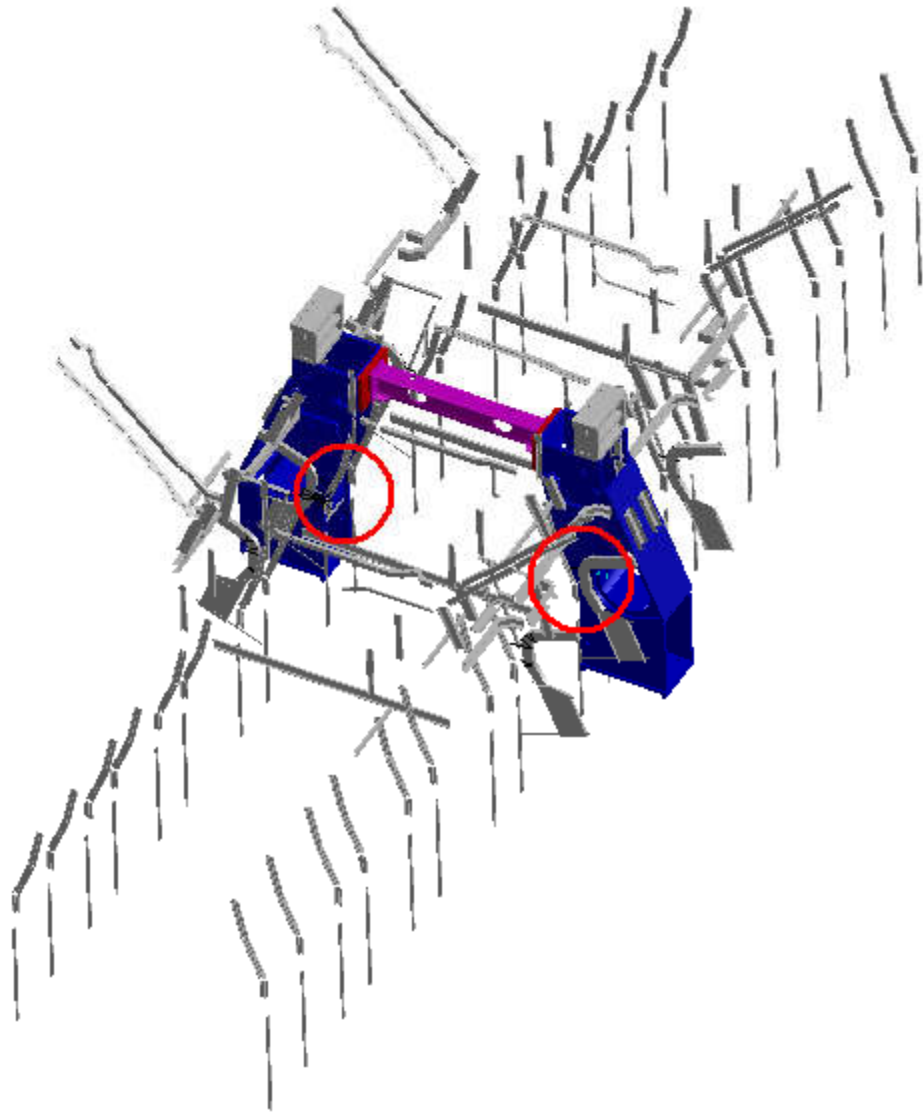
AT782722MQ - ALL CABLE TRAYS
/S.13/

VHB_0001 - CENTRAL PAIR OF FEET B - DETAILED
MODEL FOR STANDARDS

Clash

-6.1 mm

Not Relevant



Clash value: ~ 6.1 mm

SIDE A-C

Sector 12, 14

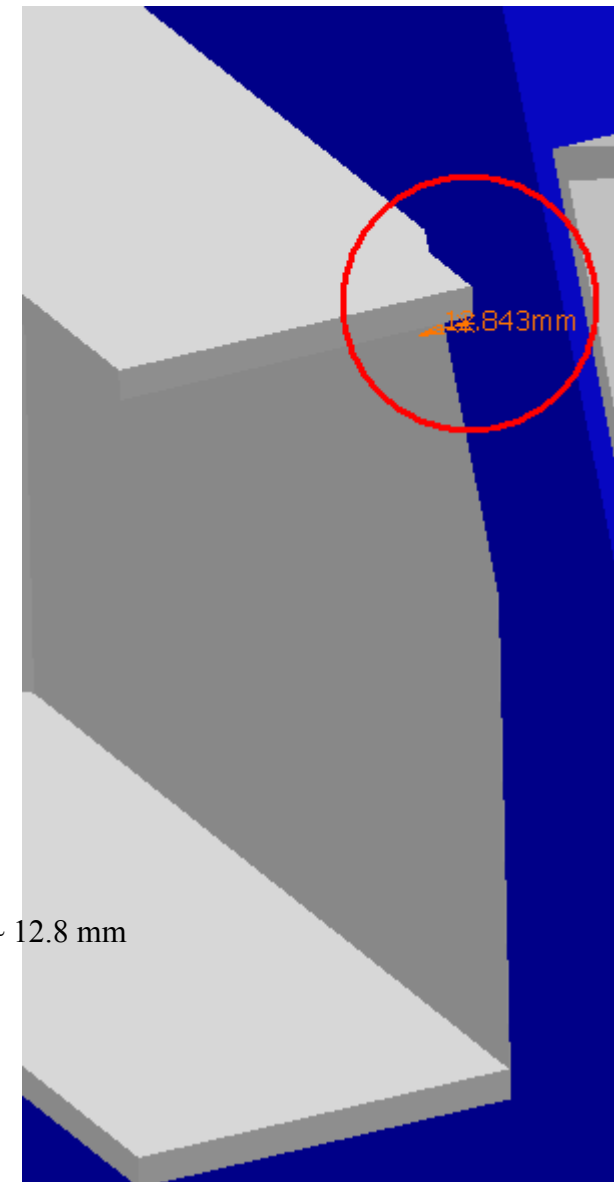
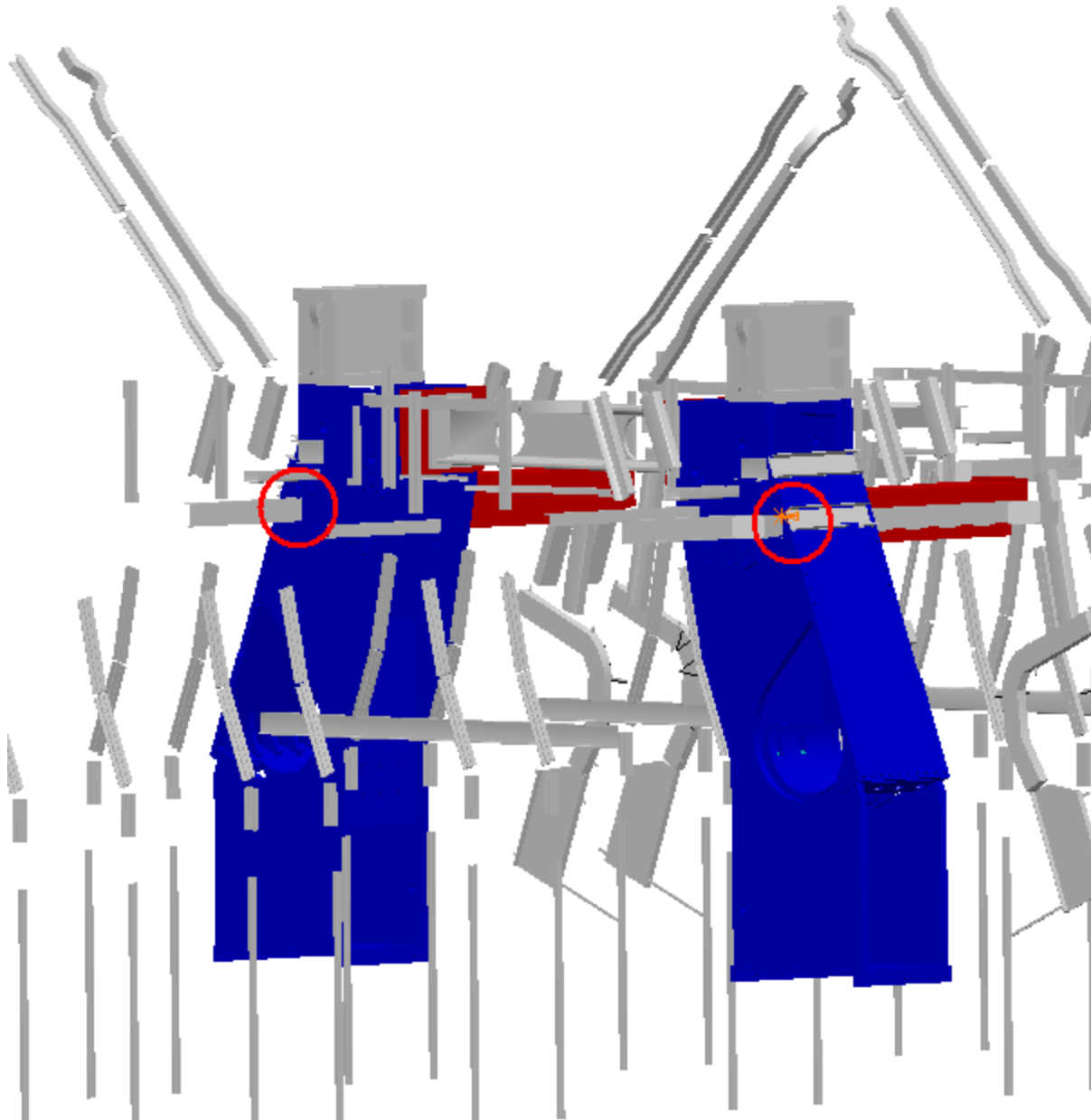
AT782722MQ - ALL CABLE TRAYS
/S.13/

VHB_0002 - STANDARD PAIR OF FEET A1 (C1) -
DETAILED MODEL FOR STANDARDS

Clash

-12.8 mm

Not Relevant



Clash value: ~ 12.8 mm

SIDE A

Sector 12, 14

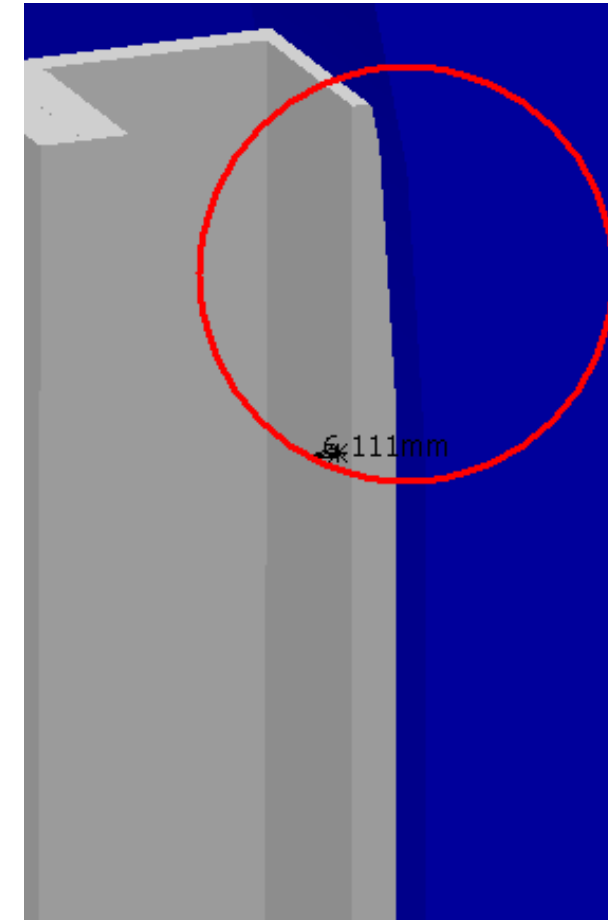
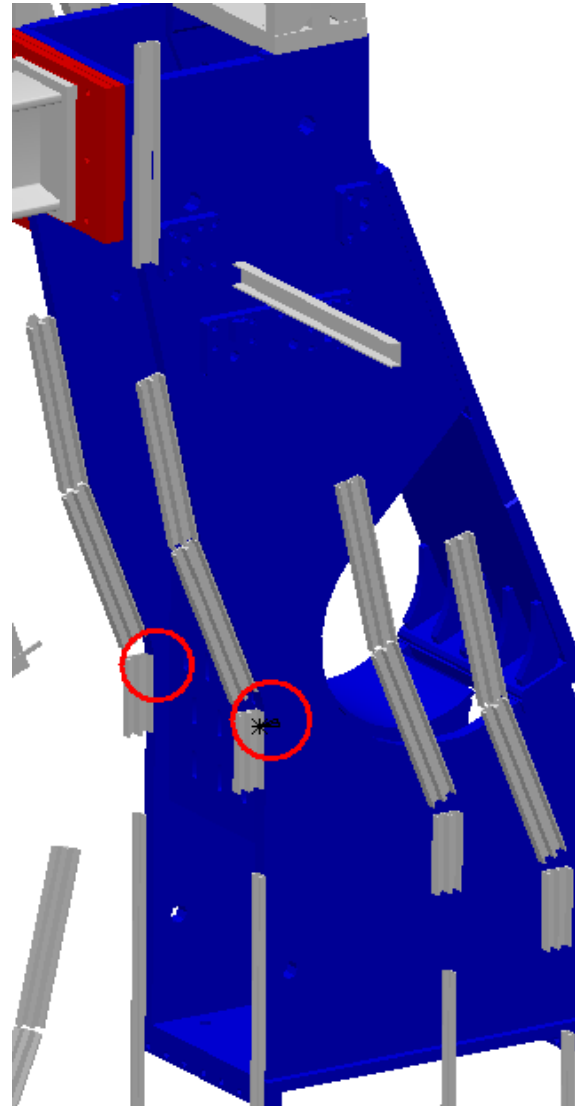
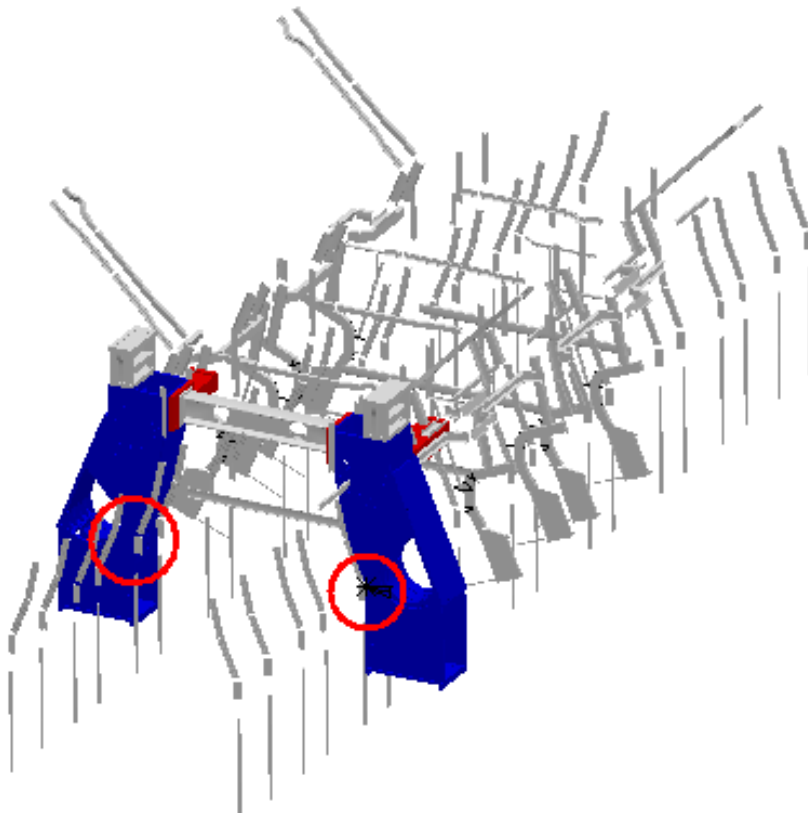
AT782722MQ - ALL CABLE TRAYS
/S.13/

VHB_0003 - STANDARD PAIR OF FEET A2 (C2) -
DETAILED MODEL FOR STANDARDS

Clash

-6.1 mm

Not Relevant

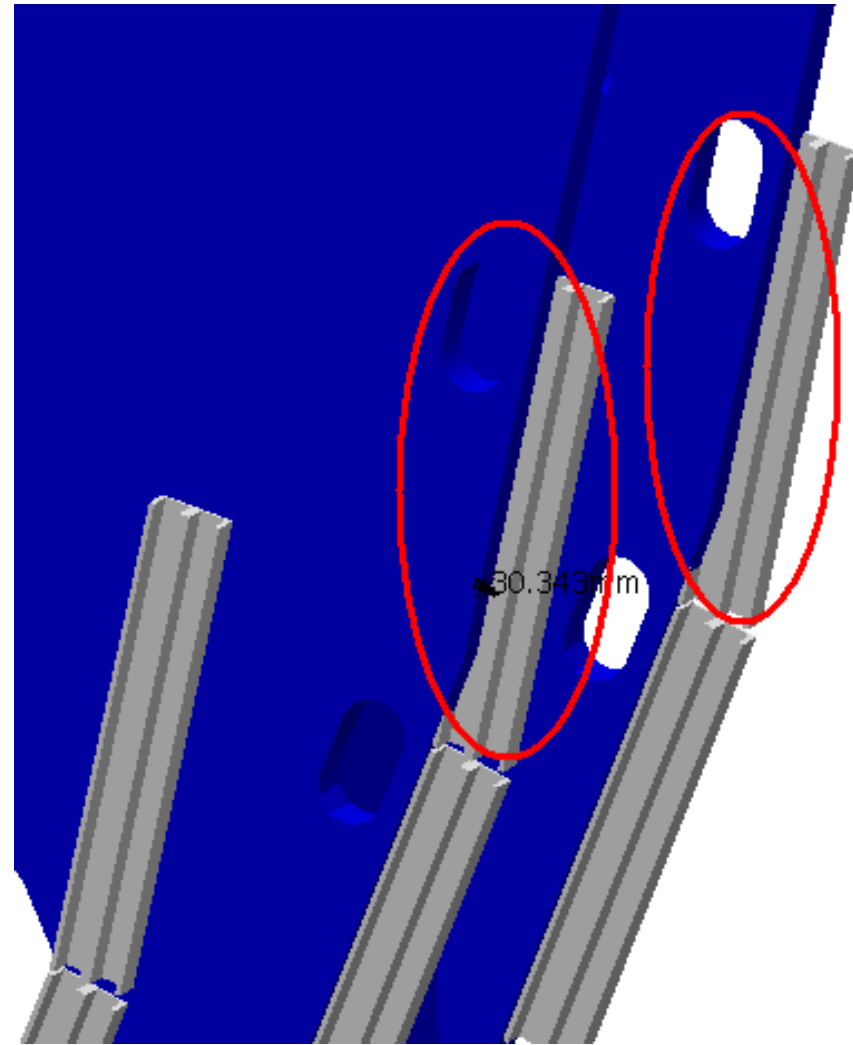
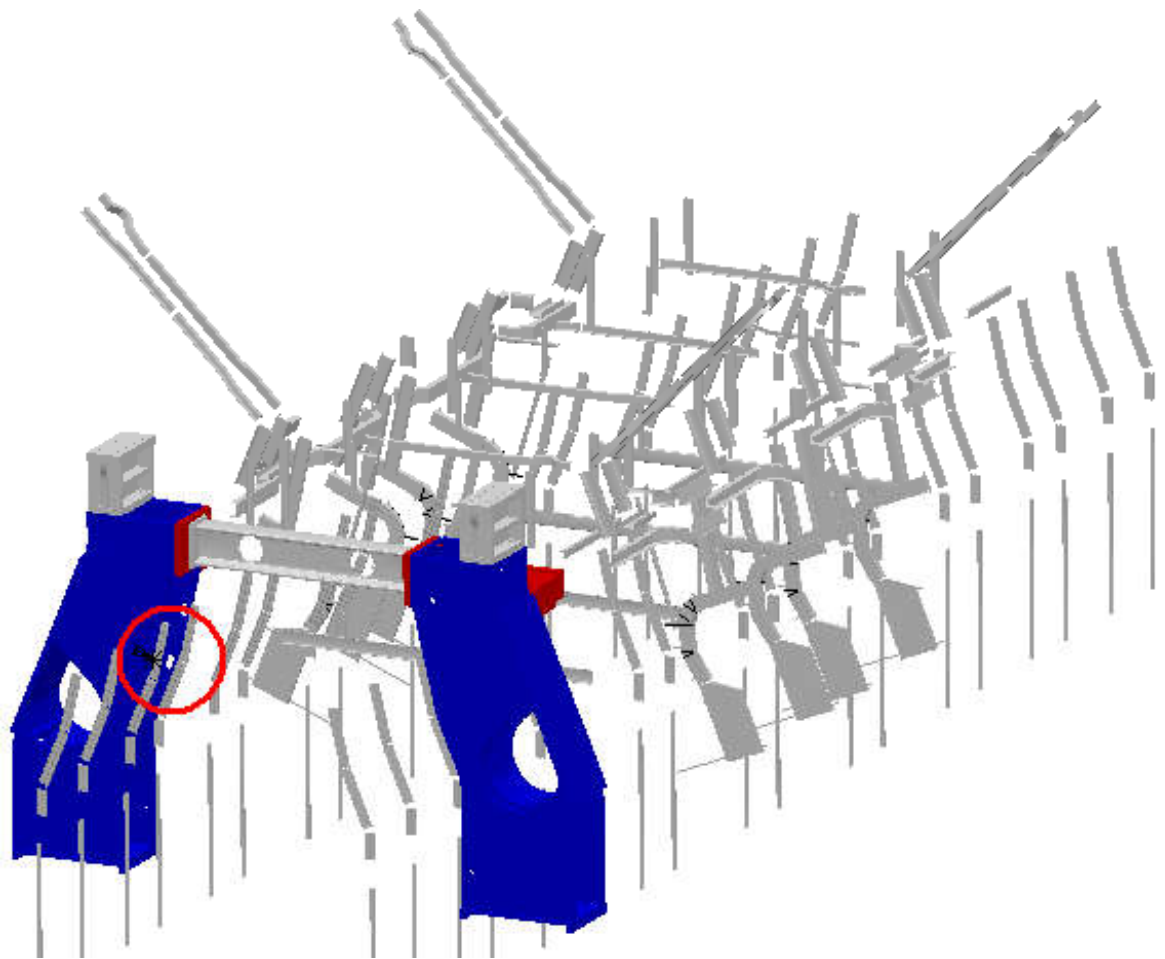


Clash value: ~ 6.1 mm

SIDE A

Sector 12, 14

| | | | | |
|--|--|-------|----------|----------|
| AT782722MQ - ALL CABLE TRAYS /S.13/ | VHB_0004 - STANDARD PAIR OF FEET A3 (C3) - DETAILED MODEL FOR STANDARDS | Clash | -30.3 mm | Relevant |
|--|--|-------|----------|----------|

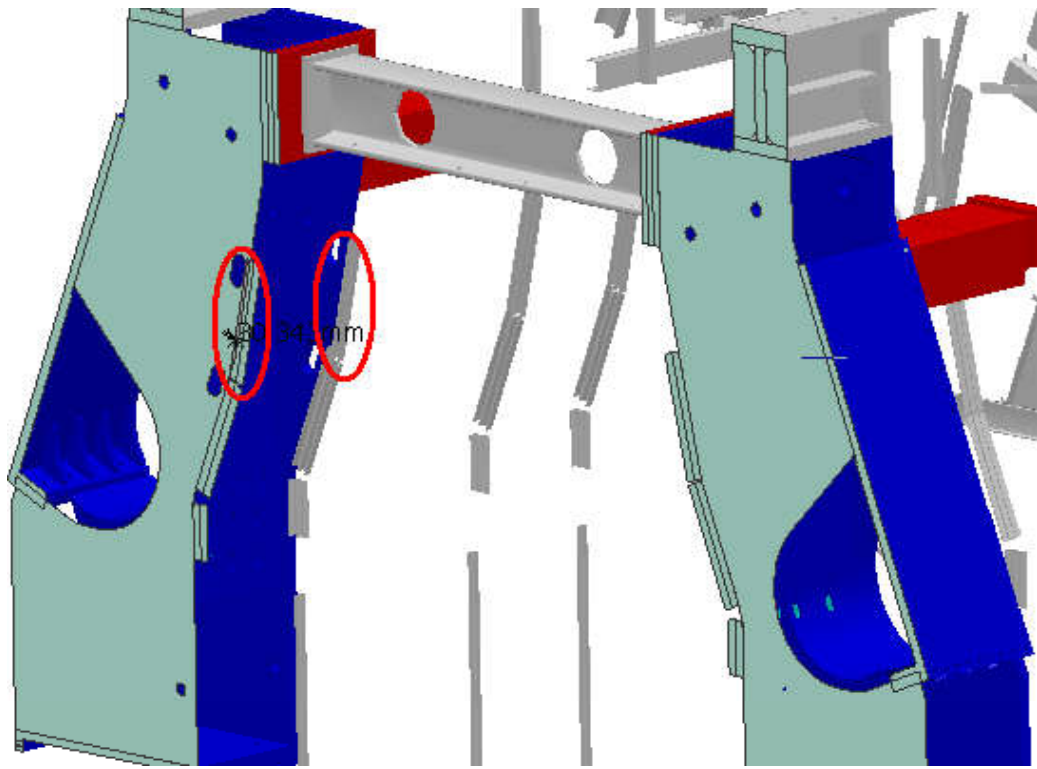


Clash value: ~ 30.3 mm

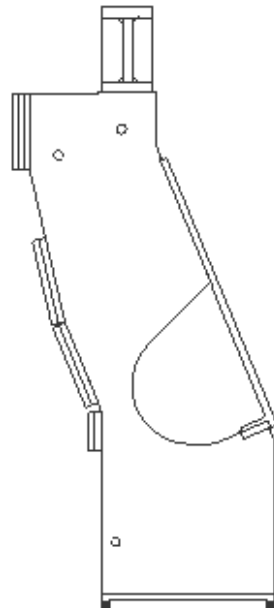
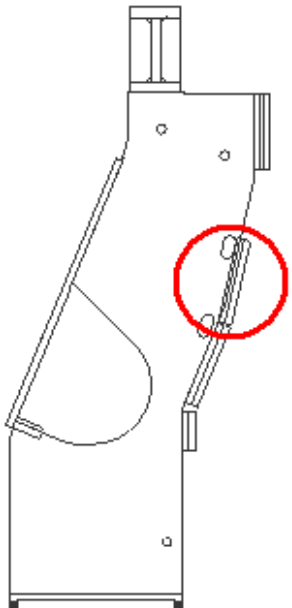
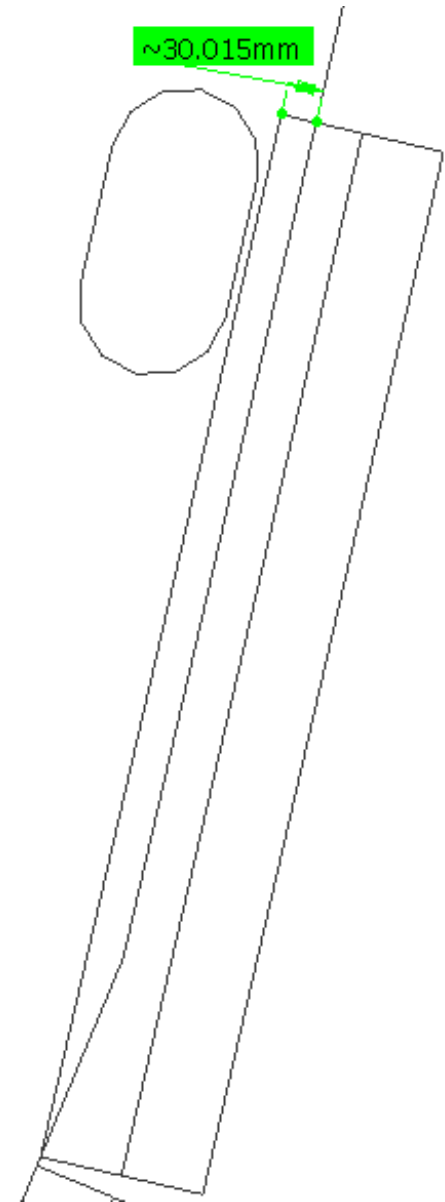
SIDE A

Sector 12

Alexander: To be modified



Clash View:



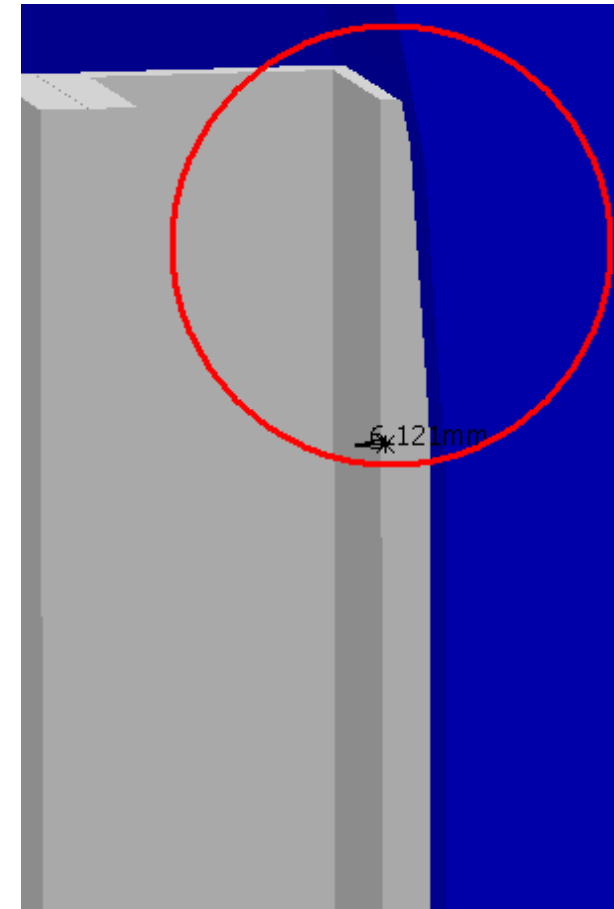
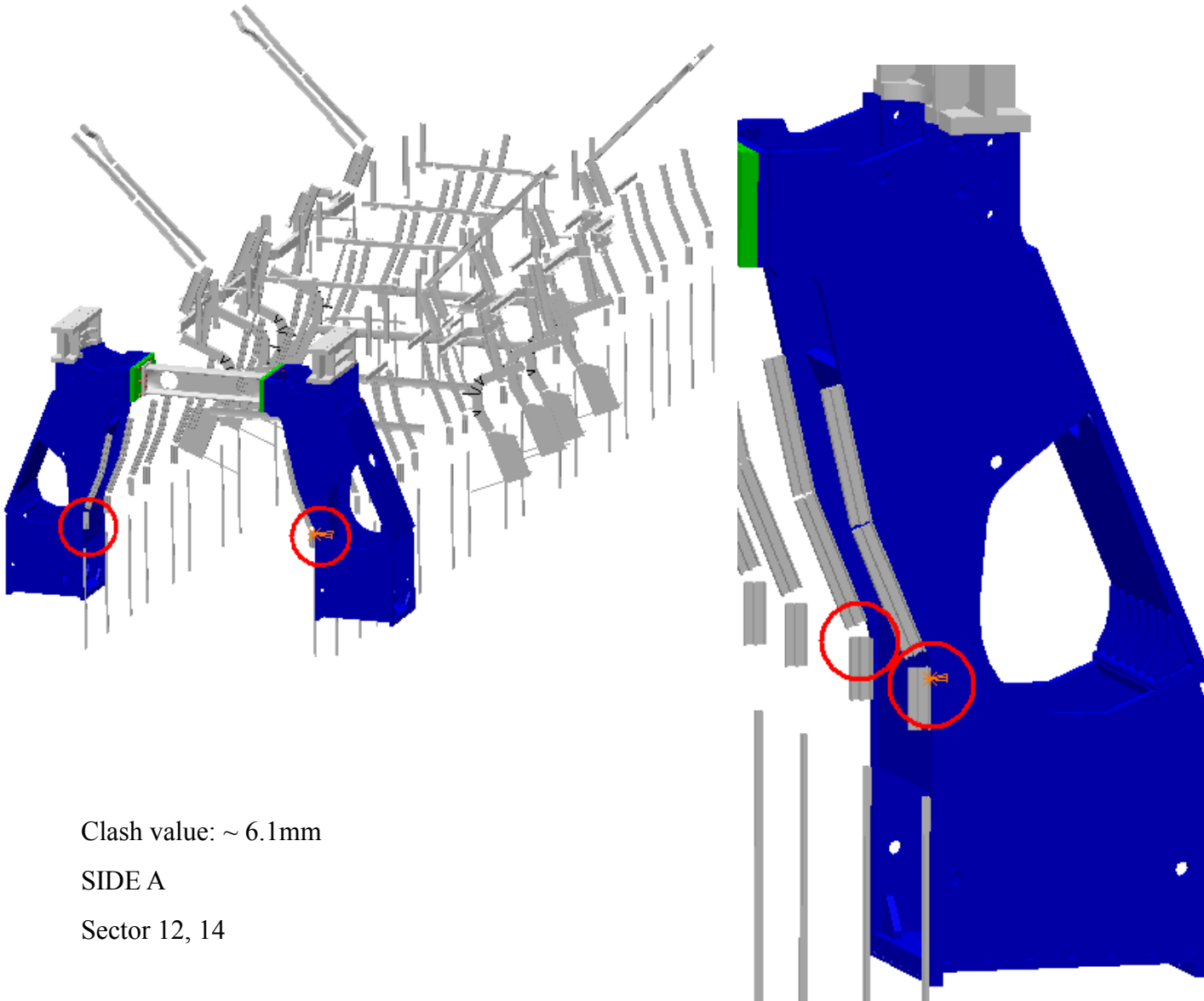
AT782722MQ - ALL CABLE TRAYS
/S.13/

VHB__0005 - EXTREMITY PAIR OF FEET A4 (C4) -
DETAILED MODEL FOR STANDARDS

Clash

-6.1 mm

Not Relevant



Clash value: ~ 6.1mm

SIDE A

Sector 12, 14

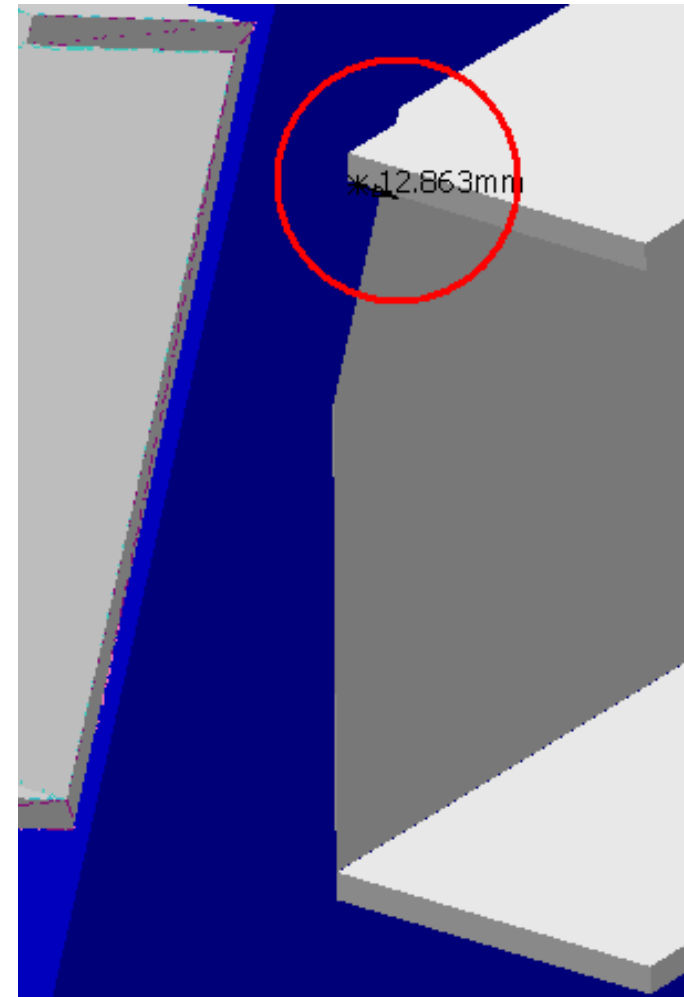
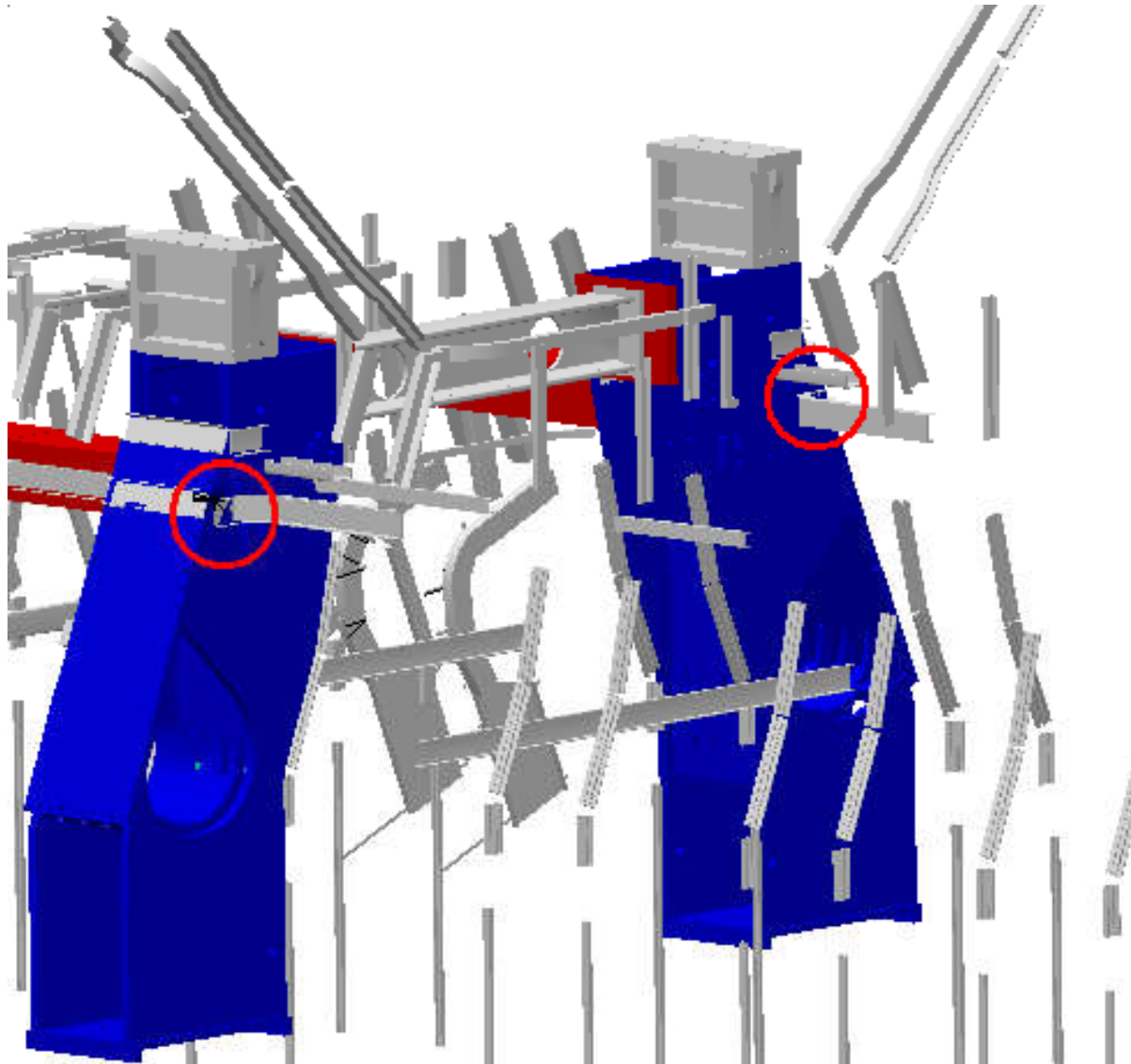
AT782722MQ - ALL CABLE TRAYS
/S.13/

ATCVHB_0002 M - STANDARD PAIR OF FEET A1
(C1) - DETAILED MODEL FOR STANDARDS

Clash

-12.8 mm

Not Relevant

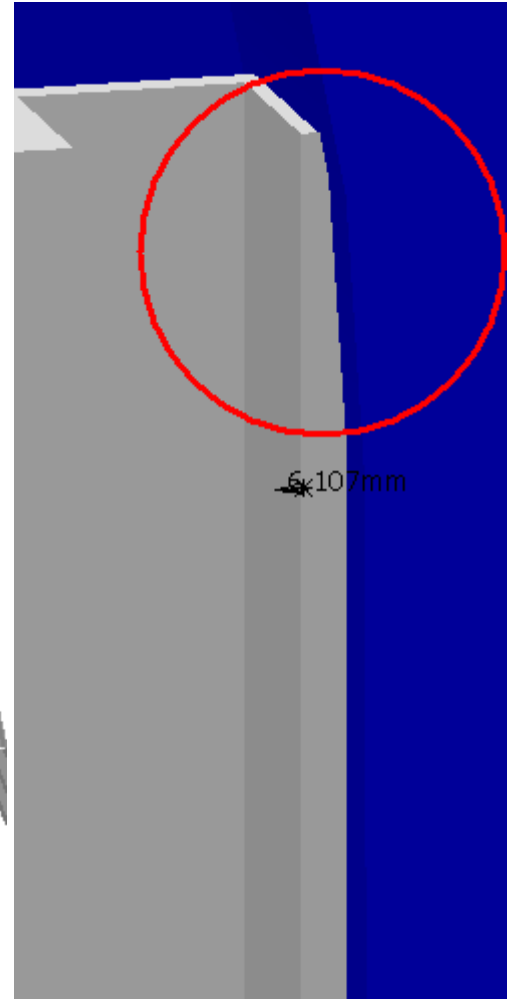
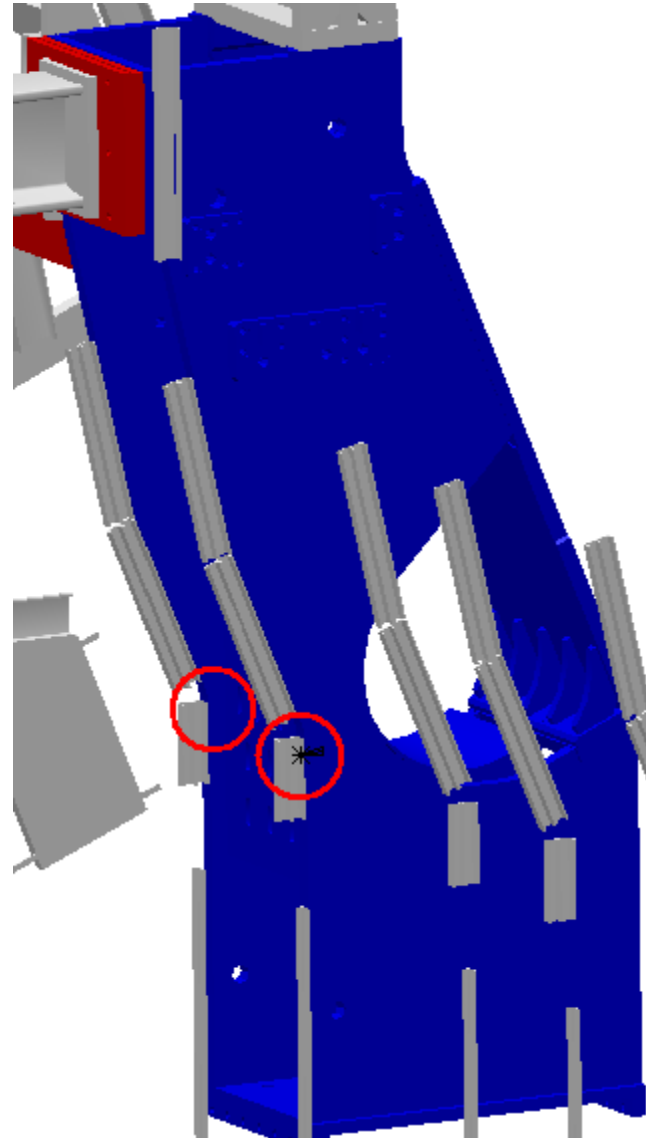
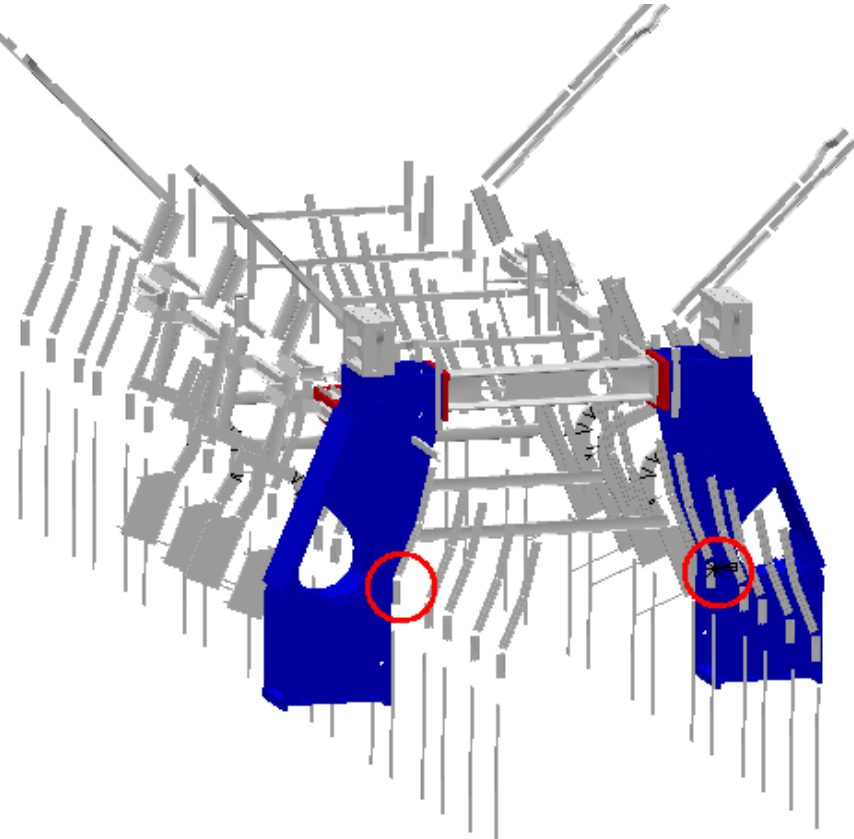


Clash value: ~ 12.8 mm

SIDE C

Sector 12, 14

| | | | | |
|-------------------------------------|--|-------|---------|--------------|
| AT782722MQ - ALL CABLE TRAYS /S.13/ | ATCVHB_0003 M - STANDARD PAIR OF FEET A2 (C2) - DETAILED MODEL FOR STANDARDS | Clash | -6.1 mm | Not Relevant |
|-------------------------------------|--|-------|---------|--------------|



Clash value: ~ 6.1 mm
SIDE C
Sector 12, 14

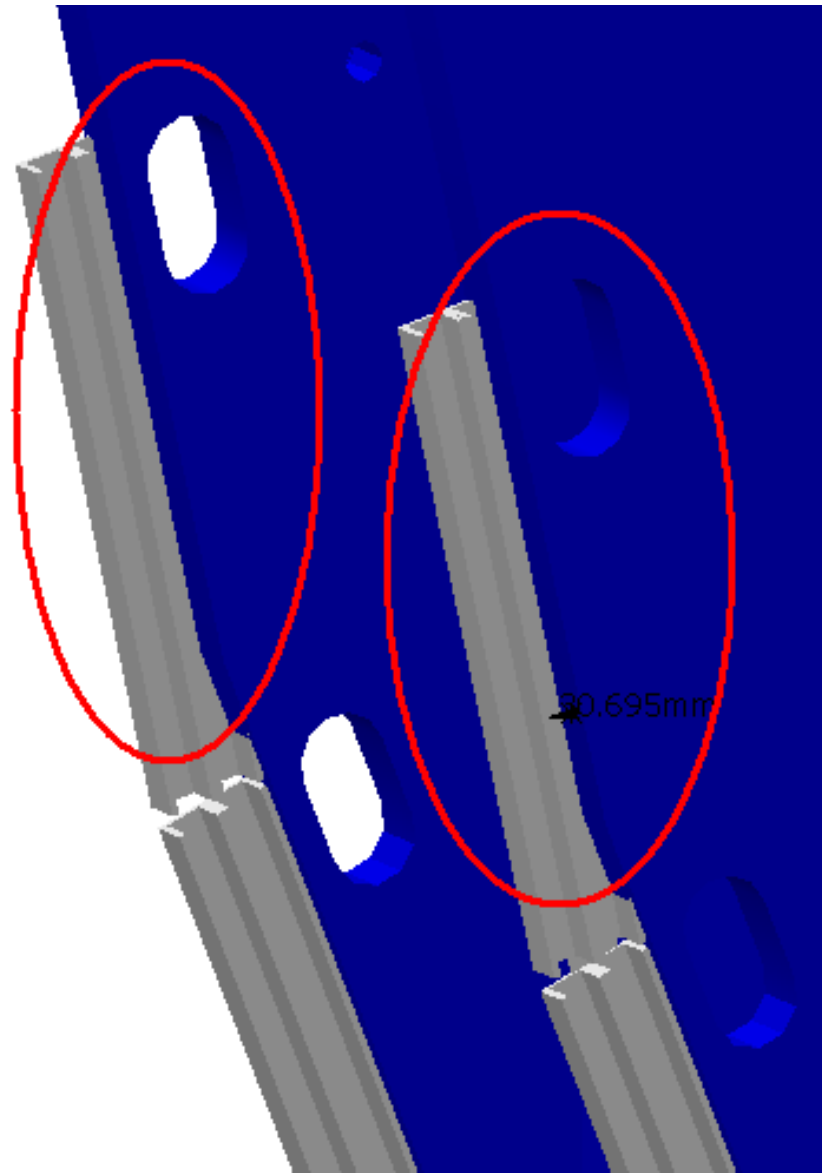
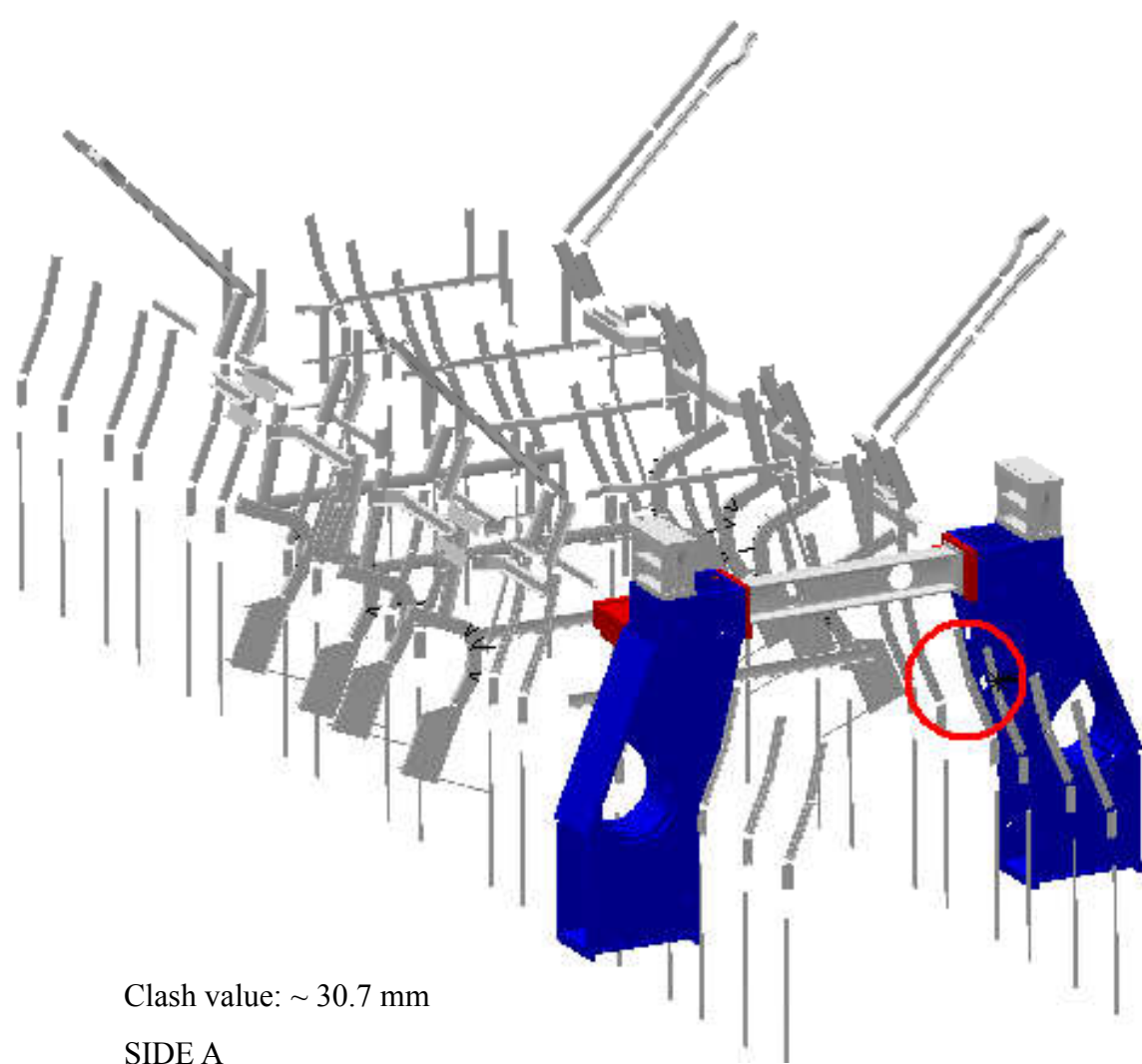
AT782722MQ - ALL CABLE TRAYS /S.13/

ATCVHB_0004 M - STANDARD PAIR OF FEET A3 (C3) - DETAILED MODEL FOR STANDARDS

Clash

-30.7 mm

Relevant

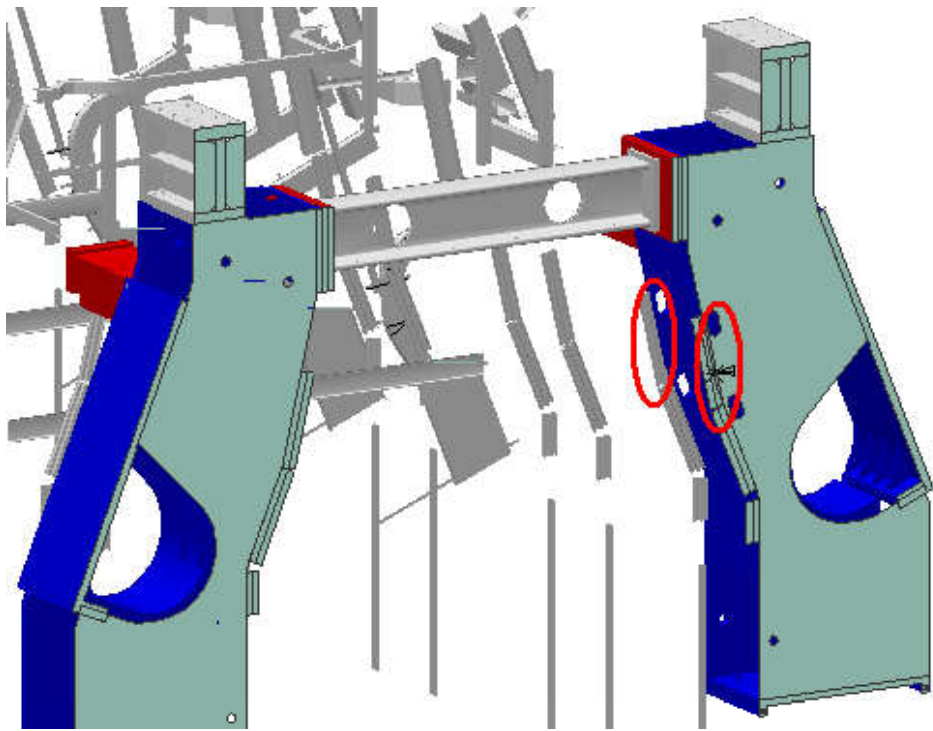


Clash value: ~ 30.7 mm

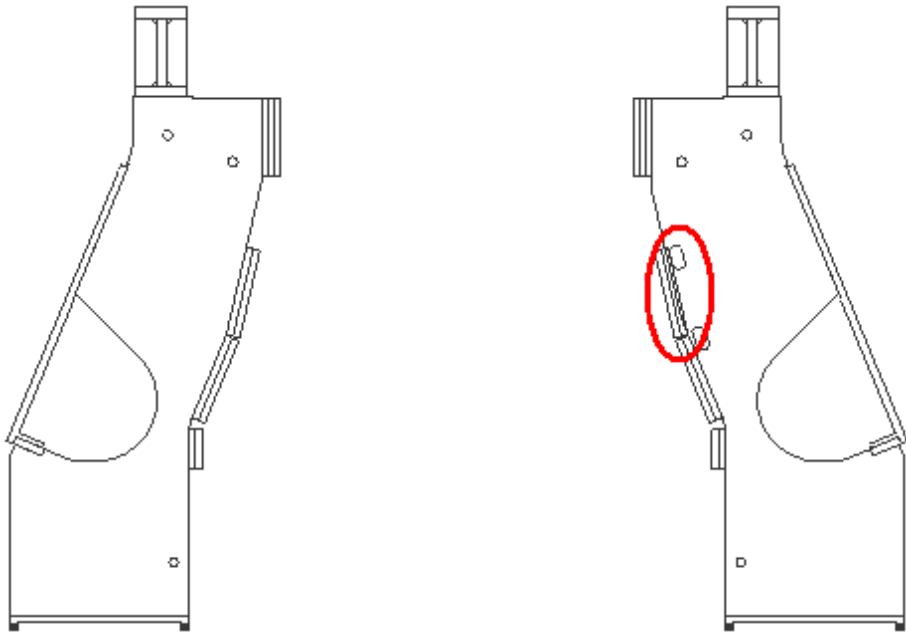
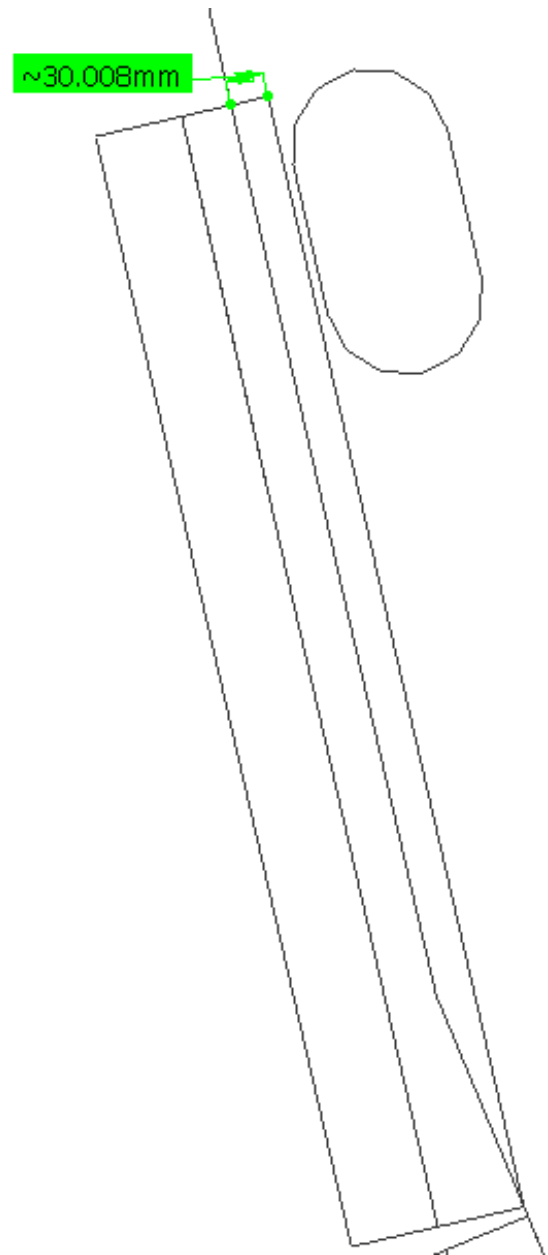
SIDE A

Sector 12

Clash View:



~30.008mm



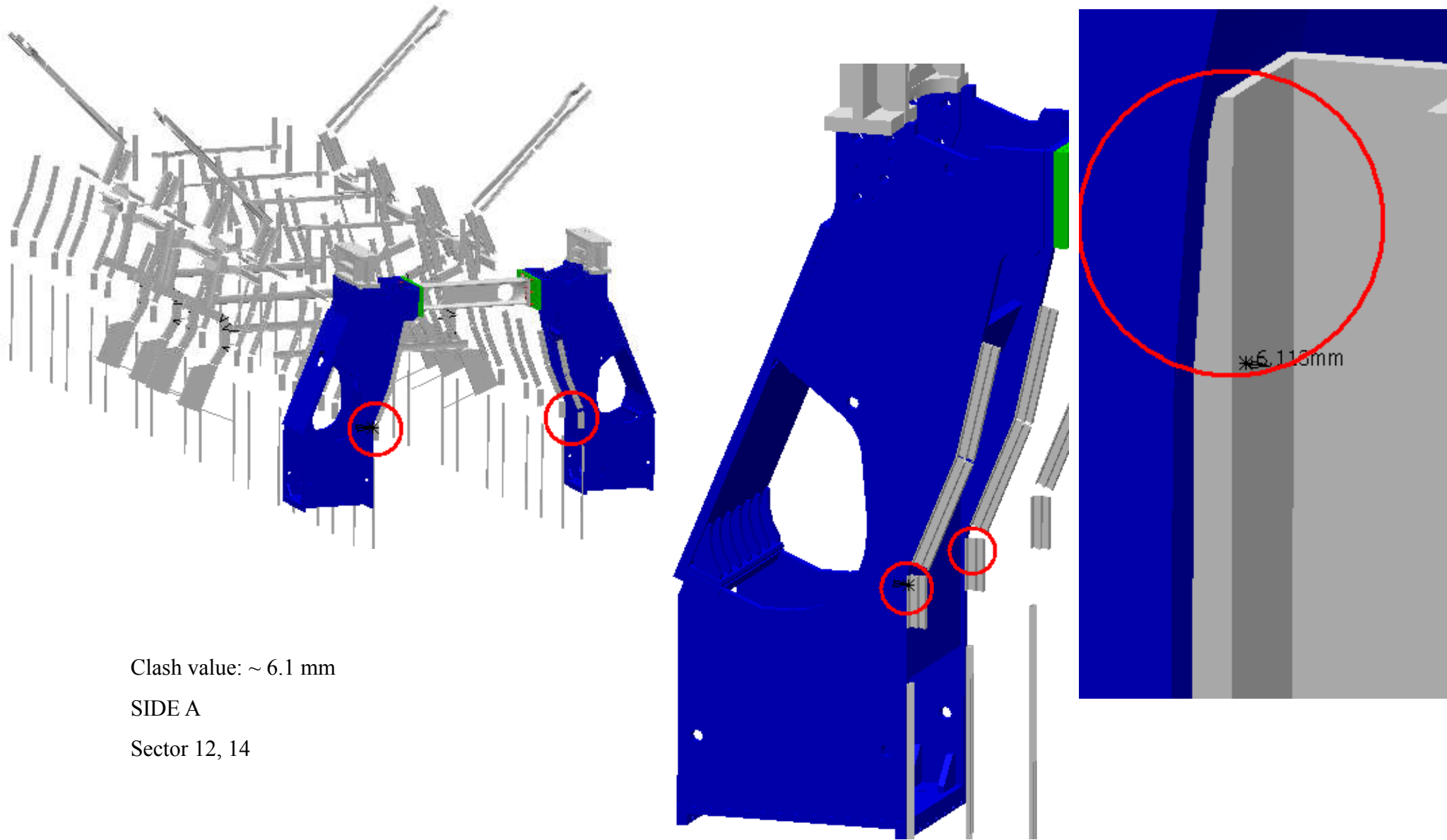
AT782722MQ - ALL CABLE TRAYS /S.13/

ATCVHB_0005 M - EXTREMITY PAIR OF FEET A4
(C4) - DETAILED MODEL FOR STANDARDS

Clash

-6.1 mm

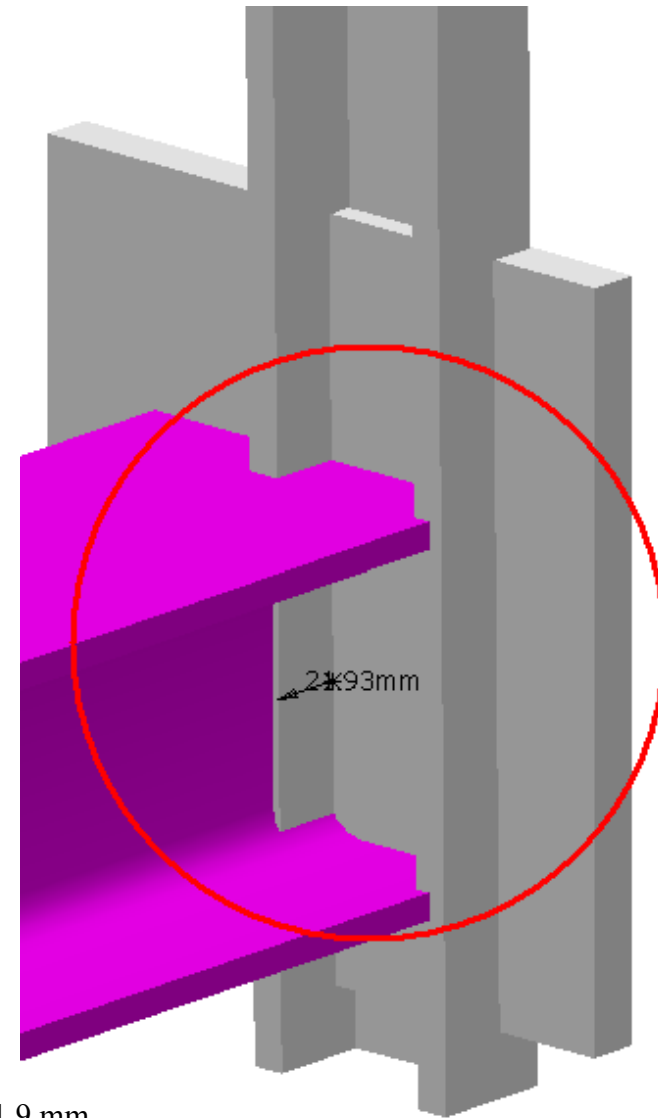
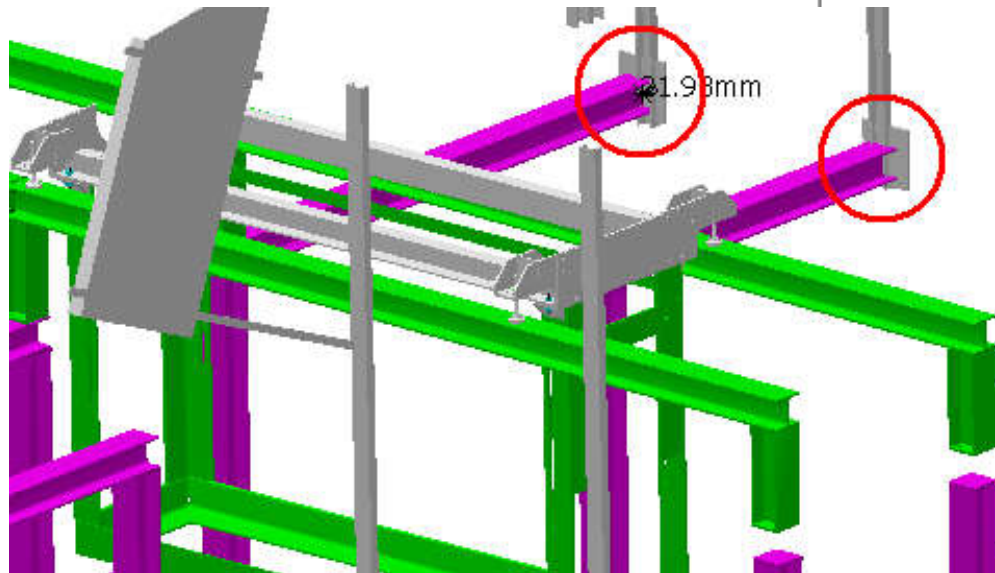
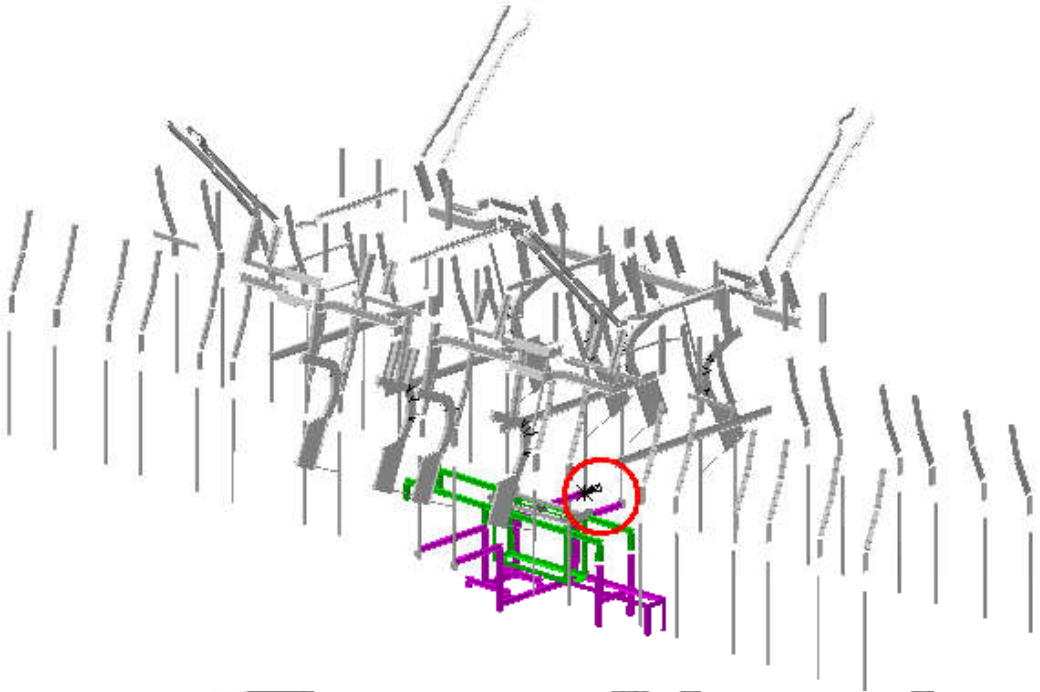
Not Relevant



Clash value: ~ 6.1 mm

SIDE A

Sector 12, 14

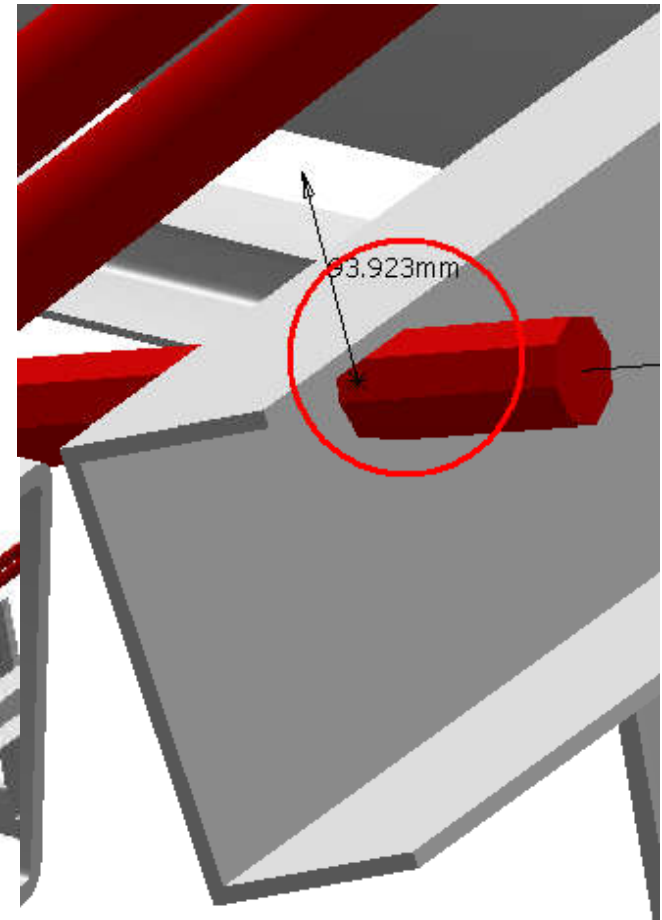
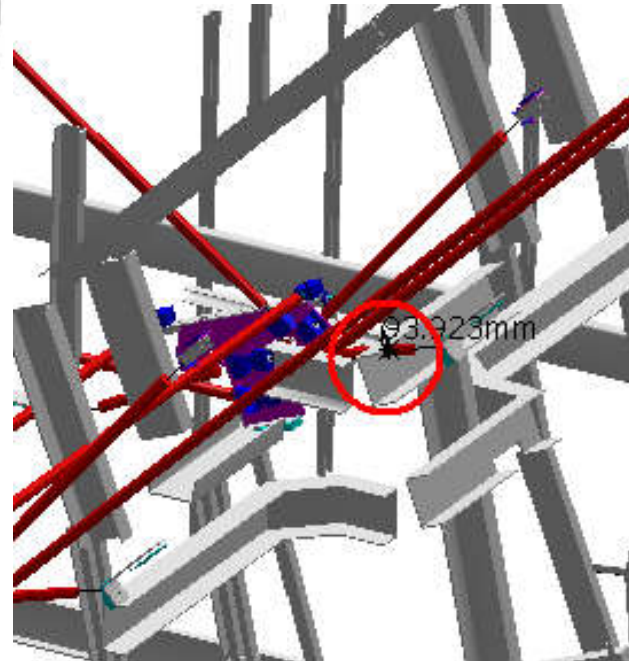
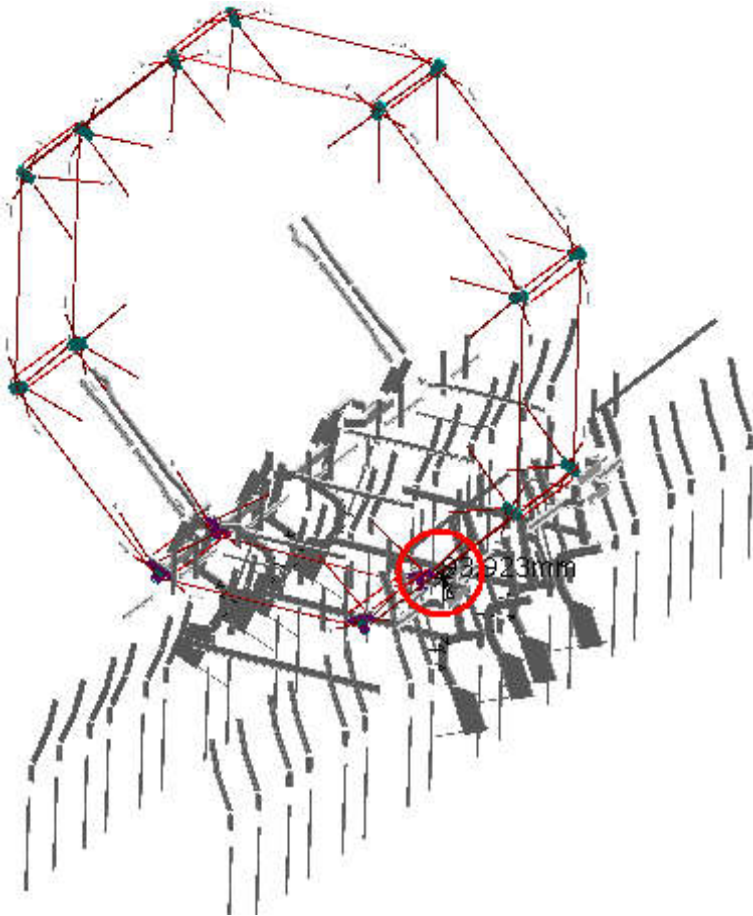


Clash value: ~ 21.9 mm

SIDE A-C

Sector 12, 14

| | | | | |
|-------------------------------------|--|-------|----------|----------|
| AT782722MQ - ALL CABLE TRAYS /S.13/ | AT672141MQ - FM-ENREF-A CH-TO-CH Align All Sectors | Clash | -93.9 mm | Relevant |
|-------------------------------------|--|-------|----------|----------|

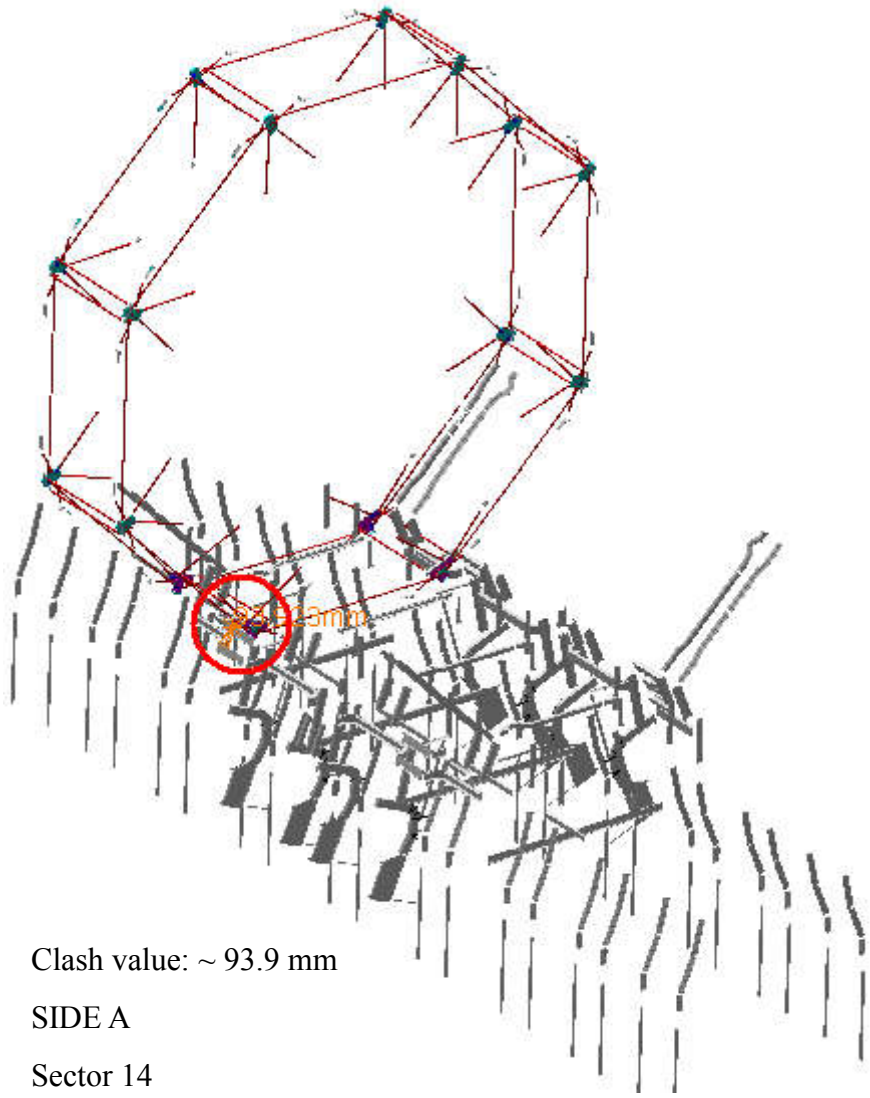


Clash value: ~ 93.9 mm

SIDE C

Sector 12

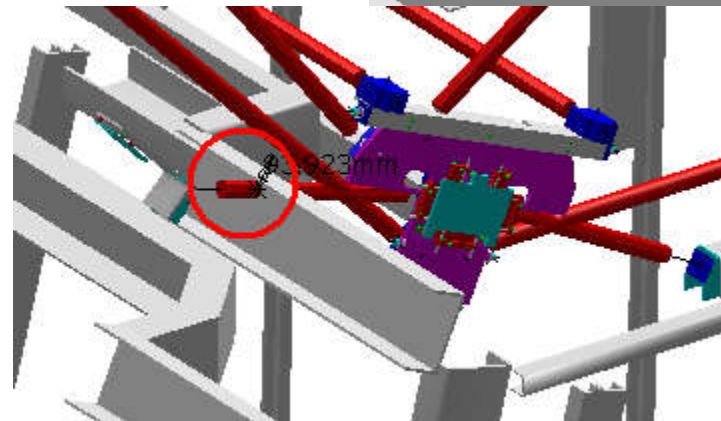
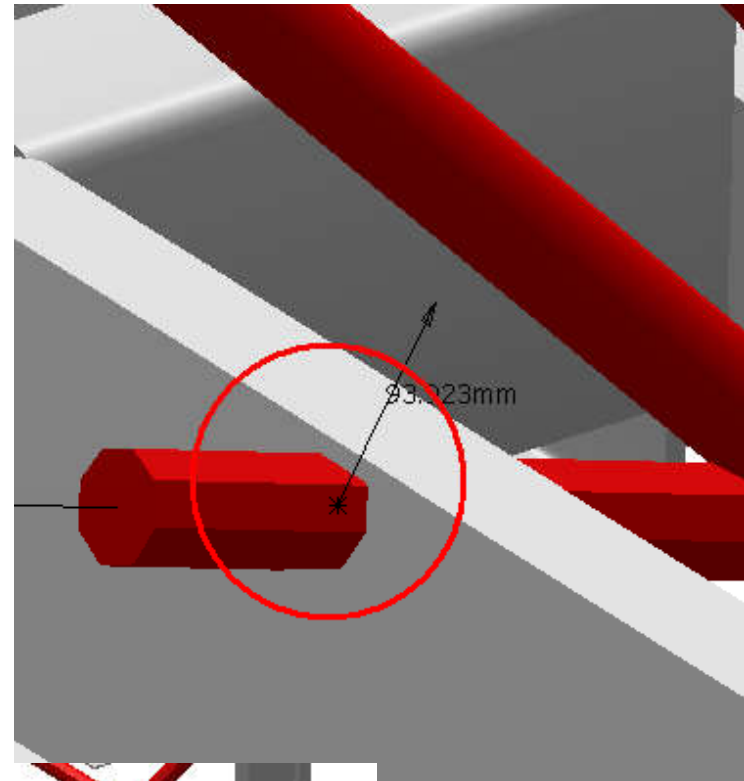
| | | | | |
|-------------------------------------|--|-------|----------|----------|
| AT782722MQ - ALL CABLE TRAYS /S.13/ | AT672142MQ - FM-ENREF-C CH-TO-CH Align All Sectors | Clash | -93.9 mm | Relevant |
|-------------------------------------|--|-------|----------|----------|



Clash value: ~ 93.9 mm

SIDE A

Sector 14



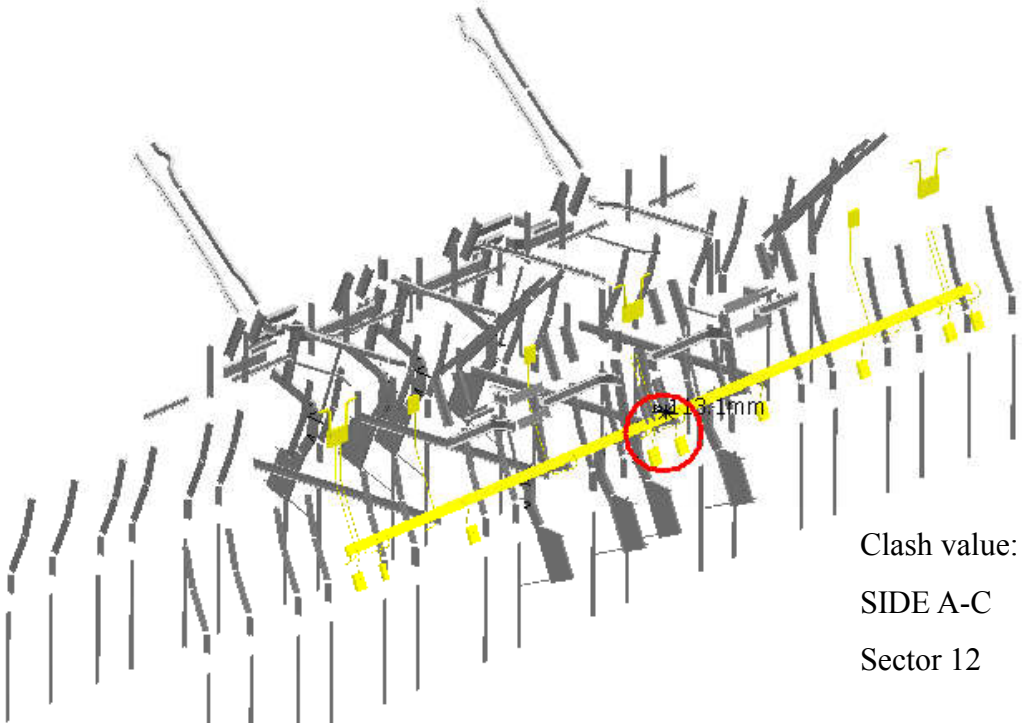
AT782722MQ - ALL CABLE TRAYS /S.13/

NSM_0015 - BT HEATER BOXES AND CABLES -
FOR FOOT REGION

Clash

-113.1 mm

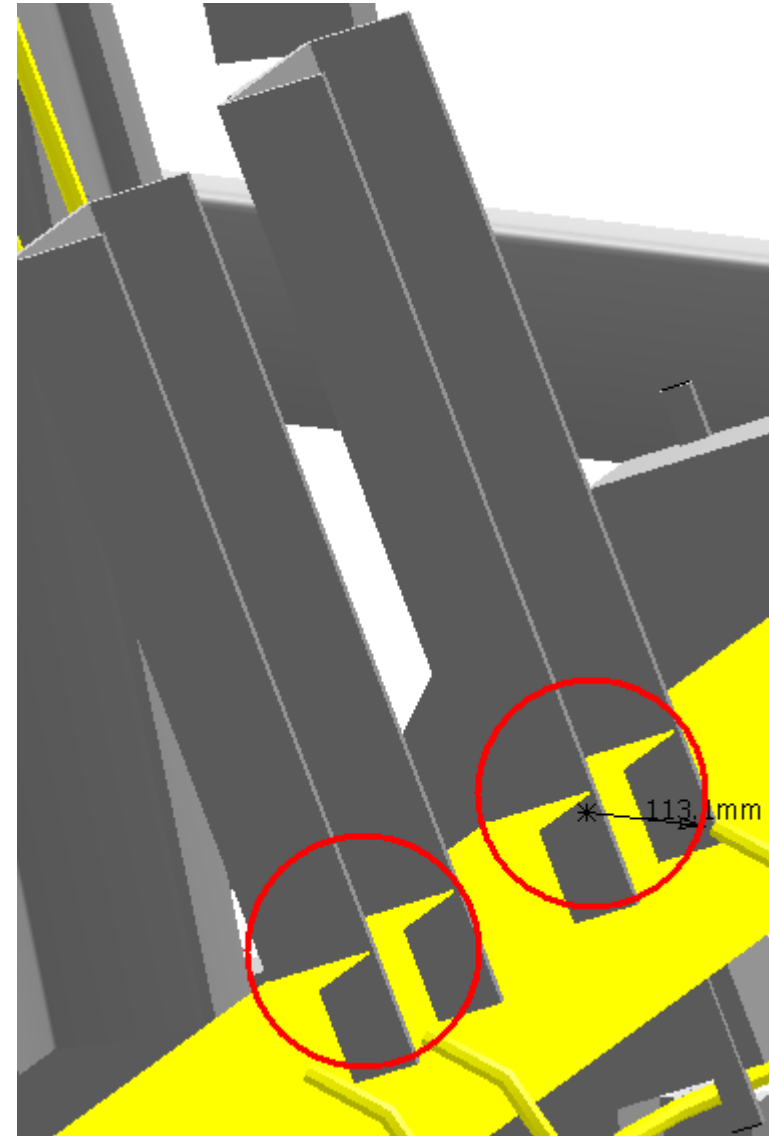
Relevant



Clash value: ~ 113.1 mm

SIDE A-C

Sector 12



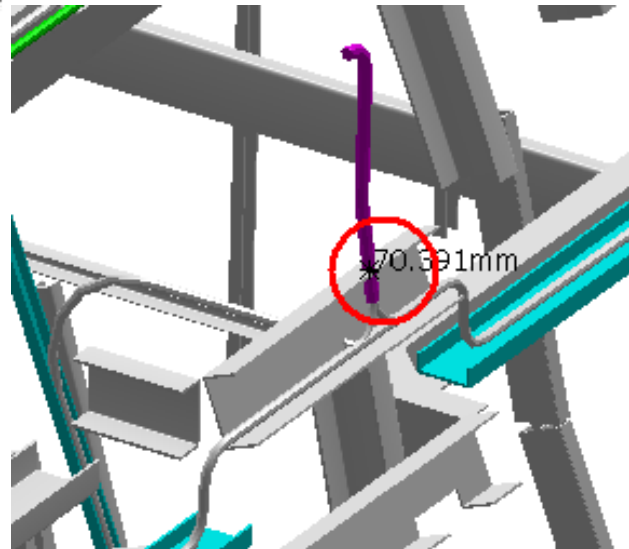
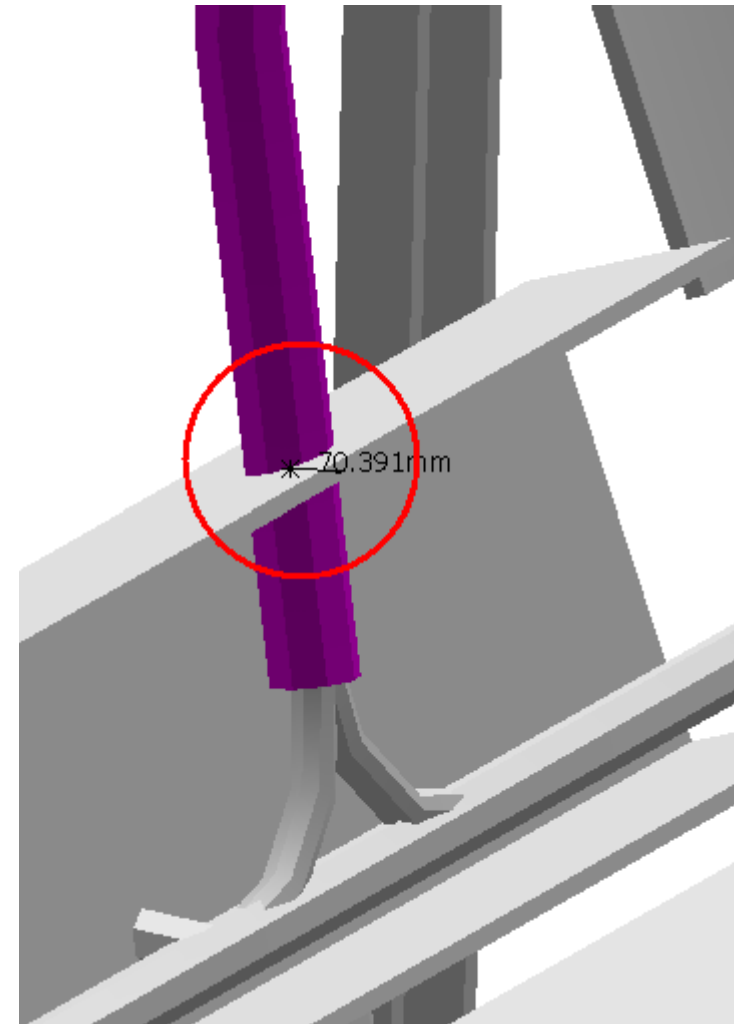
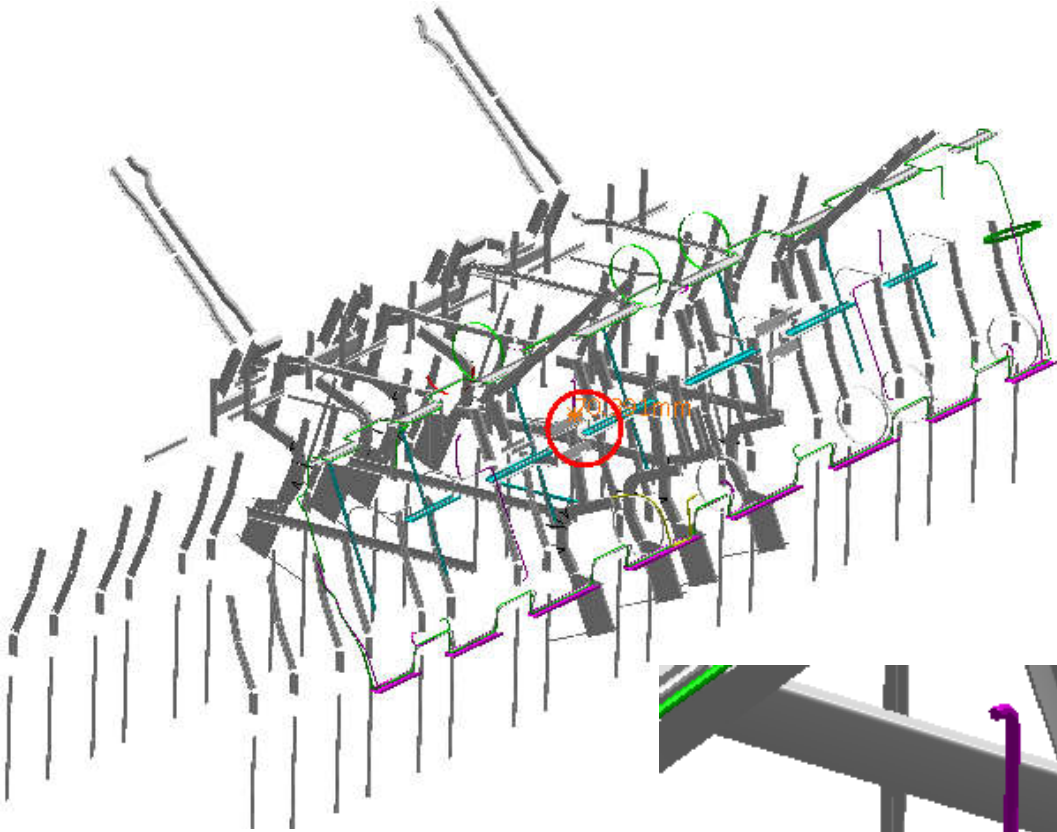
AT782722MQ - ALL CABLE TRAYS /S.13/

NSM__0016 - BT HEATER CABLE DISTRIBUTION -
FOR FOOT REGION

Clash

-70.4 mm

Not Relevant



Clash value: ~ 70.4 mm

SIDE C

Sector 12

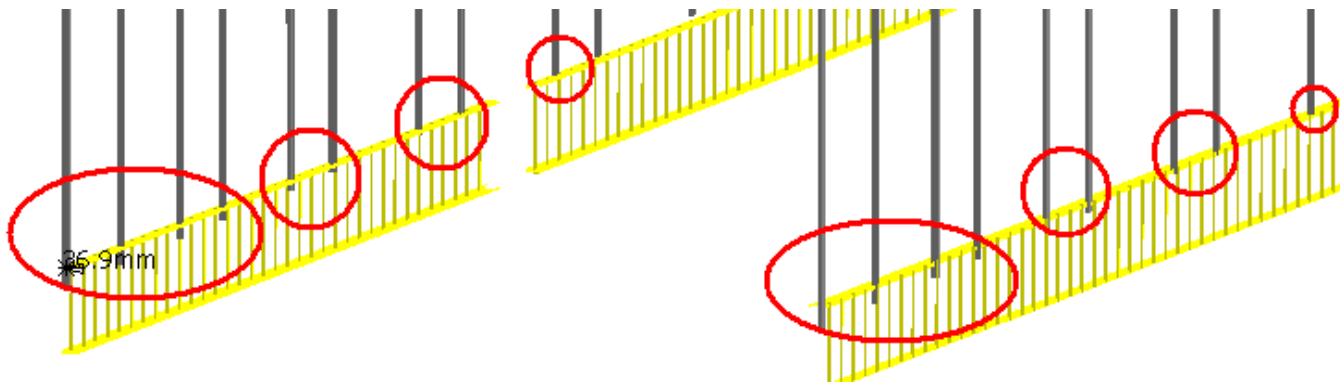
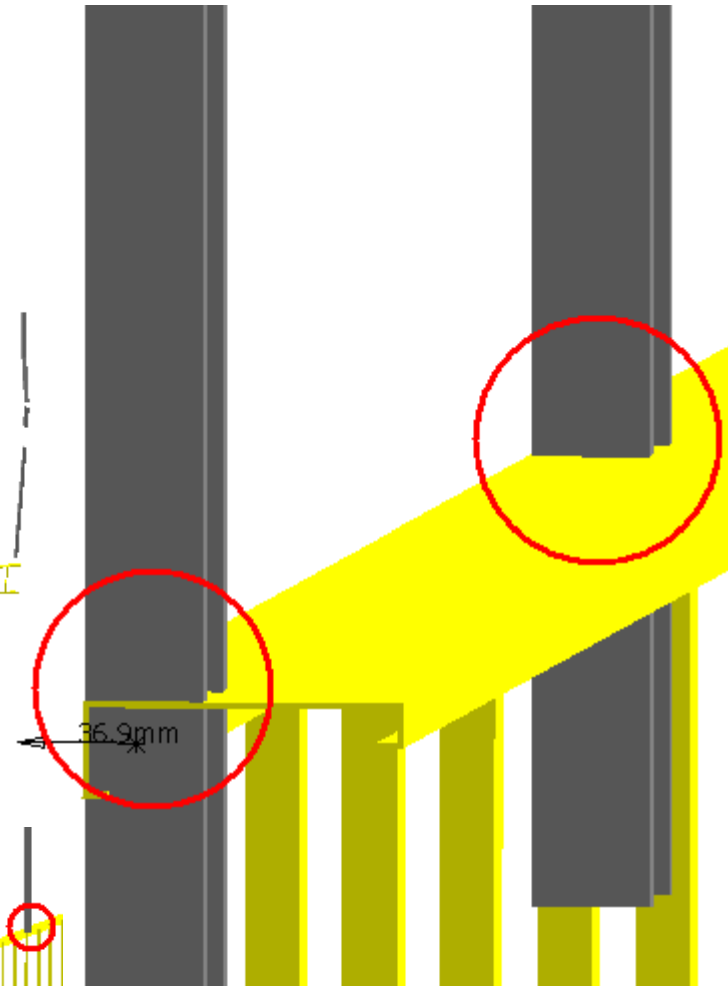
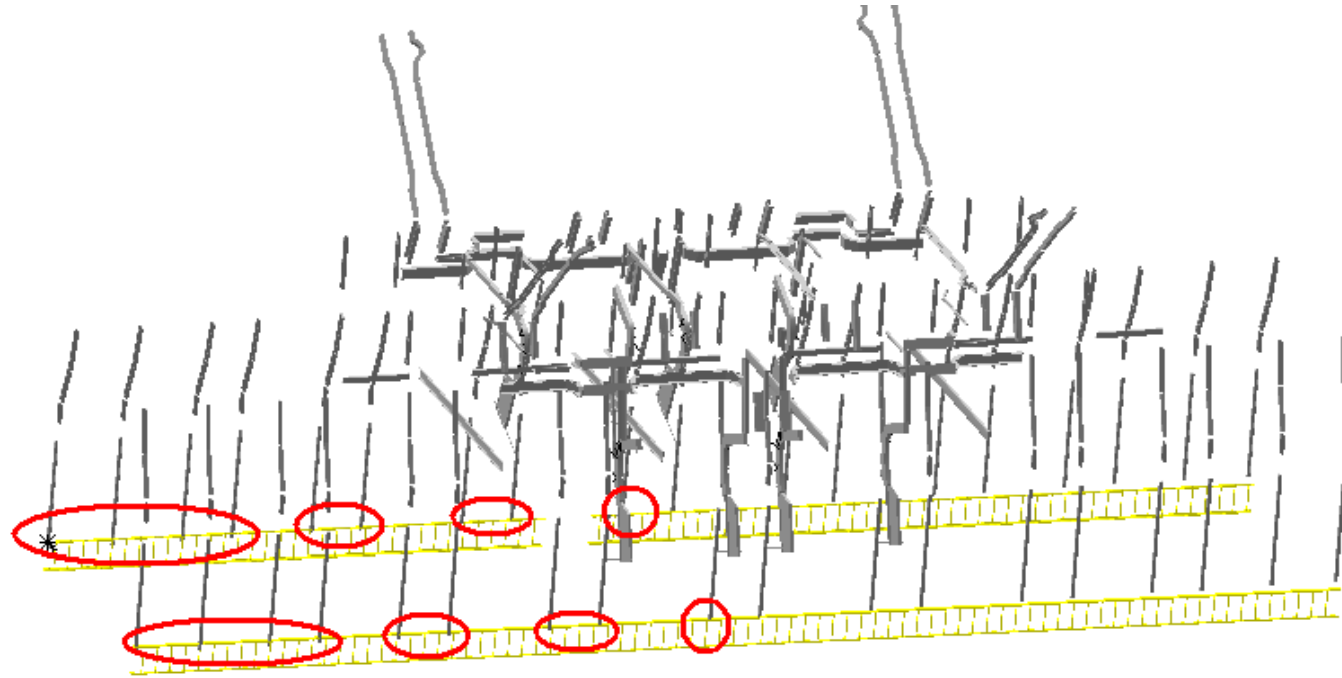
AT782722MQ - ALL CABLE TRAYS /S.13/

NSR_0014 - CABLE TRAYS FOR MUON SERVICES
- LEVEL 1 SECTOR 13 SIDE A,C

Clash

-36.9 mm

Not Relevant

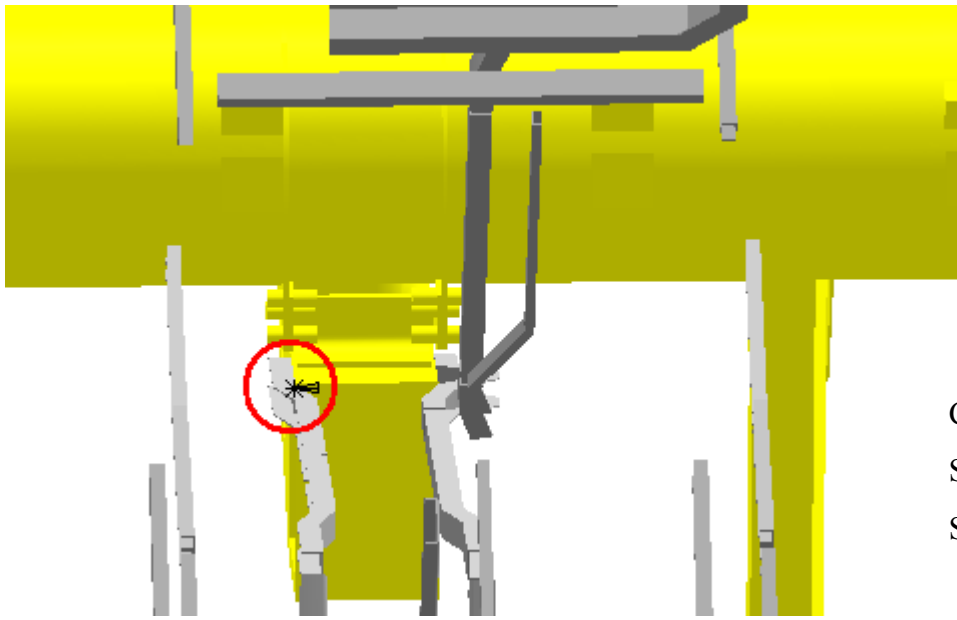
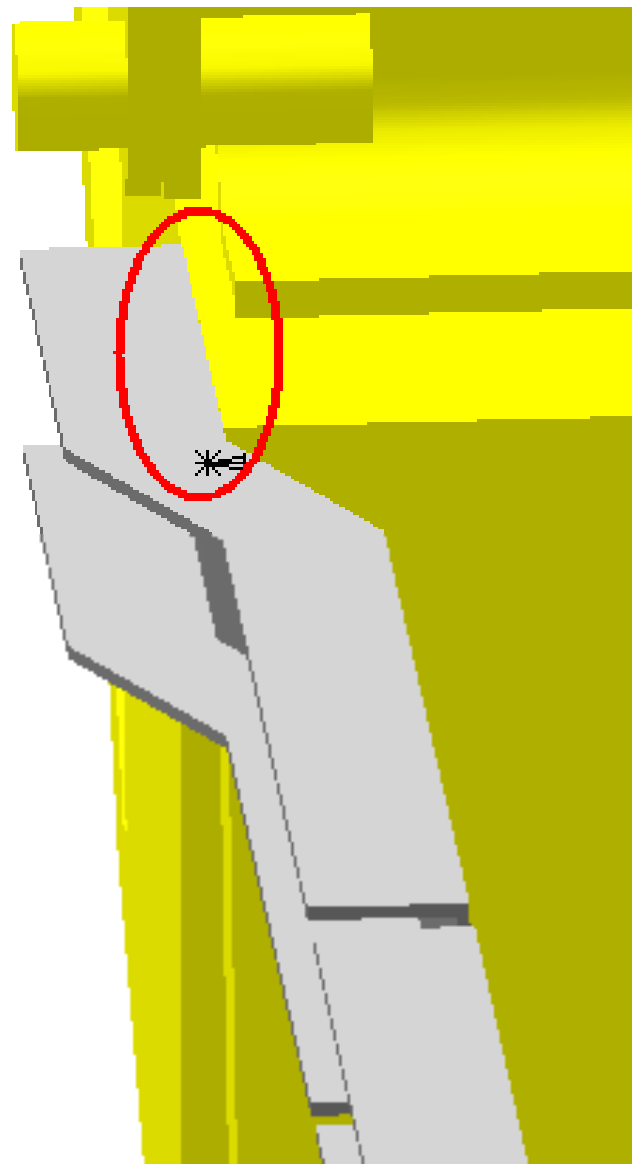
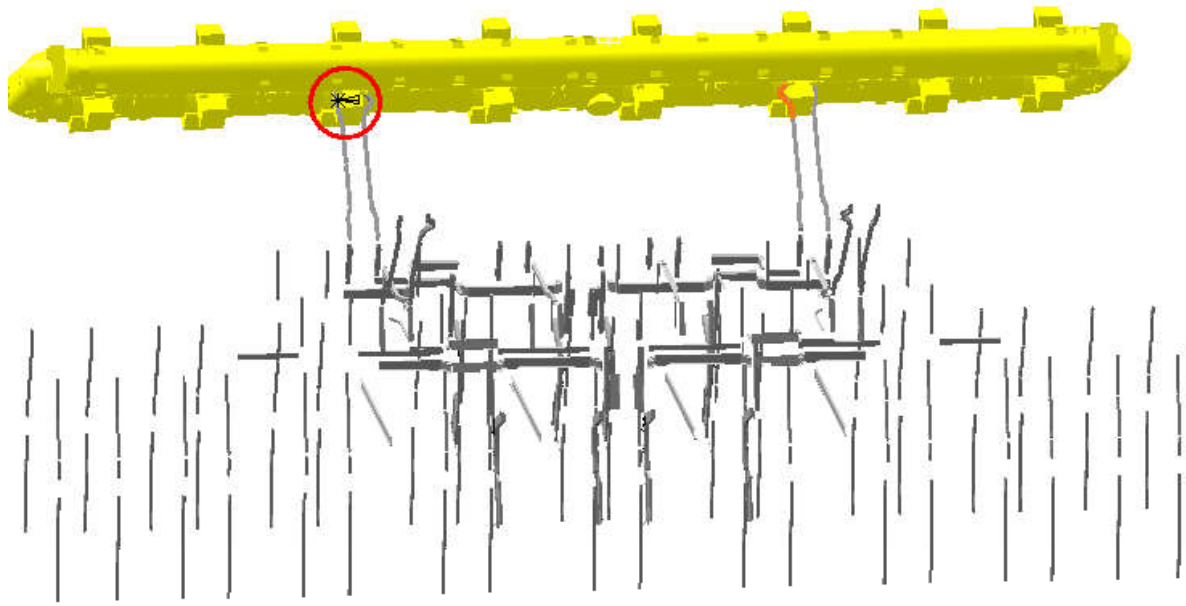


Clash value: ~ 36.9 mm

SIDE A

Sector 12, 14

| | | | | |
|-------------------------------------|--|-------|-----------|--------------|
| AT782722MQ - ALL CABLE TRAYS /S.13/ | NTB_0001 BT10 - TB STANDARD COIL - SECTOR 10 | Clash | -0.035 mm | Not Relevant |
|-------------------------------------|--|-------|-----------|--------------|



Clash value: ~ 0.035 mm
SIDE A
Sector 10

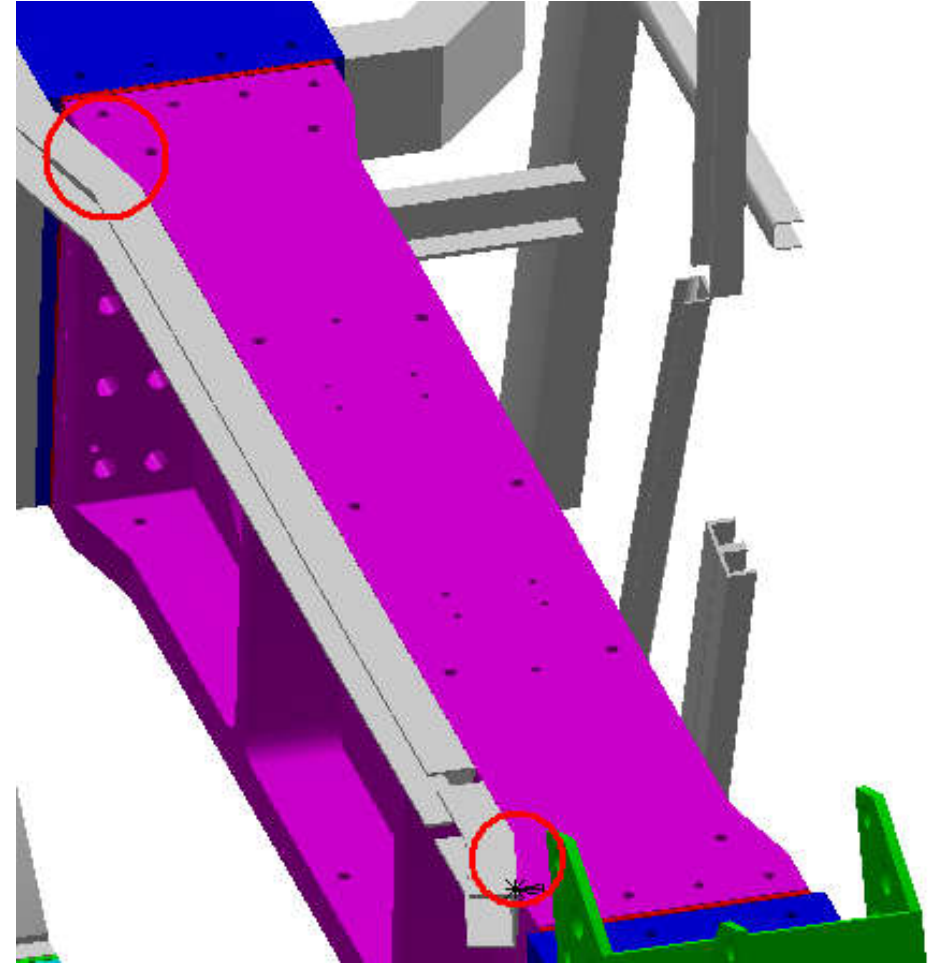
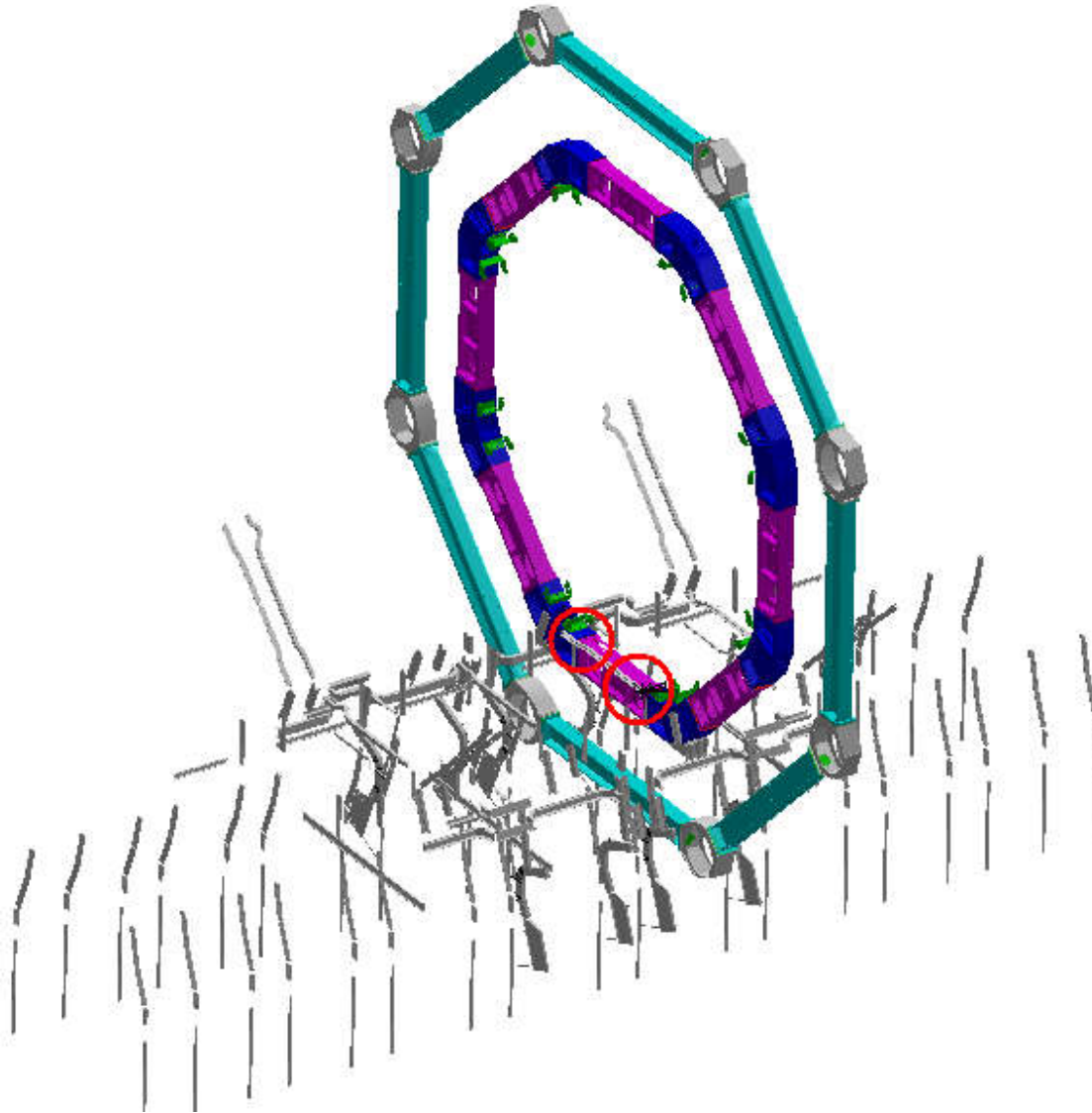
AT782722MQ - ALL CABLE TRAYS /S.13/

AT812126MQ - Warm Structure

Clash

-1.2 mm

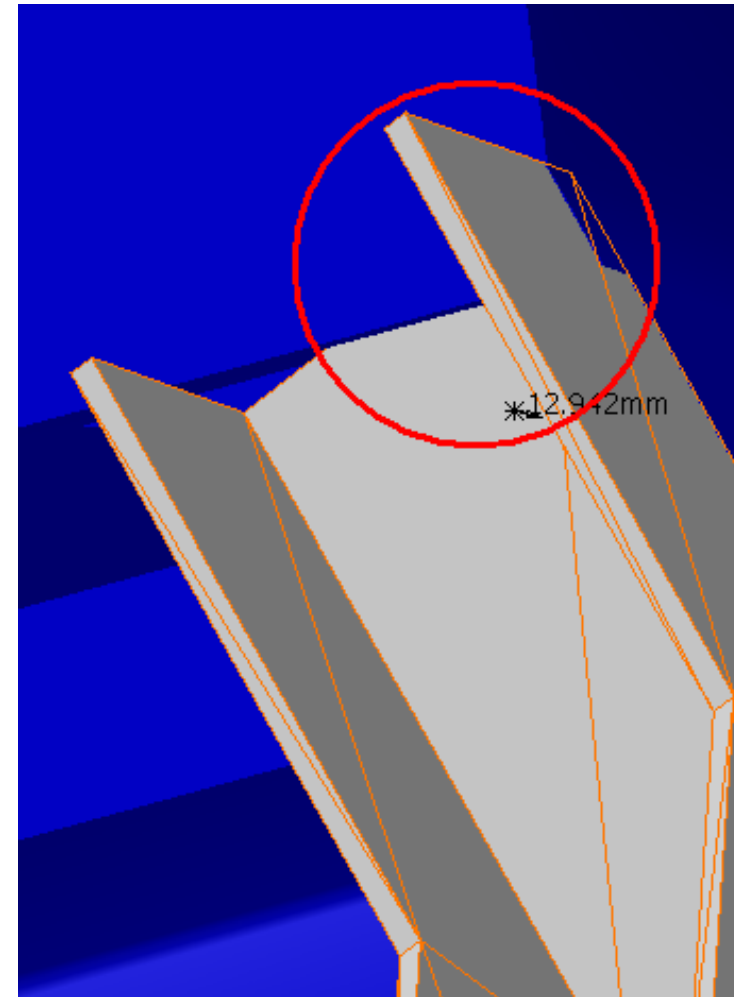
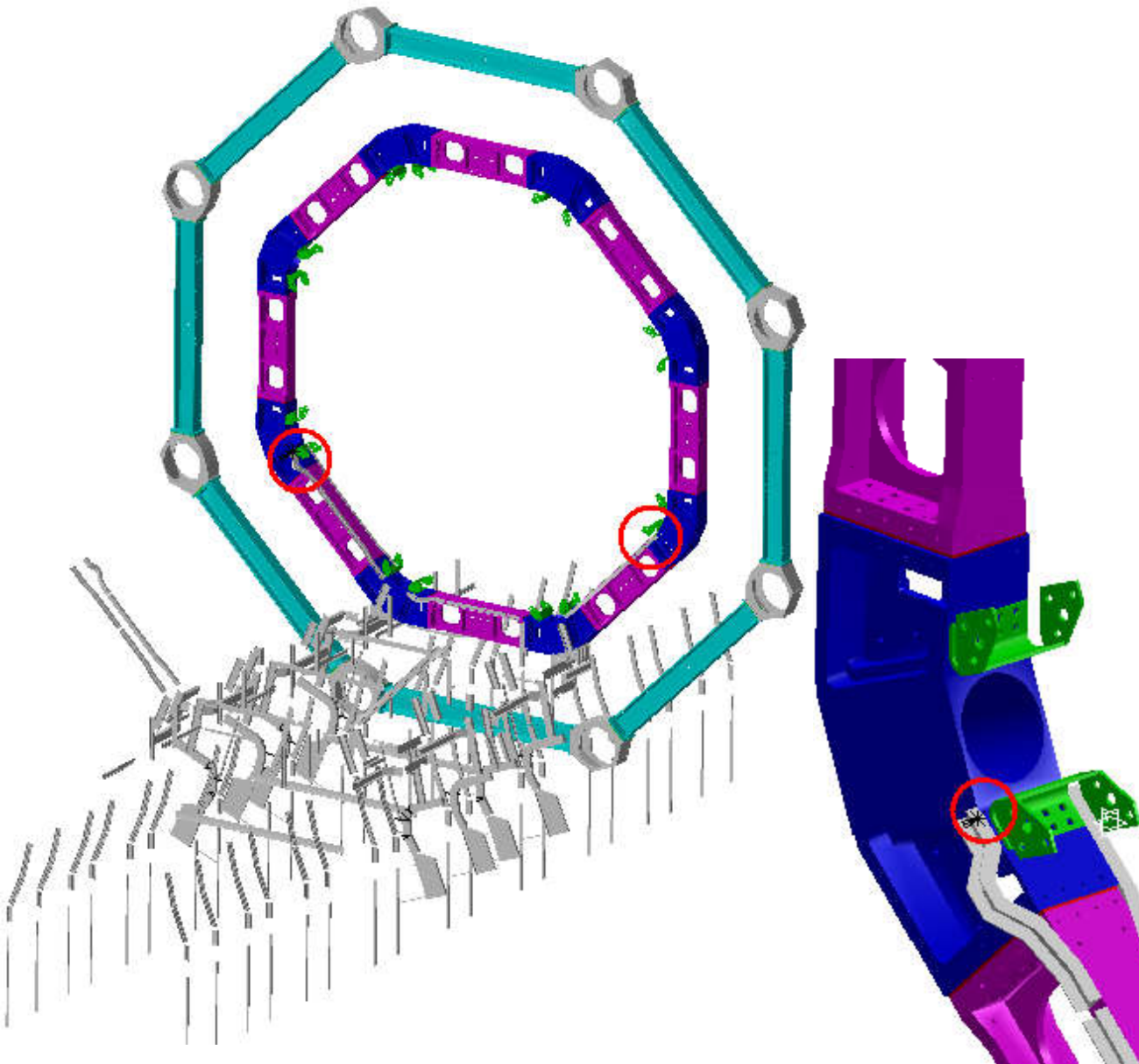
Not Relevant



Clash value: ~ 1.2 mm

SIDE A

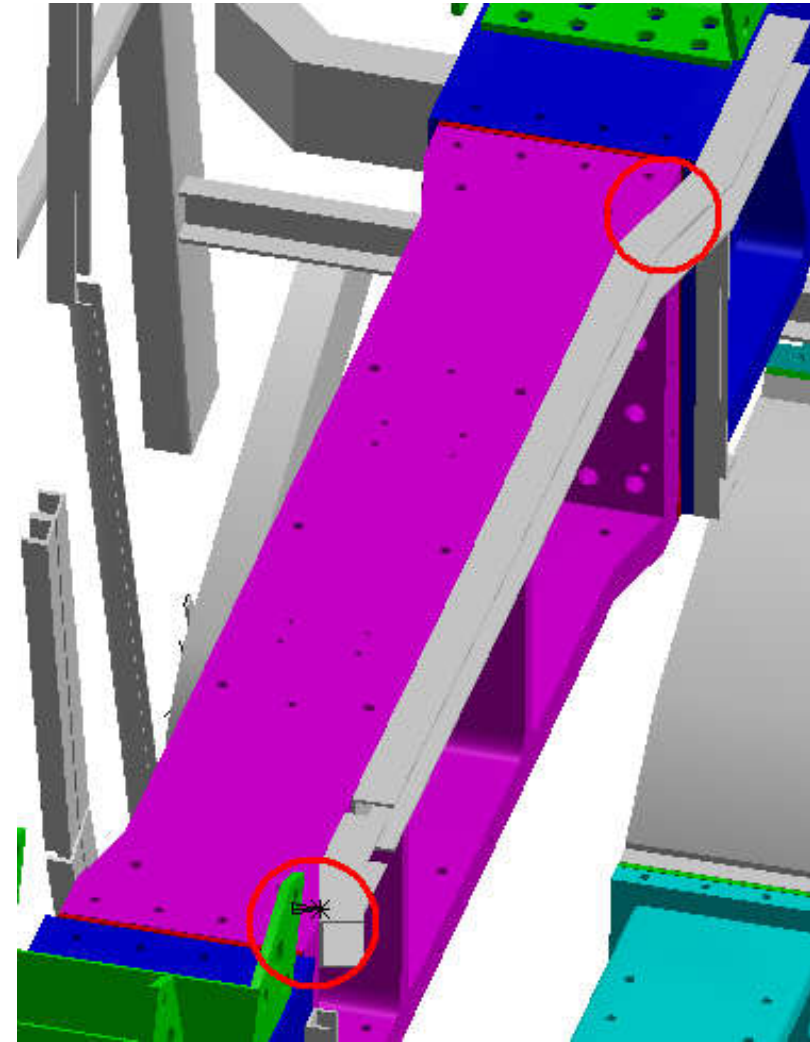
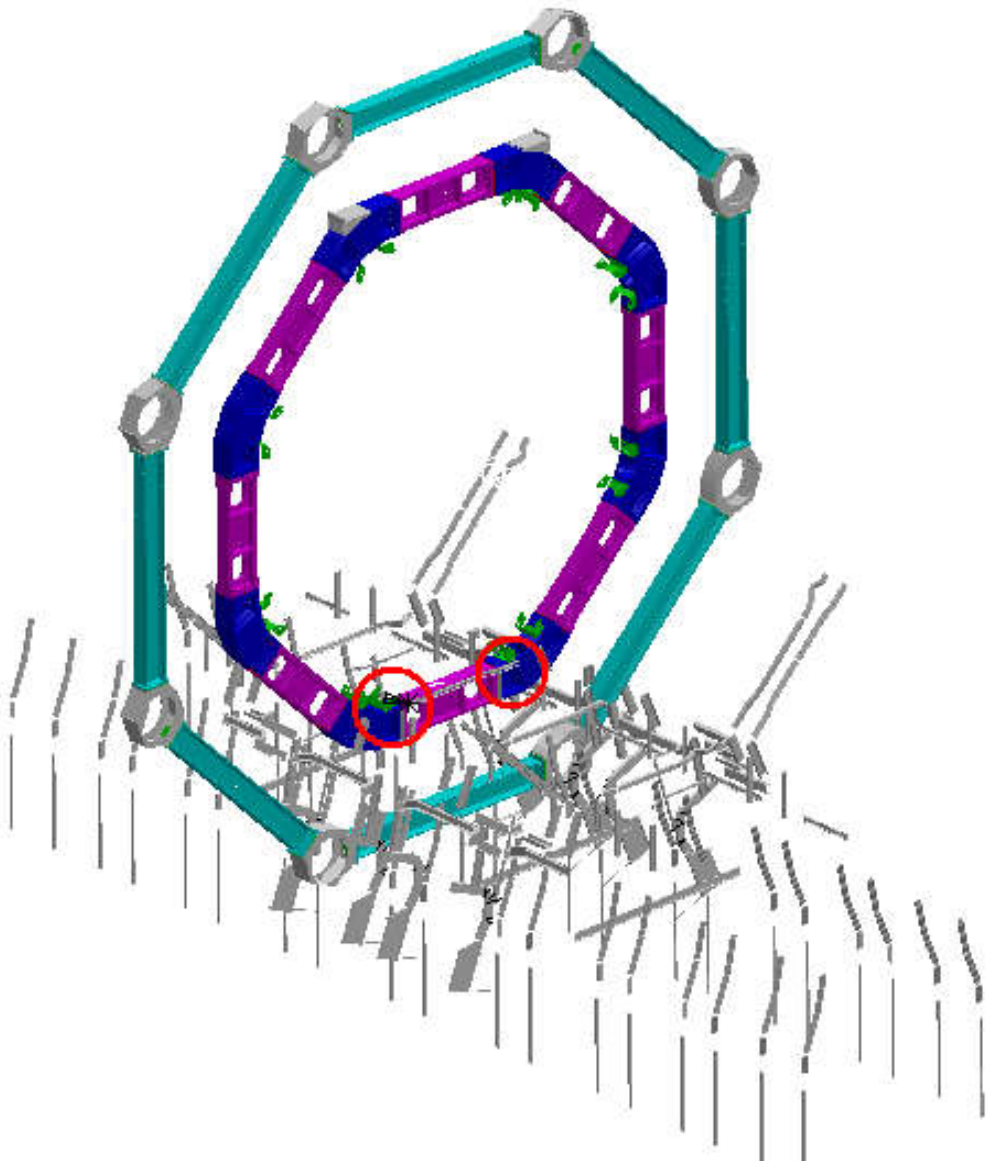
Sector 13



Clash value: ~ 12.9 mm

SIDE A

Sector 11, 15



Clash value: ~ 1.2 mm

SIDE C

Sector 13

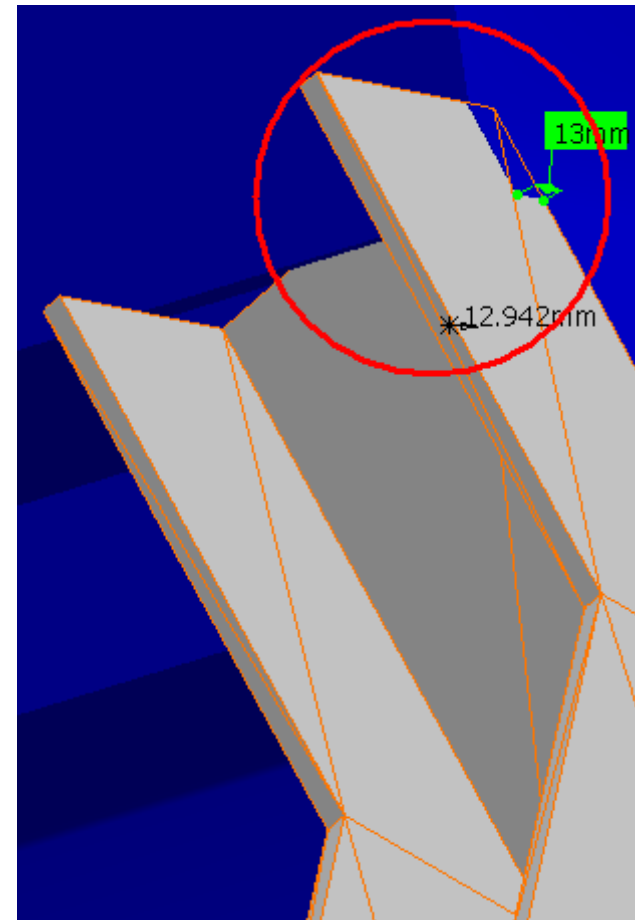
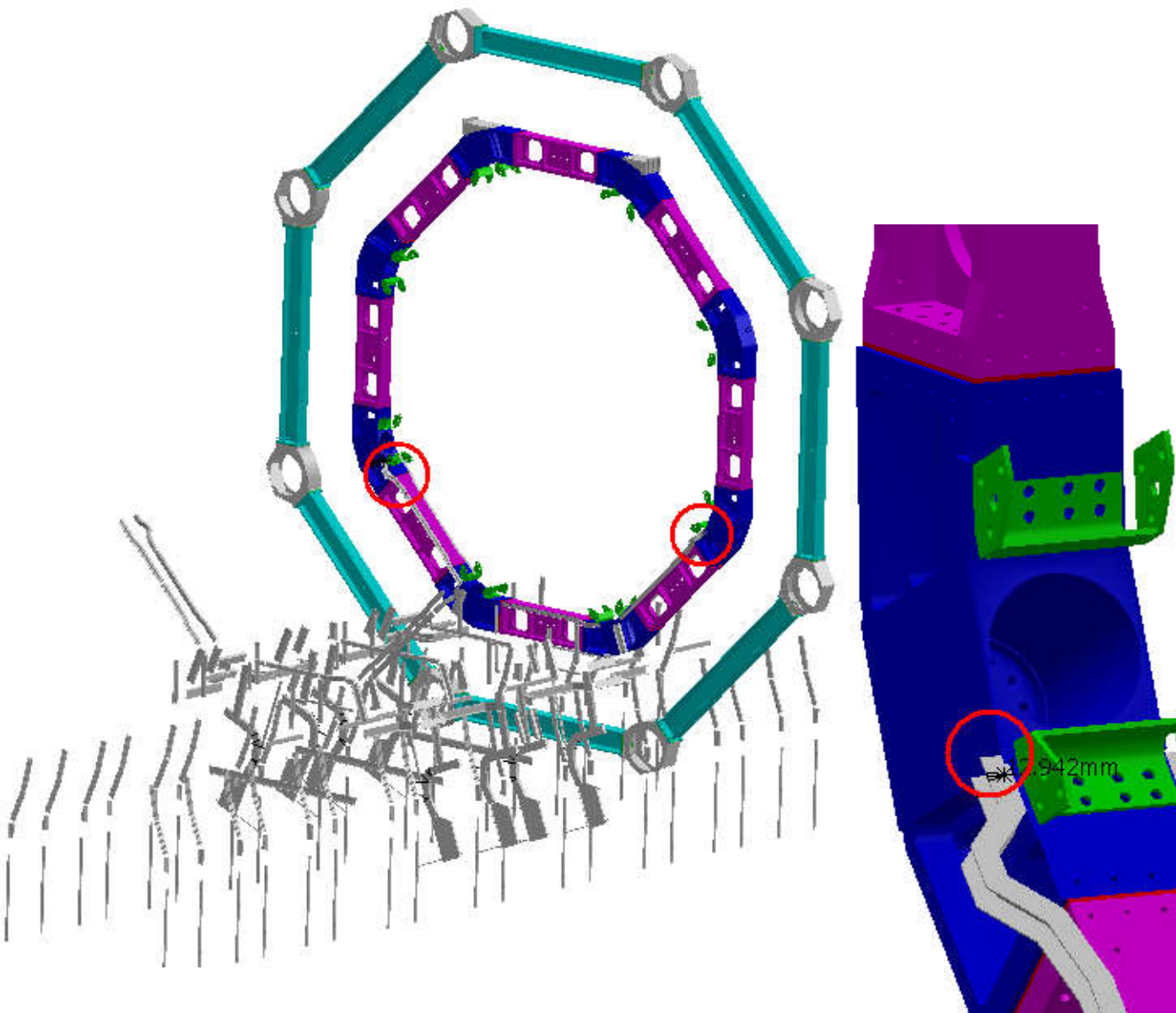
AT782722MQ - ALL CABLE TRAYS /S.13/

AT812127MQ-M - Warm Structure

Clash

-12.9 mm

Not Relevant



Clash value: ~ 12.9 mm

SIDE C

Sector 11, 15