

## Clash Publish



### Clash Computation Specification

Products Selected		Value	Status
AT782708MQ - PR: BIS,BIL_SECT7_8MANIFOLDS	NSE__0001 - FLEXIBLE SAFETY PIPE FOR - LAR END-CAP CALORIMETER	-57.4 mm	Relevant SOLVED !
	AT812126MQ - WARM STRUCTURE	-19.9 mm	Relevant SOLVED !
	AT812127MQ - WARM STRUCTURE	-19.9 mm	Relevant SOLVED !
	AT812126MQ-M - WARM STRUCTURE	-19.9 mm	Relevant SOLVED !
	AT812127MQ-M - WARM STRUCTURE	-19.9 mm	Relevant SOLVED !

RELEVANT

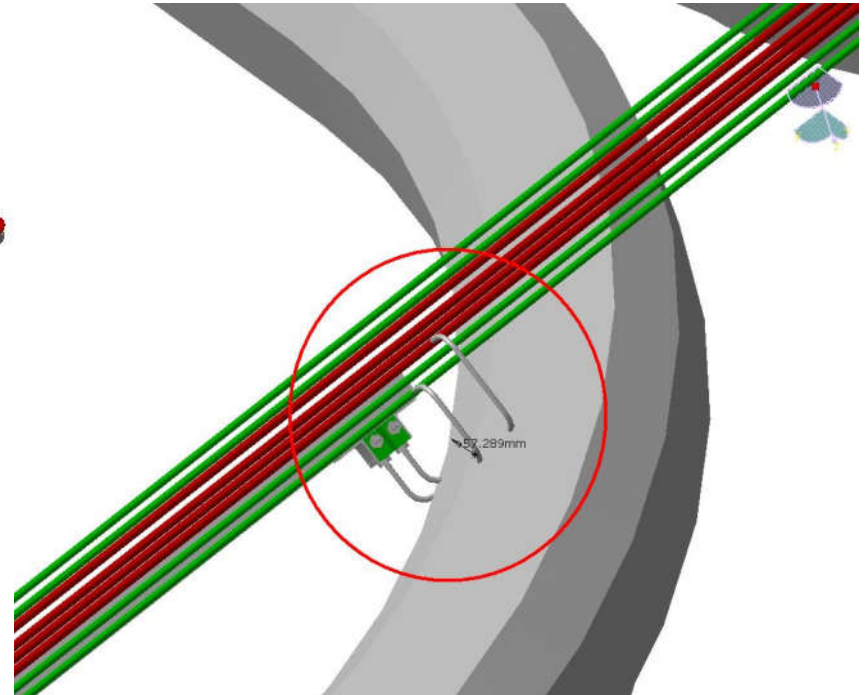
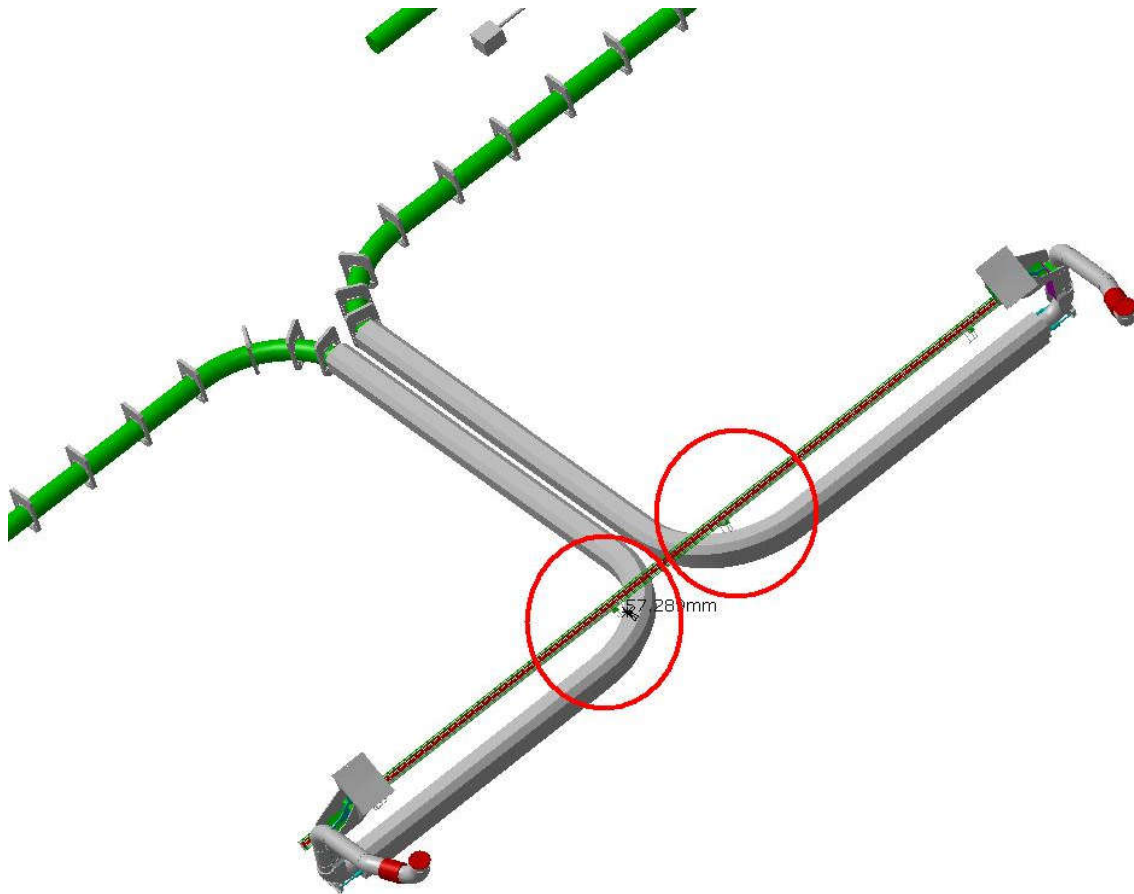
AT782708MQ - PR:  
BIS,BIL\_SECT7\_8MANIFOLDS

ATCNSE\_0001 - FLEXIBLE SAFETY PIPE FOR - LAR  
END-CAP CALORIMETER

Clash

57.2 mm

SOLVED !



Clash value: ~ 57.2 mm

SIDE A,B

Sector 1

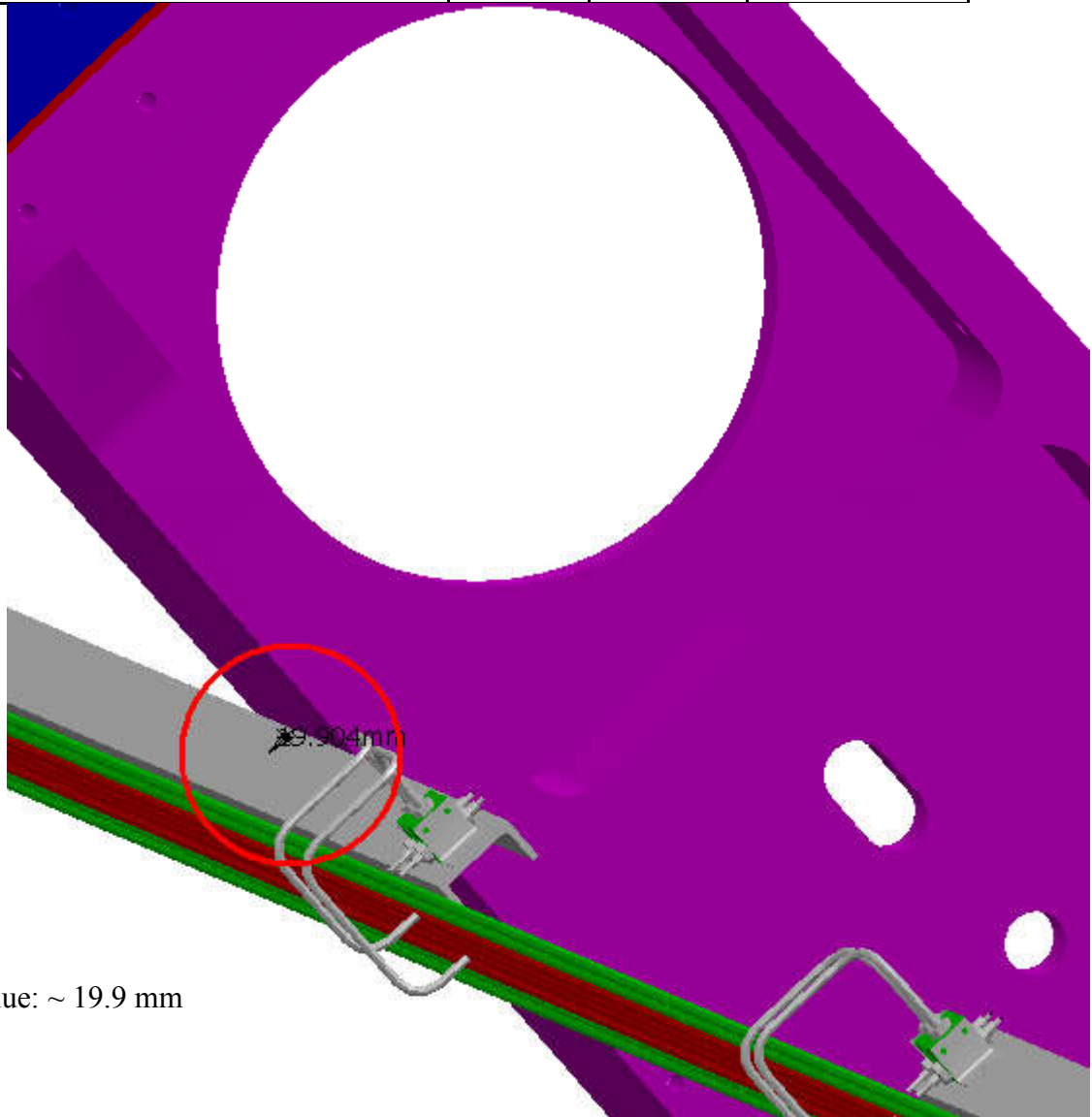
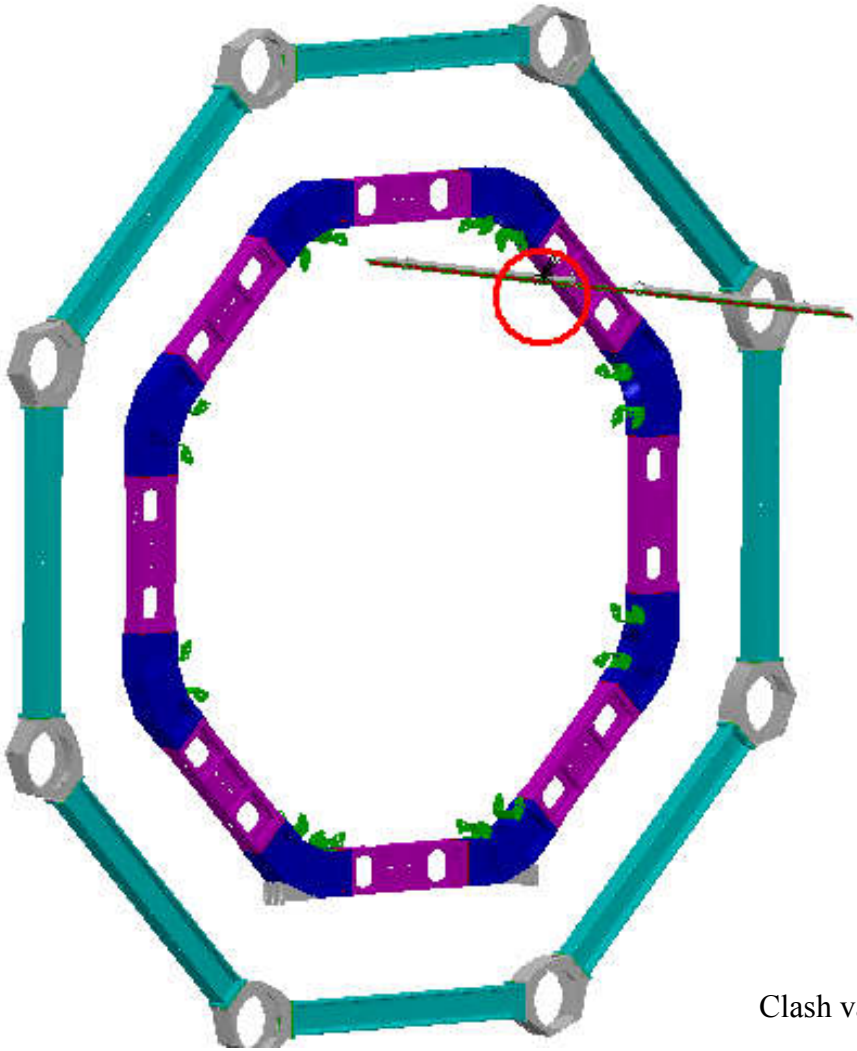
AT782708MQ - PR:  
BIS,BIL\_SECT7\_8MANIFOLDS

AT812126MQ - WARM STRUCTURE

Clash

-19.9 mm

SOLVED !

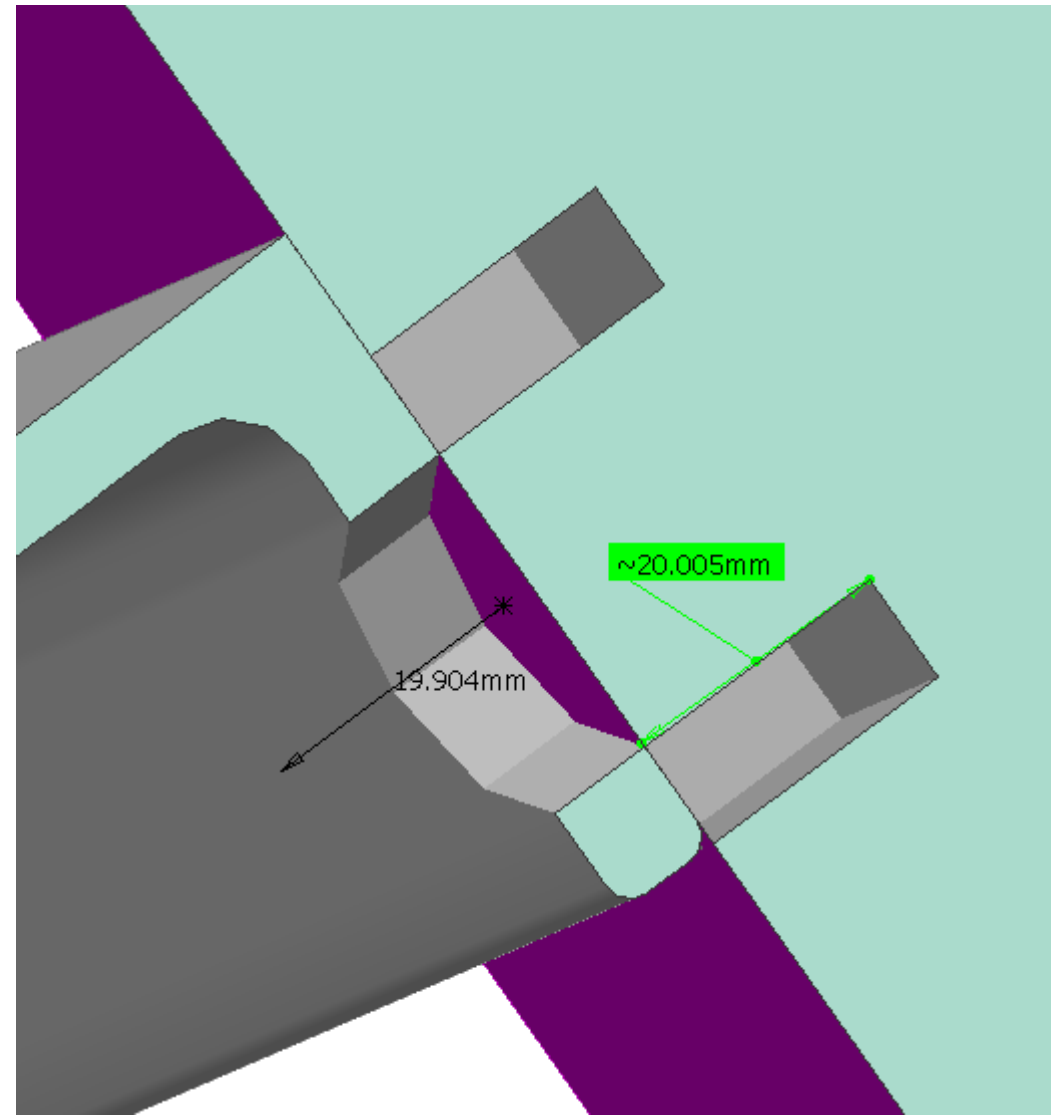
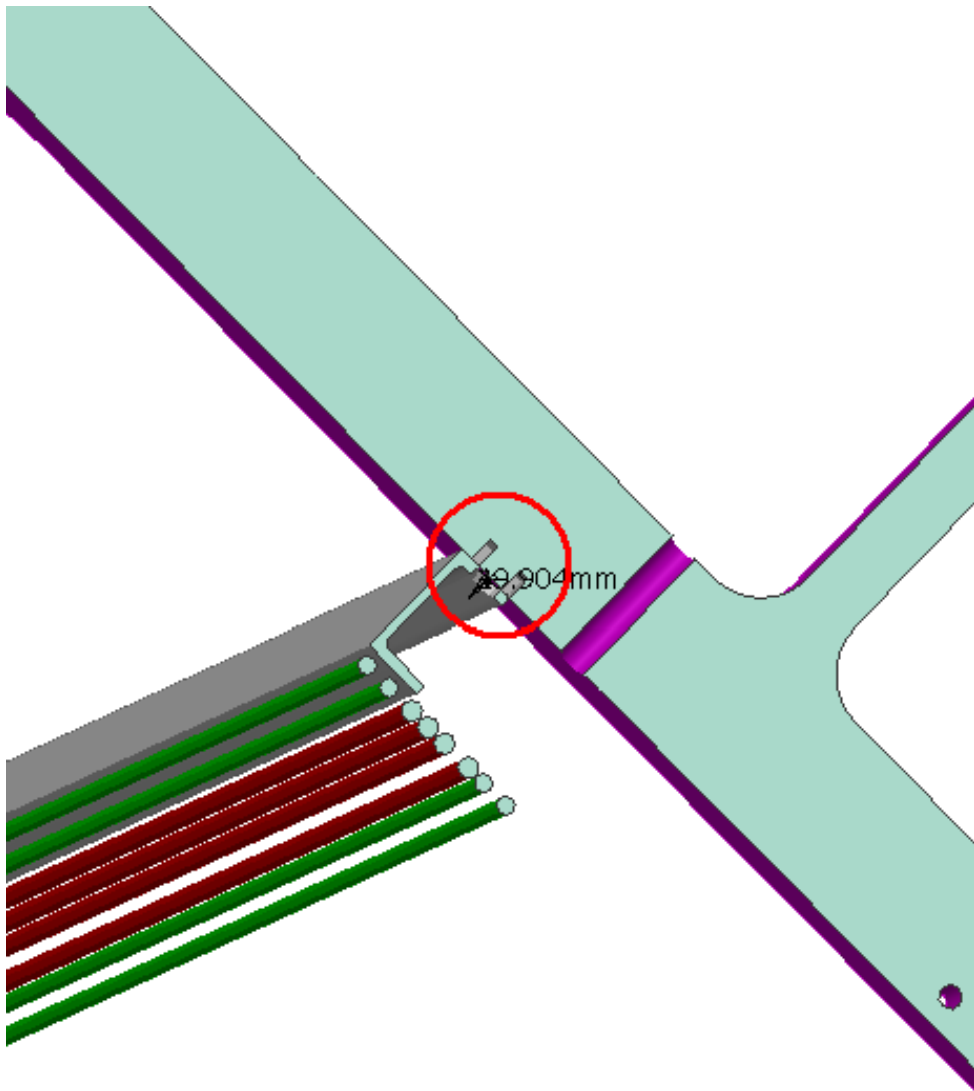


Clash value: ~ 19.9 mm

SIDE A

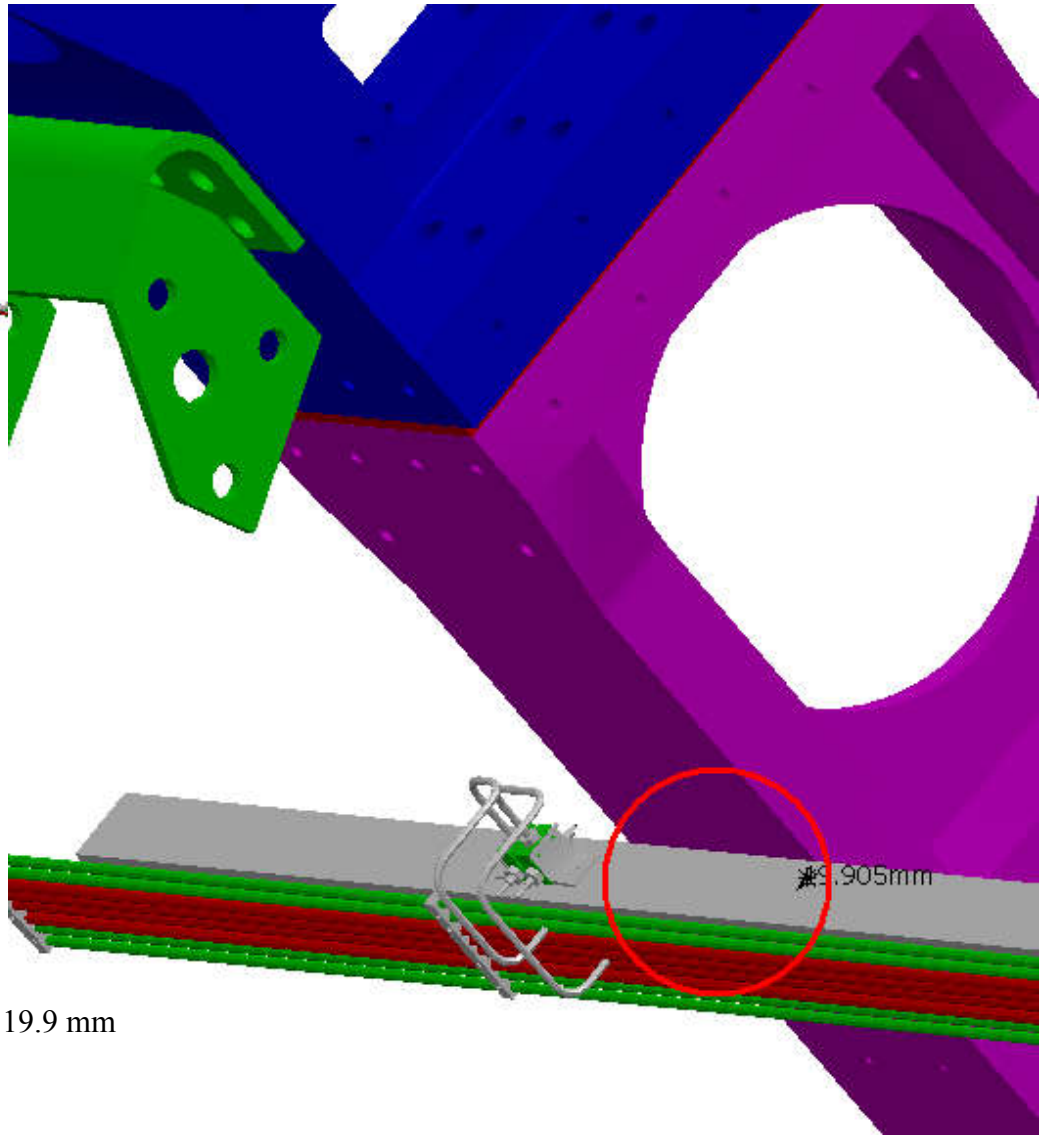
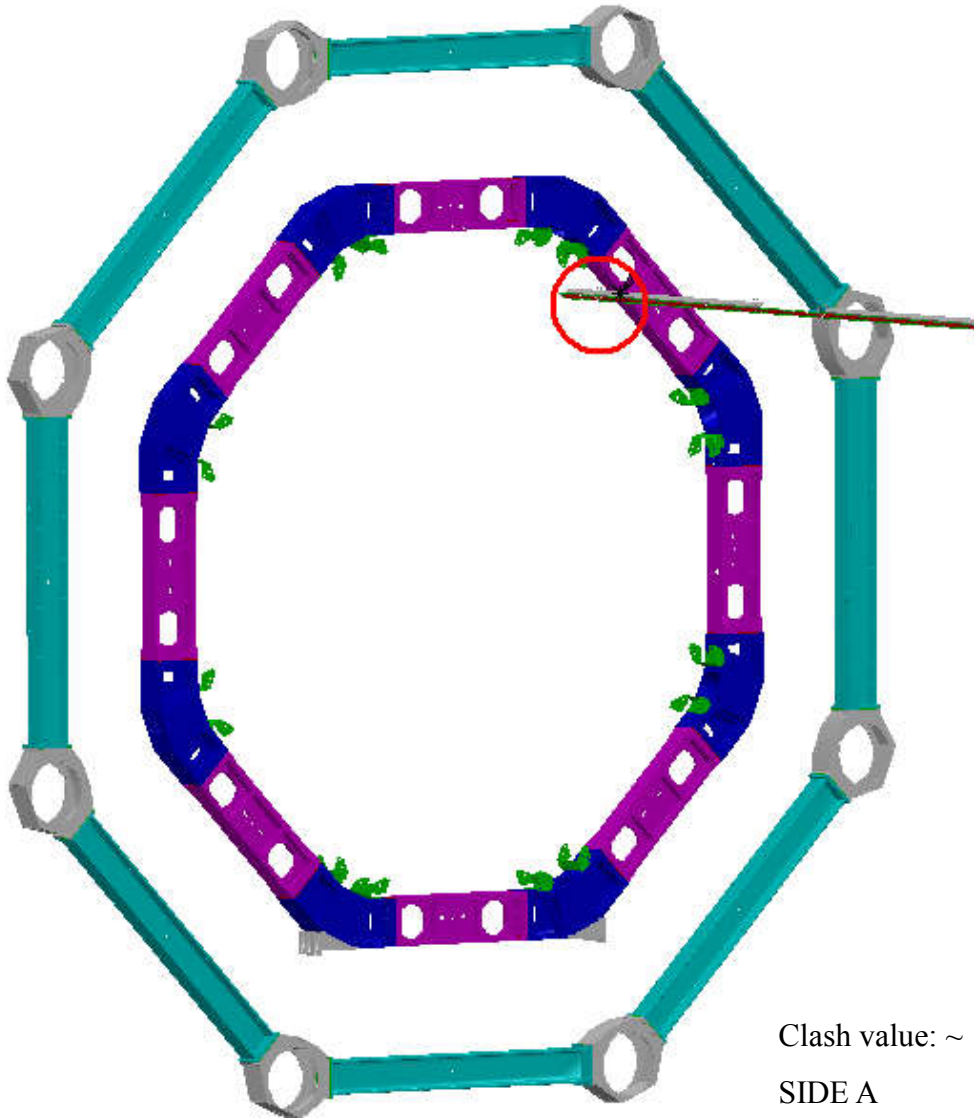
Sector 7

# Clash View:



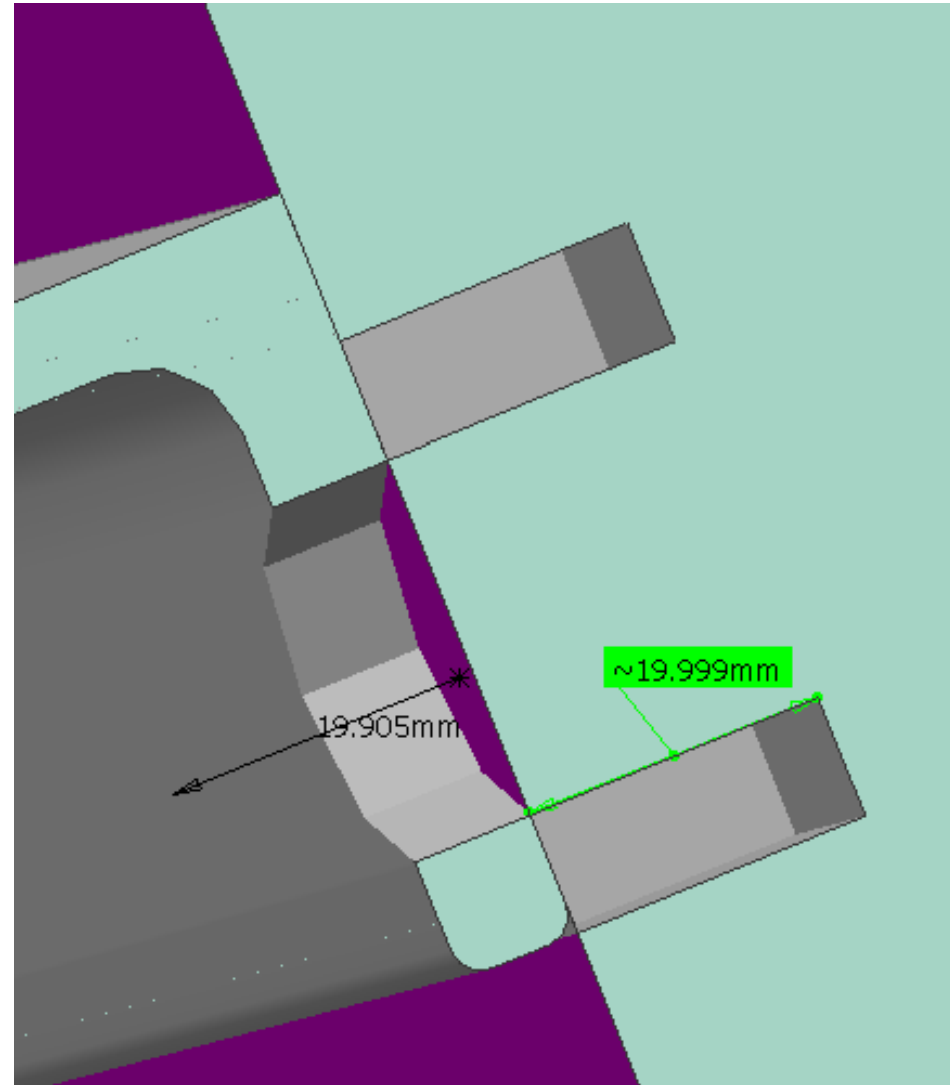
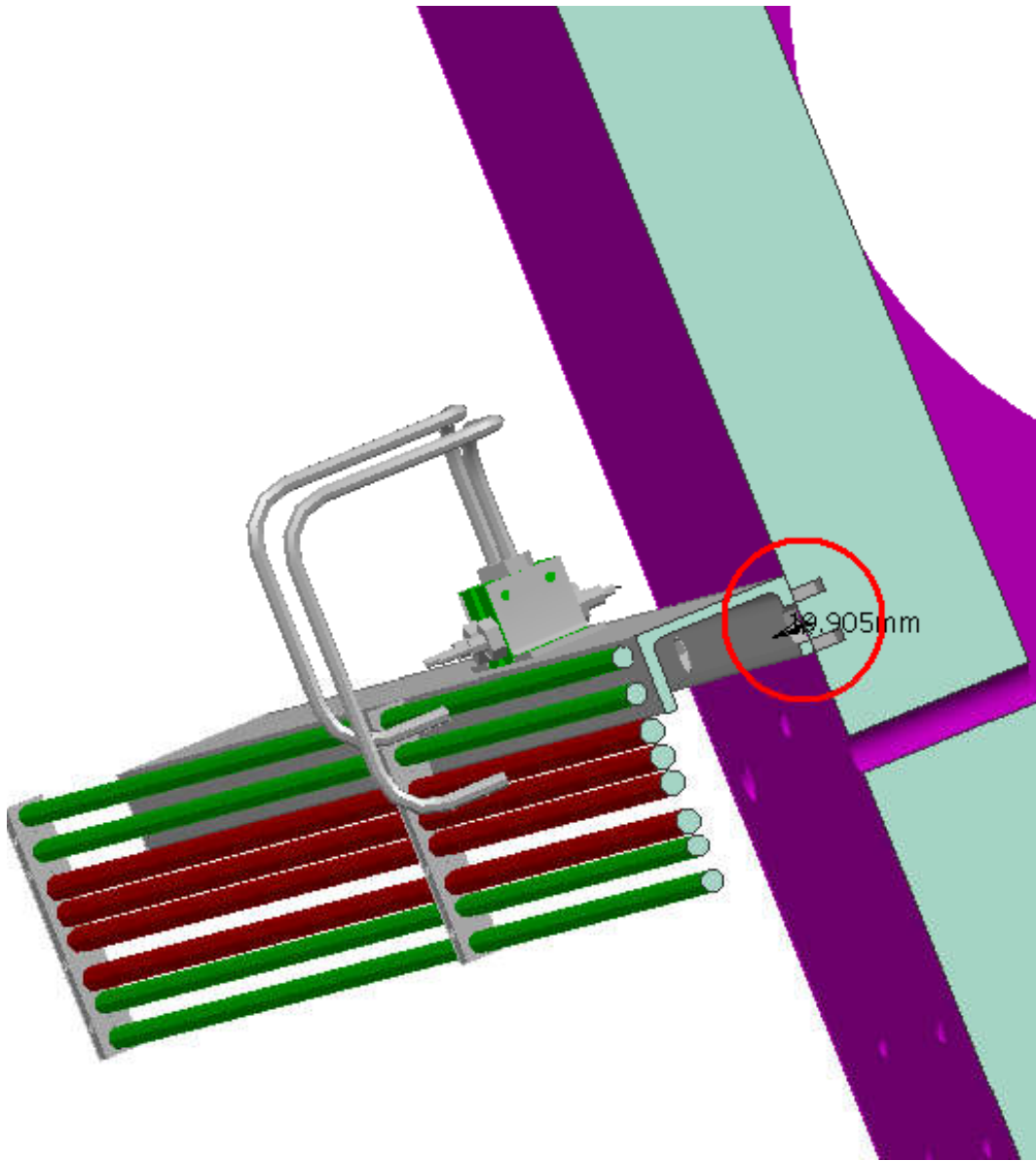
RELEVANT

AT782708MQ - PR: BIS,BIL_SECT7_8MANIFOLDS	AT812127MQ - WARM STRUCTURE	Clash	-19.9 mm	SOLVED!
--	-----------------------------	-------	----------	---------



Clash value: ~ 19.9 mm  
SIDE A  
Sector 7

# Clash View:





RELEVANT

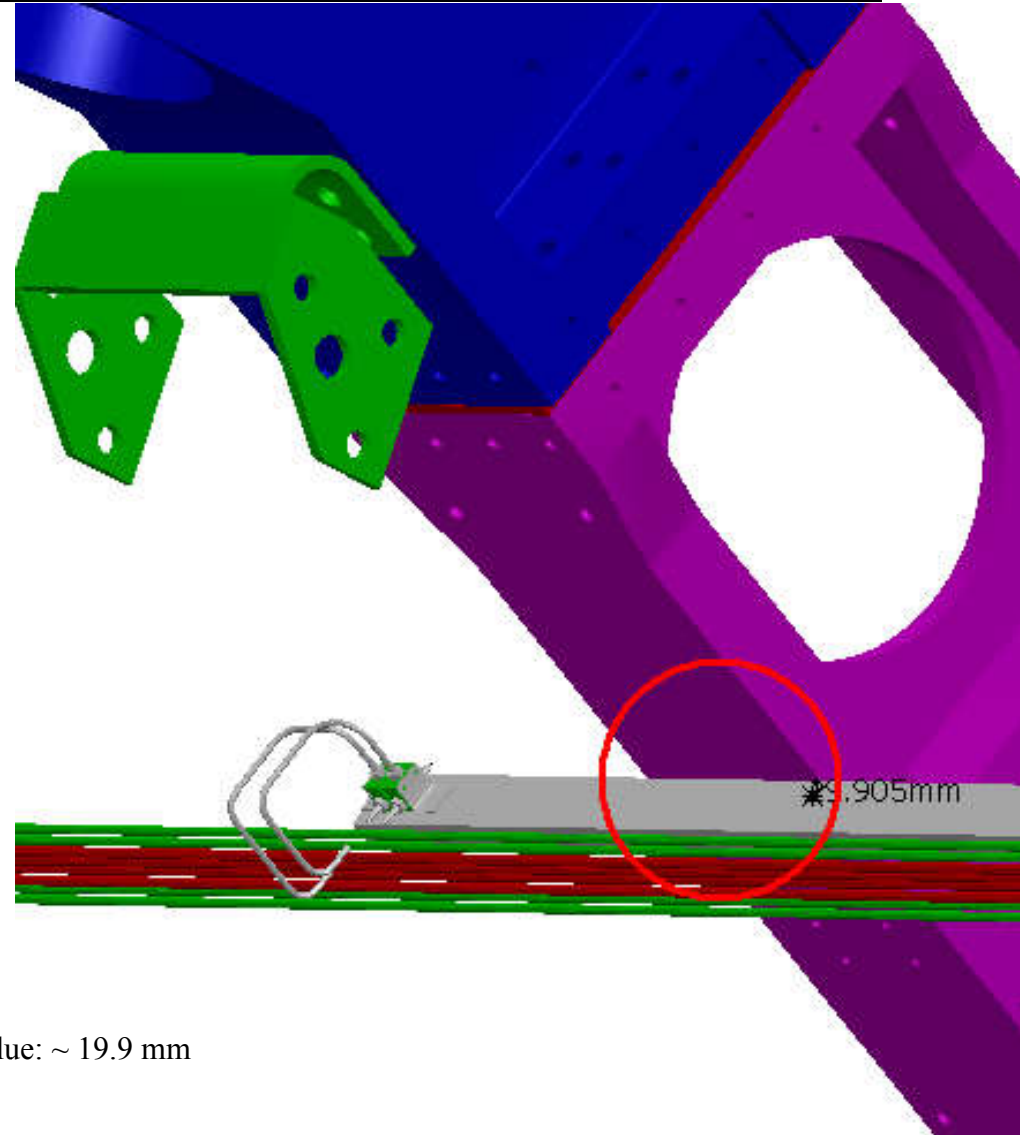
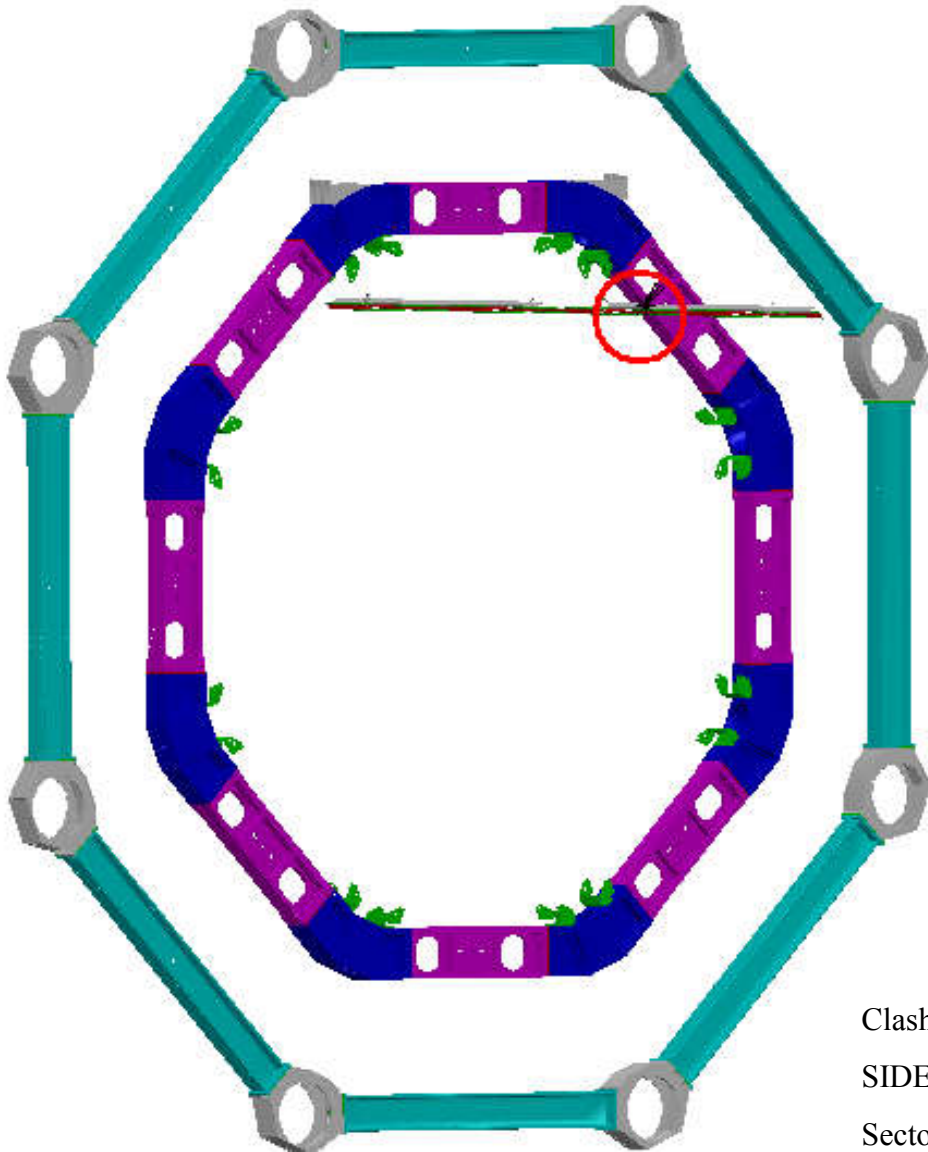
AT782708MQ - PR:  
BIS,BIL\_SECT7\_8MANIFOLDS

AT812126MQ-M - WARM STRUCTURE

Clash

-19.9 mm

SOLVED !

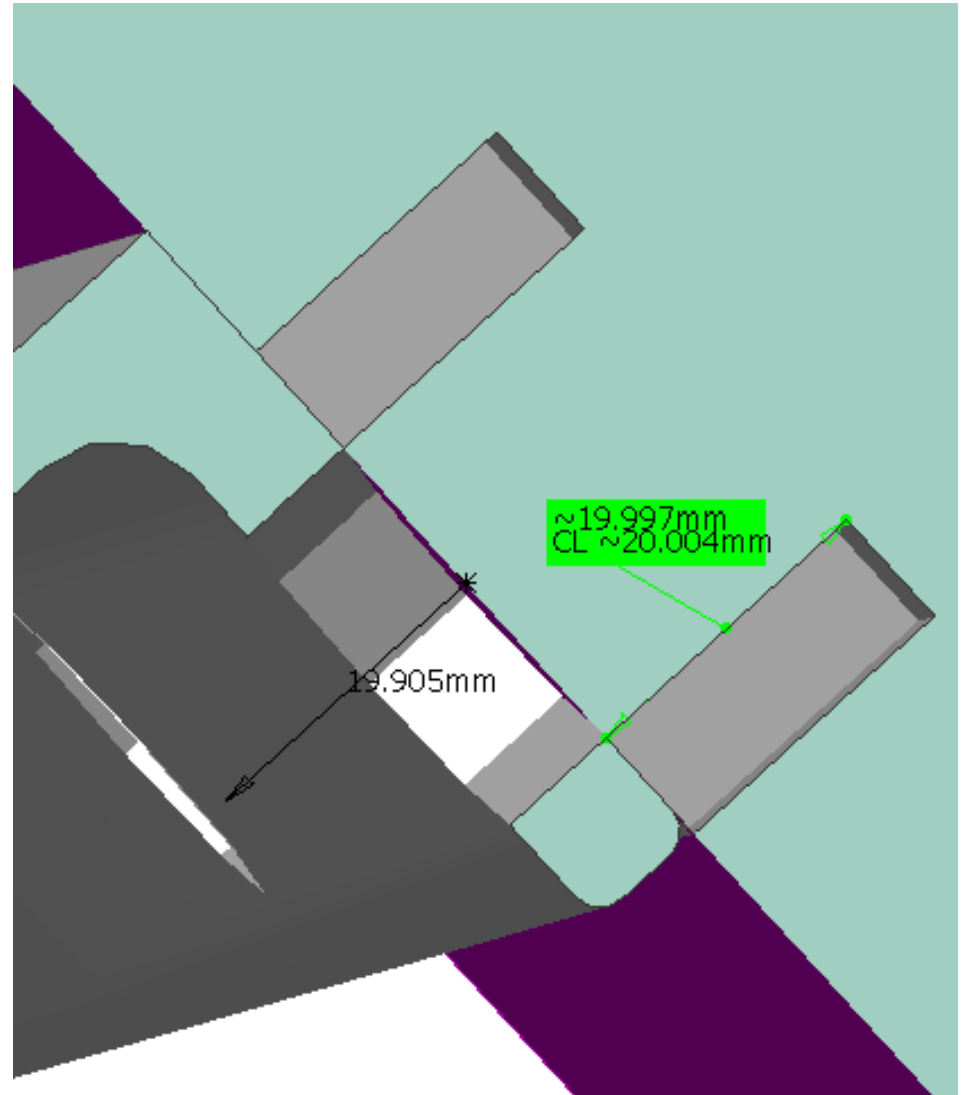
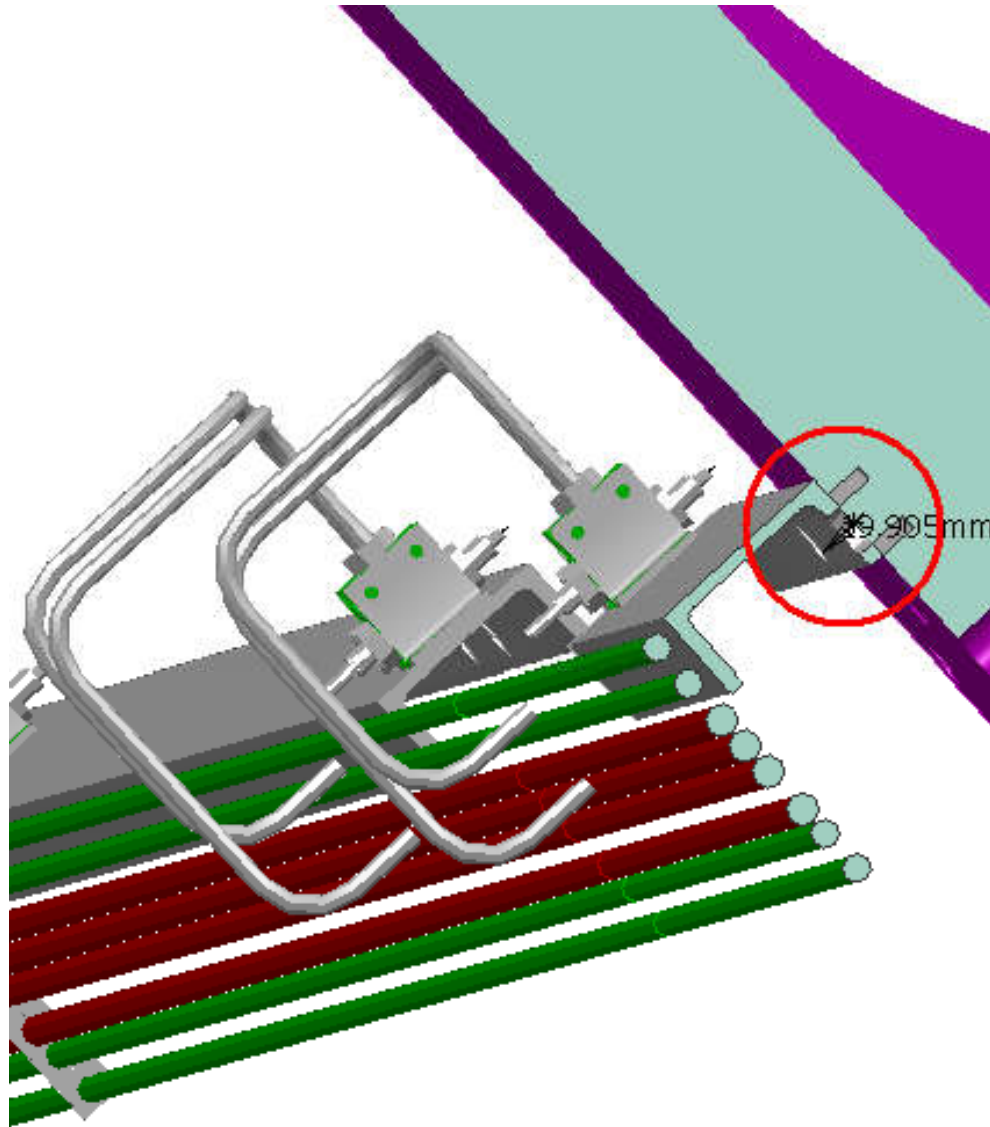


Clash value: ~ 19.9 mm

SIDE C

Sector 7

# Clash View:





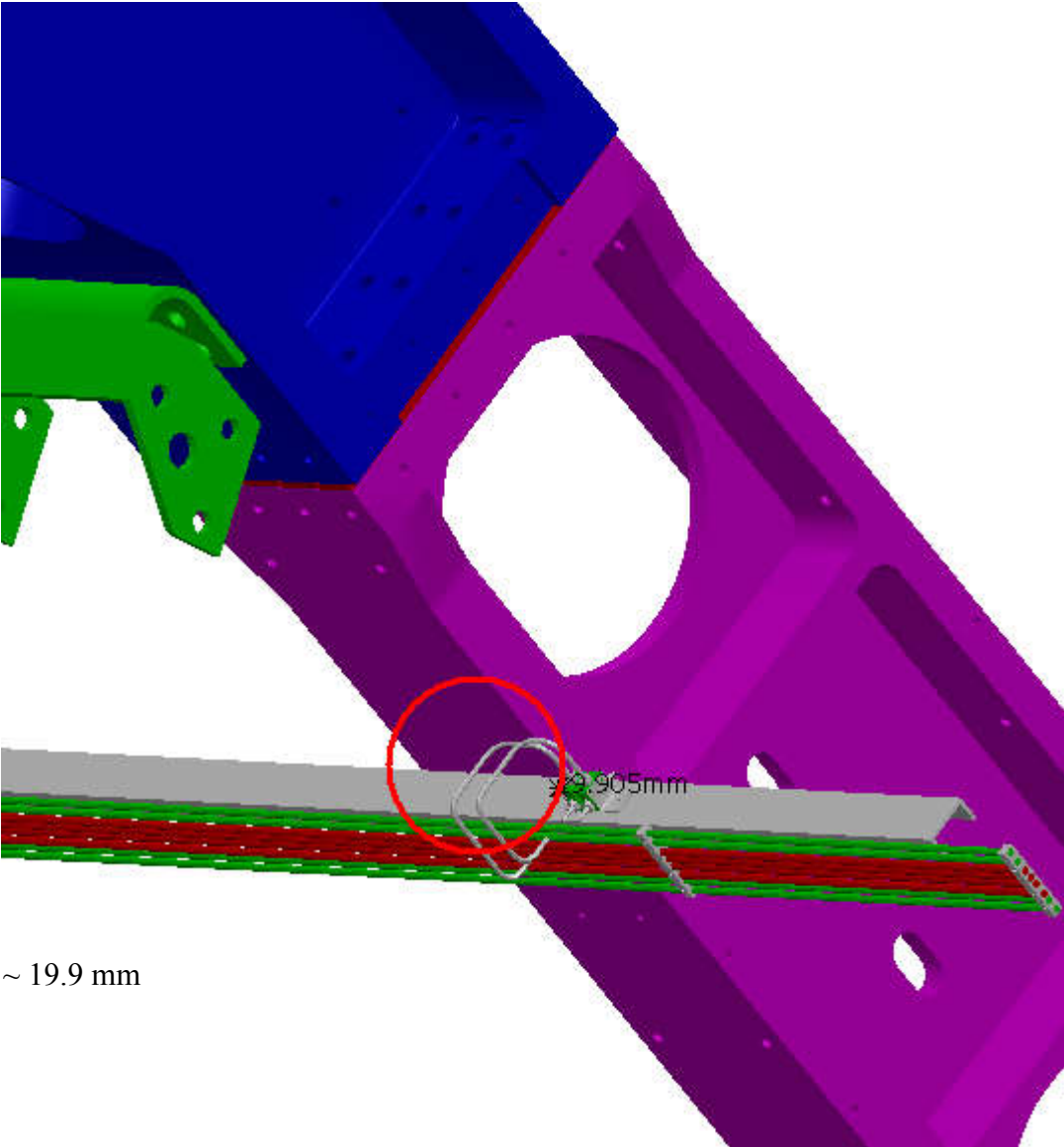
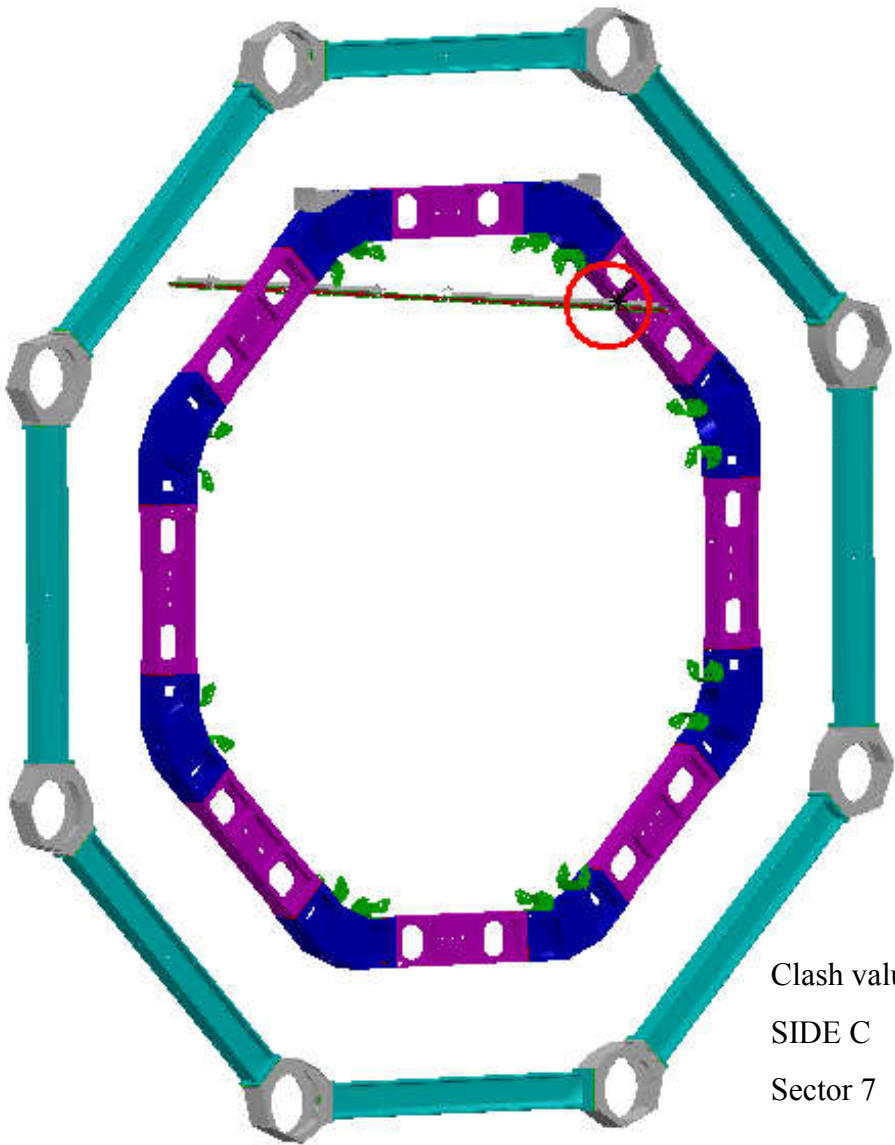
AT782708MQ - PR:  
BIS,BIL\_SECT7\_8MANIFOLDS

AT812127MQ-M – WARM STRUCTURE

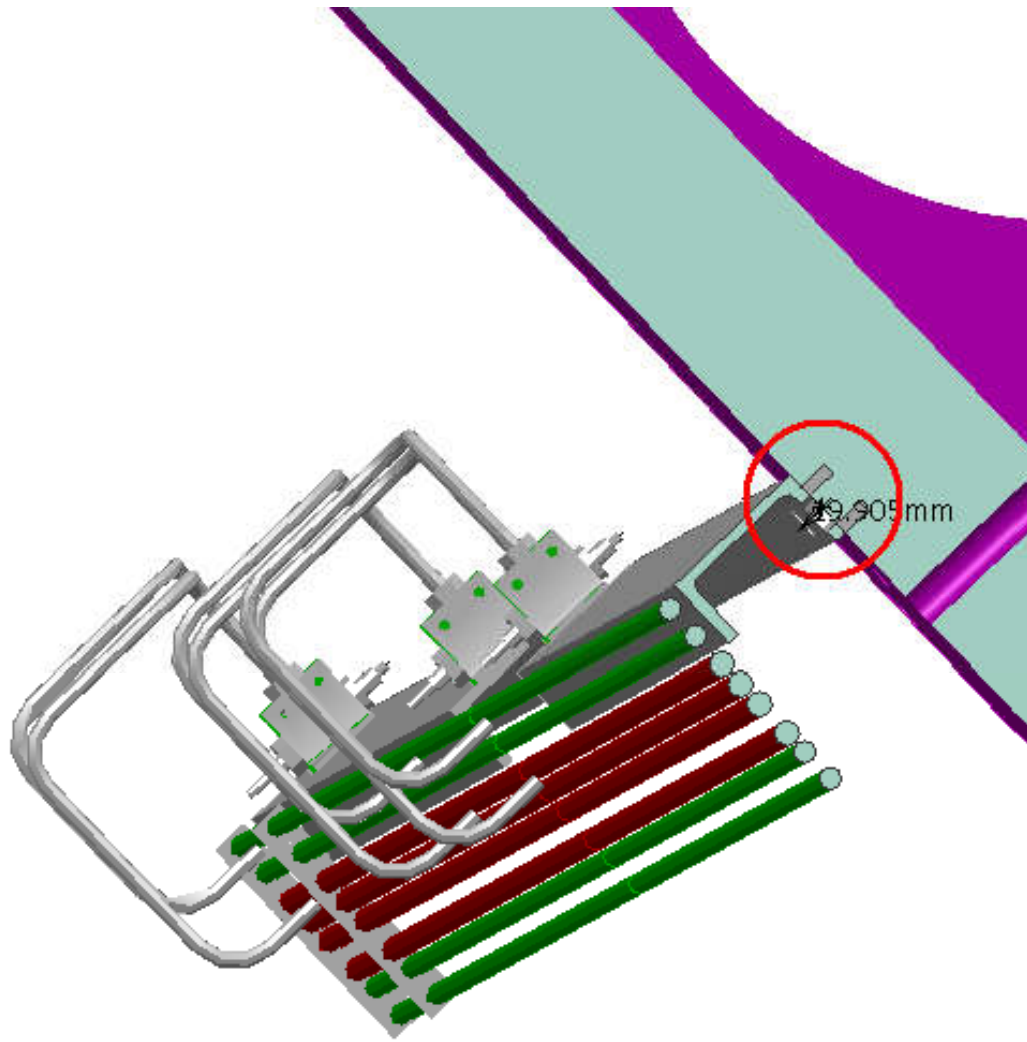
Clash

-19.9 mm

SOLVED !



Clash value: ~ 19.9 mm  
SIDE C  
Sector 7



## Clash View:

