

# Clearance Publish

Clearance=50mm

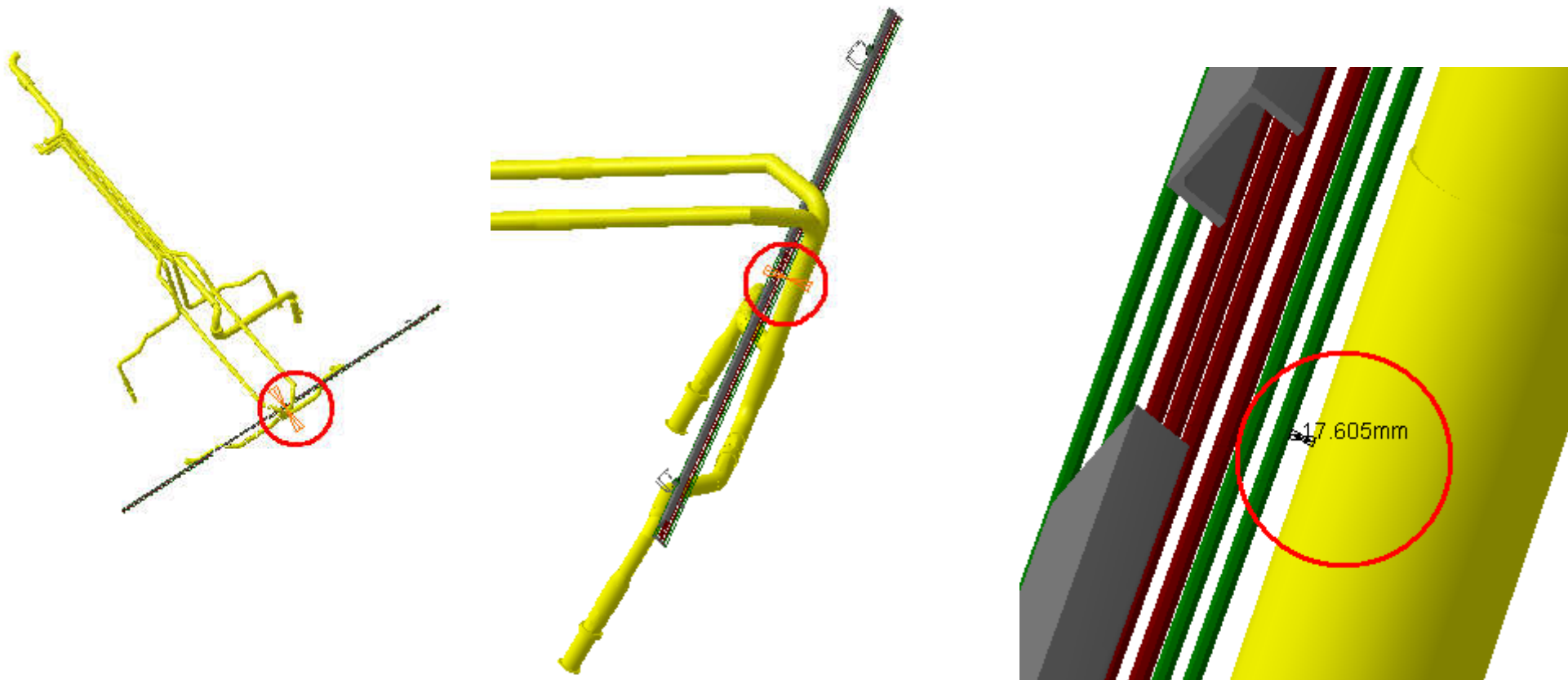


Clearance Computation Specification			
Products Selected			
AT782707MQ PR: BIS, BIL_Sect3_8 Manifolds	ATCNSB_0002 BARREL CALORIMETER CRYOGENIC LINES - SIMPLIFIED 3D OBJECTS	17.6	Relevant SOLVED !
	AT812126MQ TBW Structure	0	Not Relevant
	AT812127MQ TBW Structure	0	Not Relevant
	AT812126MQ-M TBW Structure	0	Not Relevant
	AT812127MQ-M TBW Structure	0	Not Relevant

Revised with Pavel 3/11/2005

RELEVANT

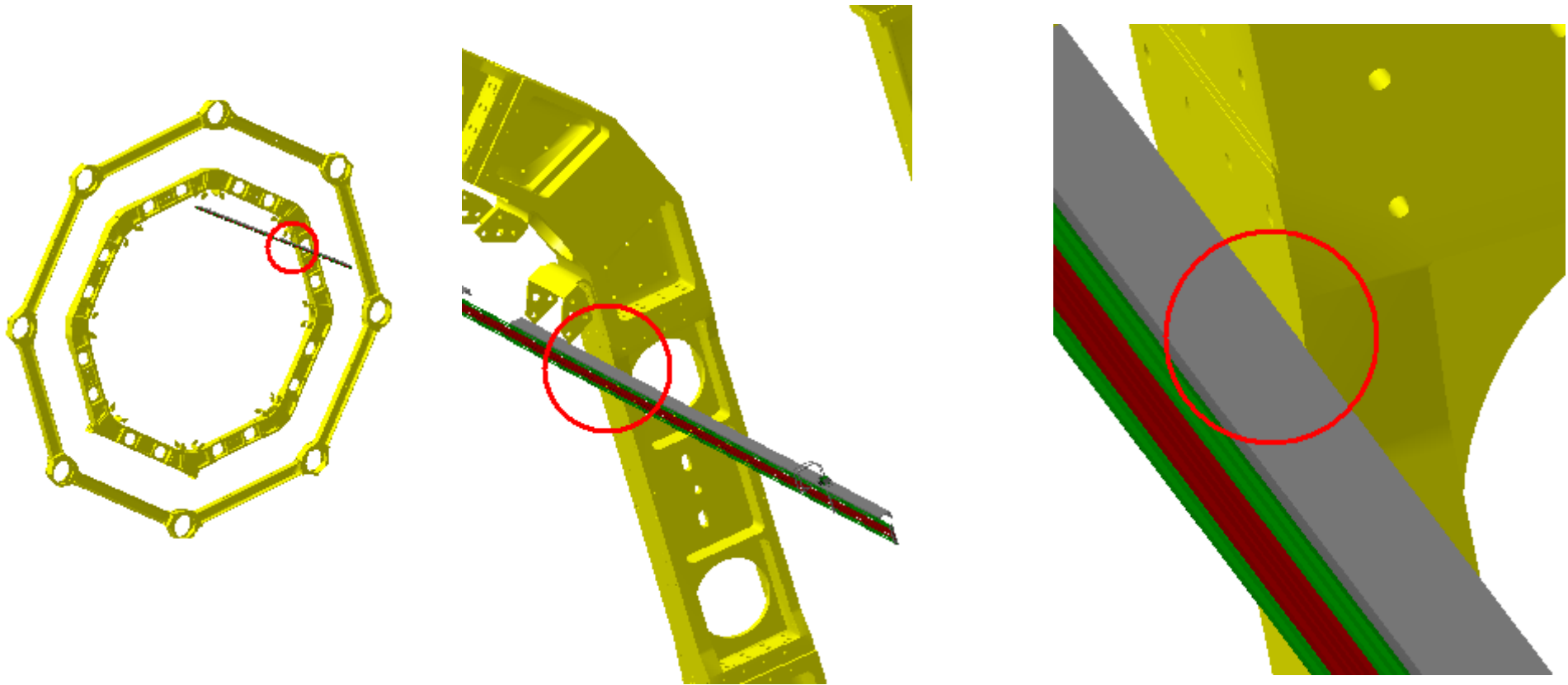
AT782506MQ PR: BIS, BIL_Sect3_8 Manifolds	ATCNSB_0002 BARREL CALORIMETER CRYOGENIC LINES - SIMPLIFIED 3D OBJECTS	Vector coordinate $\Delta X \approx 16.07\text{mm}$ $\Delta Y \approx -7.18\text{mm}$ $\Delta Z \approx -0.09\text{mm}$	17.6mm	Not Relevant
--	--	--	--------	--------------



Side C

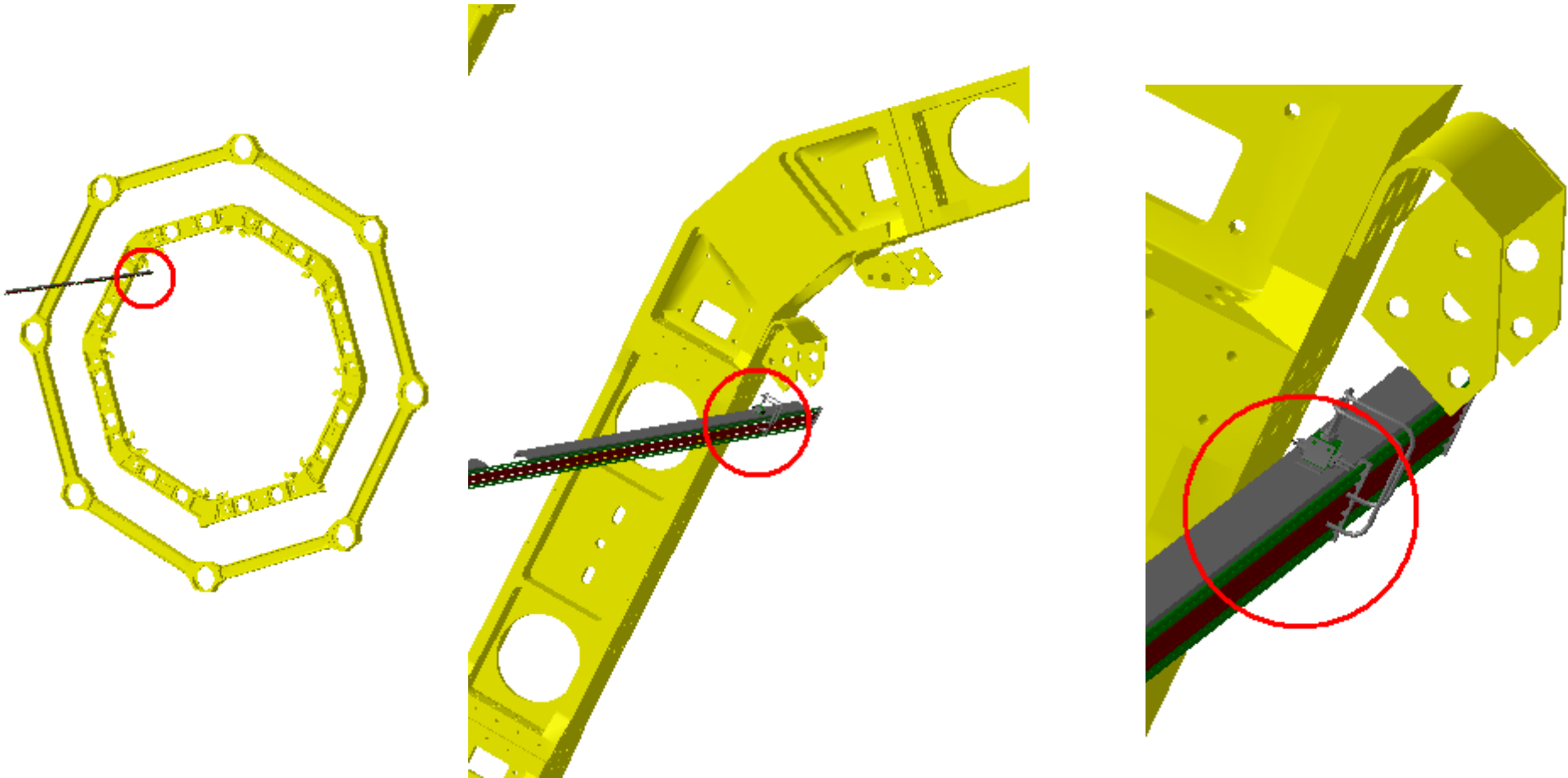
Sector 3

AT782506MQ PR: BIS, BIL_Sect3_8 Manifolds	AT812126MQ TBW Structure	Contact	0	Not Relevant
--	--------------------------	---------	---	--------------



Side C  
Sector 3

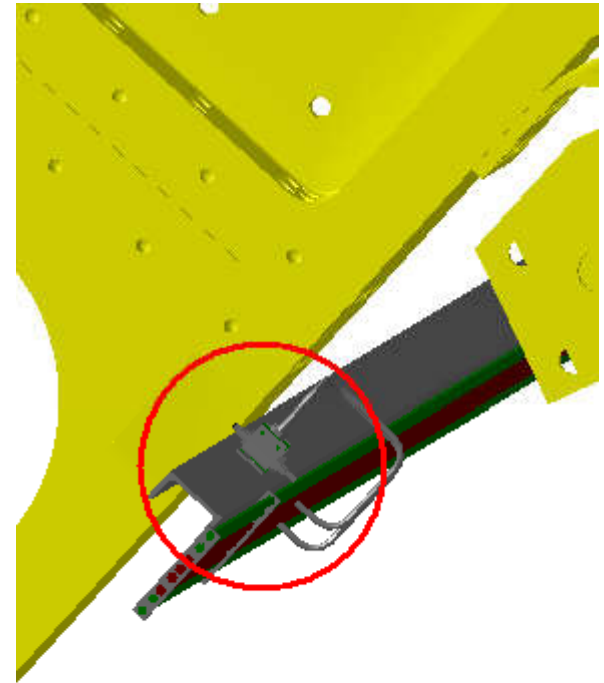
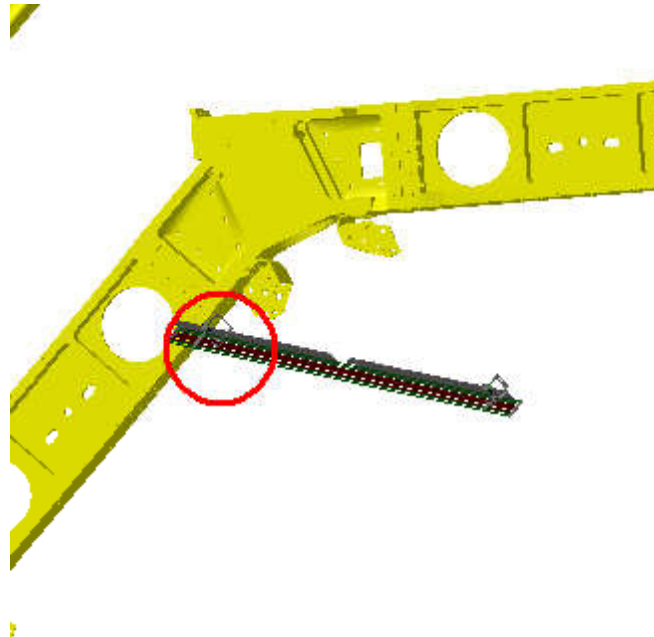
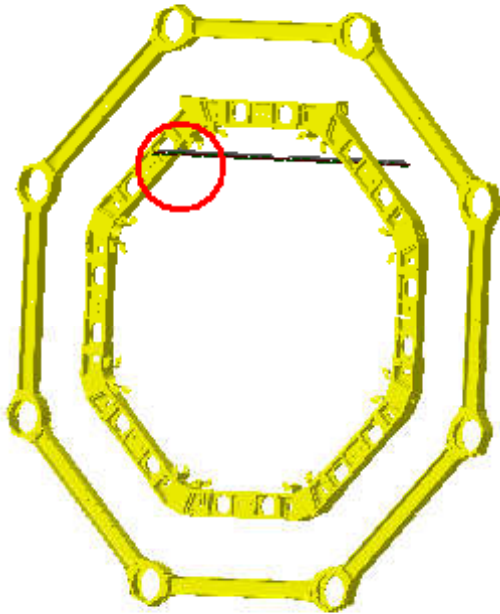
AT782506MQ PR: BIS, BIL_Sect3_8 Manifolds	AT812127MQ TBW Structure	Contact	15.79mm	Not Relevant
--	--------------------------	---------	---------	--------------



Side A

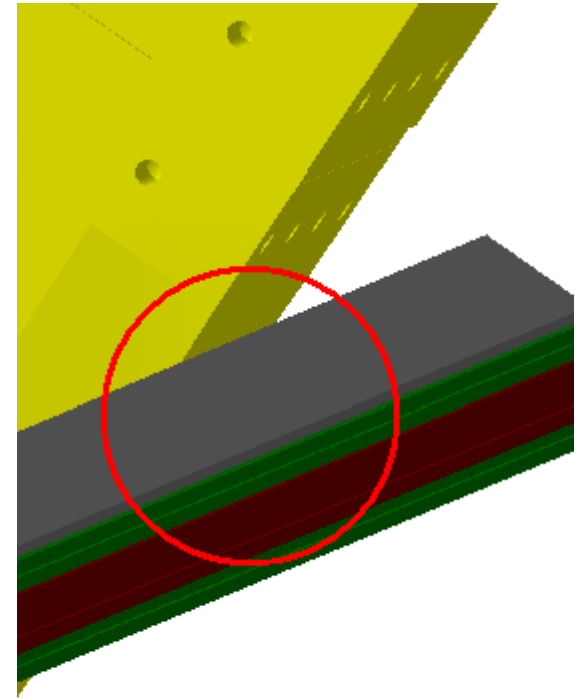
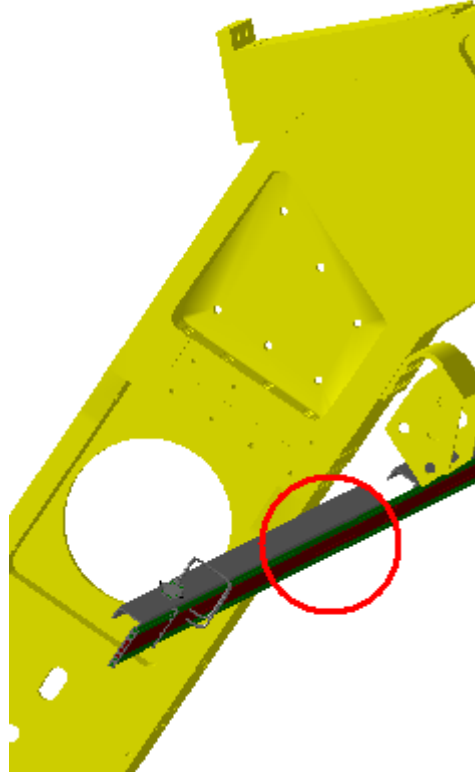
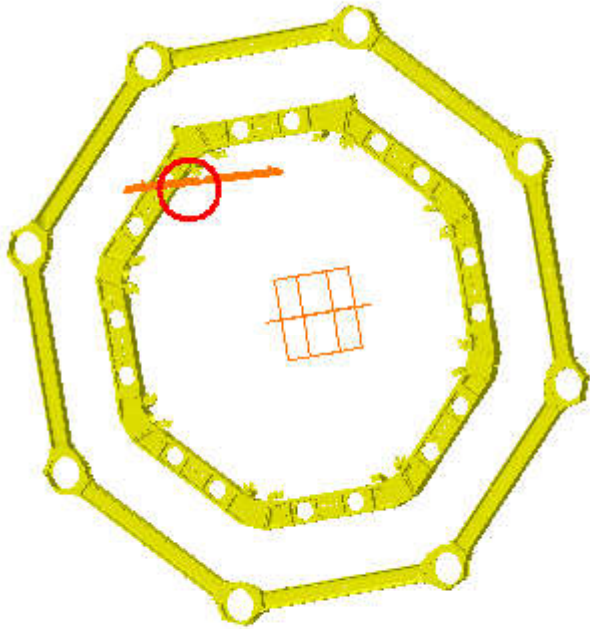
Sector 3

AT782506MQ PR: BIS, BIL_Sect3_8 Manifolds	AT812127MQ-M TBW Structure	Contact	0	Not Relevant
--	----------------------------	---------	---	--------------



Side C  
Sector 3

AT782506MQ PR: BIS, BIL_Sect3_8 Manifolds	AT812126MQ-M TBW Structure	Contact	0	Not Relevant
--	----------------------------	---------	---	--------------



Side C  
Sector 3