

Clearance Publish

Clearance = 50mm



Clearance Computation Specification			
Products Selected		Value	Status
AT782706MQ - PR: BIS,BIL_SECT1_6MANIFOLDS	AT812126MQ - WARM STRUCTURE	0 mm	Not Relevant
	AT812127MQ - WARM STRUCTURE	0 mm	Not Relevant
	AT812126MQ-M - WARM STRUCTURE	0 mm	Not Relevant
	AT812127MQ-M - WARM STRUCTURE	0 mm	Not Relevant

Revised by Pavel 12/11/2005

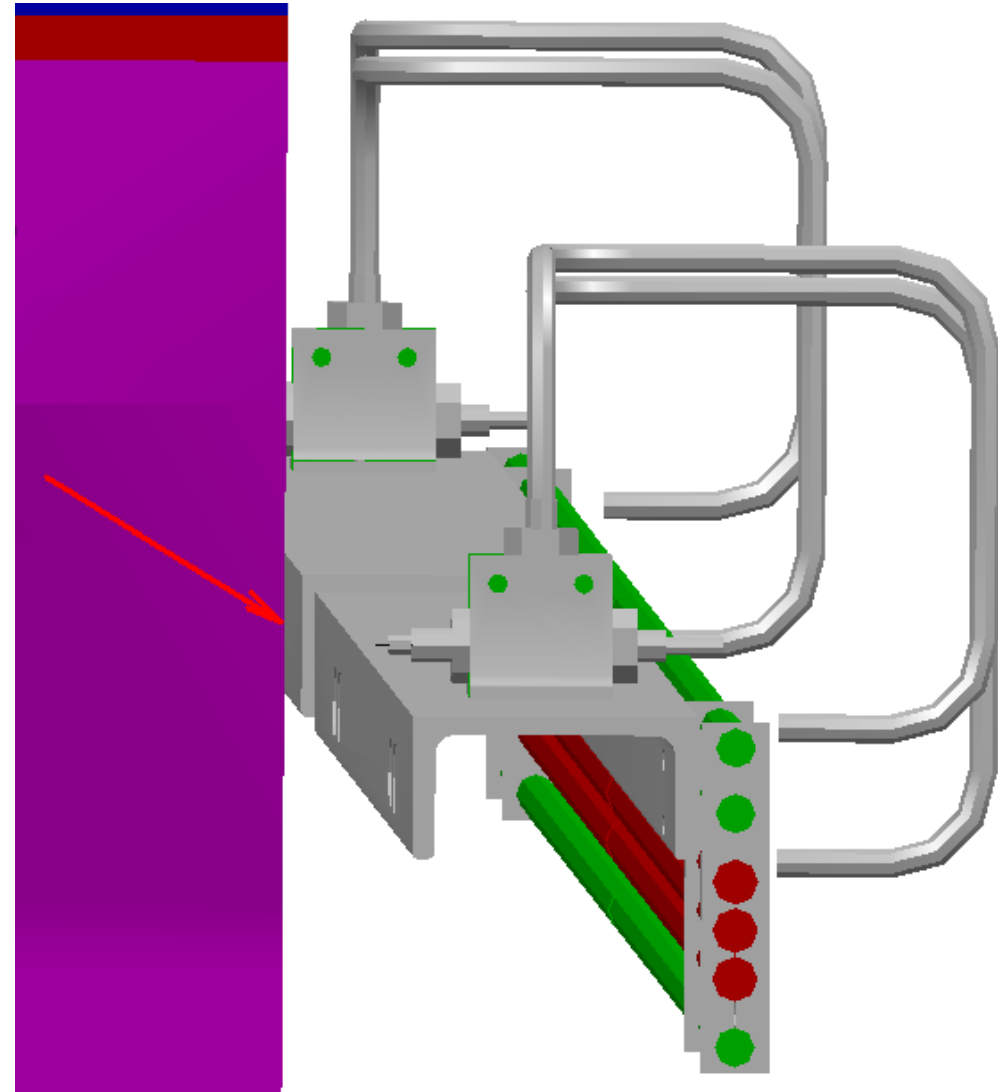
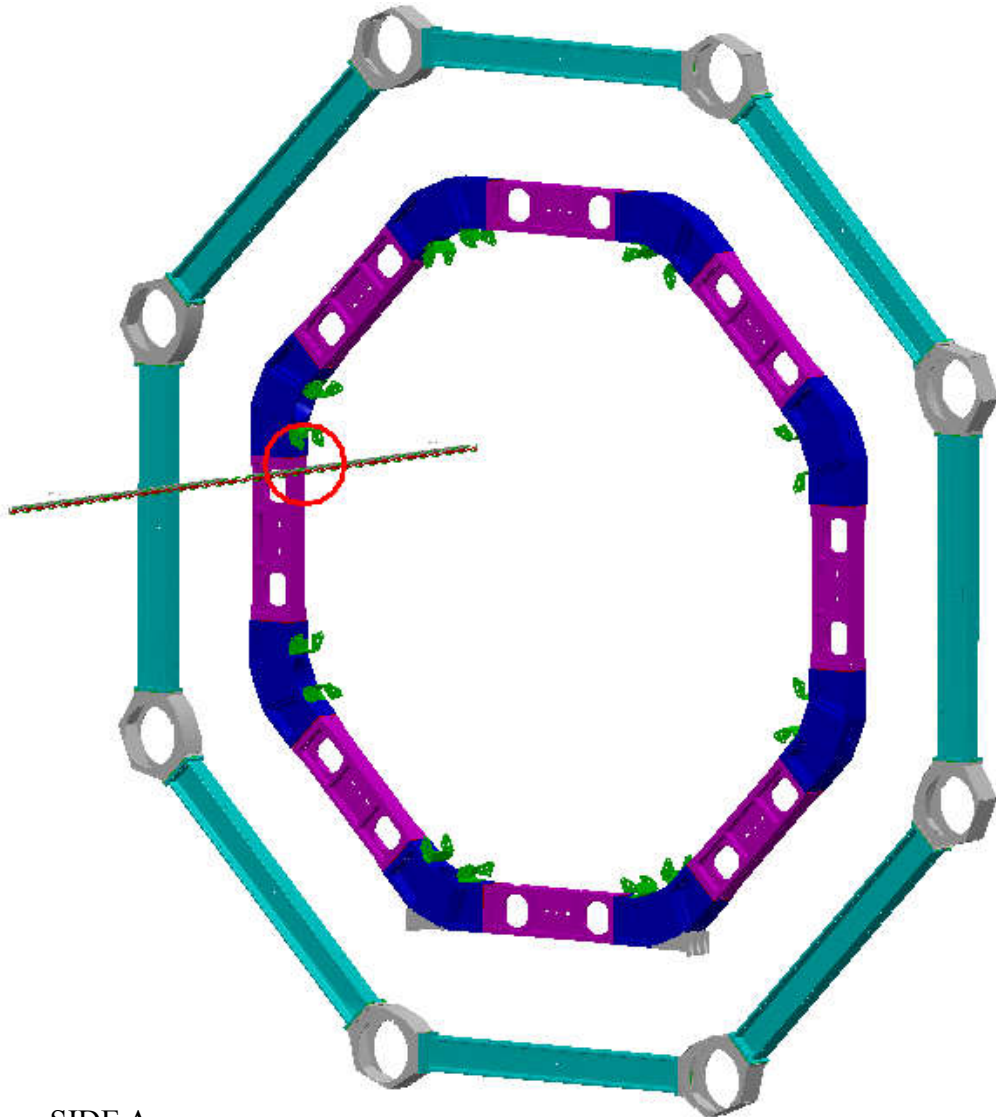
AT782706MQ - PR:
BIS,BIL_SECT1_6MANIFOLDS

AT812126MQ - WARM STRUCTURE

Contact

0

Not inspected



SIDE A
Sector 1

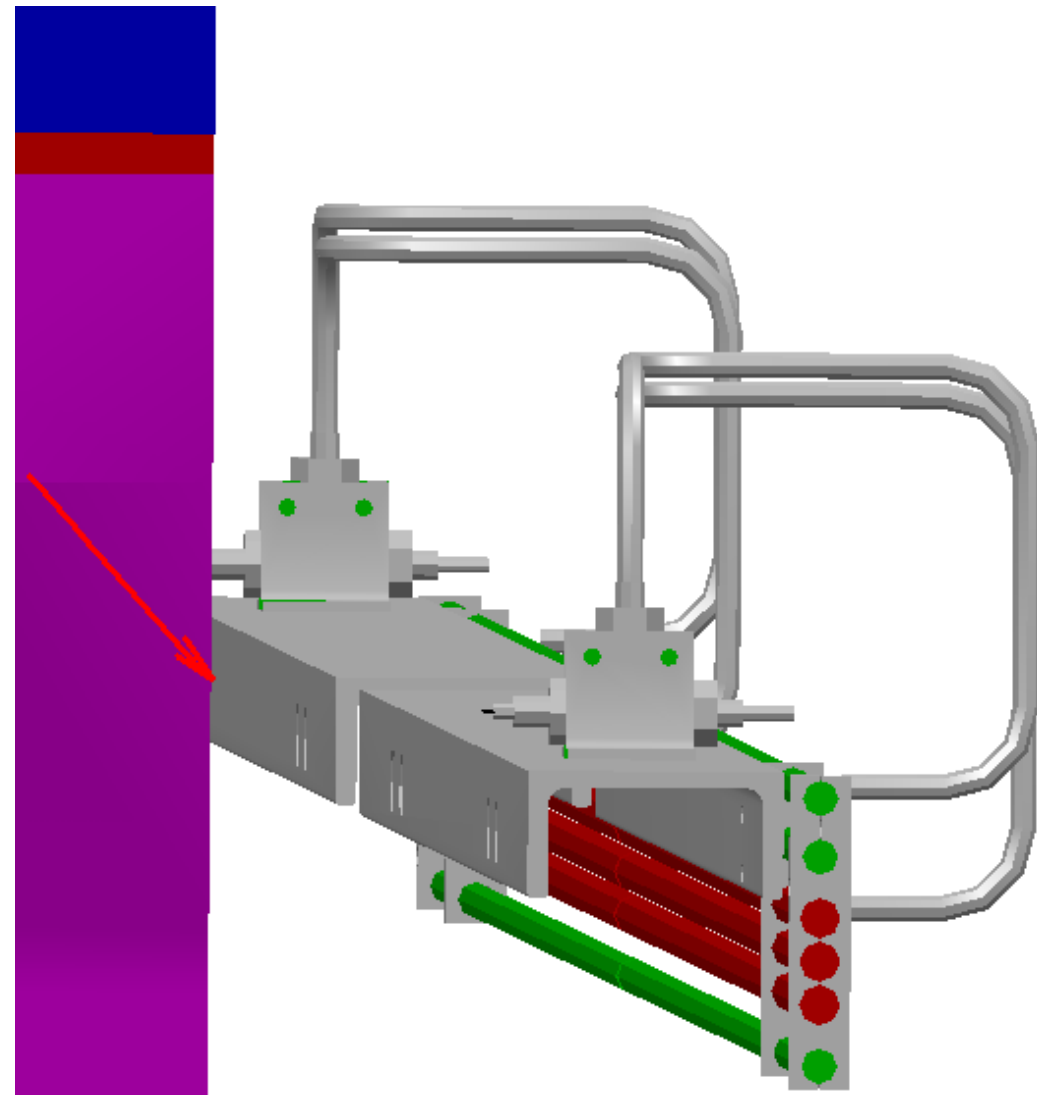
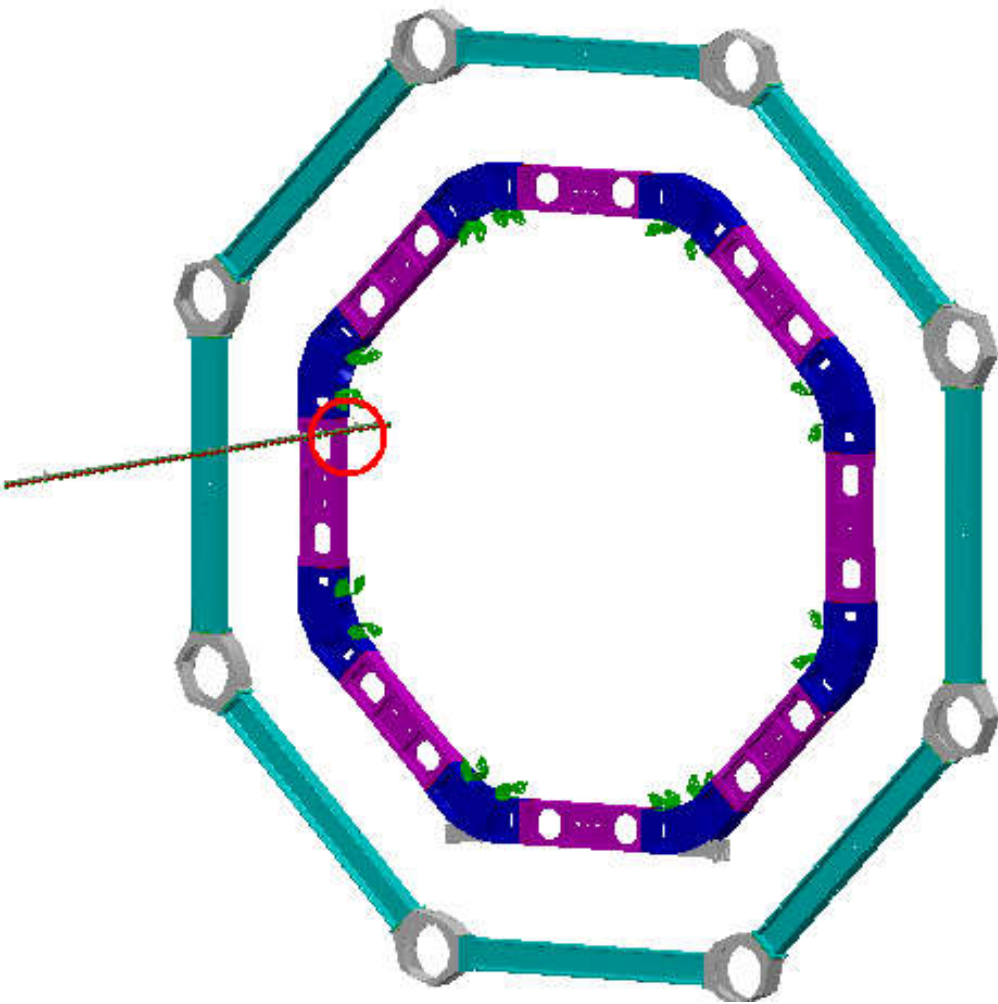
AT782706MQ - PR:
BIS,BIL_SECT1_6MANIFOLDS

AT812127MQ - WARM STRUCTURE

Contact

0

Not inspected



SIDE A
Sector 1

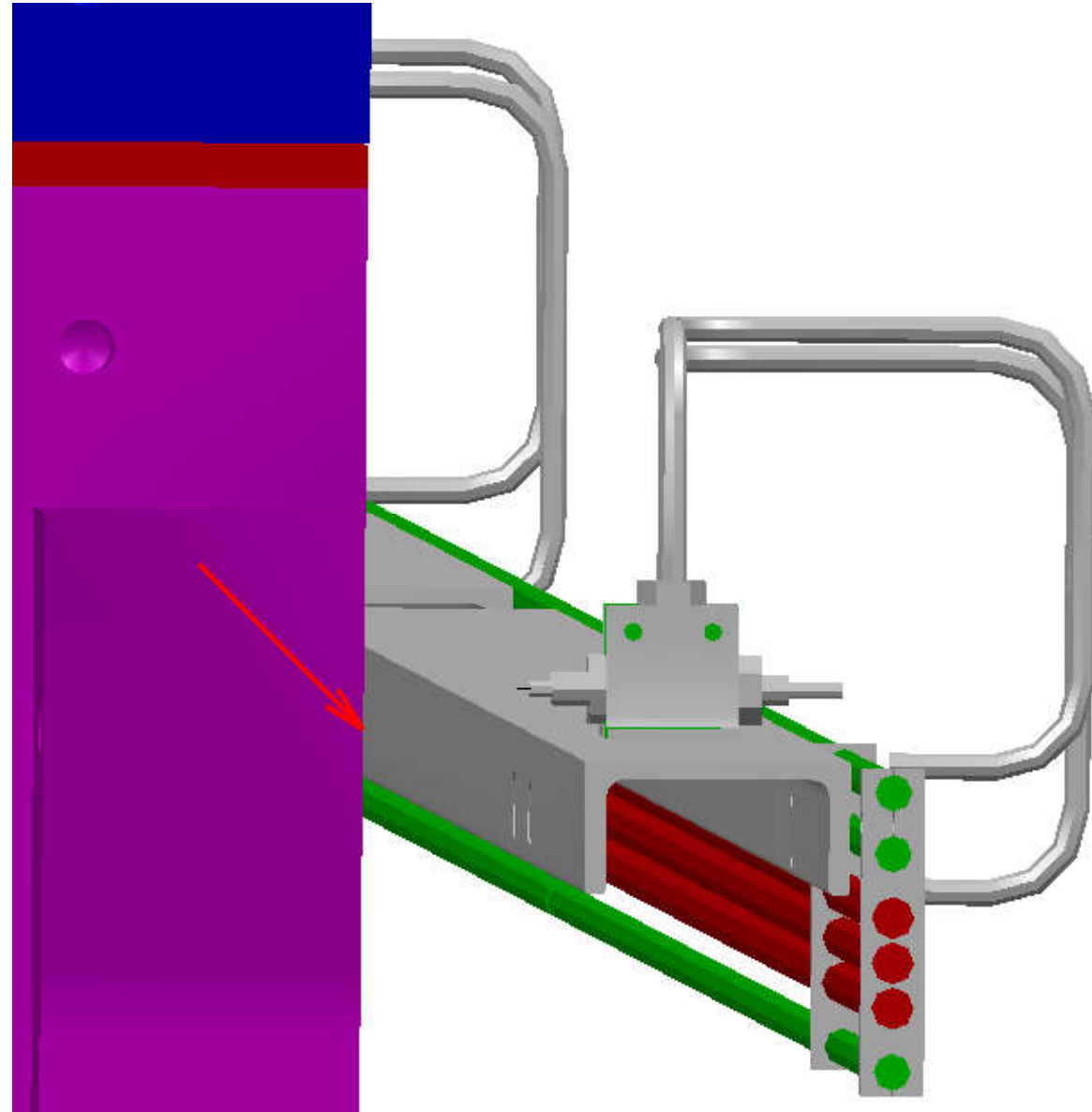
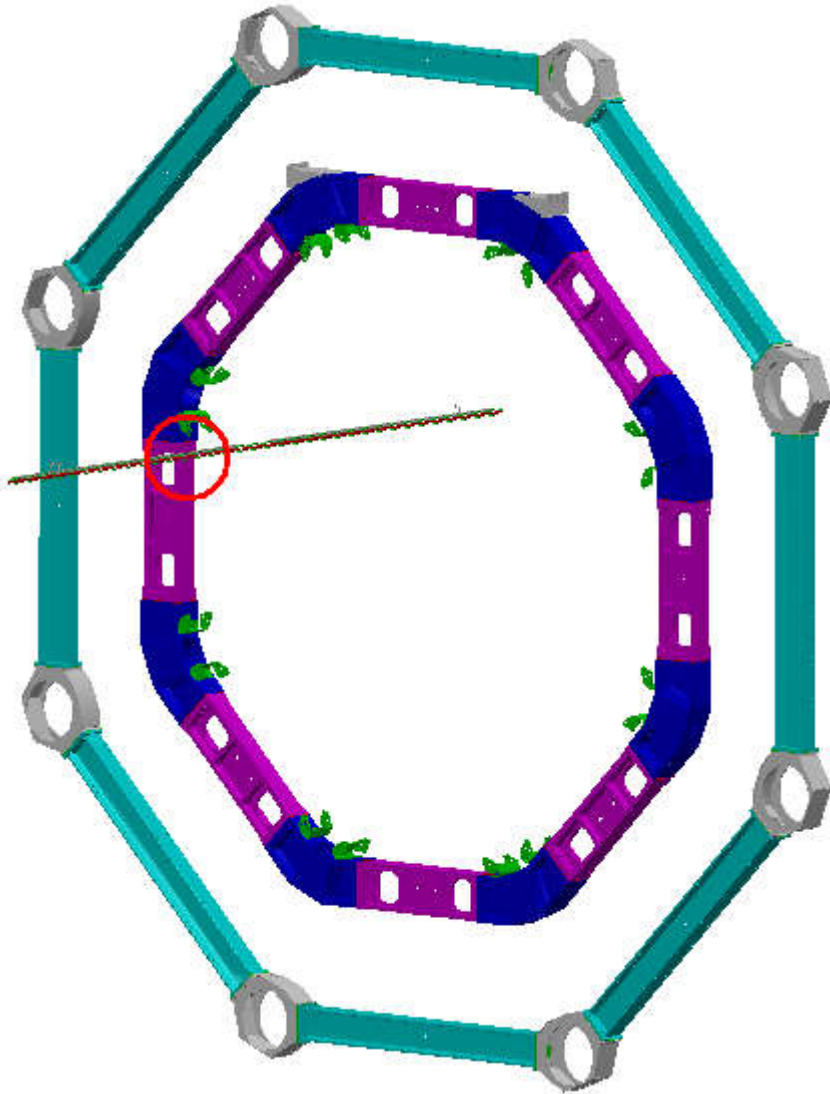
AT782706MQ - PR:
BIS,BIL_SECT1_6MANIFOLDS

AT812126MQ-M - WARM STRUCTURE

Contact

0

Not inspected



SIDE C

Sector 1

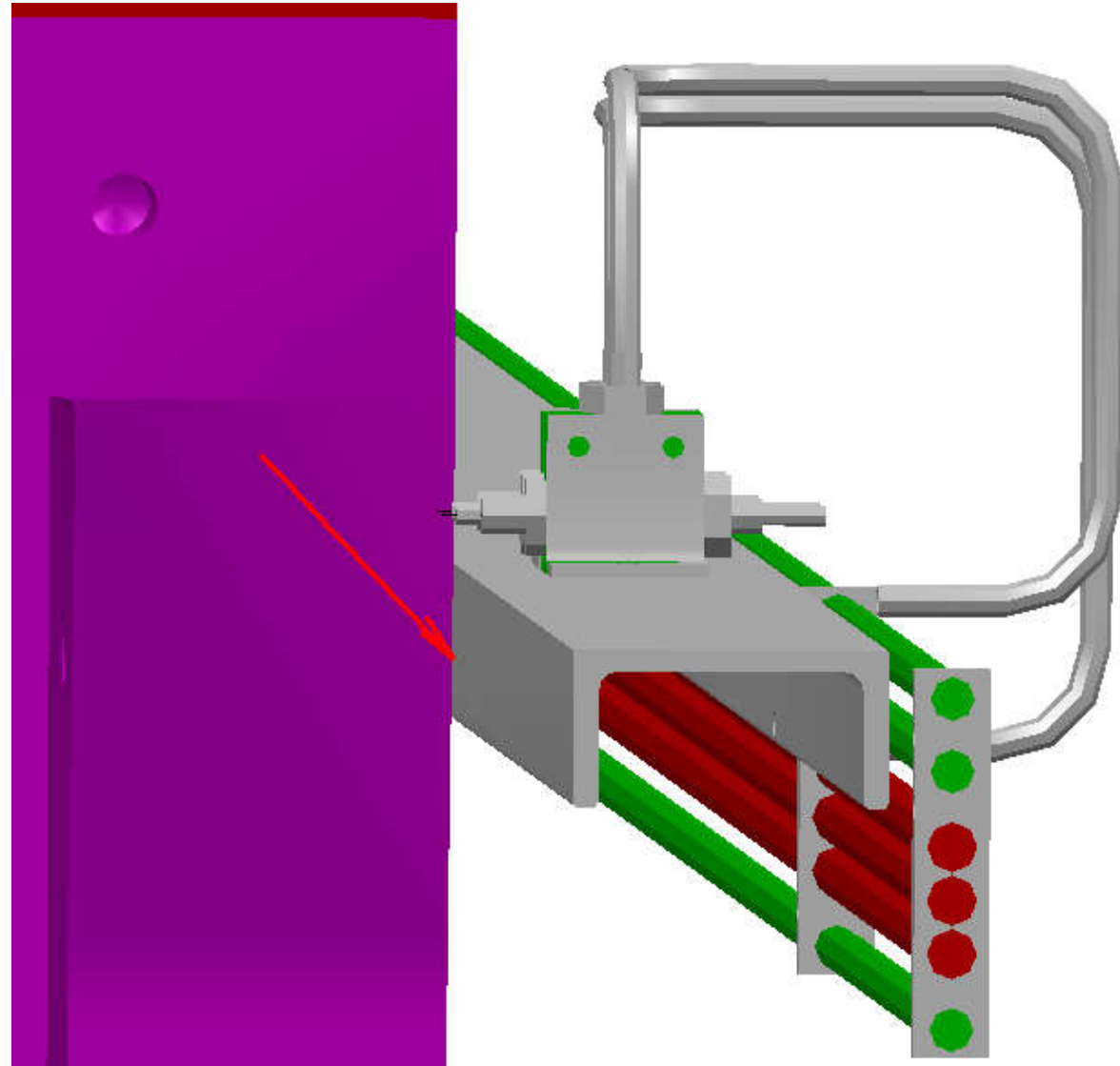
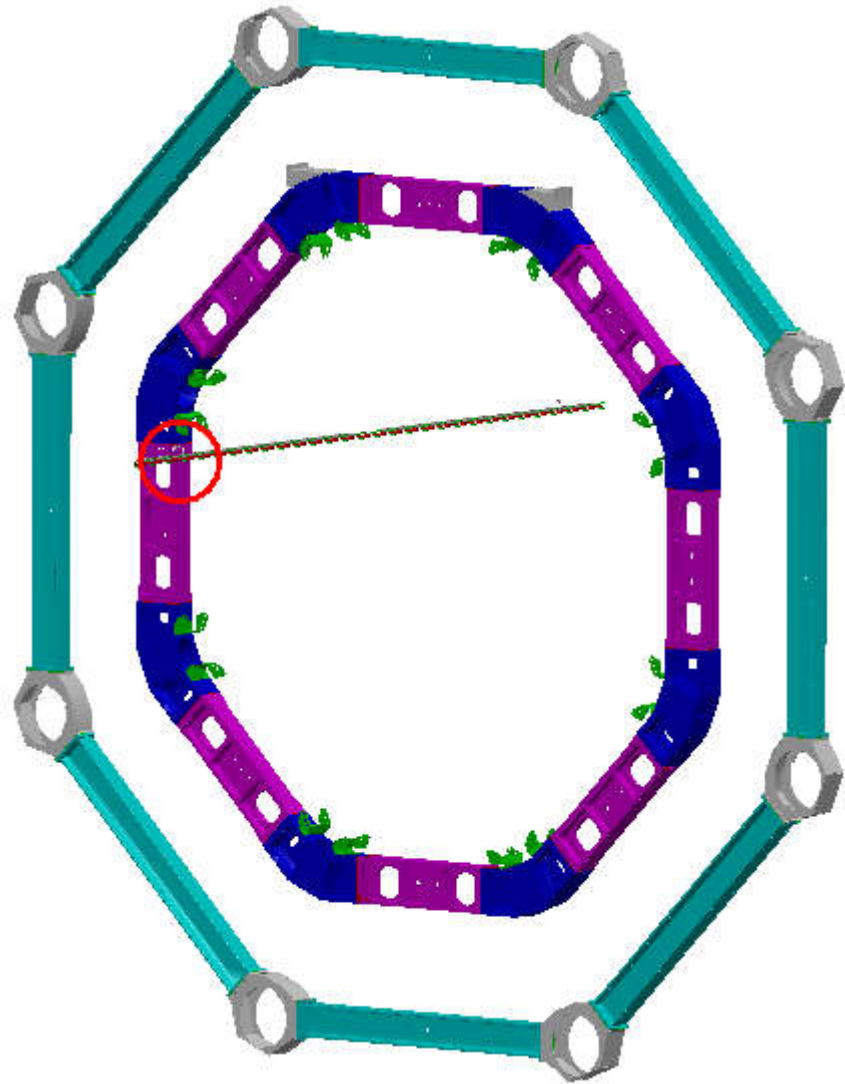
AT782706MQ - PR:
BIS,BIL_SECT1_6MANIFOLDS

AT812127MQ-M - WARM STRUCTURE

Contact

0

Not inspected



SIDE C

Sector 1