

Clearance Publish

Clearance=50mm



Clearance Computation Specification			
Products Selected			
AT782700MQ PR: BIS, BIL_Sect1_2Manifolds	AT812126MQ TB Warm Structure	35.5mm	Not Relevant
	AT812127MQ TB Warm Structure	15.19mm	Not Relevant
	AT812126MQ-M TB Warm Structure	36mm	Not Relevant
	AT812126MQ-M TB Warm Structure	15.19mm	Not Relevant

Revised with Pavel 18/11/2005

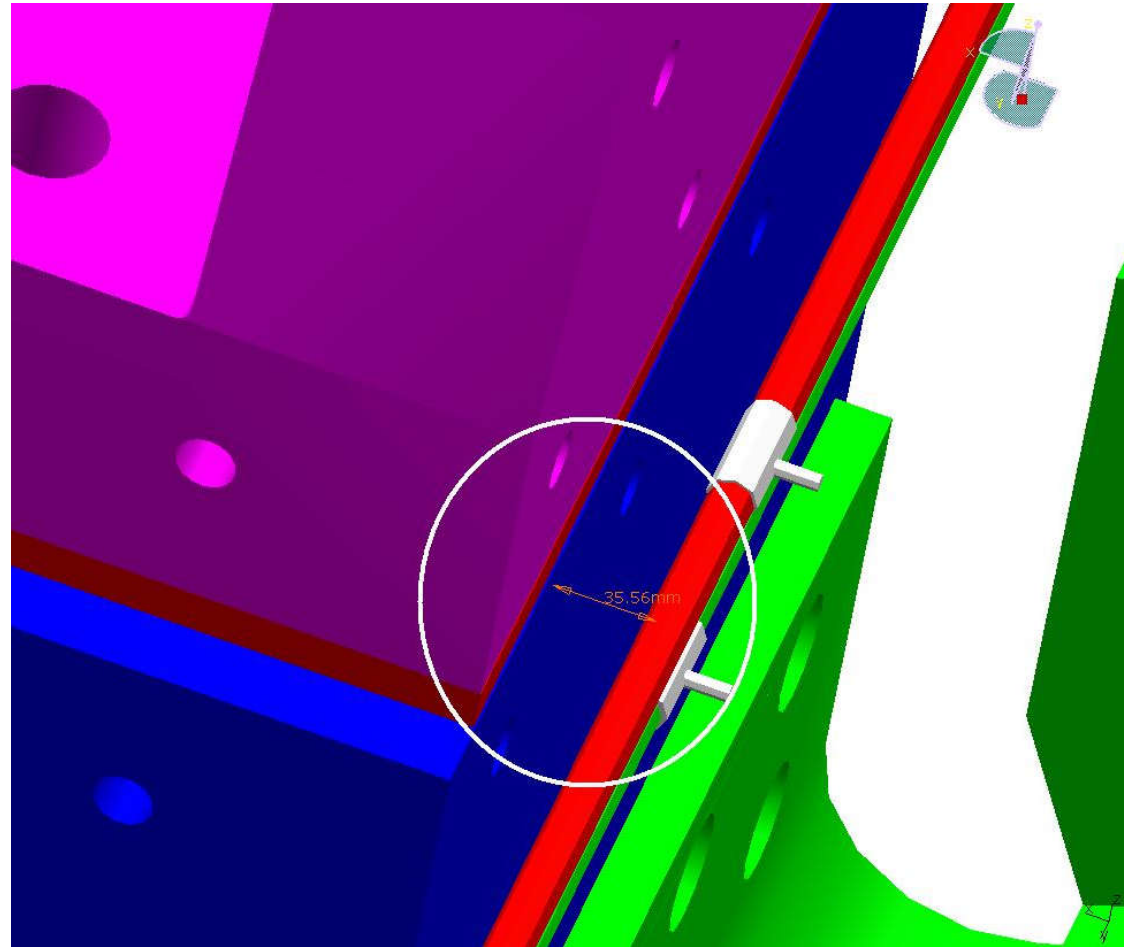
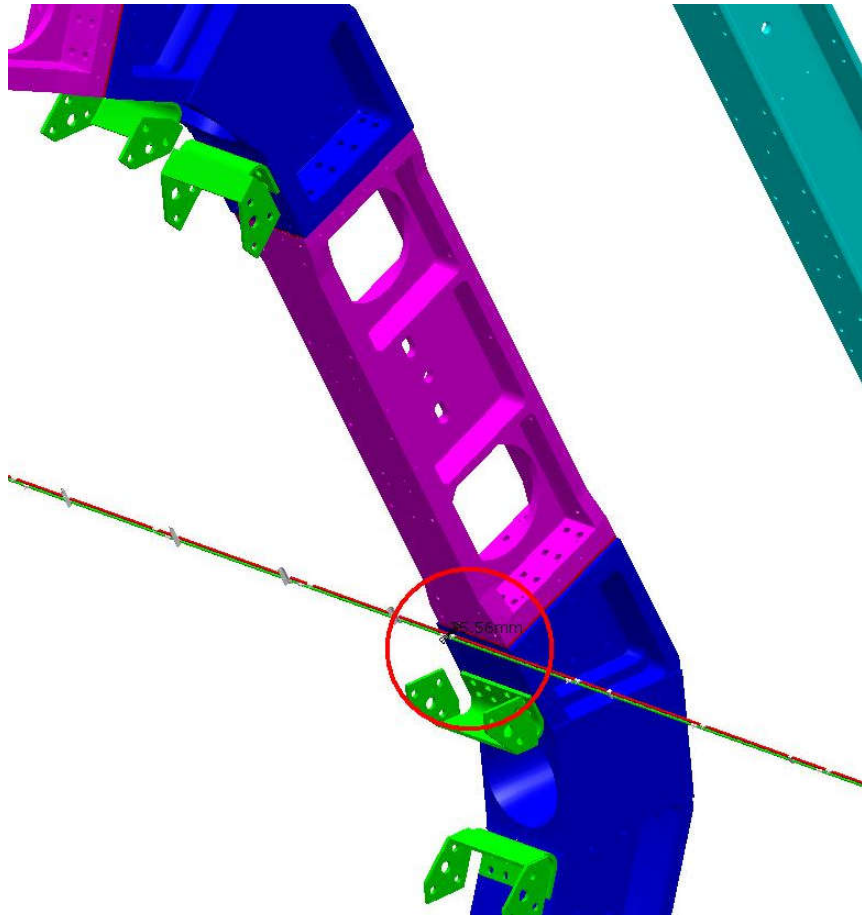
AT782700MQ PR: BIS,
BIL_Sect1_2Manifolds

AT812126MQTB Warm Structure

Vector coordinate
 $\Delta X=35.5\text{mm}$ $\Delta Y=0\text{mm}$ $\Delta Z=0\text{mm}$

35.5 mm

Not inspected



Side A

Sector 1

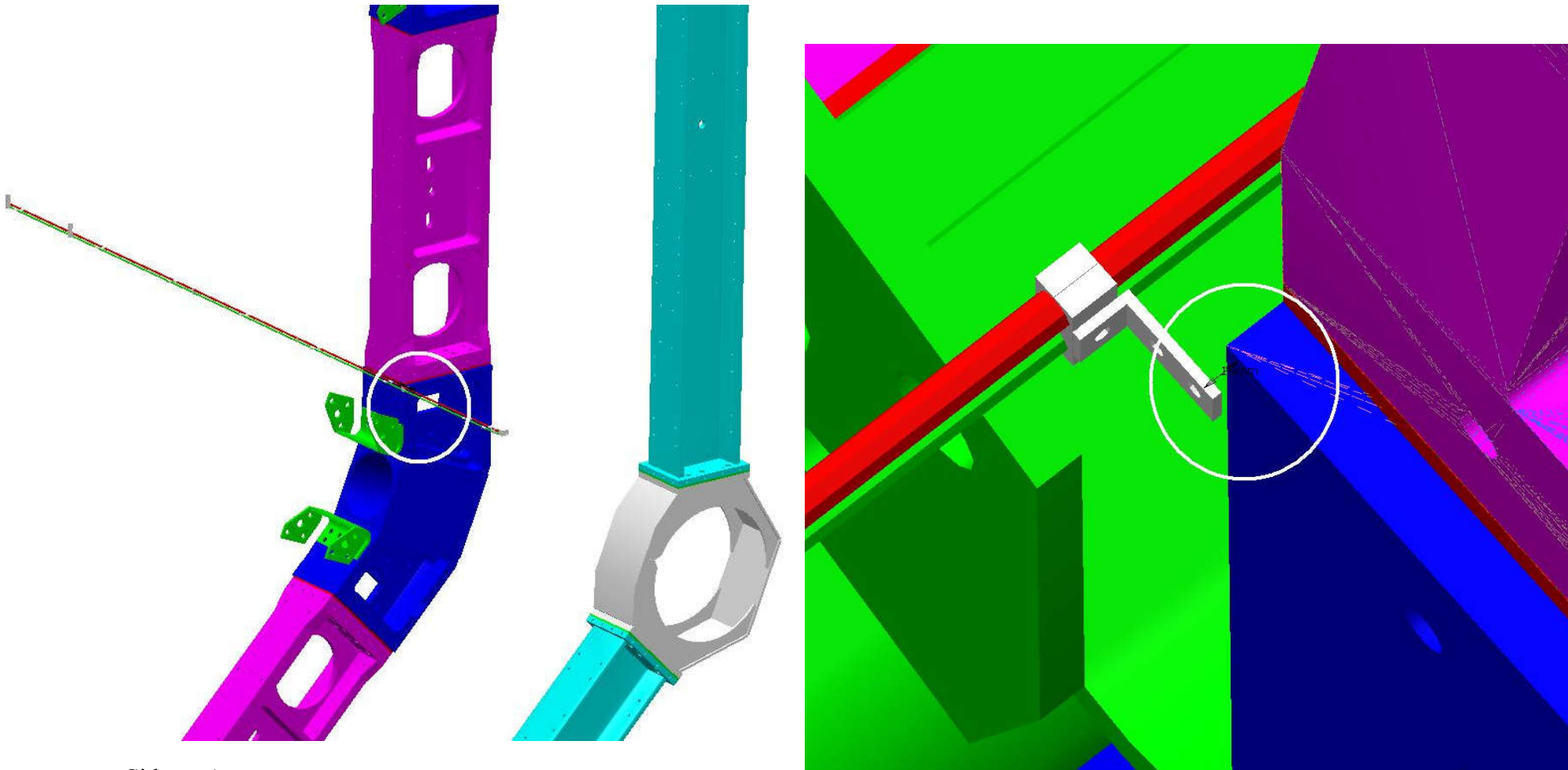
AT782700MQ PR: BIS,
BIL_Sect1_2Manifolds

AT812127MQTB Warm Structure

Vector coordinate
 $\Delta X=0\text{mm}$ $\Delta Y=15\text{ mm}$ $\Delta Z=0.19\text{mm}$

15.19 mm

Not inspected



Side A

Sector 1

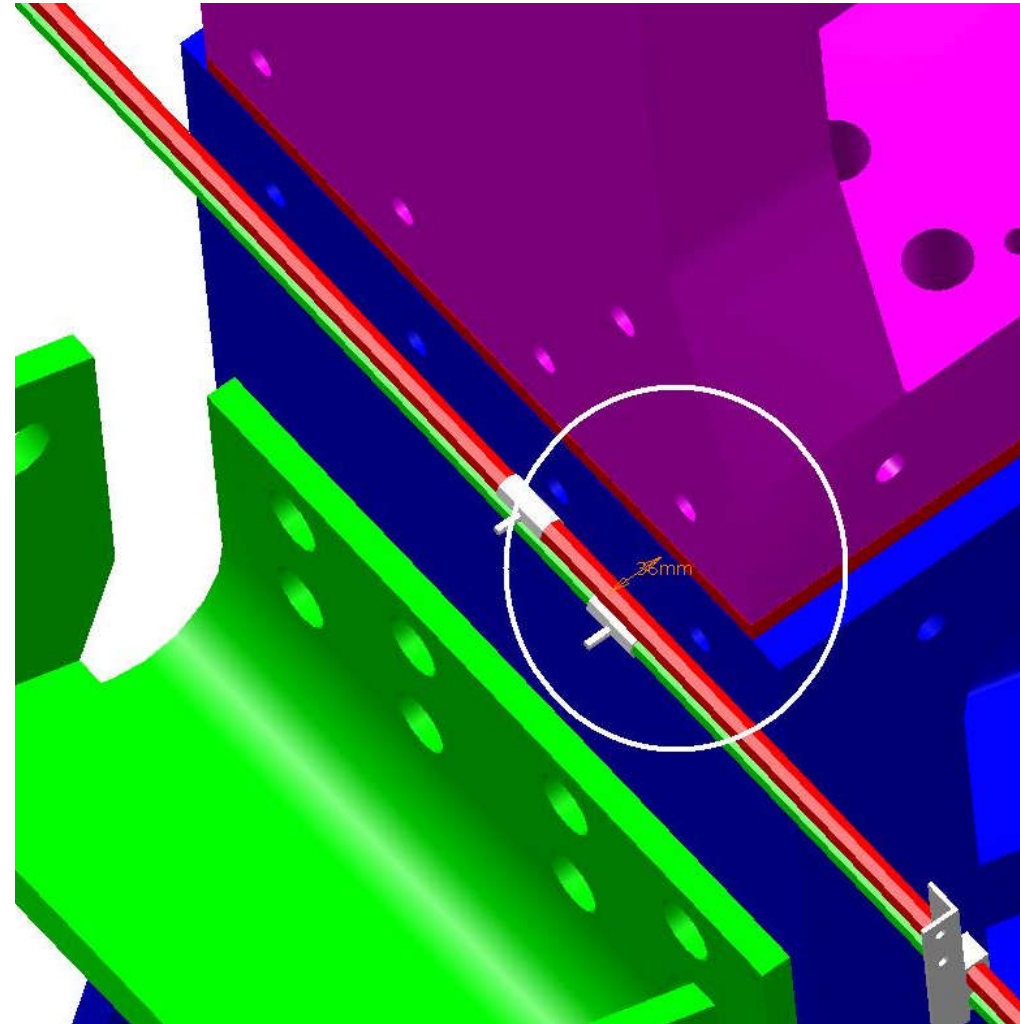
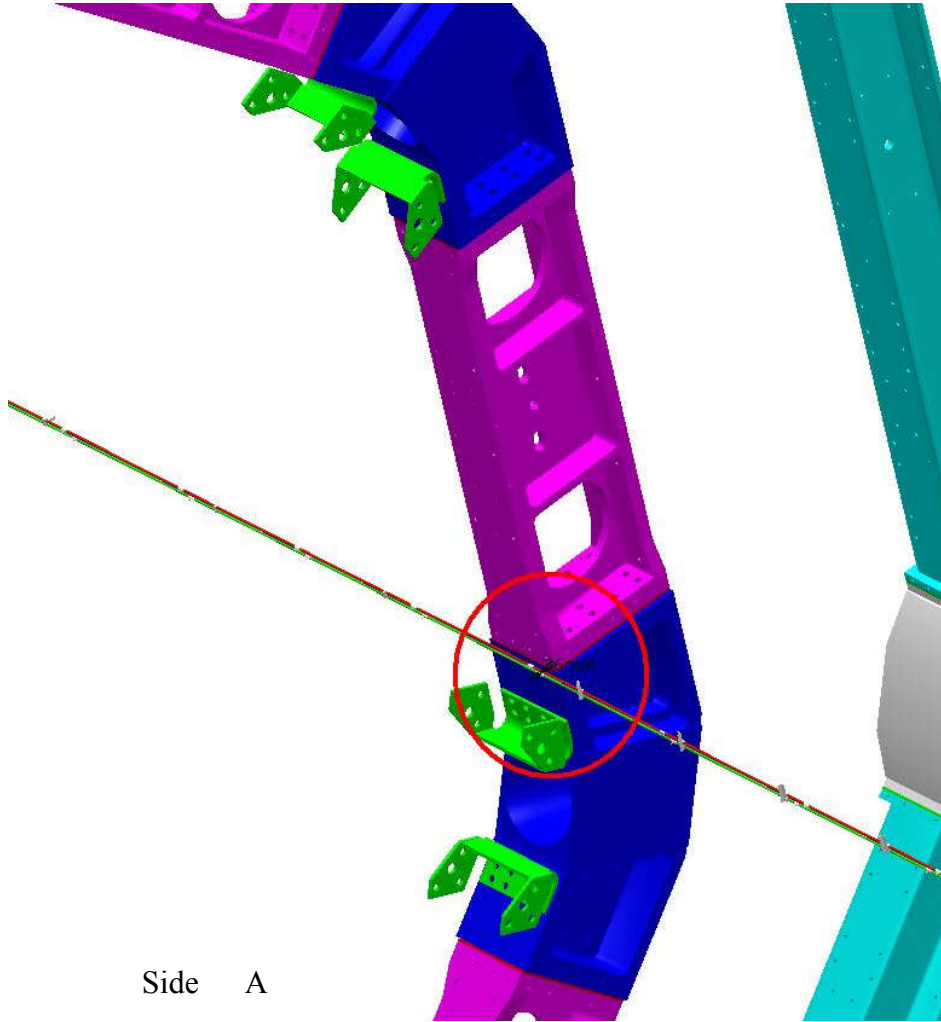
AT782700MQ PR: BIS,
BIL_Sect1_2Manifolds

AT812126MQ-M TB Warm Structure

Vector coordinate
 $\Delta X=36\text{mm}$ $\Delta Y=0\text{mm}$ $\Delta Z=0\text{mm}$

36 mm

Not inspected



Side A
Sector 1

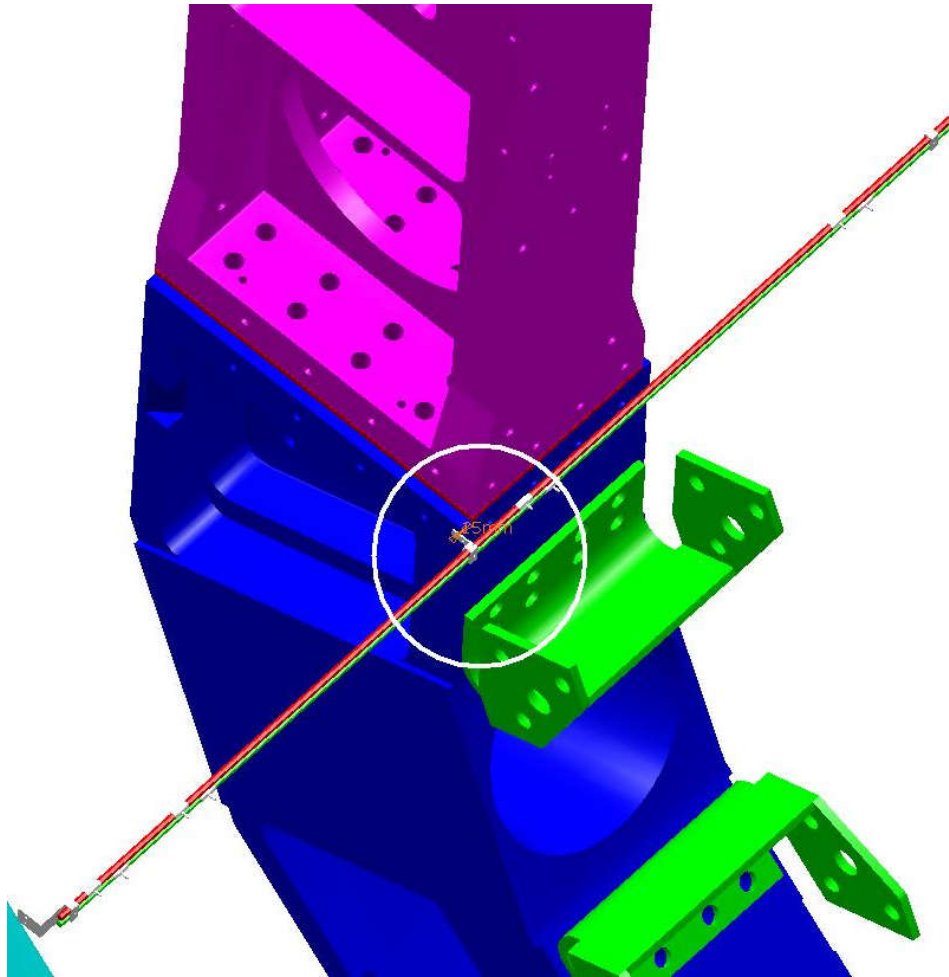
AT782700MQ PR: BIS,
BIL_Sect1_2Manifolds

AT812127MQ-M TB Warm Structure

Vector coordinate
 $\Delta X=0\text{mm}$ $\Delta Y=-15\text{ mm}$ $\Delta Z=-0.19\text{mm}$

15.19 mm

Not inspected



Side C
Sector 1

