



## Clash Publish

| Clash Computation Specification |  |          |              |
|---------------------------------|--|----------|--------------|
| Products Selected               |  | Value    | Status       |
| AT732515MQ - VACUUM PIPES (RUN) | ZHX__0001 - ACCESS ELEVATORS - GLOBAL ENVELOPE | -404.1mm | Not Relevant |

**Computation Result:**

Revised with Denis 28/07/2005

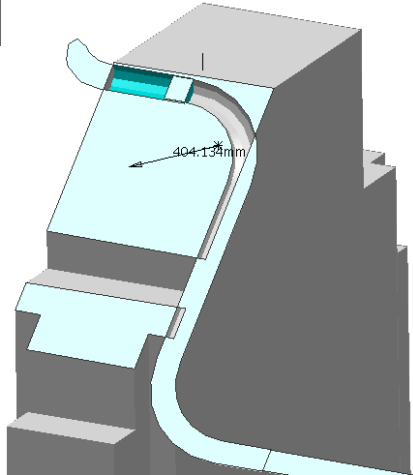
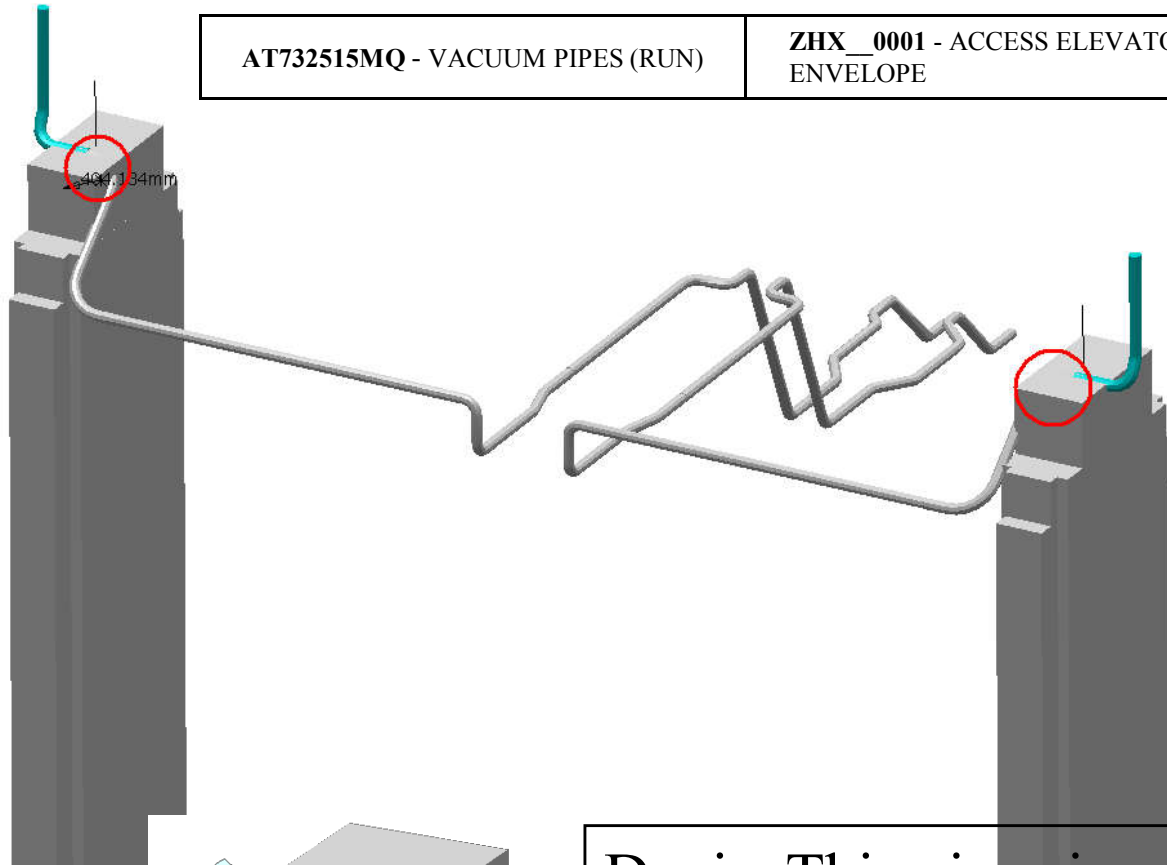
AT732515MQ - VACUUM PIPES (RUN)

ZHX\_0001 - ACCESS ELEVATORS - GLOBAL ENVELOPE

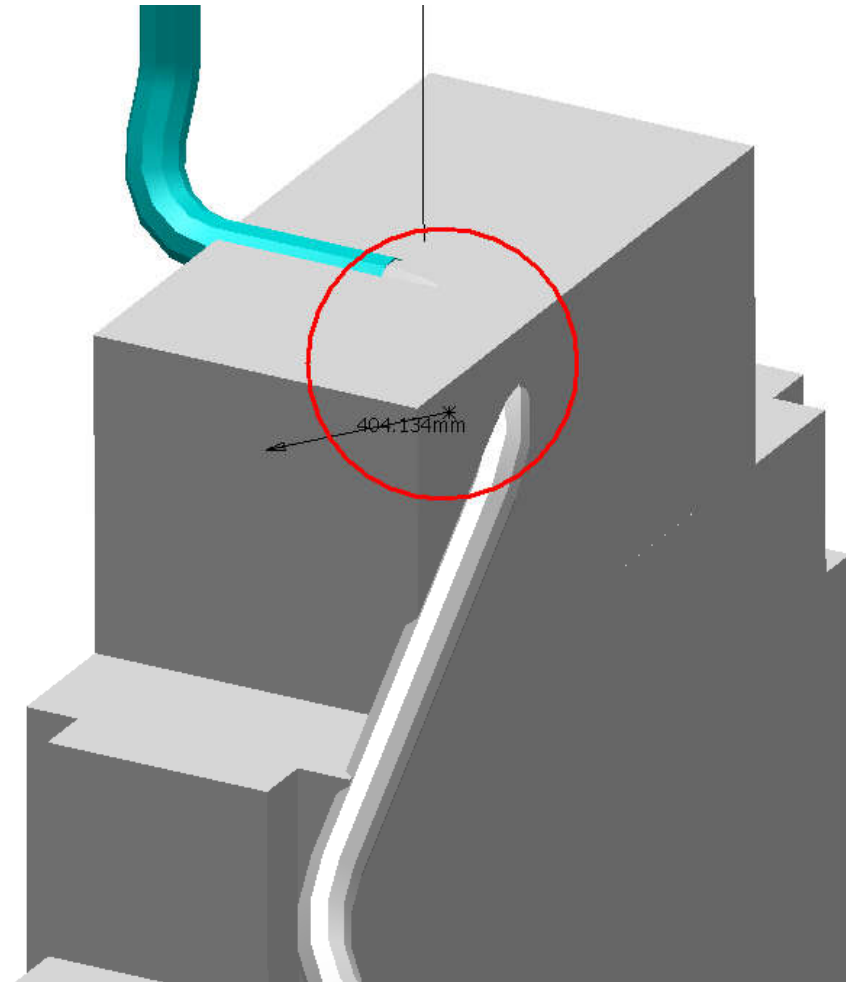
Clash

-404.1mm

Not Relevant



Denis: This pipes in run position. It means that when calorimeter in run position the lift is not here



Clash value: ~ -404.1mm

SIDE A

Sector 13

