



Clash Publish

Clash Computation Specification			
Products Selected		Value	Status
AT722863MQ - (DEN)ID Trays+Supports SEC13 SEDE	NTB_0003 - TB WARM STRUCTURE - SIMPLIFIED 3-D OBJECT	-64.6 mm	Not inspected
	ATCVHB_0002 M - STANDARD PAIR OF FEET A1 (C1) - DETAILED MODEL FOR STANDARDS	-55.8 mm	Not inspected

Computation Result:

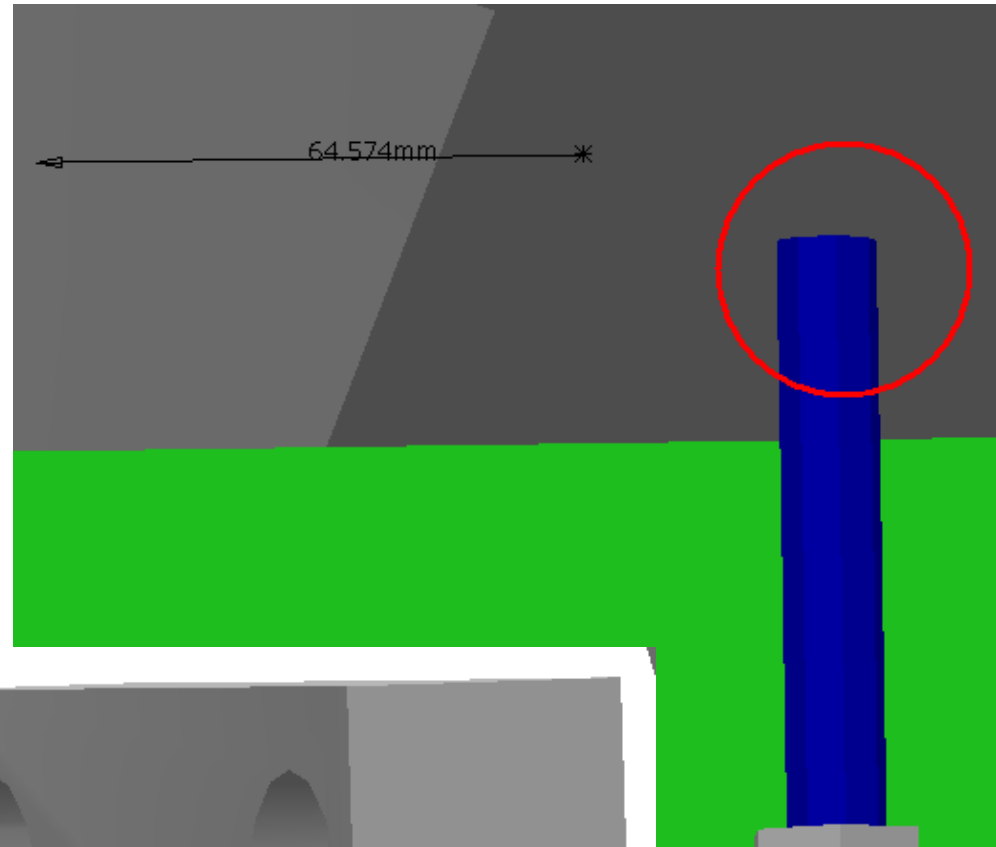
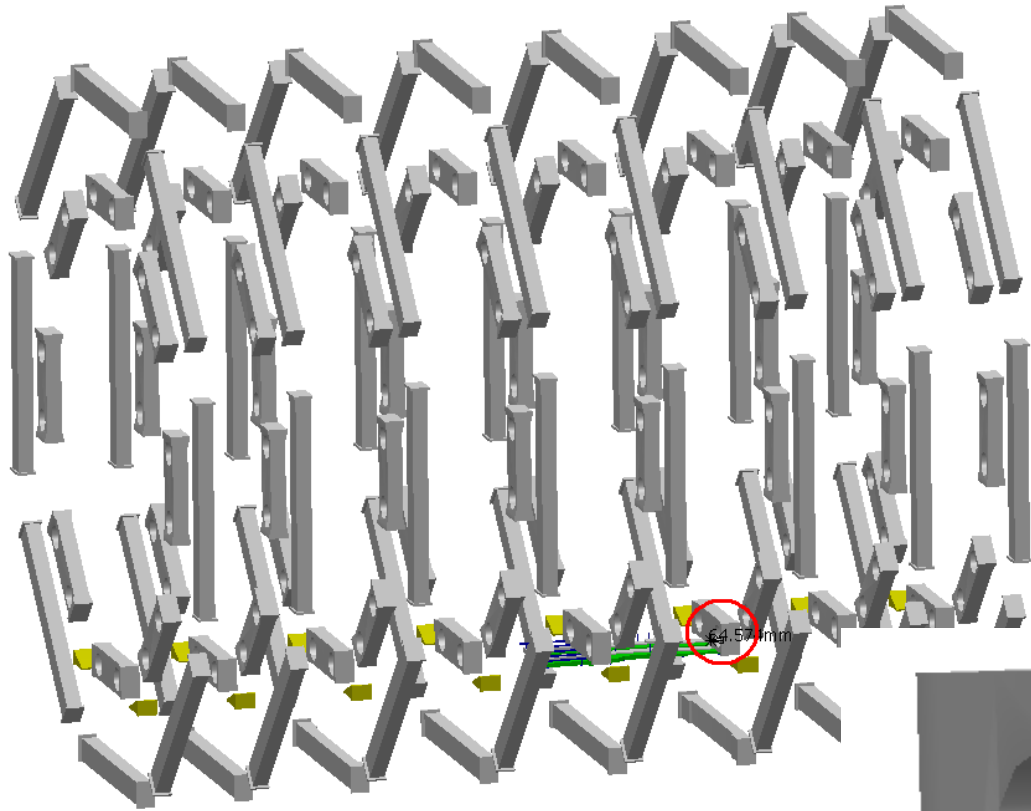
AT722863MQ - (DEN)ID Trays+Supports
SEC13 SEDE

NTB_0003 - TB WARM STRUCTURE -
SIMPLIFIED 3-D OBJECT

Clash

-64.6 mm

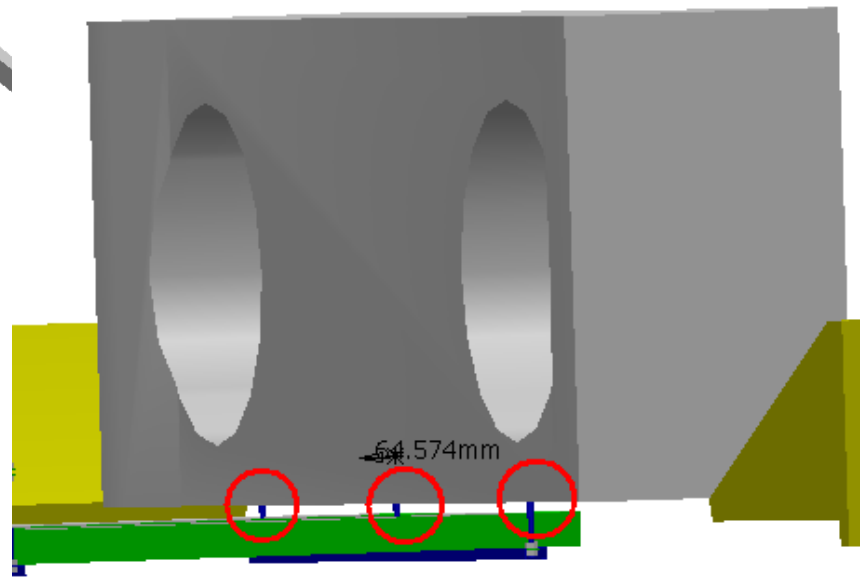
Not inspected



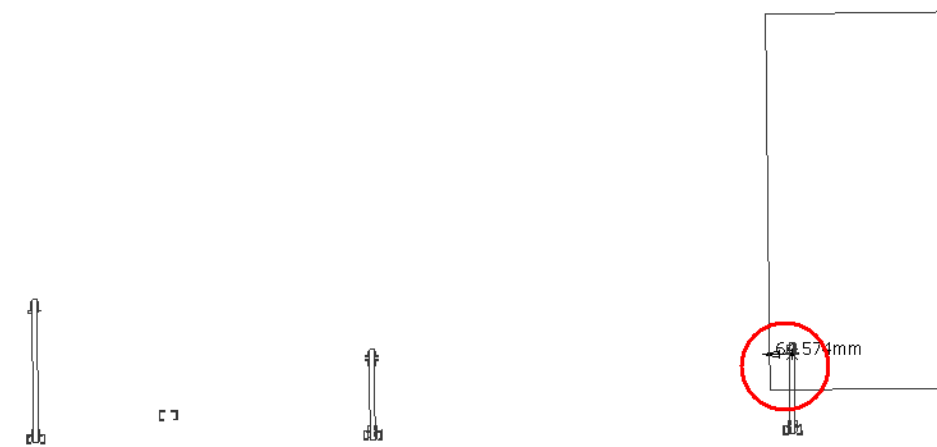
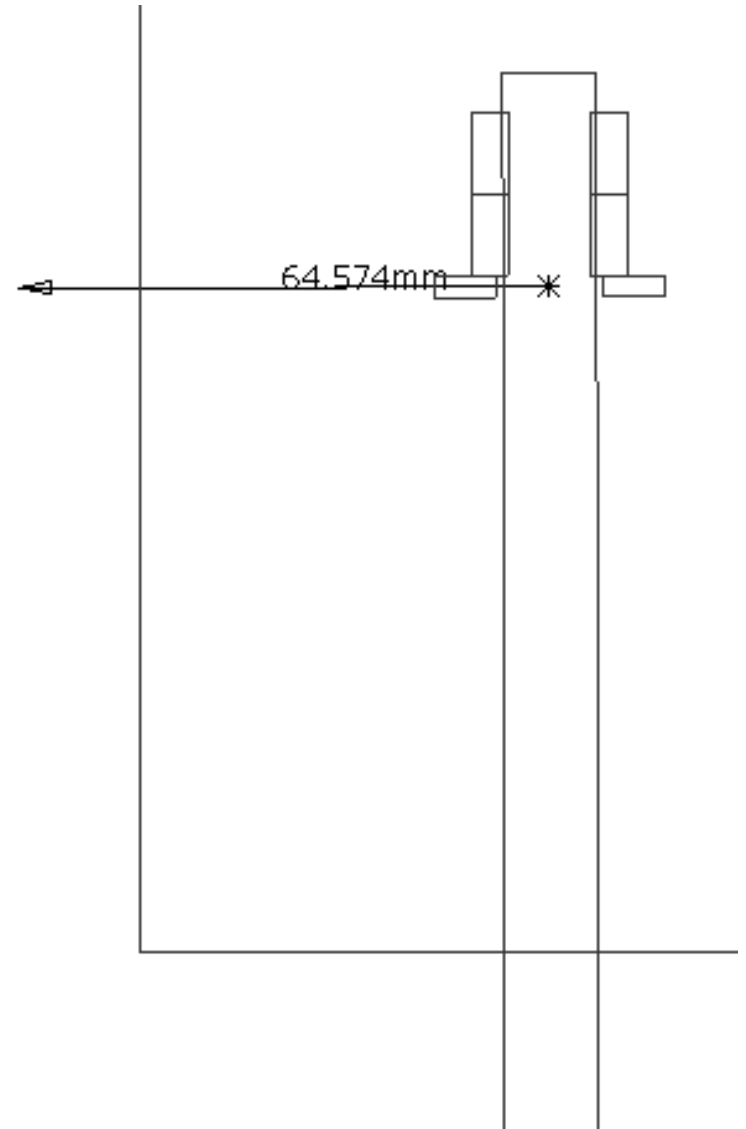
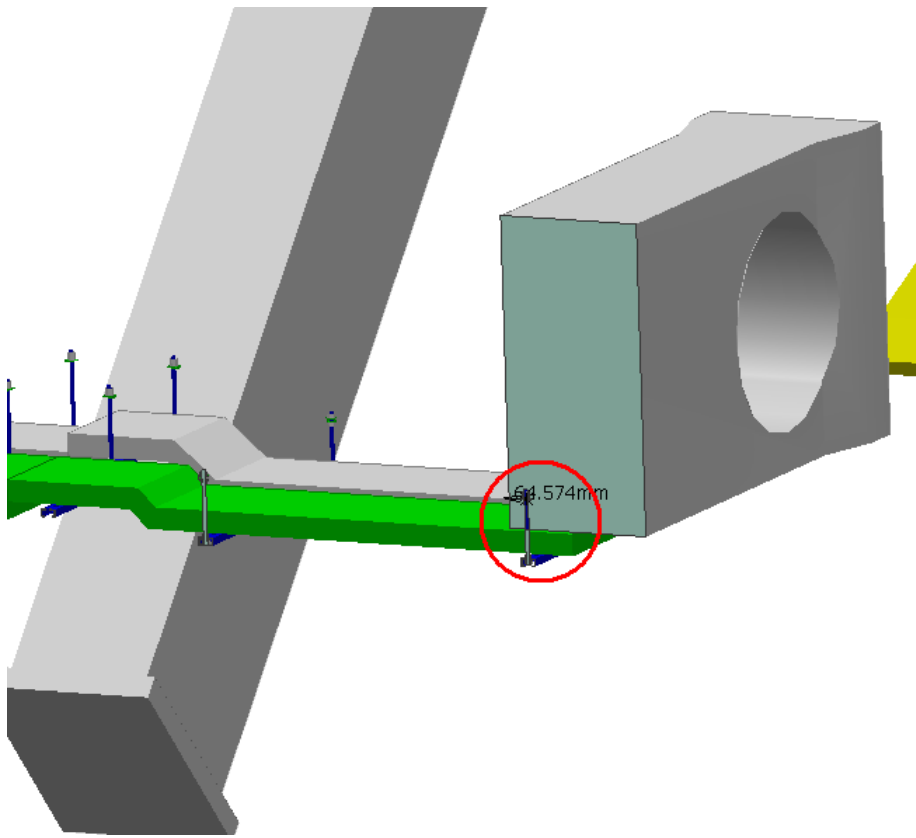
Clash value: ~ 64.6 mm

SIDE C

Sector 13



Clash View:



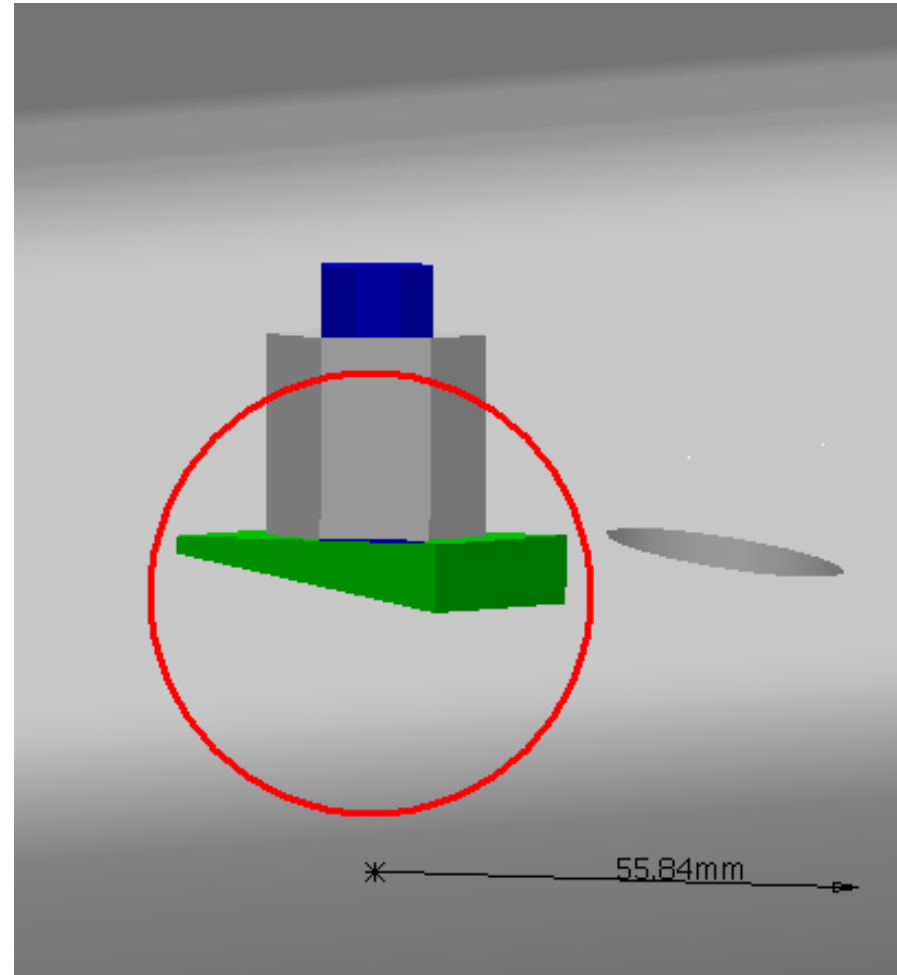
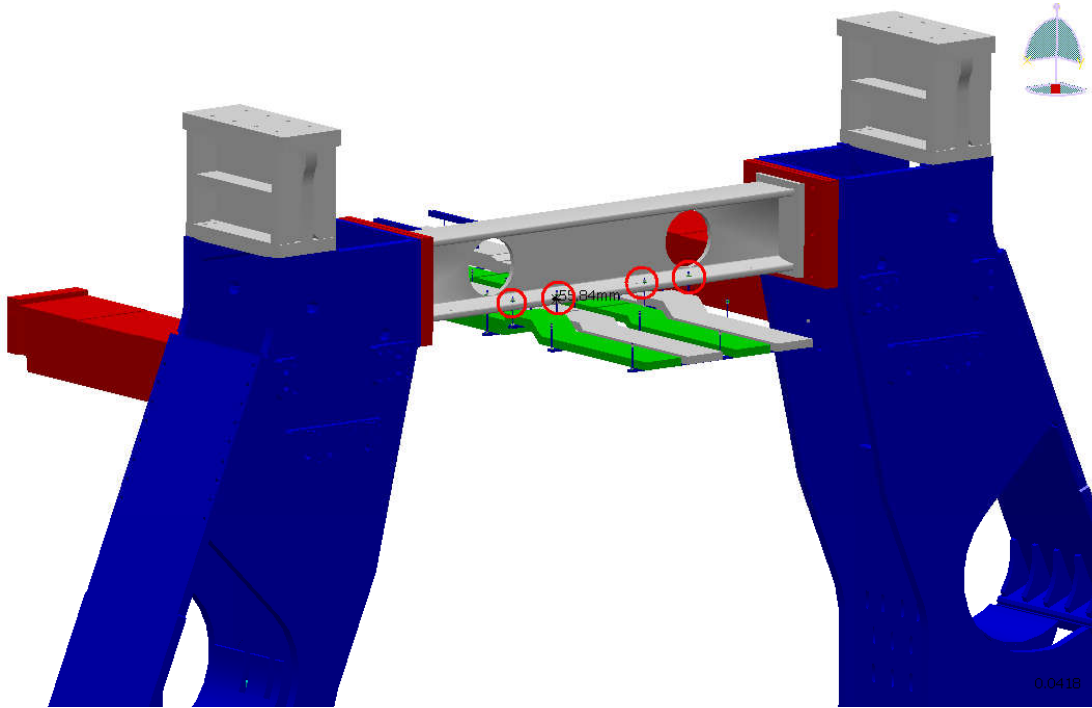
AT722863MQ - (DEN)ID
Trays+Supports SEC13 SEDE

ATCVHB_0002 M - STANDARD PAIR OF FEET A1 (C1) -
DETAILED MODEL FOR STANDARDS

Clash

-55.8 mm

Not inspected



Clash value: ~ 55.8 mm

SIDE C

Sector 13

Clash View:

