



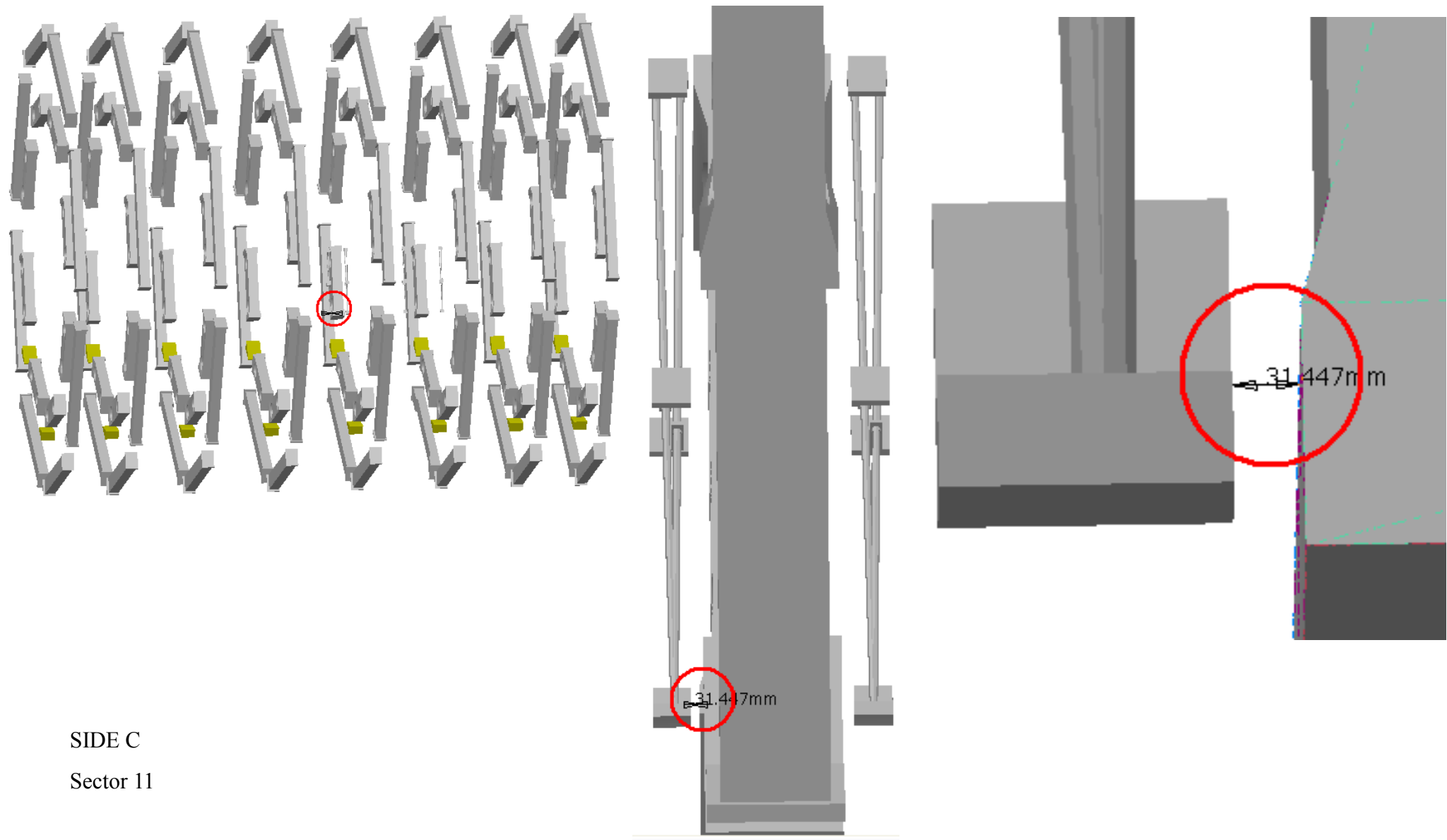
Clearance Publish

Clearance = 50mm

Clearance Computation Specification			
Products Selected		Value	Status
AT672136MQ - C-TO-C Alignment Sec.11, Side C	NTB_0003 - TB WARM STRUCTURE - SIMPLIFIED 3-D OBJECT	31.4 mm	Not inspected
	NTB_0005 - TB WARM STRUCTURE - RING OF THE VOUSOIRS, STRUTS	31.4 mm	Not inspected

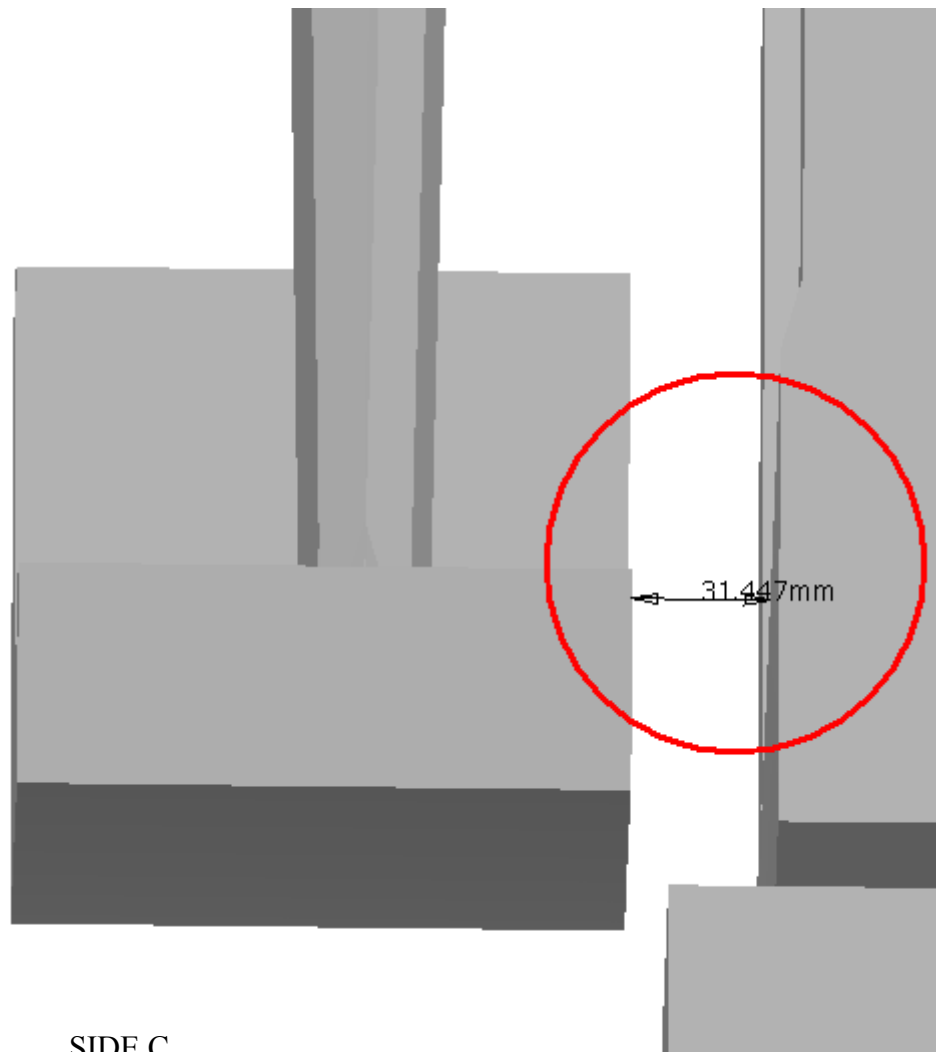
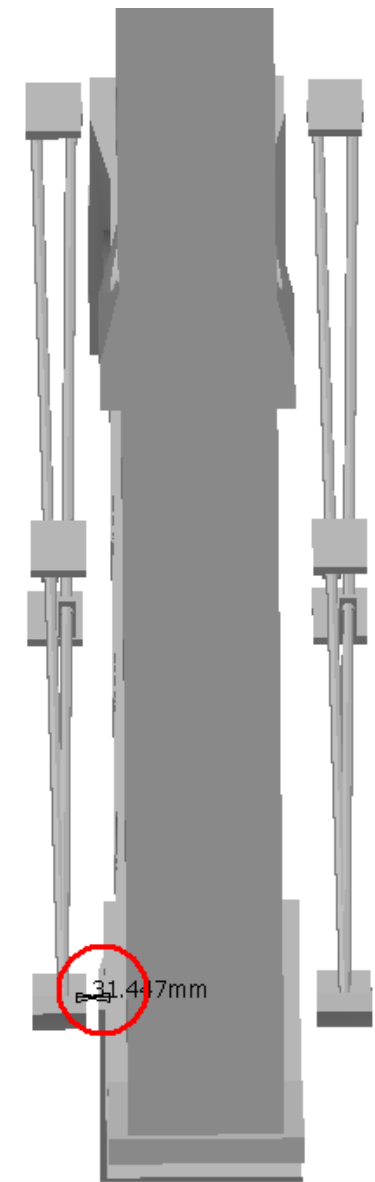
Computation Result:

AT672136MQ - C-TO-C Alignment Sec.11, Side C	NTB_0003 - TB WARM STRUCTURE - SIMPLIFIED 3-D OBJECT	Clearance	31.4 mm			Not inspected
			$\Delta X \approx 0$	$\Delta Y \approx 0$	$\Delta Z \approx 31.4$	



SIDE C
Sector 11

AT672136MQ - C-TO-C Alignment Sec.11, Side C	NTB_0005 - TB WARM STRUCTURE - RING OF THE VOUSSOIRS, STRUTS	Clearance	31.4 mm			Not inspected
			$\Delta X \approx 0$	$\Delta Y \approx 0$	$\Delta Z \approx 31.4$	



SIDE C
Sector 11