

# Clearance Publish

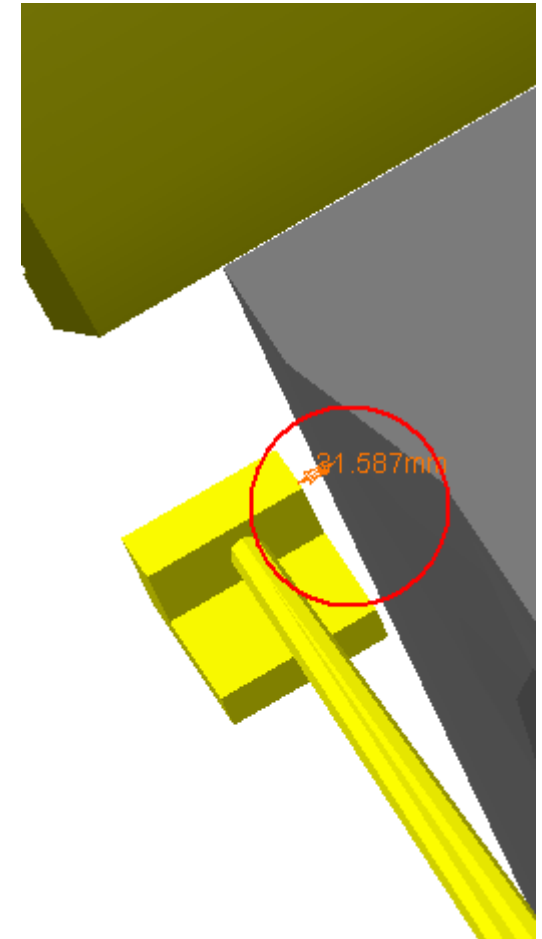
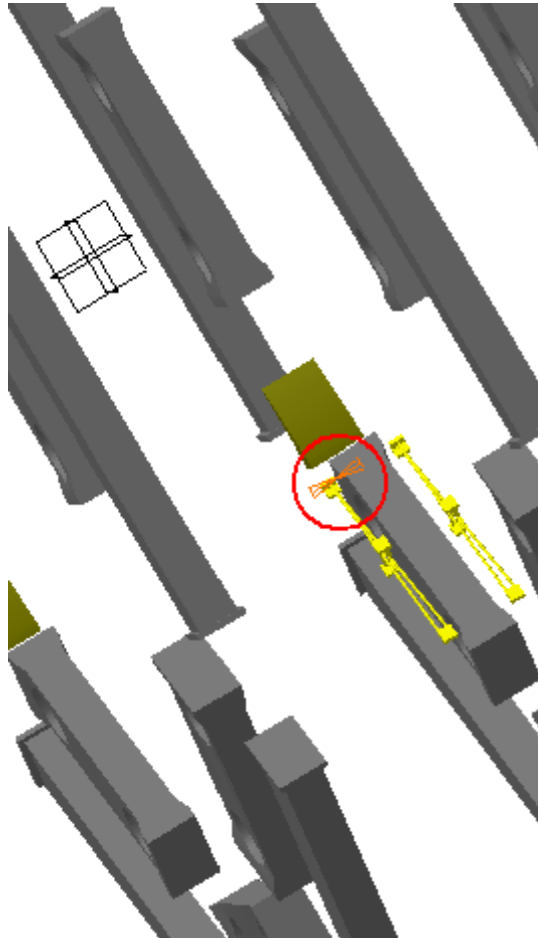
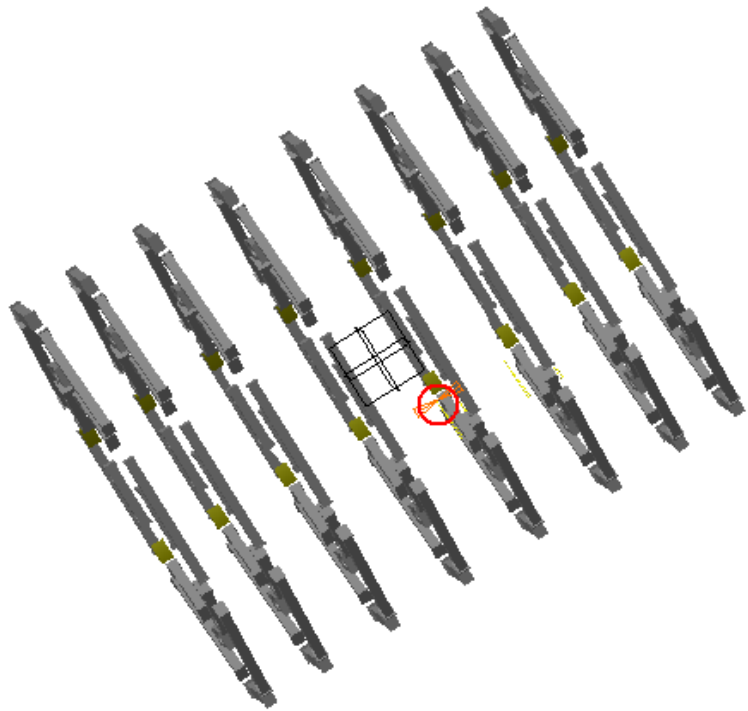
Clearance=50mm



Clearance Computation Specification				
Products Selected				
AT672134MQ C-TO-C Alignment Sect.15	ATCNTB_0003	TB WARM STRUCTURE - SIMPLIFIED 3-D OBJECT	31.59	Not inspected
	ATCNTB_0005	TB WARM STRUCTURE - RING OF THE VOUSOIRS, STRUTS	31.59	Not inspected

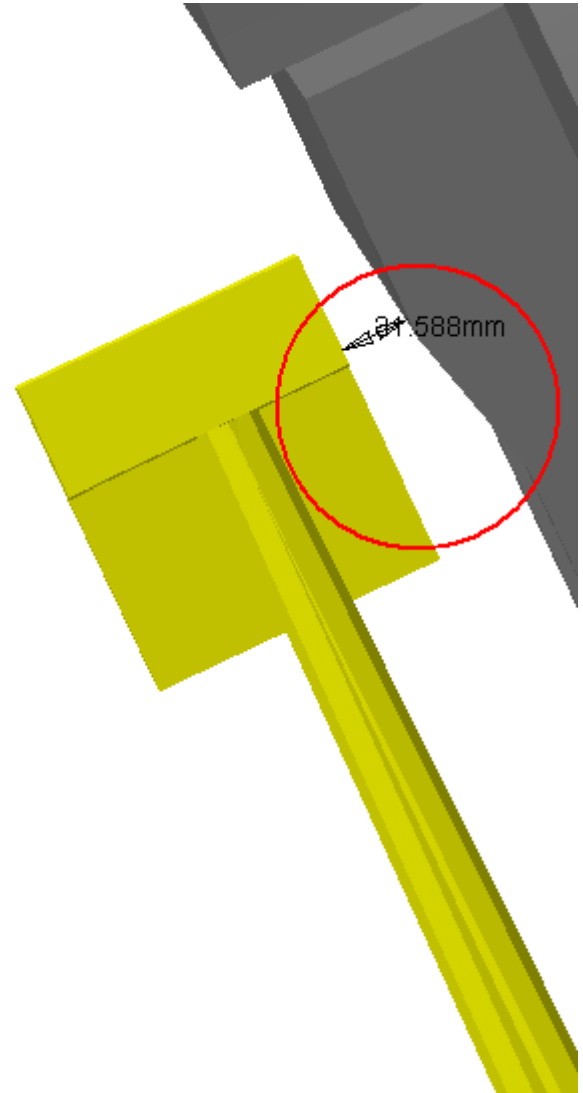
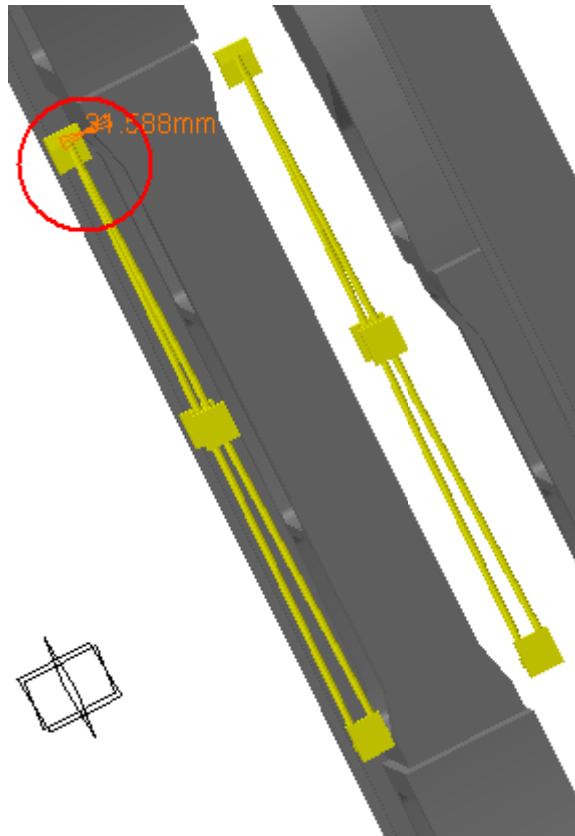
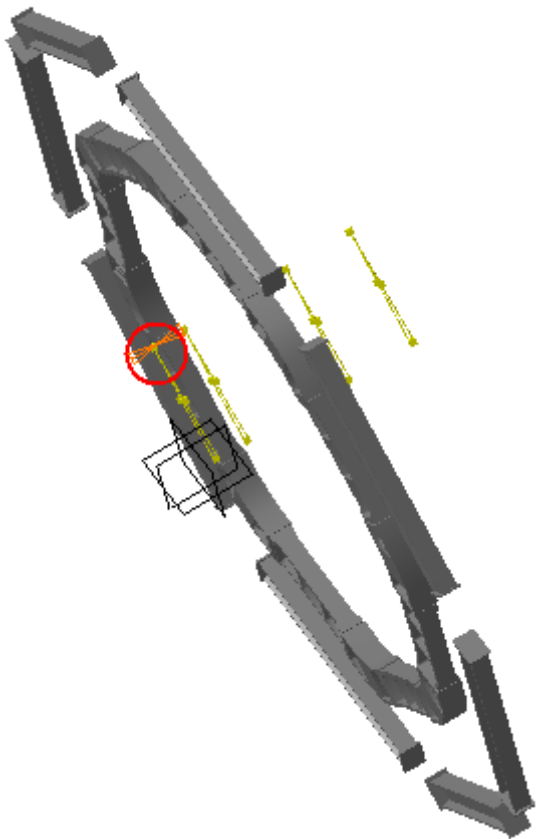
Revised by Philippe Schune 29/07/2005

AT672134MQ C-TO-C Alignment Sect.15	ATCNTB_0003 TB WARM STRUCTURE - SIMPLIFIED 3-D OBJECT	Vector coordinate $\Delta X \approx 0\text{mm}$ $\Delta Y \approx 0.39\text{mm}$ $\Delta Z \approx 31.58\text{mm}$	31.59mm	Not inspected
--	---	---	---------	---------------



Side C  
 Sector 15

AT672134MQ C-TO-C Alignment Sect.15	ATCNTB_0005 TB WARM STRUCTURE - RING OF THE VOUSSOIRS, STRUTS	Vector coordinate $\Delta X \approx -0.000048\text{mm}$ $\Delta Y \approx 0.39\text{mm}$ $Z \approx 31.59\text{mm}$	31.59mm	Not inspected
--	---	--	---------	---------------



Side C  
 Sector 15