

Clash Publish



Clash Computation Specification

Products Selected		Value	Status
AT632810MQ - ALIGNMENT BAR EIL4, SIDE A, SECTOR 15	VHB_0003 - STANDARD PAIR OF FEET A2 (C2) - DETAILED MODEL FOR STANDARDS	-145.8 mm	Not inspected
	VHB_0004 - STANDARD PAIR OF FEET A3 (C3) - DETAILED MODEL FOR STANDARDS	-23.3 mm	Not inspected
	VHB_0005 - EXTREMITY PAIR OF FEET A4 (C4) - DETAILED MODEL FOR STANDARDS	-205.4 mm	Not inspected
	AT602166MQ - MUON BARREL CHAMBERS DETAILED - SECTOR 14	-530 mm	Not inspected
	NMC_0017 - MEI, CSC CHAMBERS - SIMPLIFIED 3-D OBJECT	-40 mm	Not inspected
	NSE_0010 - SMALL WHEEL AIR-PAD CHAIN - IN 2 POSITIONS	-10.8 mm	Not inspected
	NTB_0003 - TB WARM STRUCTURE - SIMPLIFIED 3-D OBJECT	-282.1 mm	Not inspected
	NTB_0007 - TB FEET COIL - SECTOR 14	-83.7 mm	Not inspected
	NTB_0001 BT16 - TB STANDARD COIL - SECTOR 16	-9.7 mm	Not inspected
	Z5_0002 - Z5 GLOBAL ENVELOPE (SIDE A) - AND LOCATION INTERFACES	-53.5 mm	Not inspected

Computation Result:

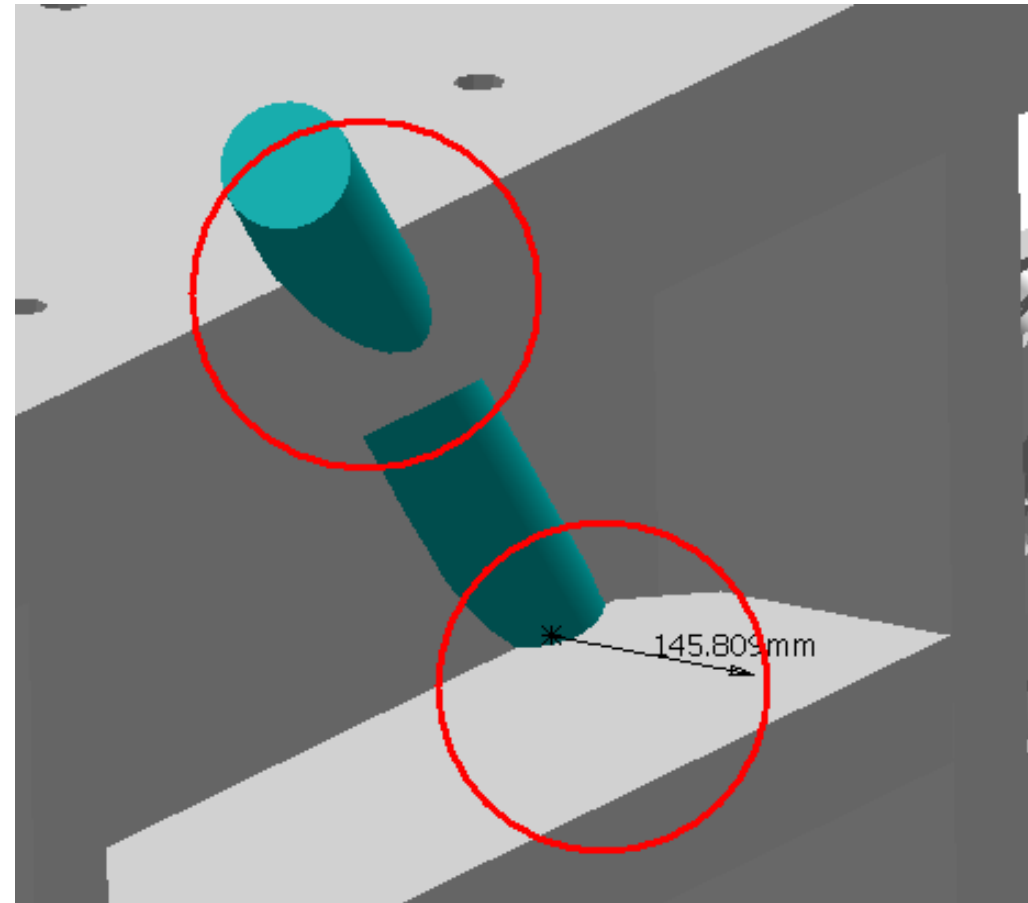
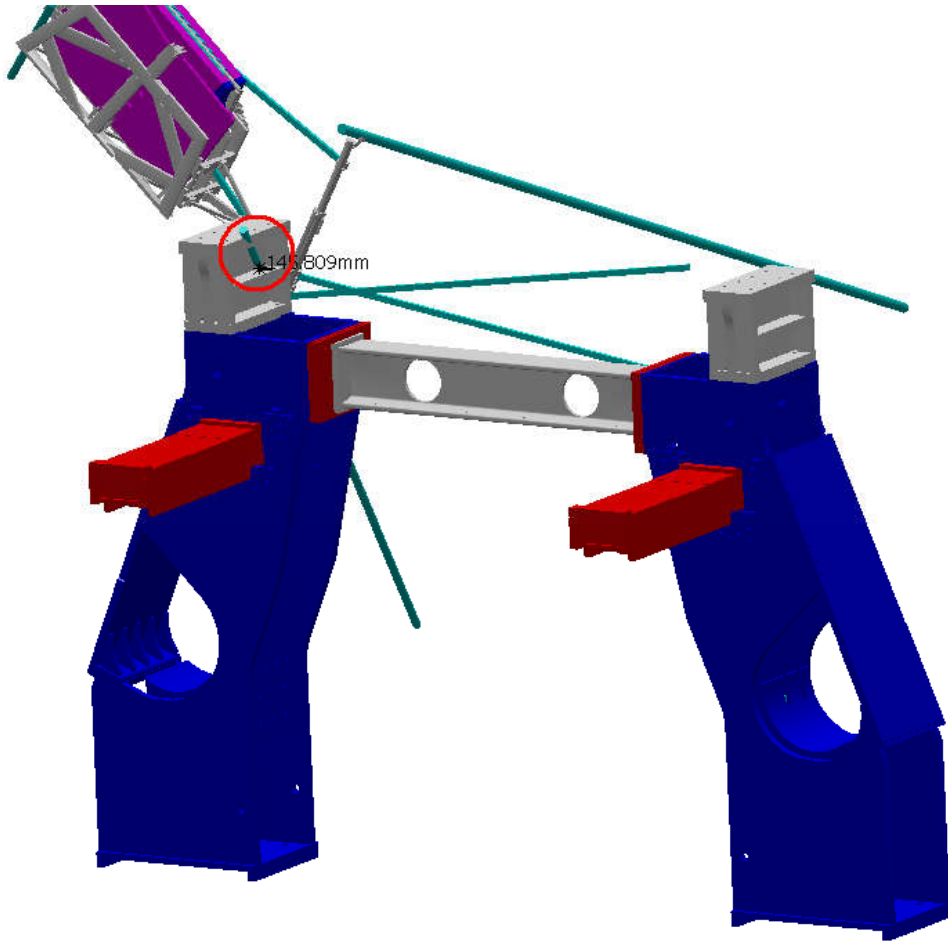
AT632810MQ - ALIGNMENT BAR
EIL4, SIDE A, SECTOR 15

VHB_0003 - STANDARD PAIR OF FEET A2 (C2) -
DETAILED MODEL FOR STANDARDS

Clash

-145.8 mm

Not inspected



Clash value: ~ 145.8 mm

SIDE A

Sector 14

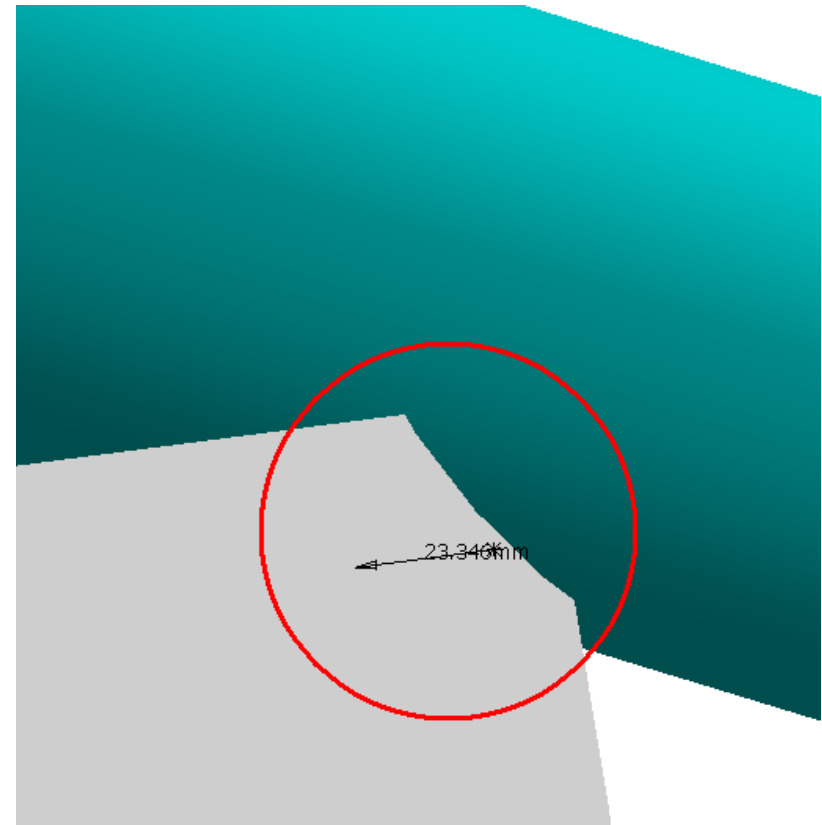
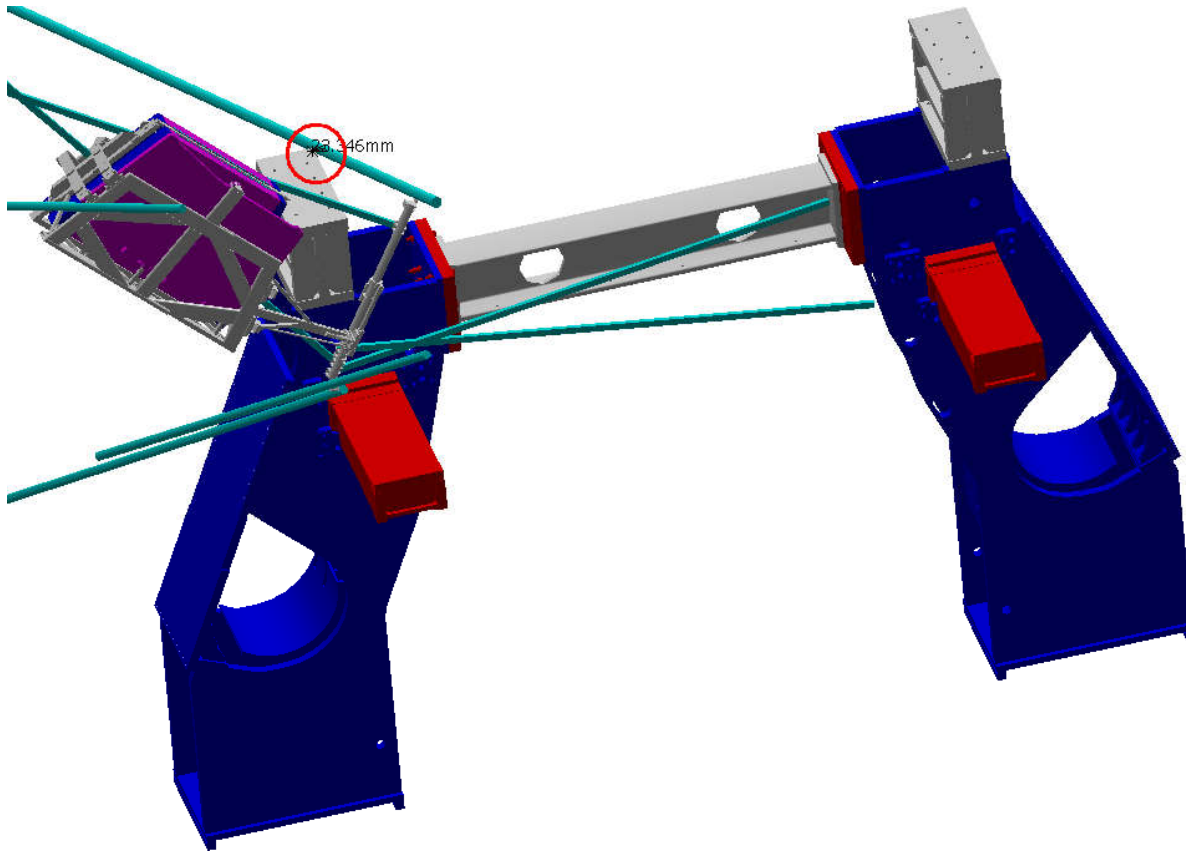
AT632810MQ - ALIGNMENT BAR
EIL4, SIDE A, SECTOR 15

VHB_0004 - STANDARD PAIR OF FEET A3 (C3) -
DETAILED MODEL FOR STANDARDS

Clash

-23.3 mm

Not inspected



Clash value: ~ 23.3 mm

SIDE A

Sector 14

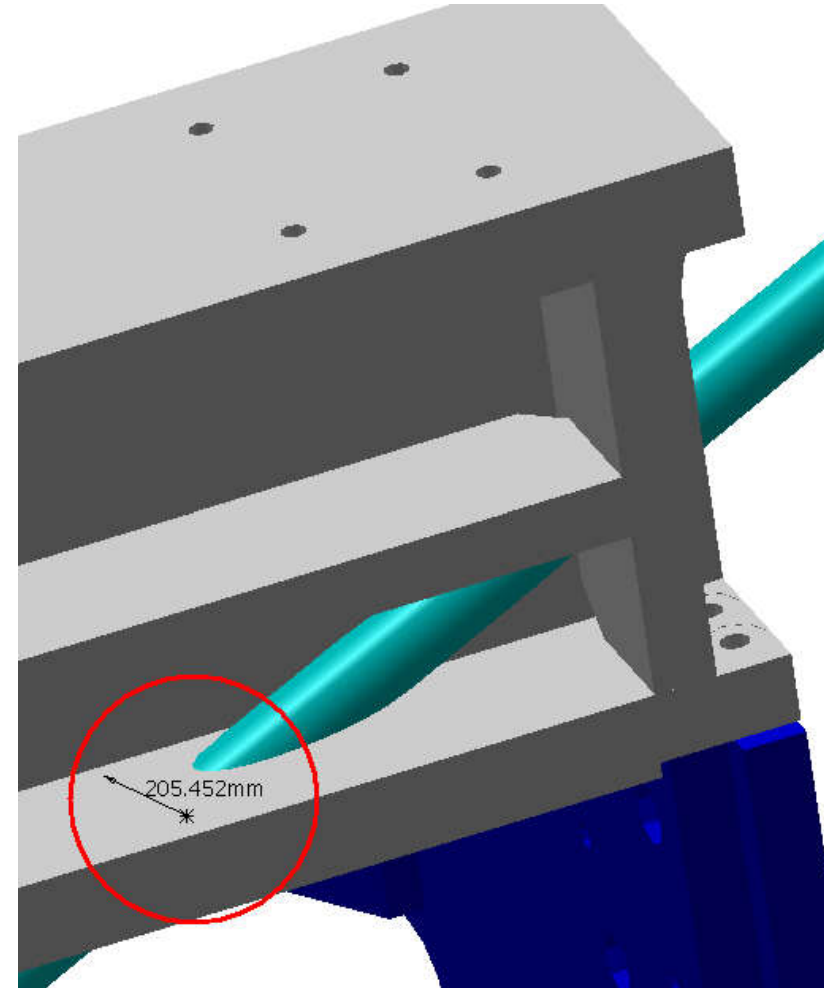
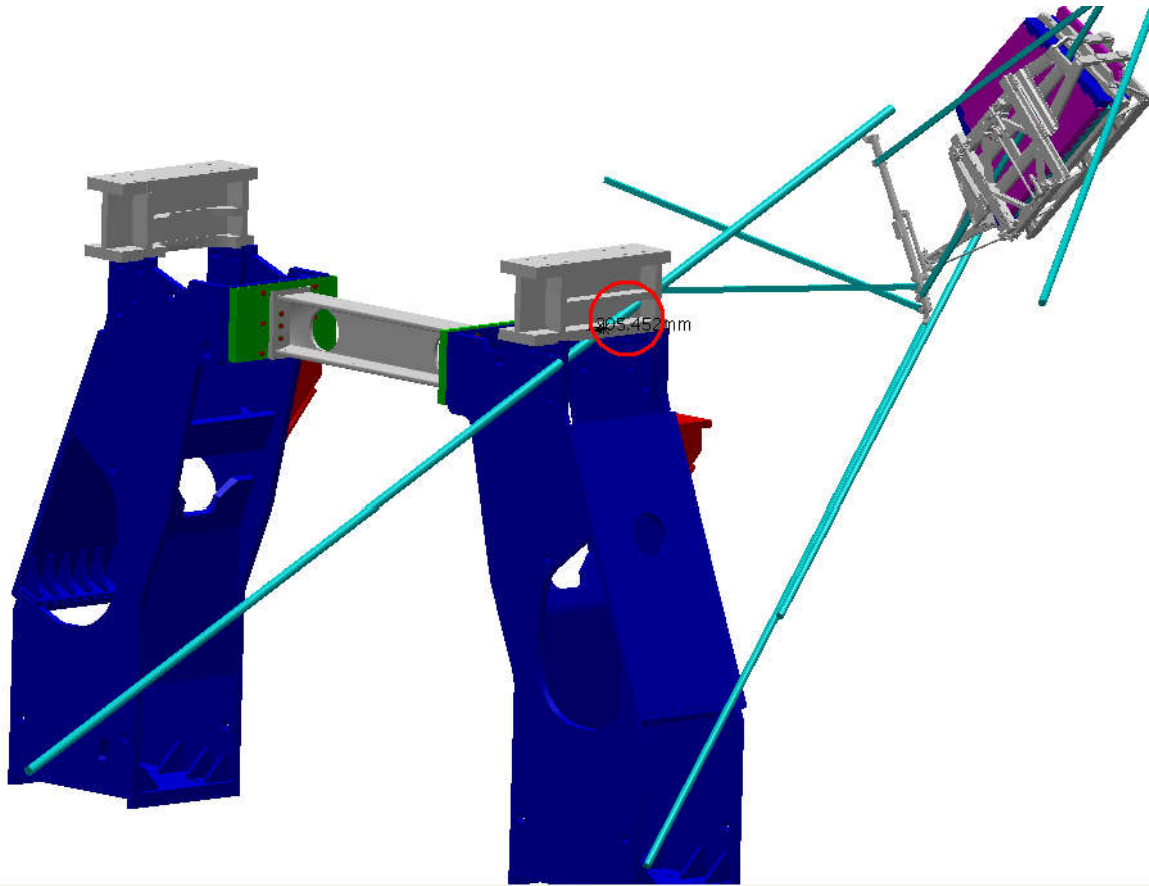
AT632810MQ - ALIGNMENT BAR
EIL4, SIDE A, SECTOR 15

VHB_0005 - EXTREMITY PAIR OF FEET A4 (C4) -
DETAILED MODEL FOR STANDARDS

Clash

-205.4 mm

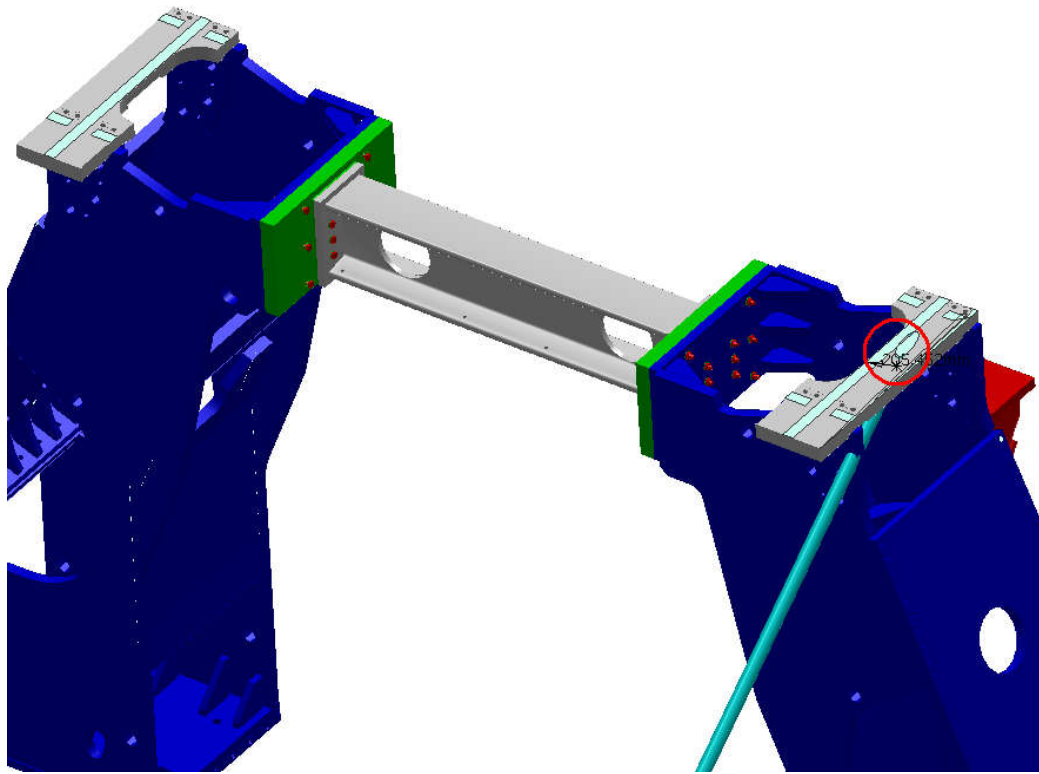
Not inspected



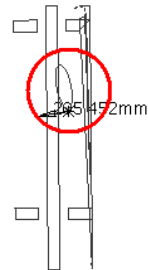
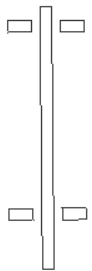
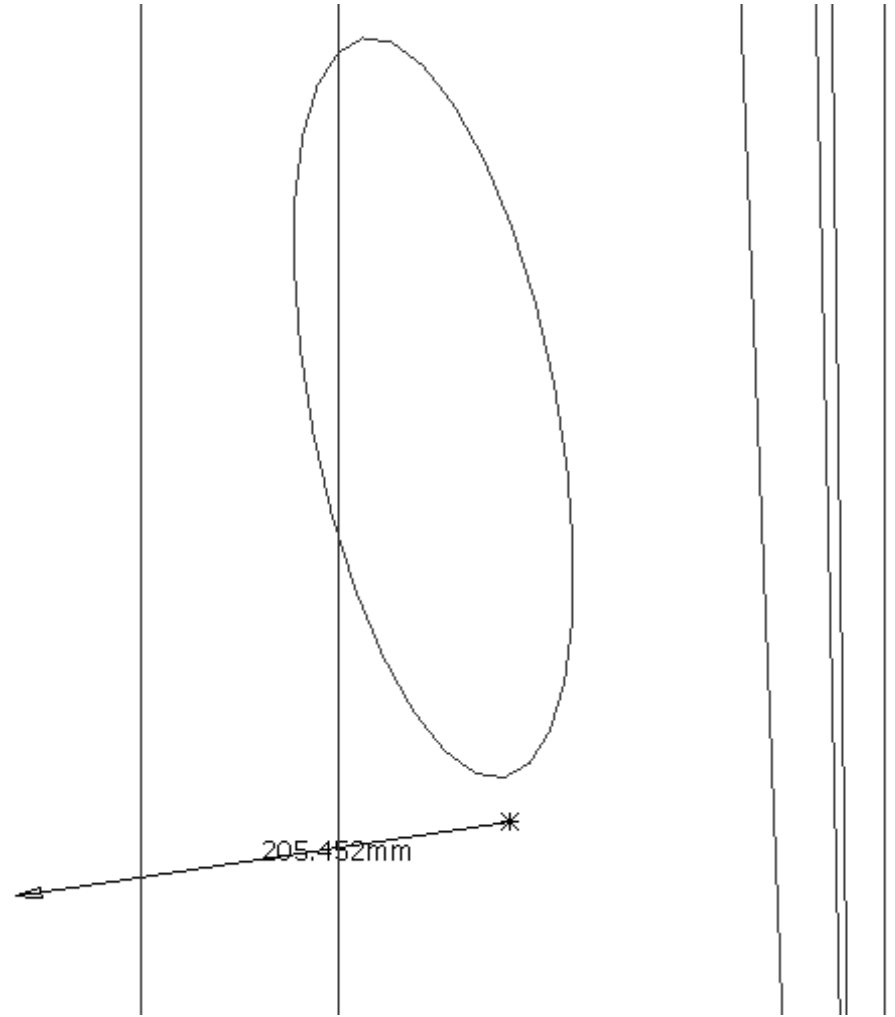
Clash value: ~ 205.4 mm

SIDE A

Sector 14



Clash View:



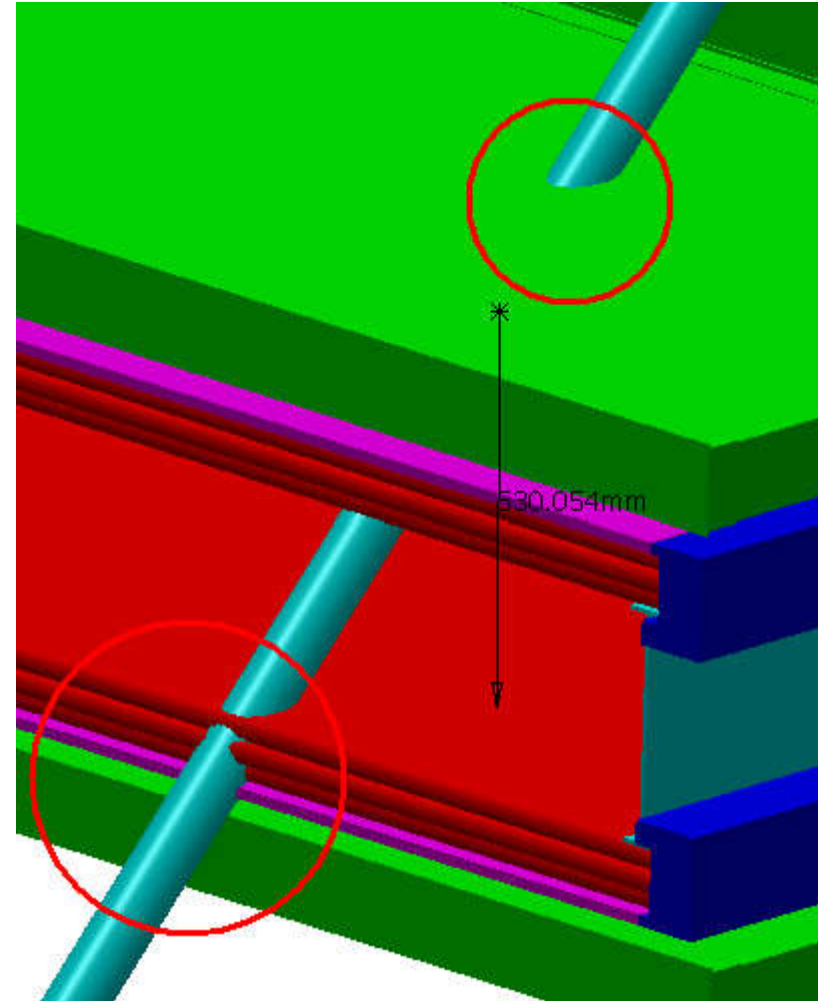
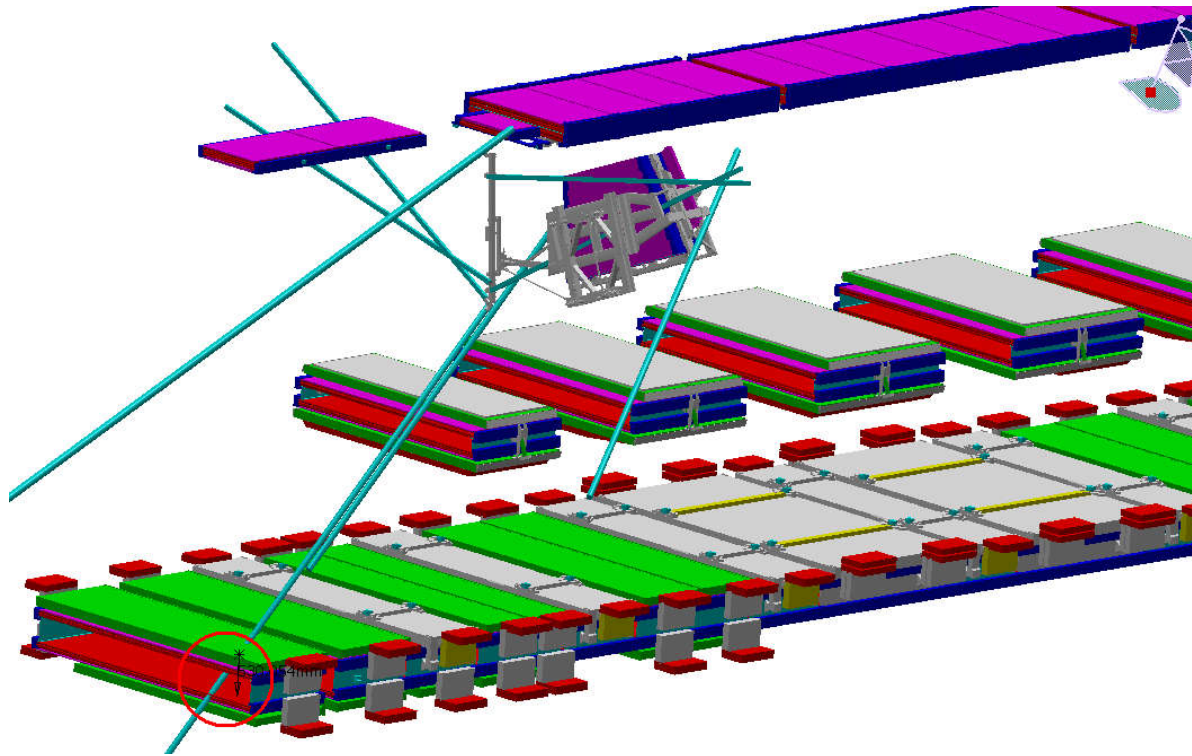
AT632810MQ - ALIGNMENT BAR
EIL4, SIDE A, SECTOR 15

AT602166MQ - MUON BARREL CHAMBERS
DETAILED - SECTOR 14

Clash

-530 mm

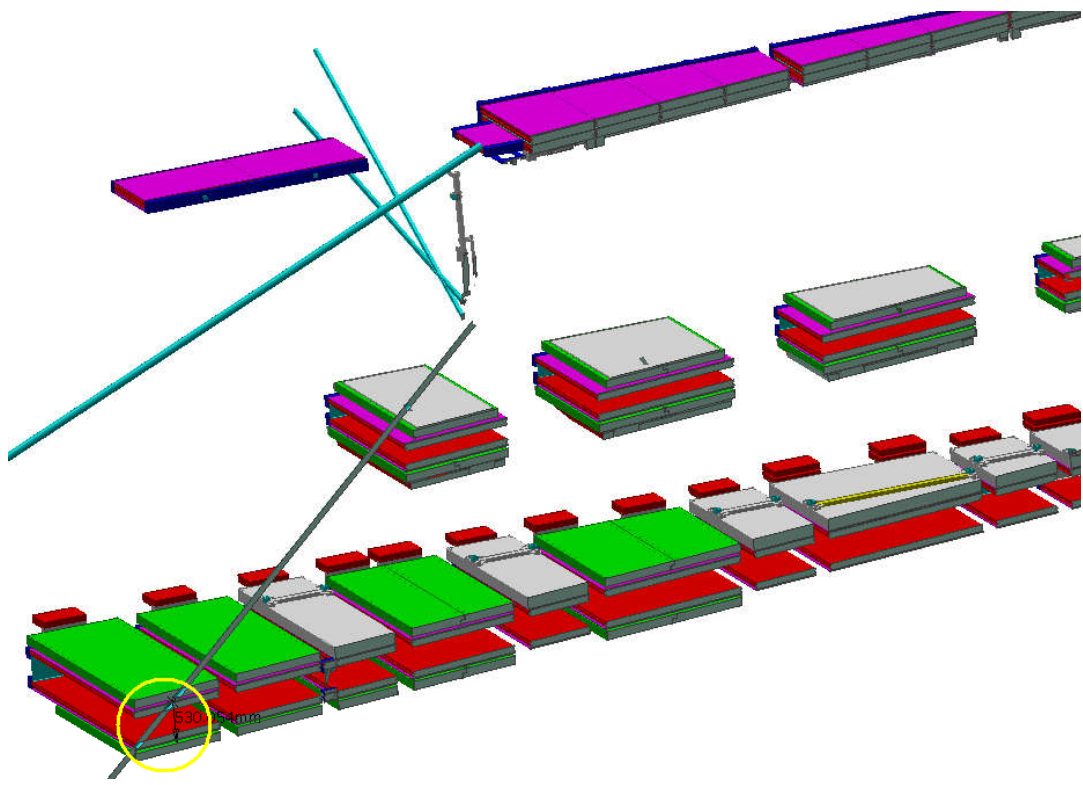
Not inspected



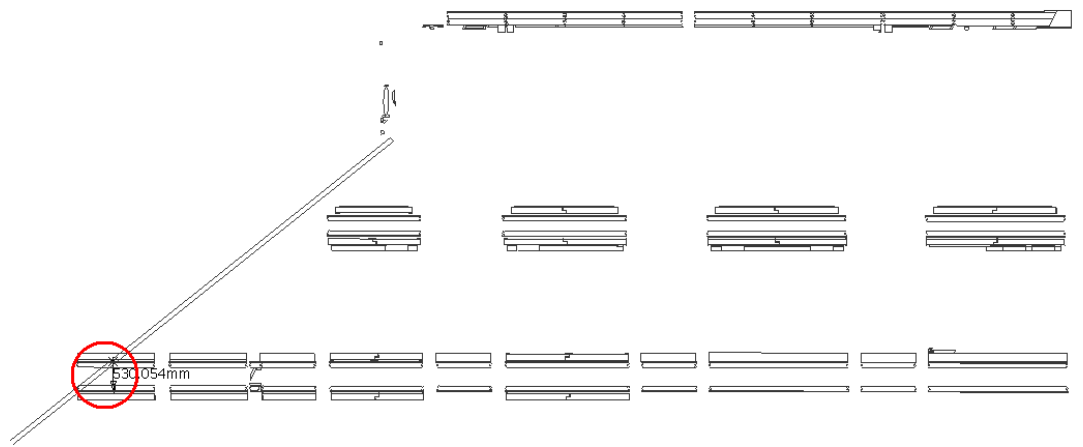
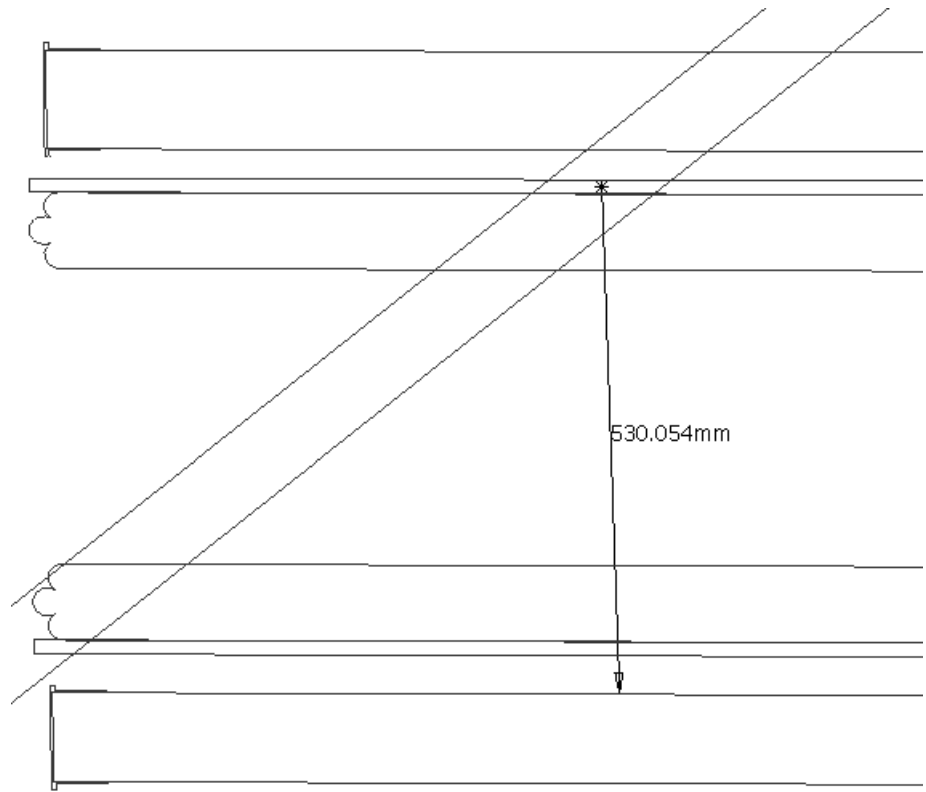
Clash value: ~ 530 mm

SIDE A

Sector 14



Clash View:



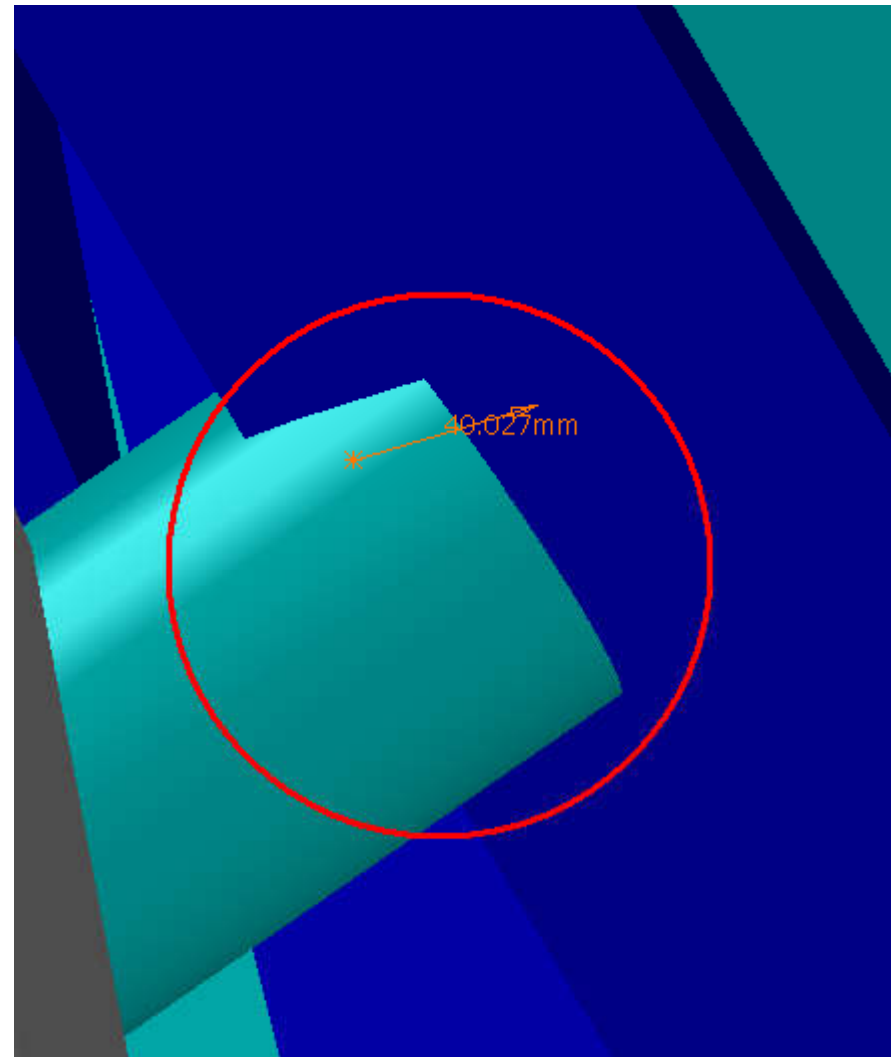
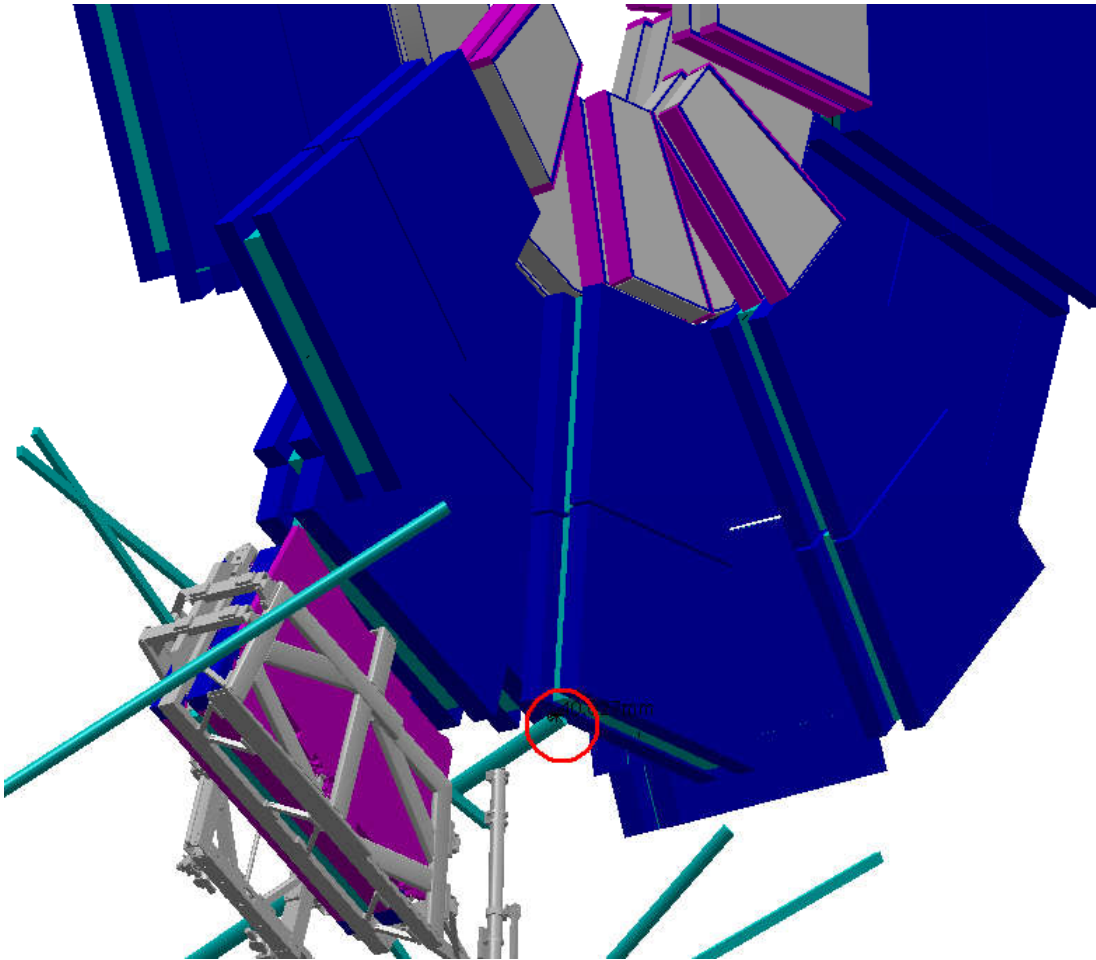
AT632810MQ - ALIGNMENT BAR
EIL4, SIDE A, SECTOR 15

NMC_0017 - MEI, CSC CHAMBERS - SIMPLIFIED 3-D
OBJECT

Clash

-40 mm

Not inspected



Clash value: ~ 40 mm

SIDE A

Sector 15

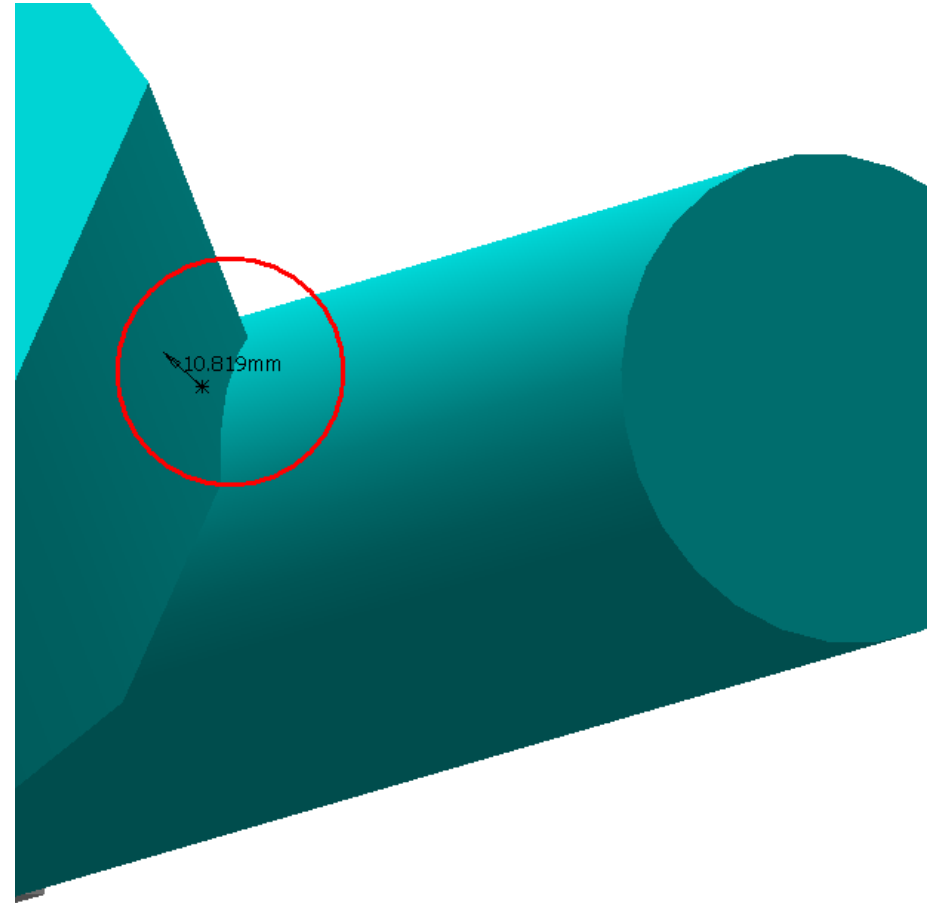
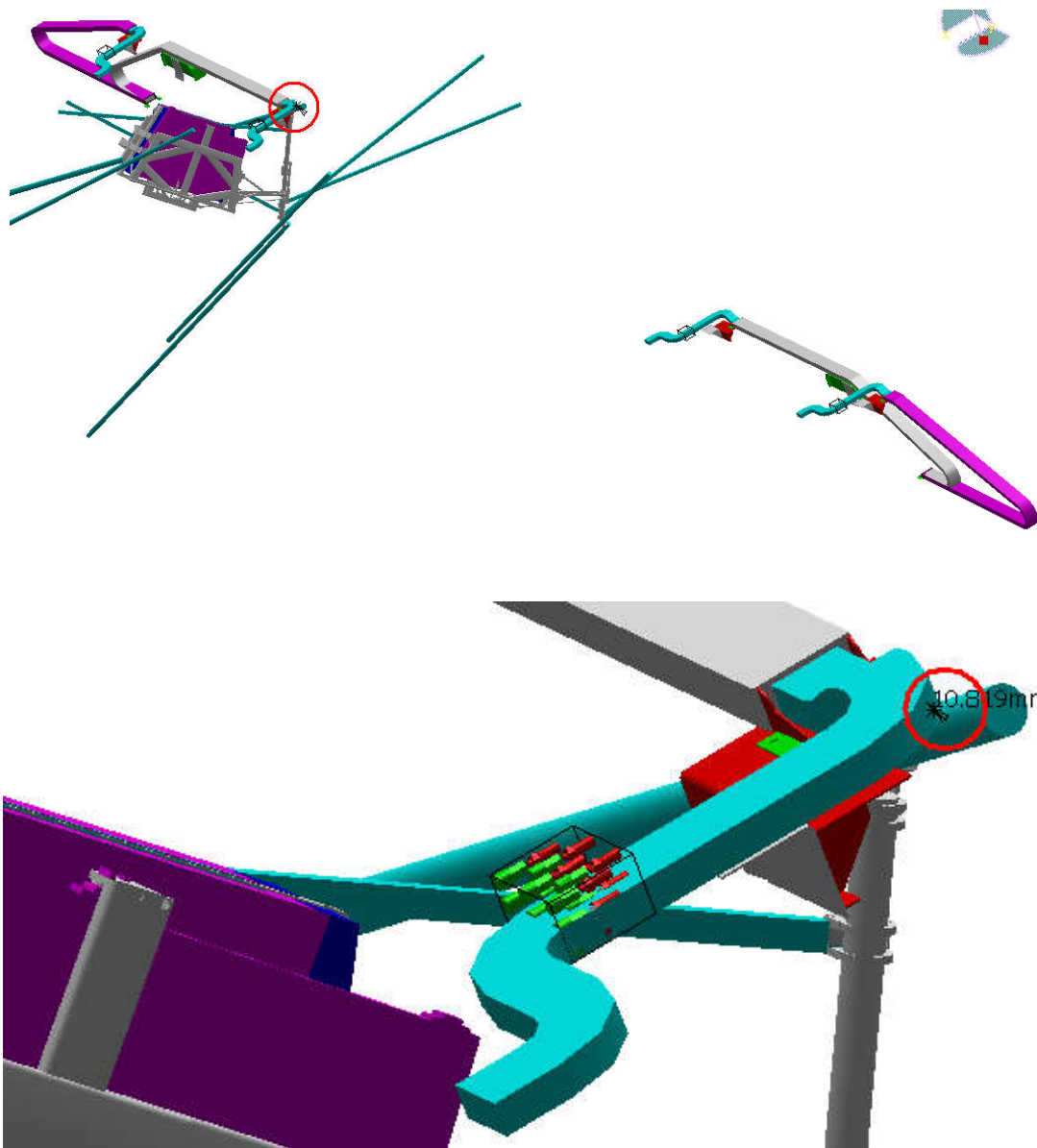
AT632810MQ - ALIGNMENT BAR
EIL4, SIDE A, SECTOR 15

NSE_0010 - SMALL WHEEL AIR-PAD CHAIN - IN 2
POSITIONS

Clash

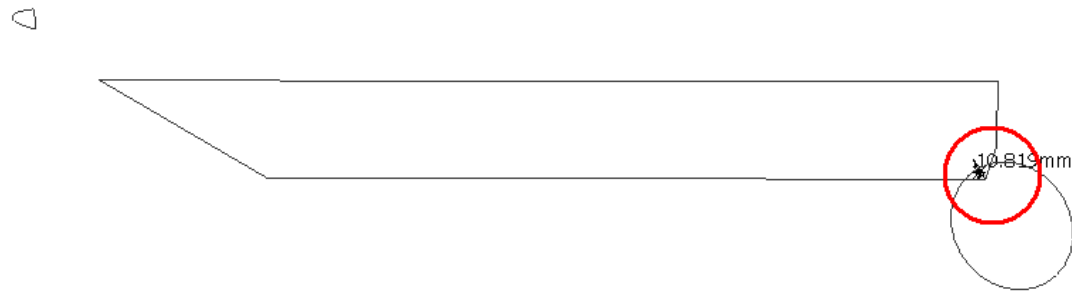
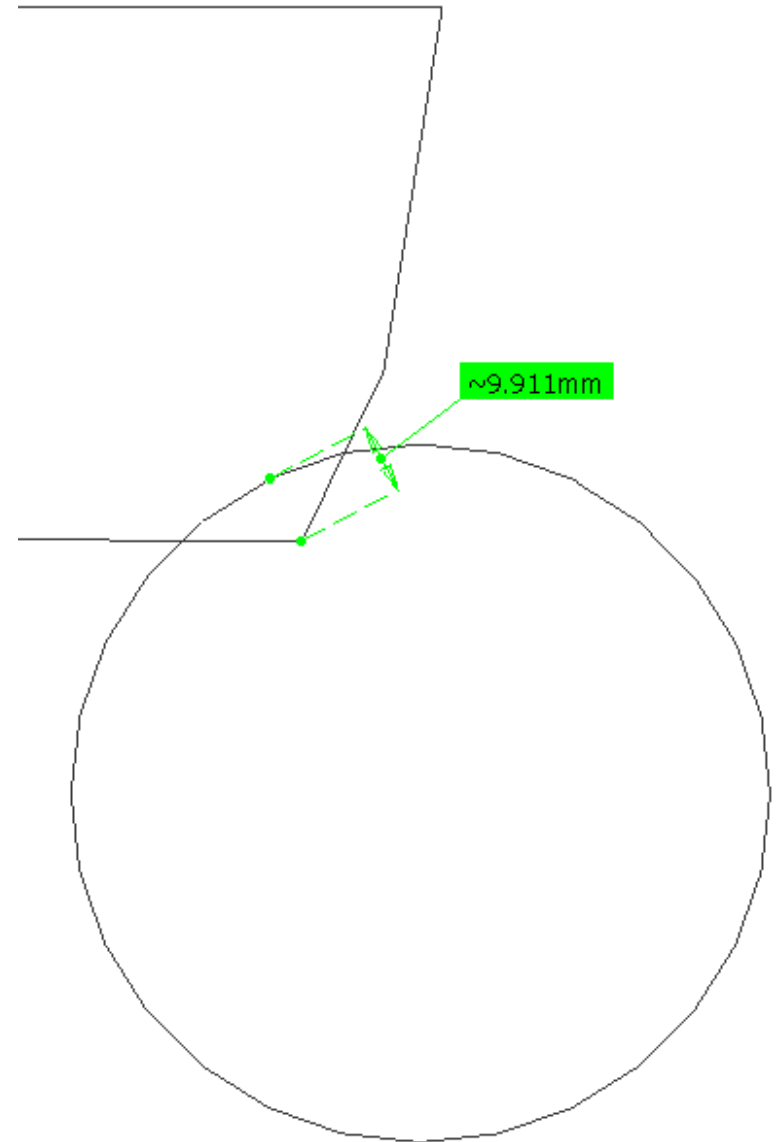
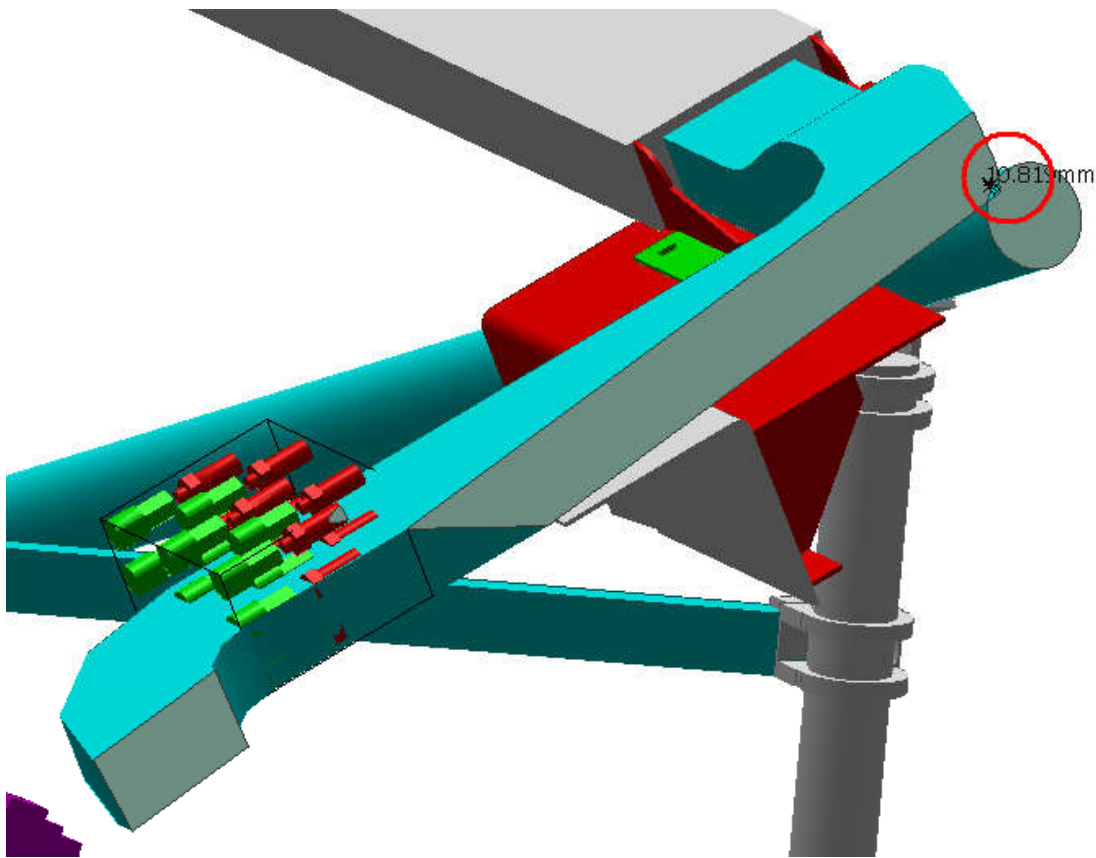
-10.8 mm

Not inspected



Clash value: ~ 10.8 mm
SIDE A
Sector 15

Clash View:



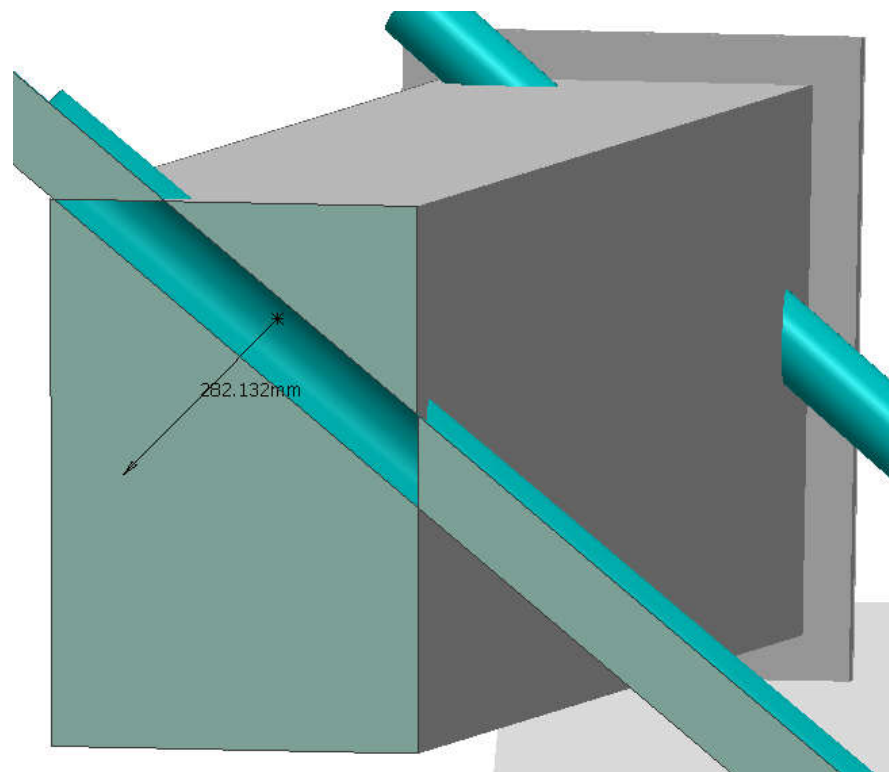
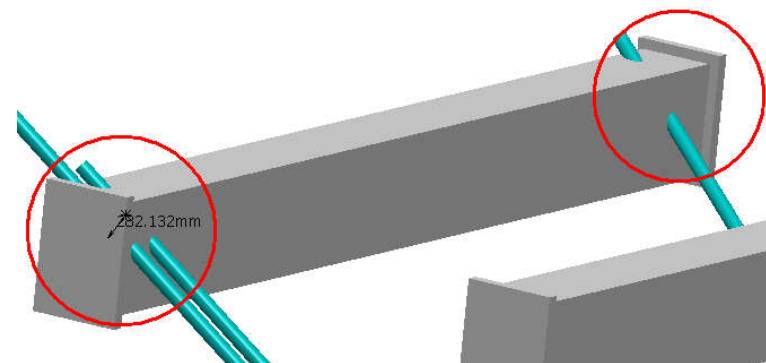
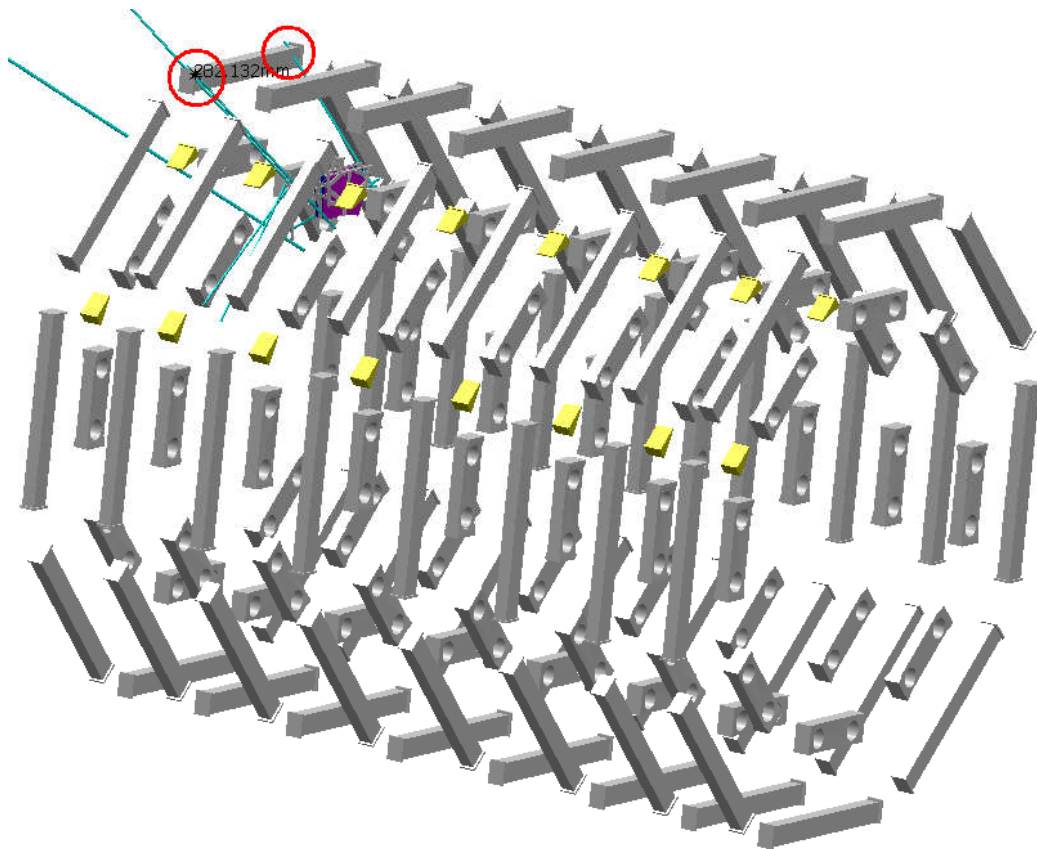
AT632810MQ - ALIGNMENT BAR
EIL4, SIDE A, SECTOR 15

NTB_0003 - TB WARM STRUCTURE - SIMPLIFIED
3-D OBJECT

Clash

-282.1 mm

Not inspected



Clash value: ~ 282.1 mm

SIDE A

Sector 15

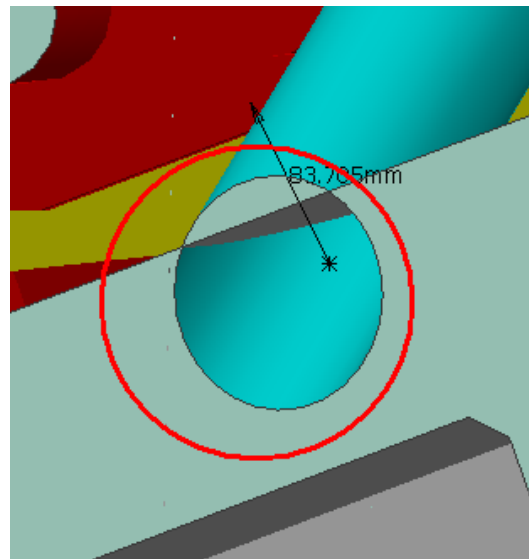
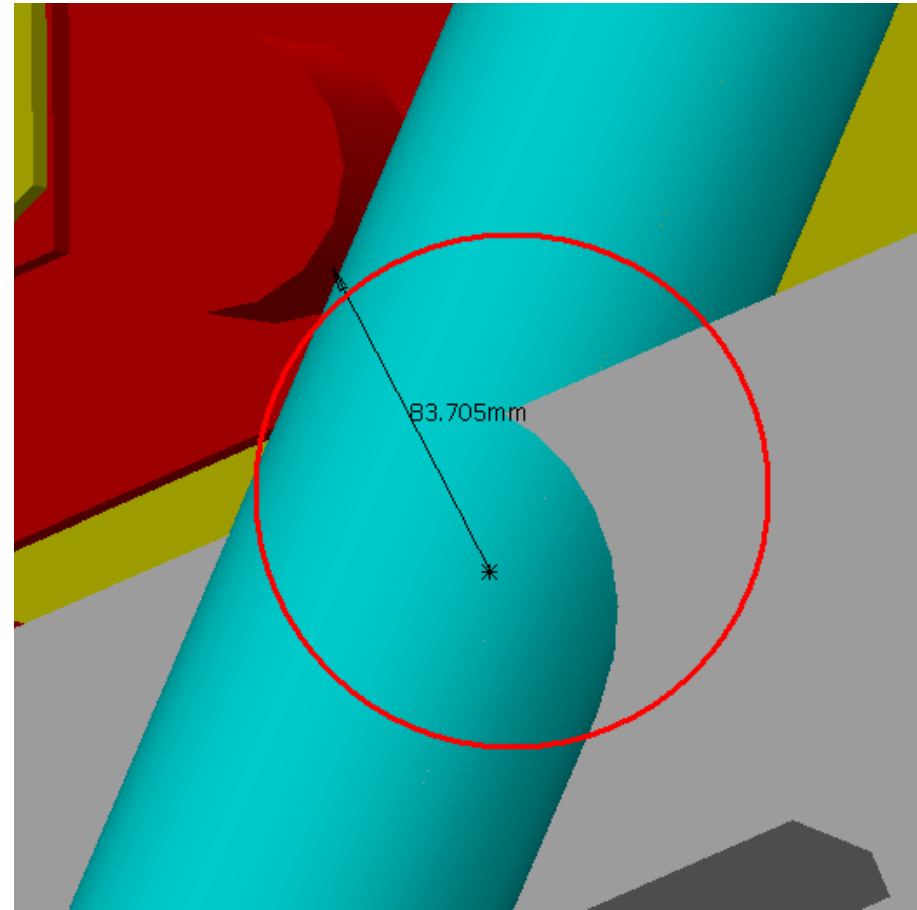
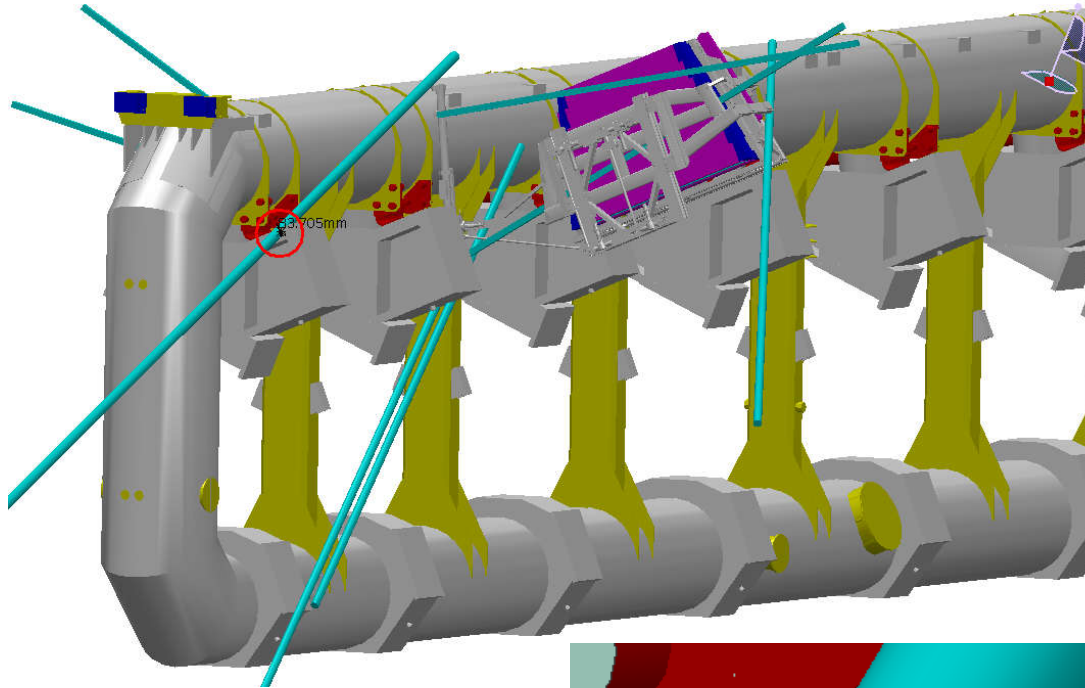
AT632810MQ - ALIGNMENT BAR
EIL4, SIDE A, SECTOR 15

NTB_0007 - TB FEET COIL - SECTOR 14

Clash

-83.7 mm

Not inspected



Clash value: ~ 83.7 mm

SIDE A

Sector 14

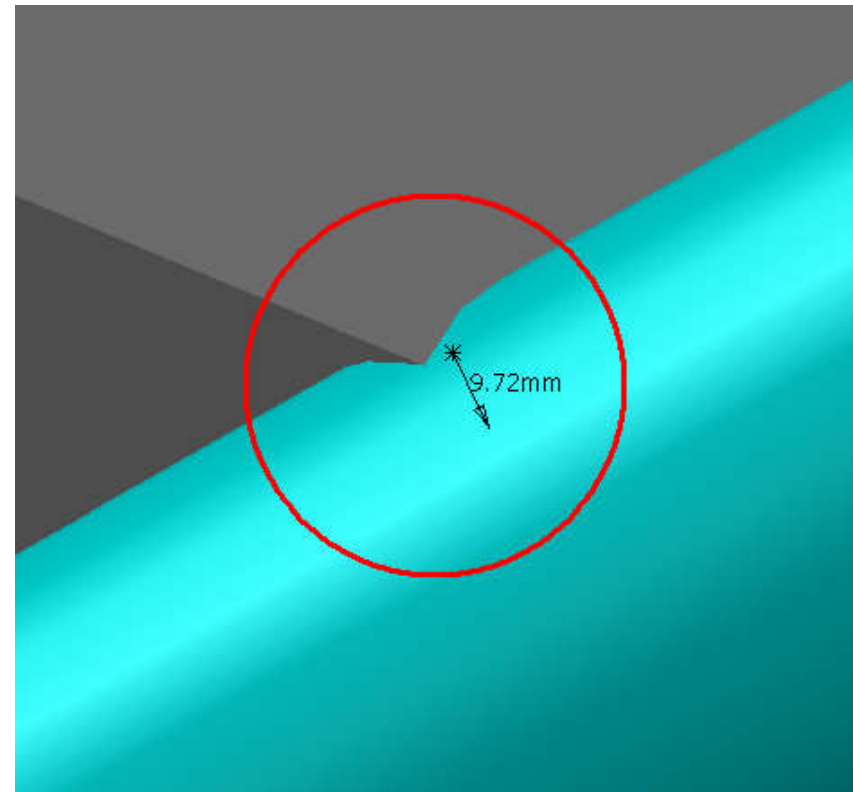
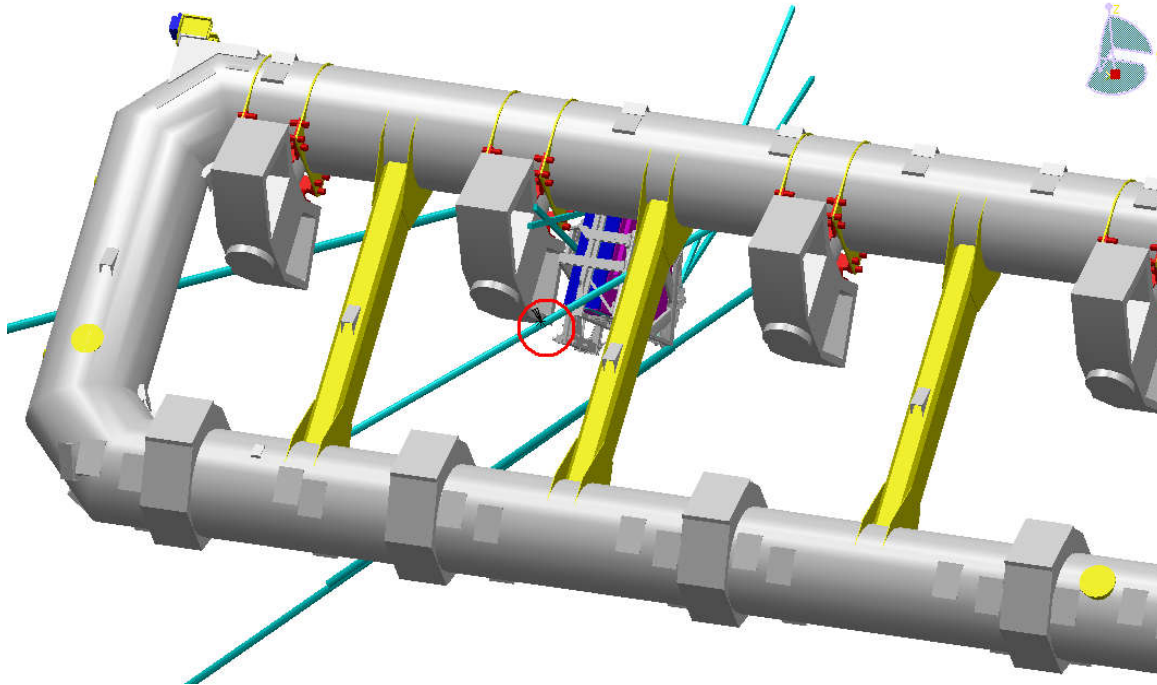
AT632810MQ - ALIGNMENT
BAR EIL4, SIDE A, SECTOR 15

NTB_0001 BT16 - TB STANDARD COIL - SECTOR 16

Clash

-9.7 mm

Not inspected

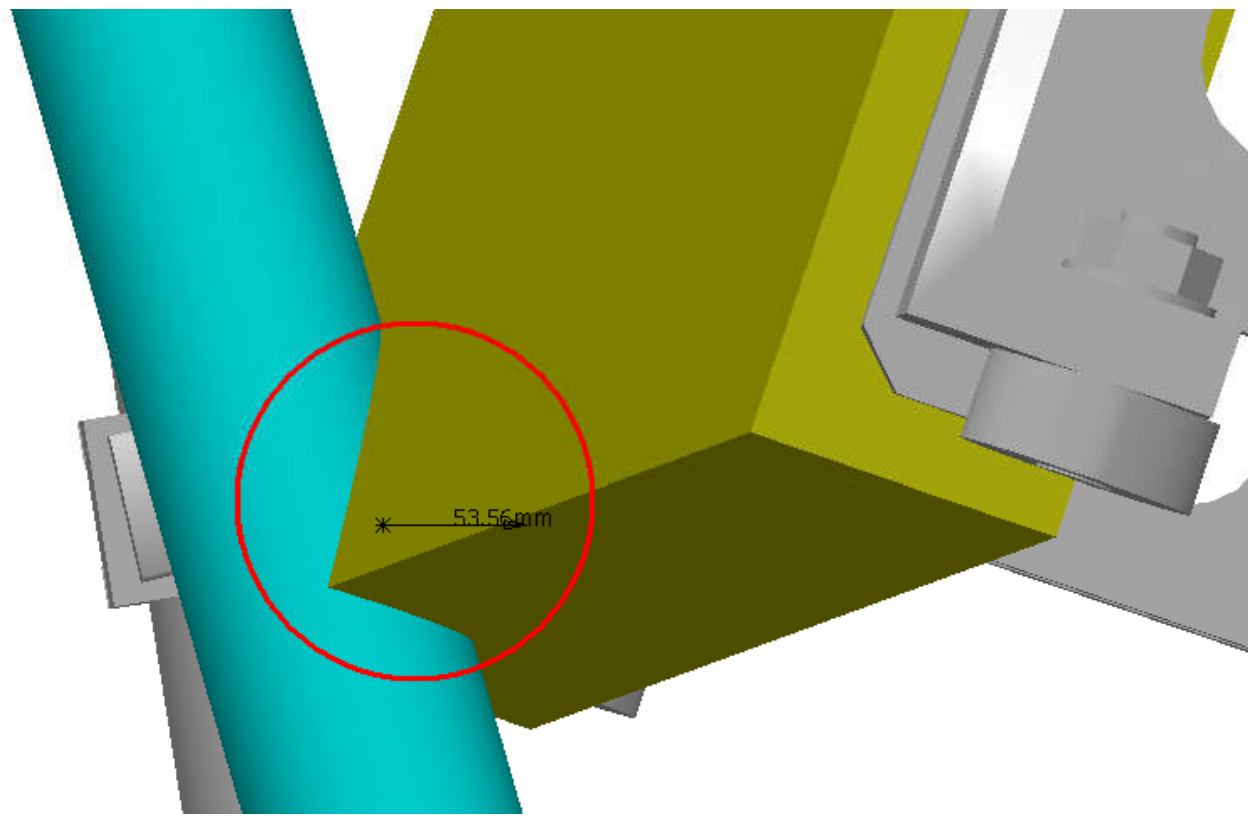
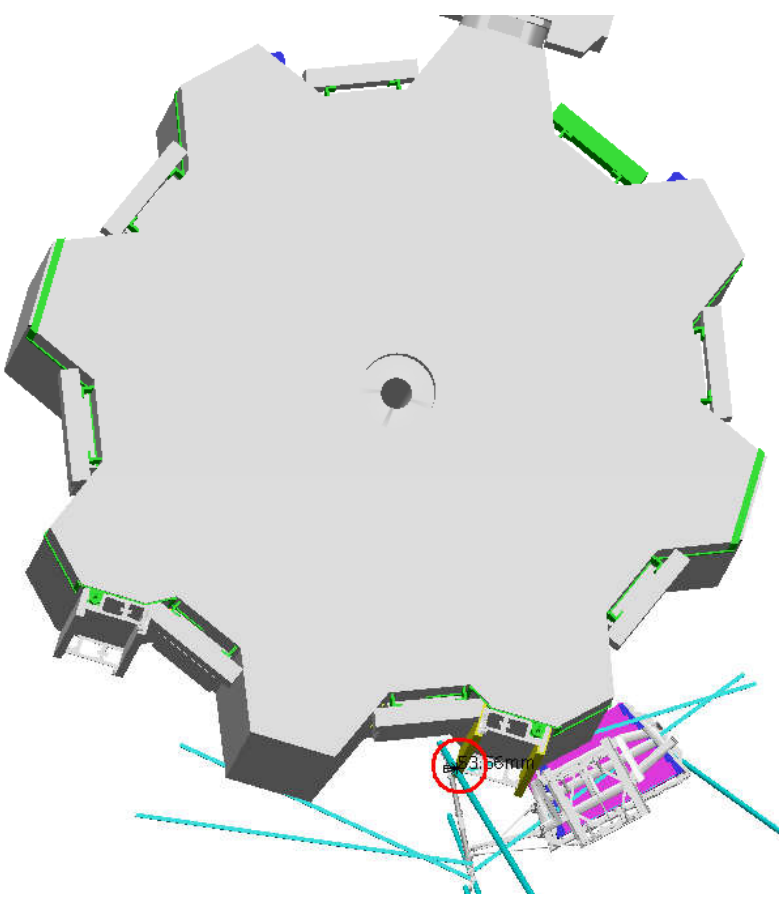


Clash value: ~ 9.7 mm

SIDE A

Sector 16

AT632810MQ - ALIGNMENT BAR EIL4, SIDE A, SECTOR 15	Z5_0002 - Z5 GLOBAL ENVELOPE (SIDE A) - AND LOCATION INTERFACES	Clash	-53.5 mm	Not inspected
--	---	-------	----------	---------------



Clash value: ~ 53.5 mm

SIDE A

Sector 15

