

Clash Publish



Clash Computation Specification			
Products Selected		Value	Status
AT632809MQ - ALIGNMENT BAR EIL4, SIDE A, SECTOR 13	VHB_0005 - EXTREMITY PAIR OF FEET A4 (C4) - DETAILED MODEL FOR STANDARDS	-17 mm	Not inspected
	NH_0003 - HF TRUCK IN ACCESS POSITION SIDE A - SIMPLIFIED 3D OBJECT	-433.1 mm	Not inspected
	AT602164MQ - MUON BARREL CHAMBERS DETAILED - SECTOR 12	-530 mm	Not inspected
	NMC_0017 - MEI, CSC CHAMBERS - SIMPLIFIED 3-D OBJECT	-40 mm	Not inspected
	NSE_0004 - DRAIN PIPE FOR - LAR END-CAP CALORIMETER	-69.9 mm	Not inspected
	NSM_0016 - BT HEATER CABLE DISTRIBUTION - FOR FOOT REGION	-117.6 mm	Not inspected
	NTB_0003 - TB WARM STRUCTURE - SIMPLIFIED 3-D OBJECT	-322.6 mm	Not inspected
	NTB_0002 - TB FEET COIL - SECTOR 12	-83.9 mm	Not inspected
	NTB_0007 - TB FEET COIL - SECTOR 14	-9.6 mm	Not inspected

Computation Result:

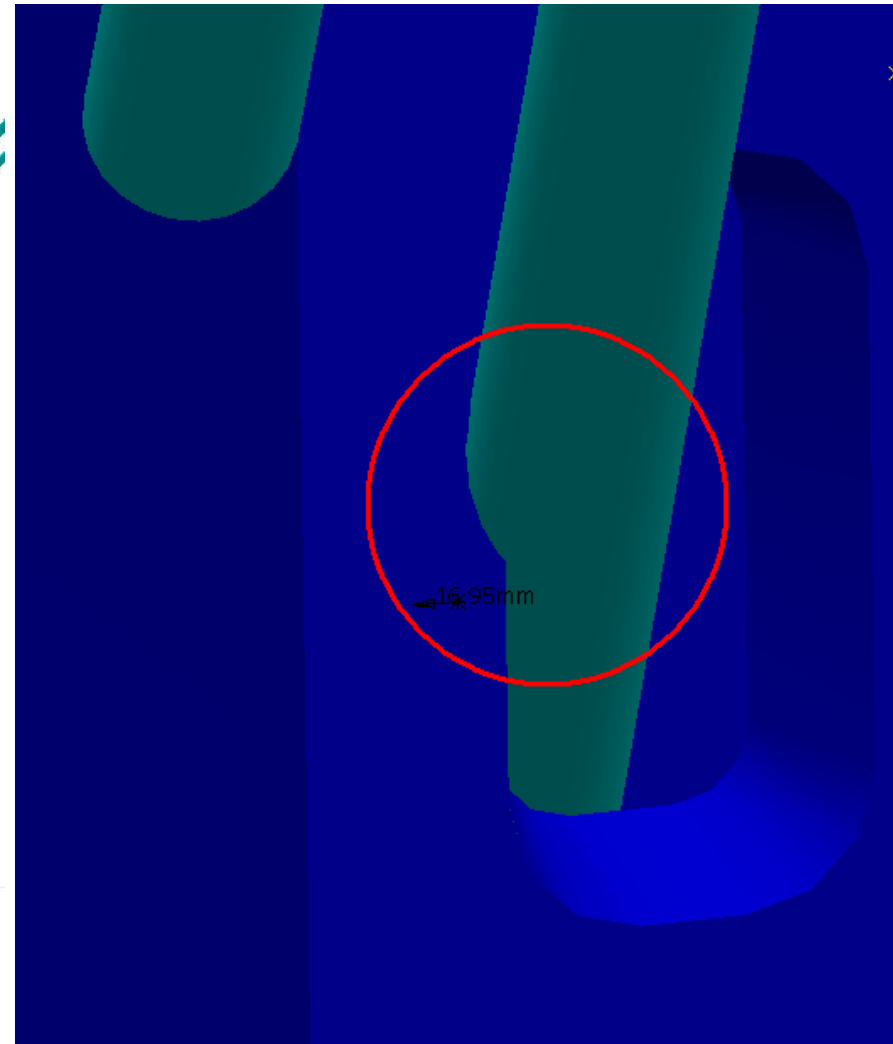
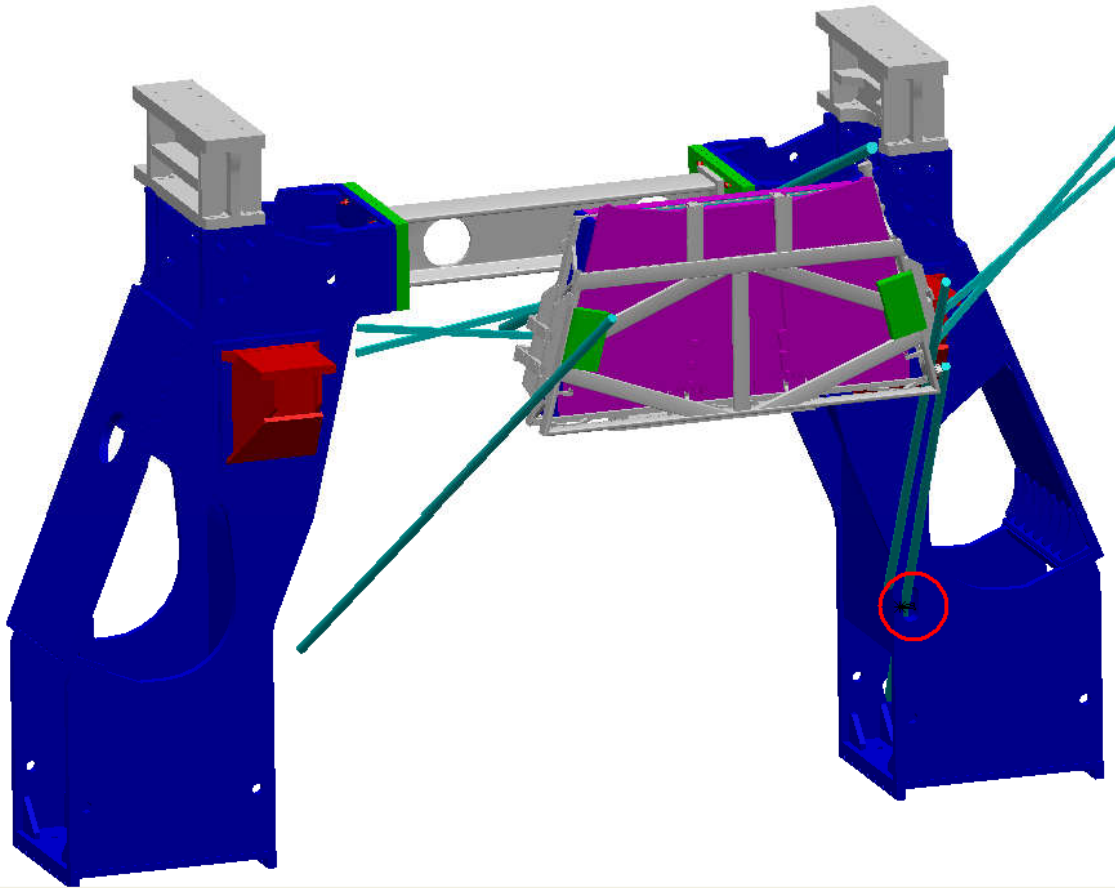
AT632809MQ - ALIGNMENT BAR
EIL4, SIDE A, SECTOR 13

VHB_0005 - EXTREMITY PAIR OF FEET A4 (C4) -
DETAILED MODEL FOR STANDARDS

Clash

-17 mm

Not inspected

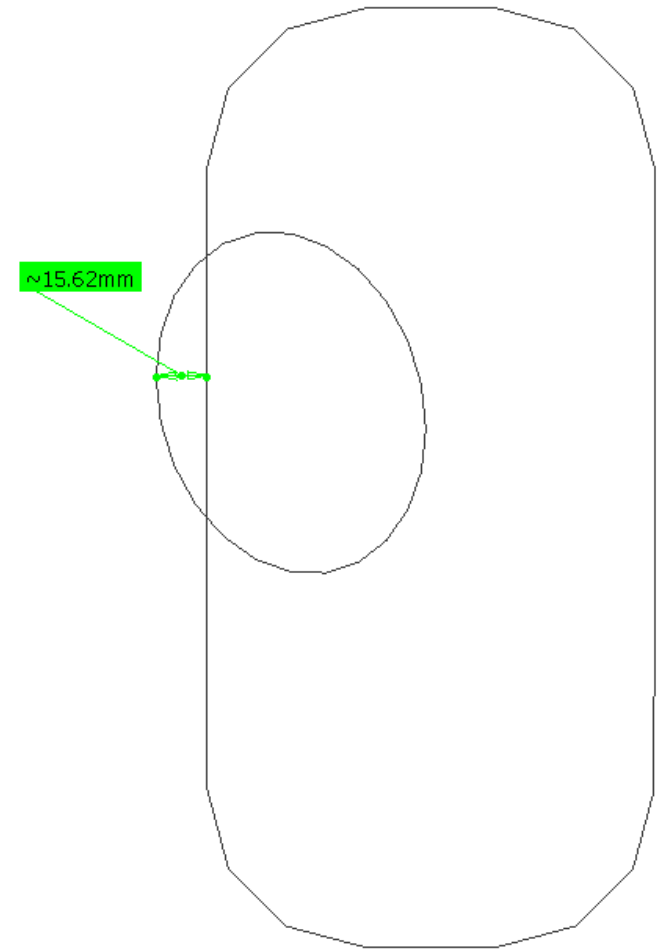
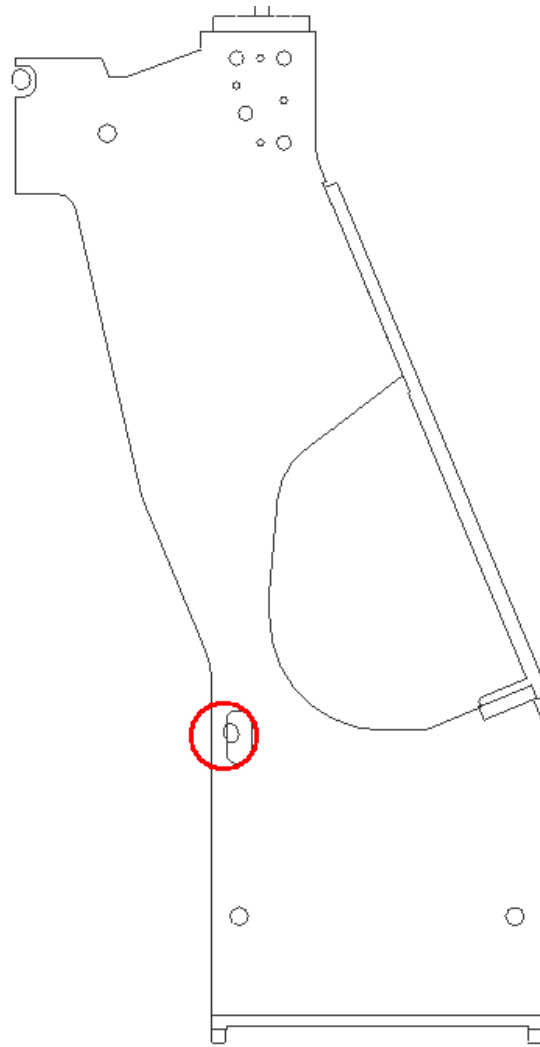
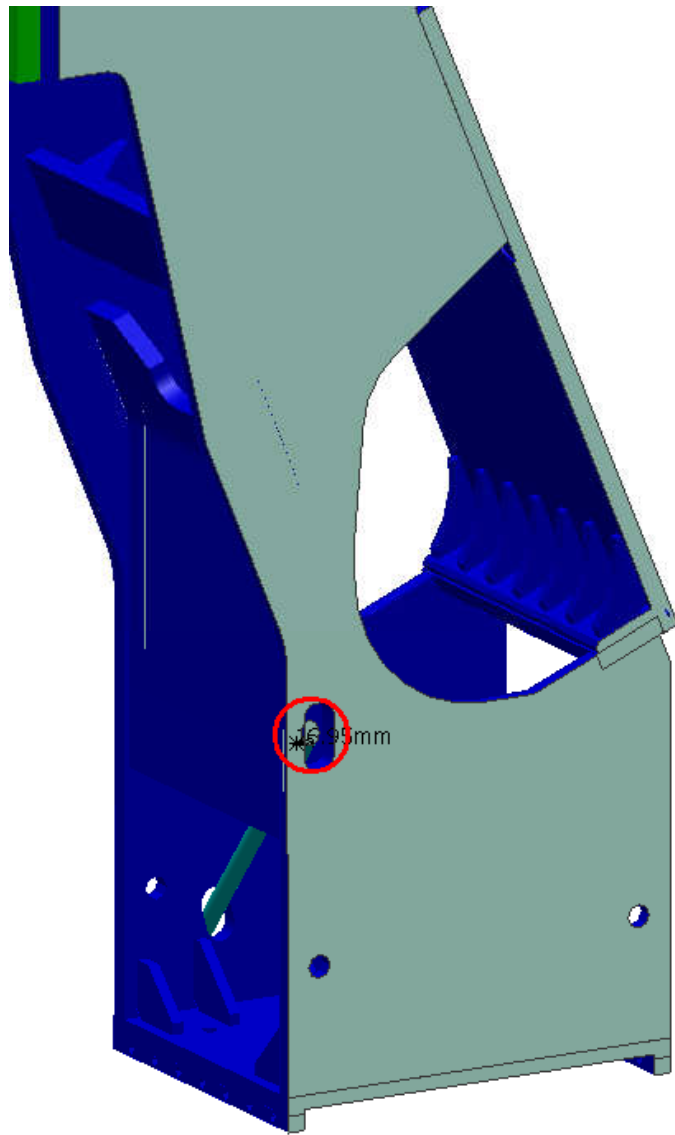


Clash value: ~ 17 mm

SIDE A

Sector 13

Clash View:



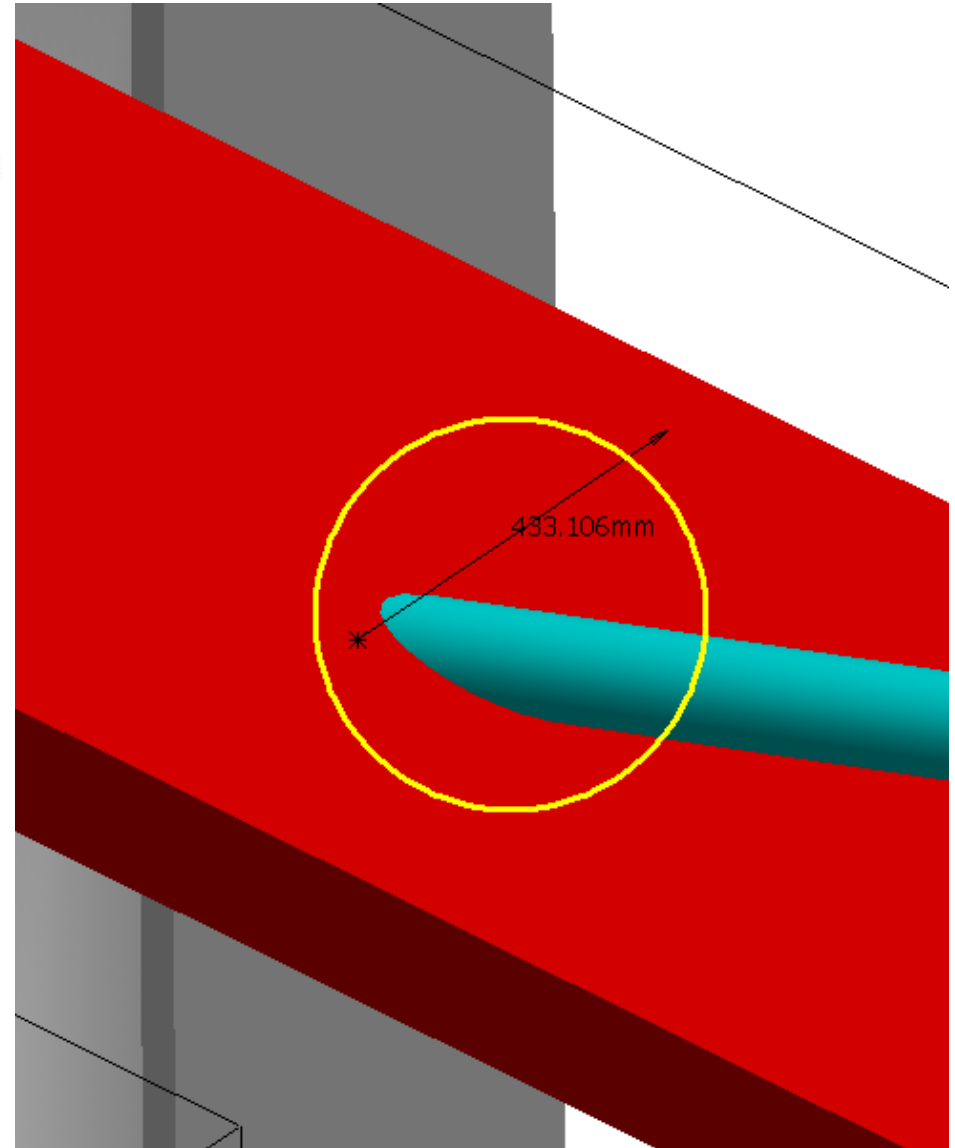
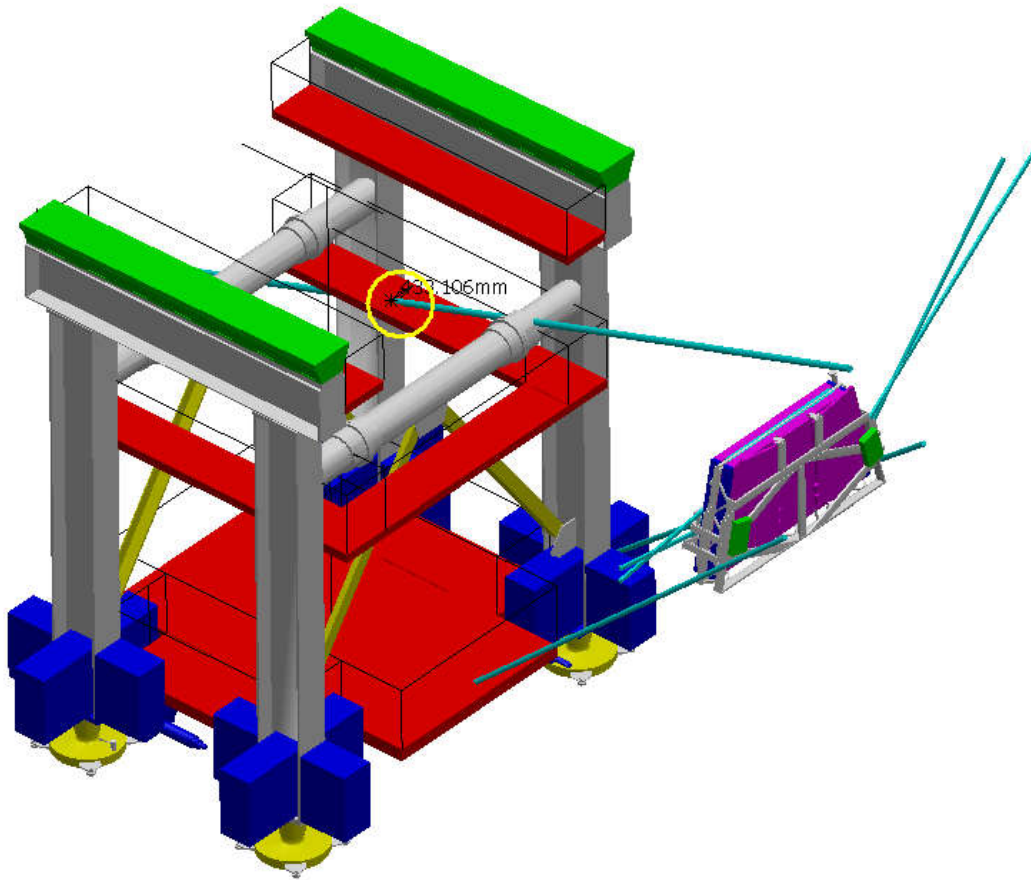
AT632809MQ - ALIGNMENT BAR
EIL4, SIDE A, SECTOR 13

NH_0003 - HF TRUCK IN ACCESS POSITION SIDE A -
SIMPLIFIED 3D OBJECT

Clash

-433.1 mm

Not inspected

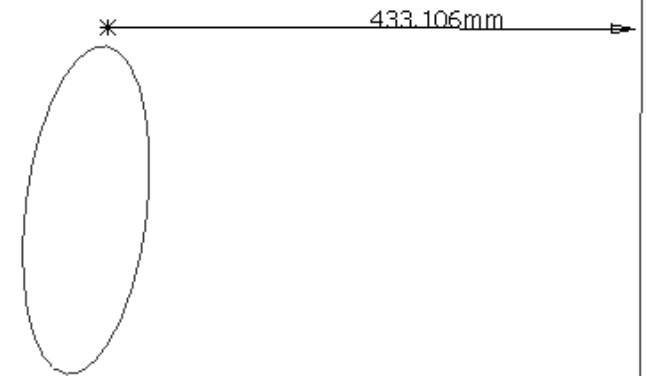
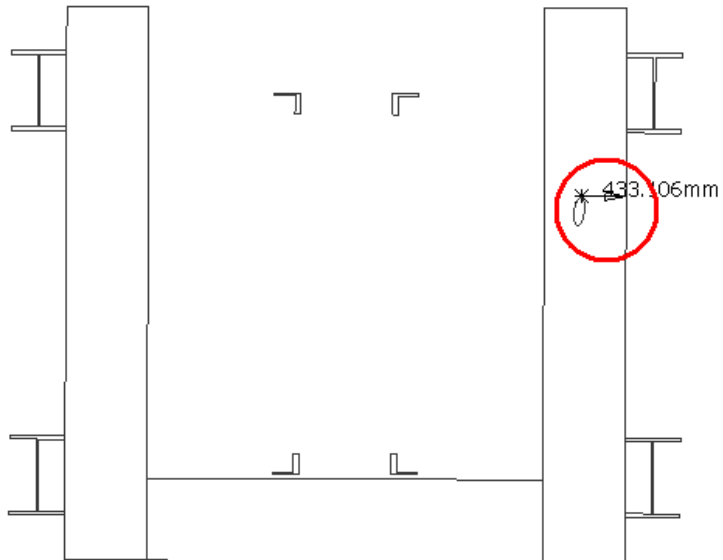
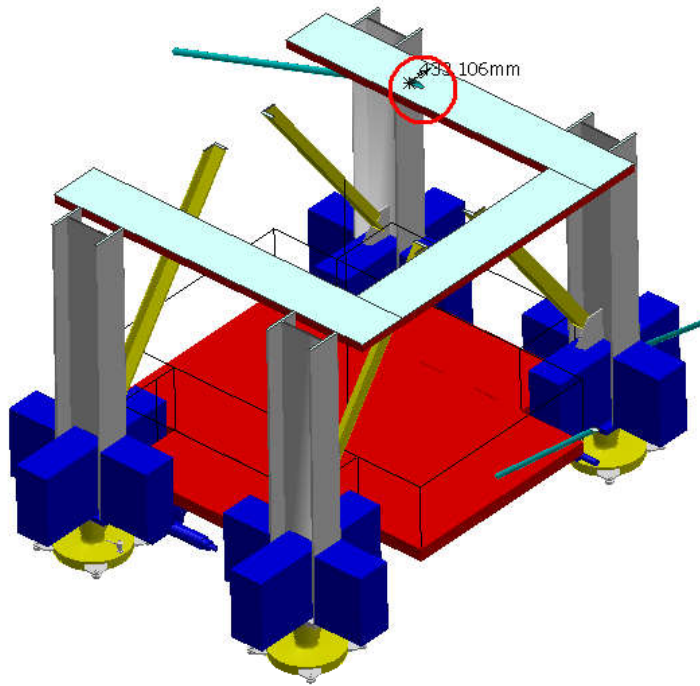


Clash value: ~ 433.1 mm

SIDE A

Sector 13

Clash View:



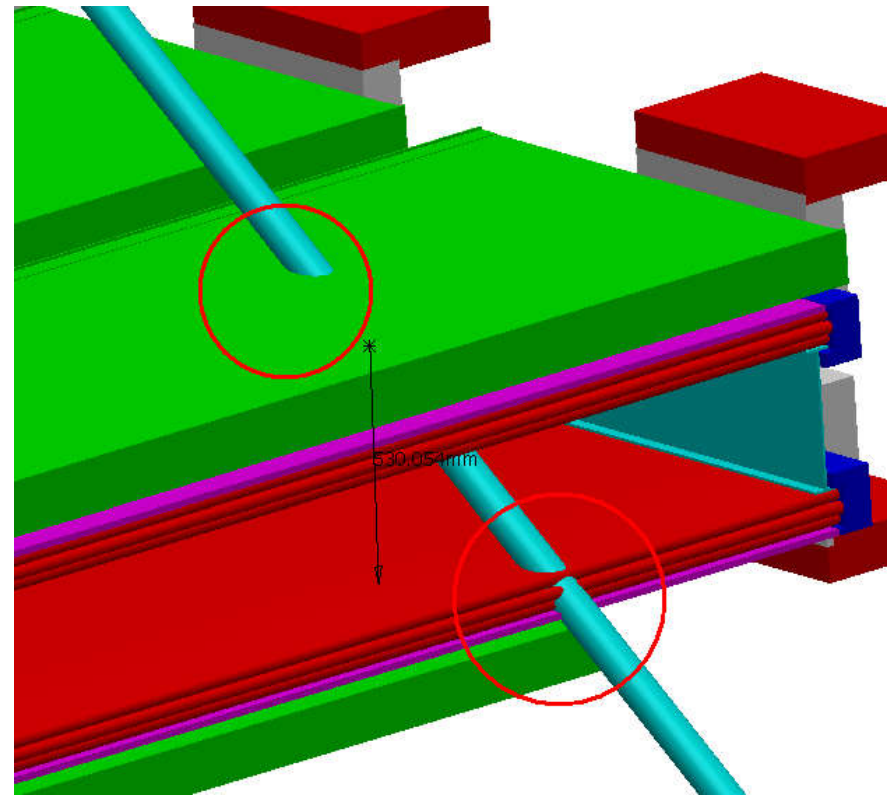
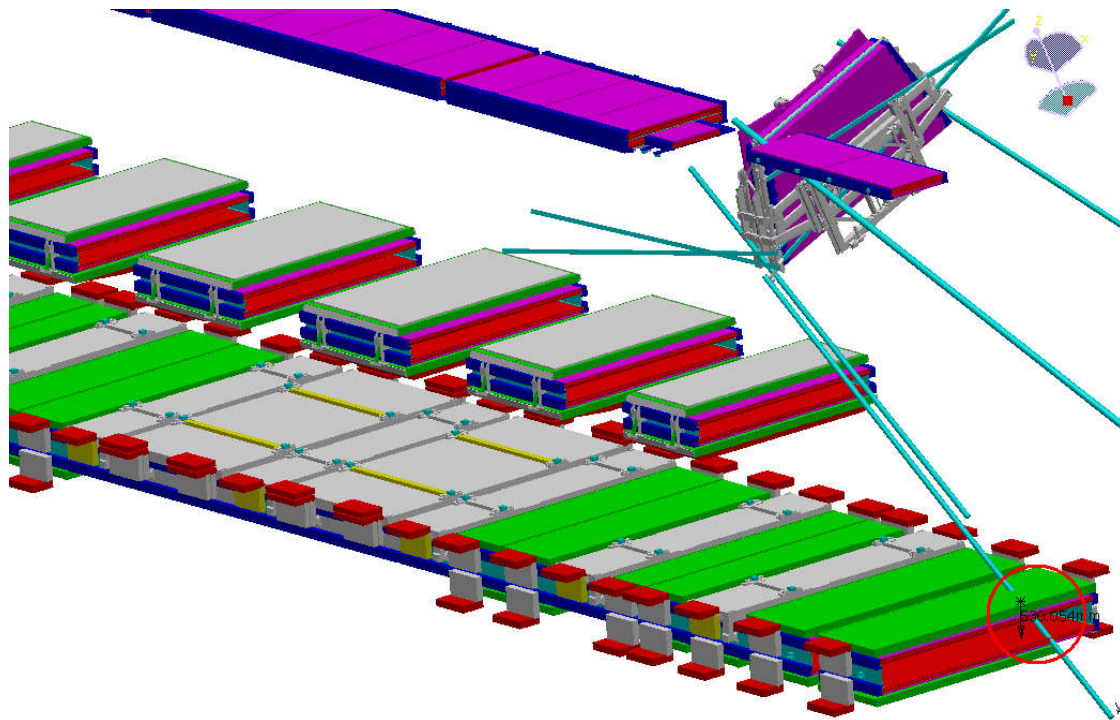
AT632809MQ - ALIGNMENT BAR
EIL4, SIDE A, SECTOR 13

AT602164MQ - MUON BARREL CHAMBERS
DETAILED - SECTOR 12

Clash

-530 mm

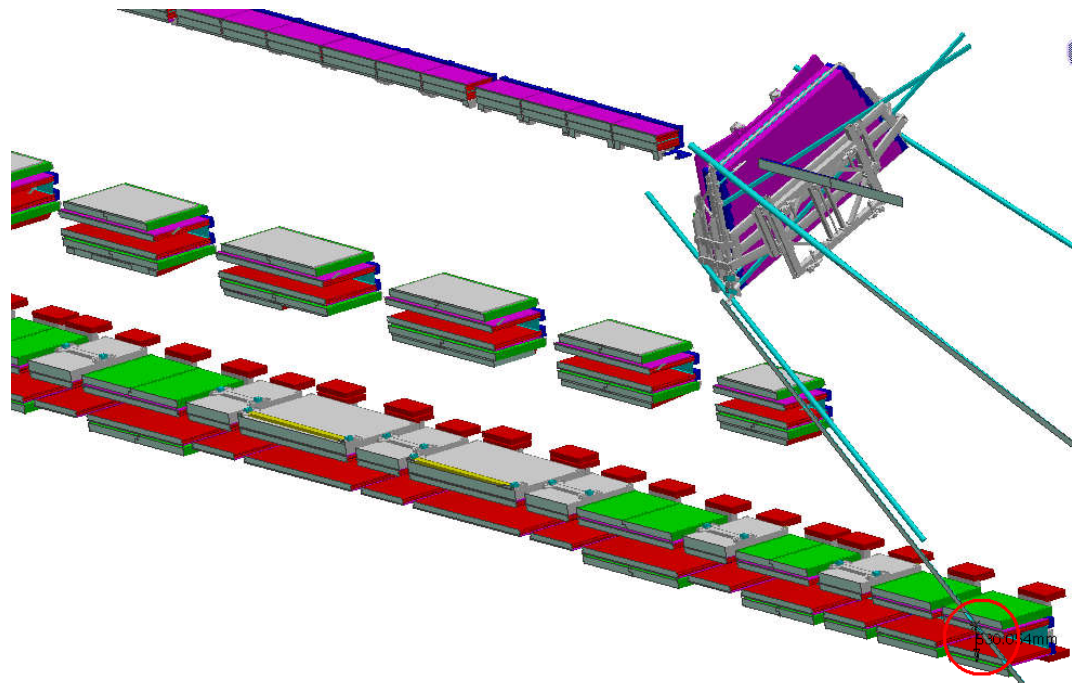
Not inspected



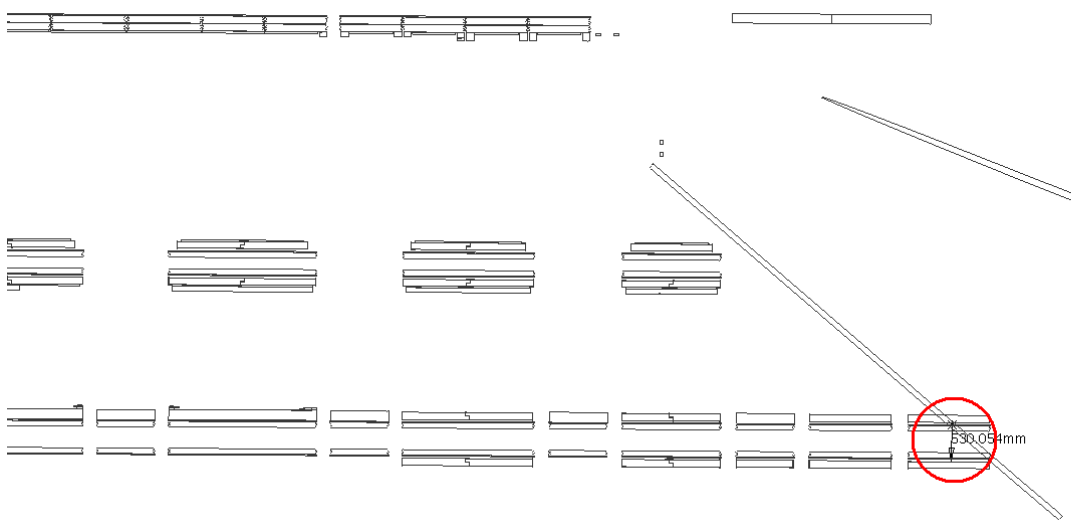
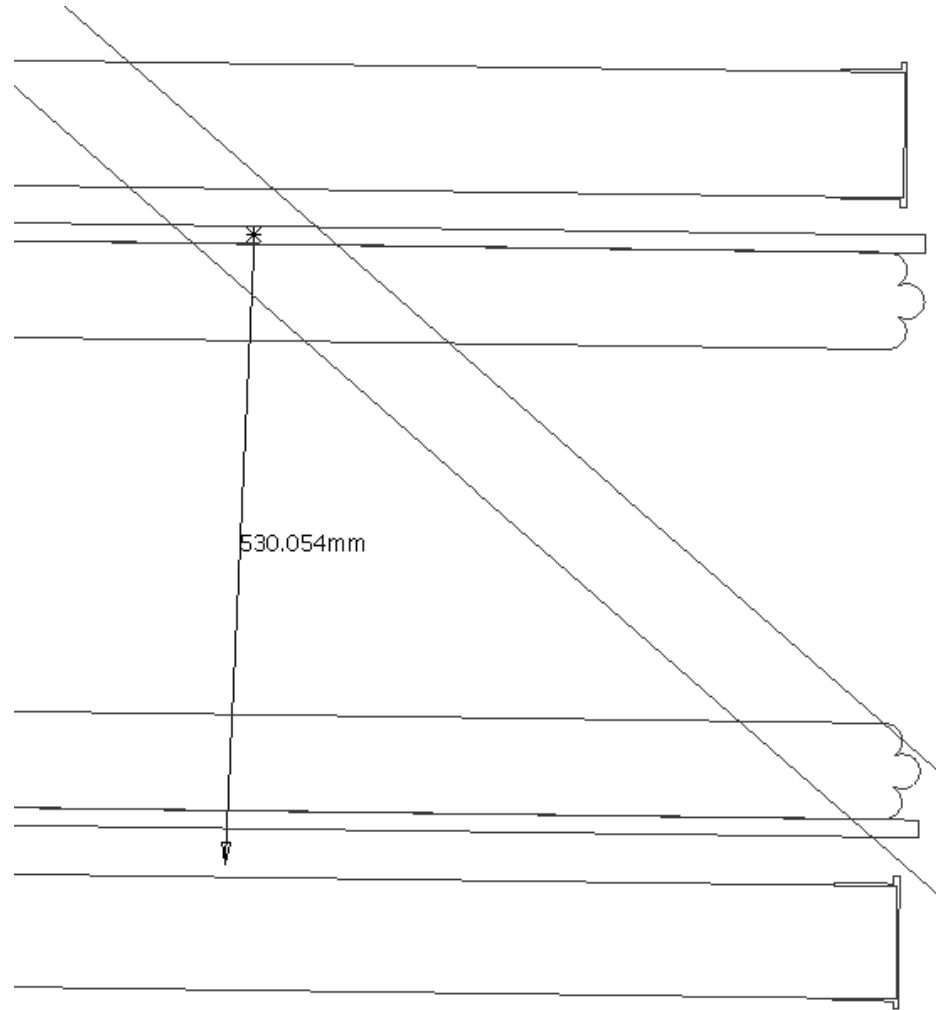
Clash value: ~ 530 mm

SIDE A

Sector 12



Clash View:



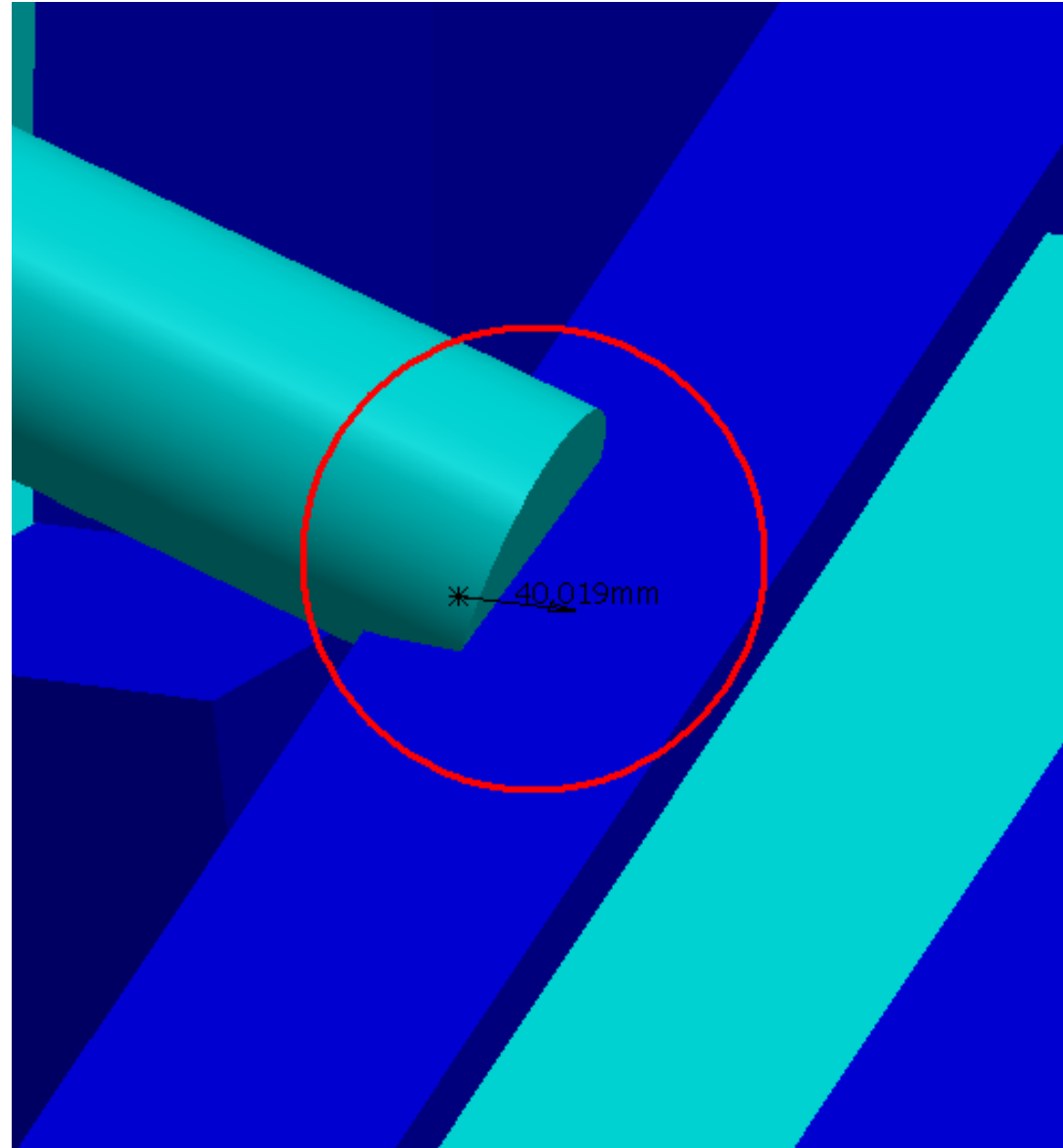
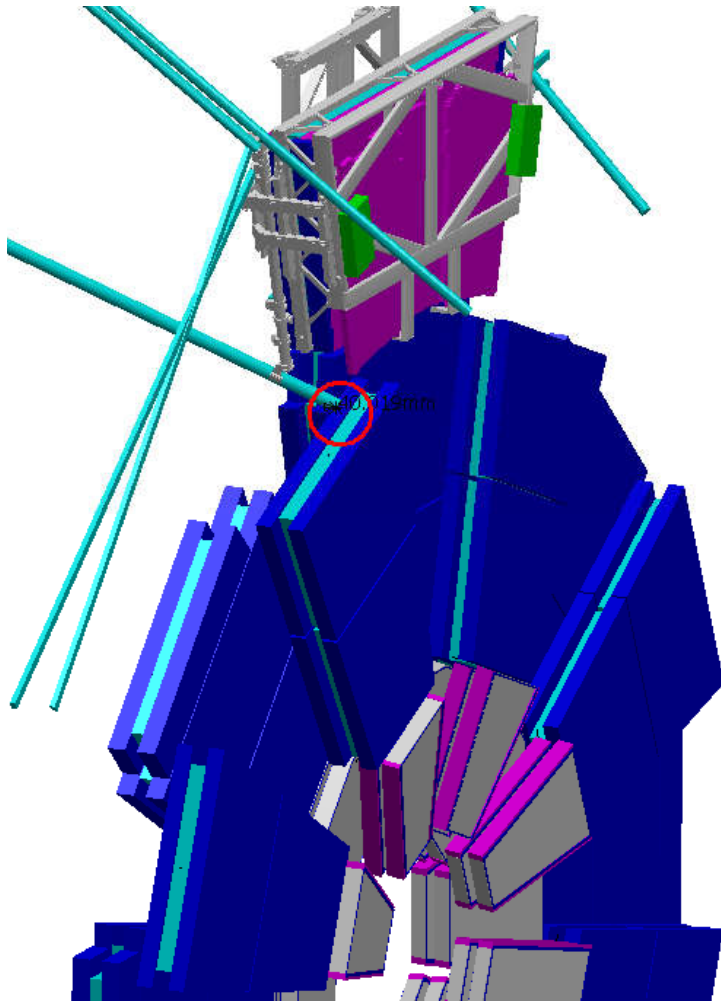
AT632809MQ - ALIGNMENT BAR
EIL4, SIDE A, SECTOR 13

NMC_0017 - MEI, CSC CHAMBERS - SIMPLIFIED 3-
D OBJECT

Clash

-40 mm

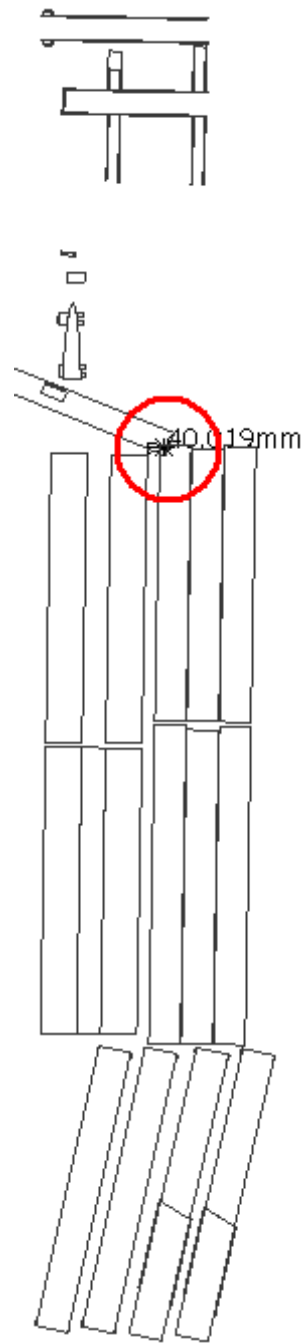
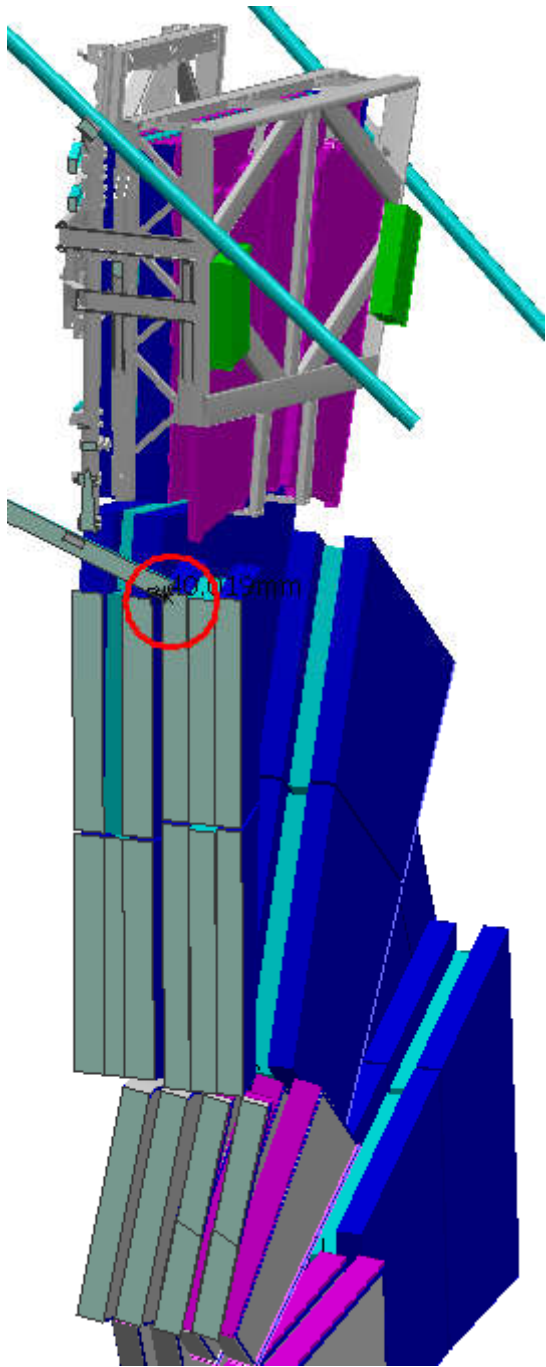
Not inspected



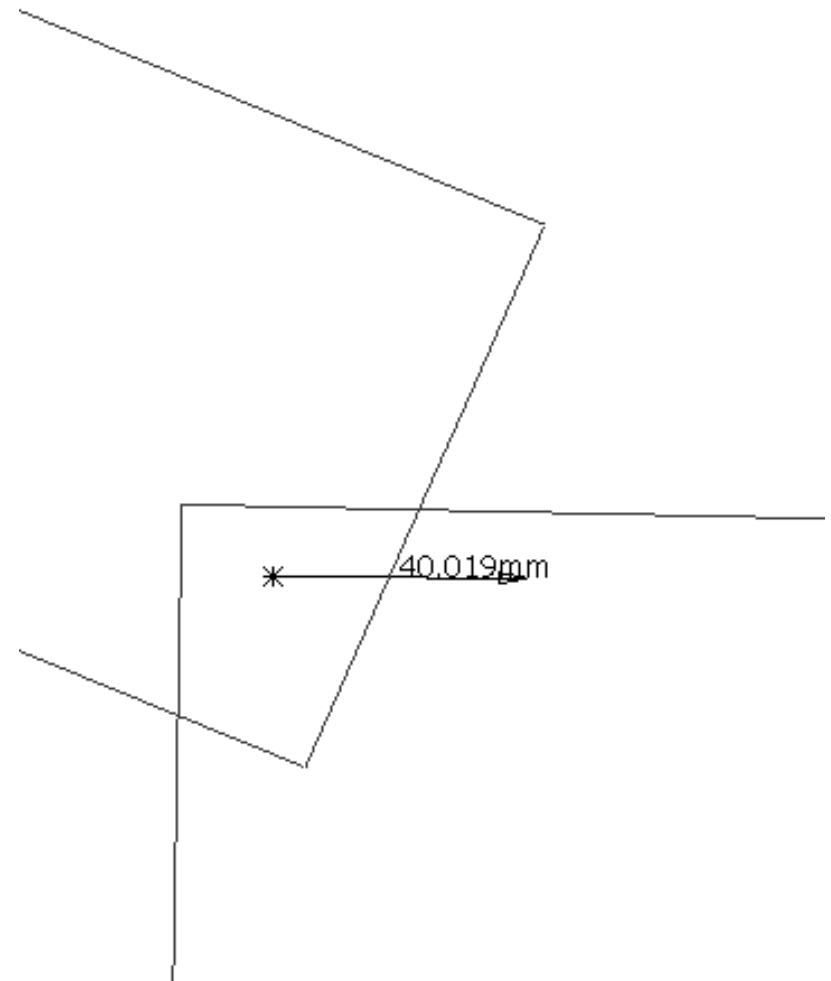
Clash value: ~ 40 mm

SIDE A

Sector 13



Clash View:



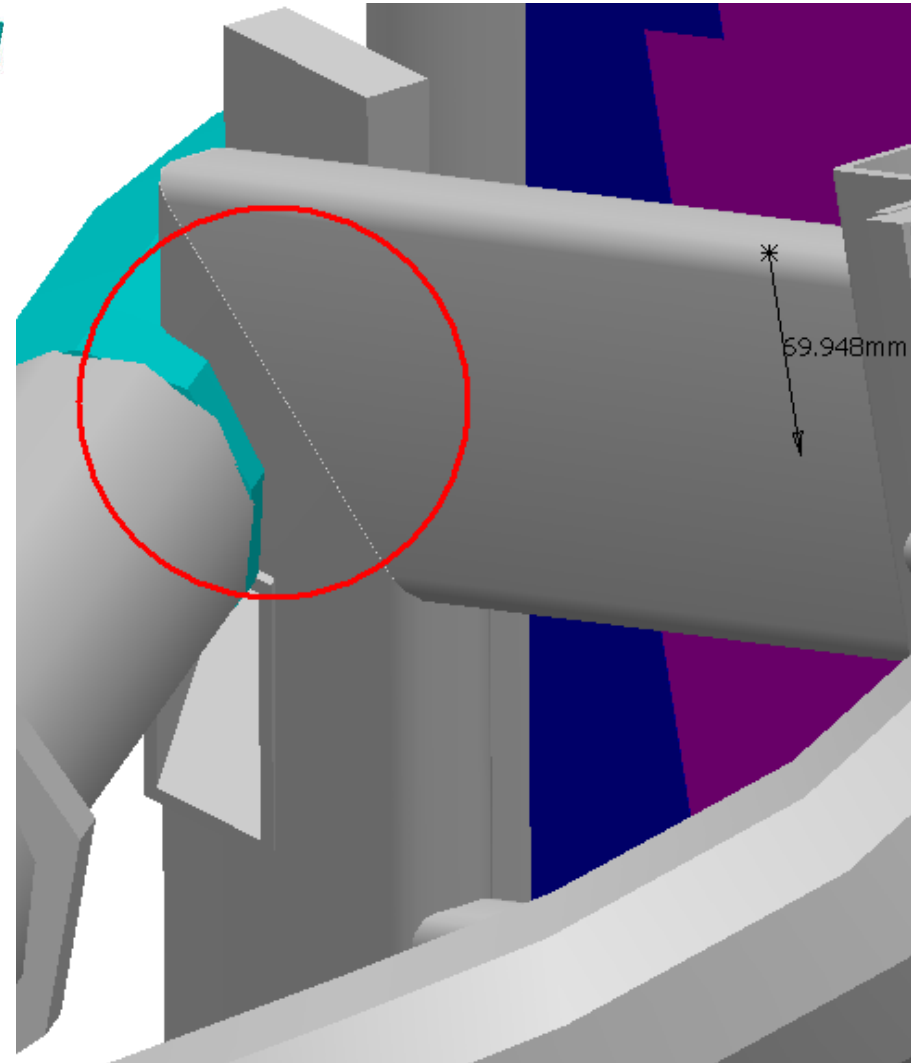
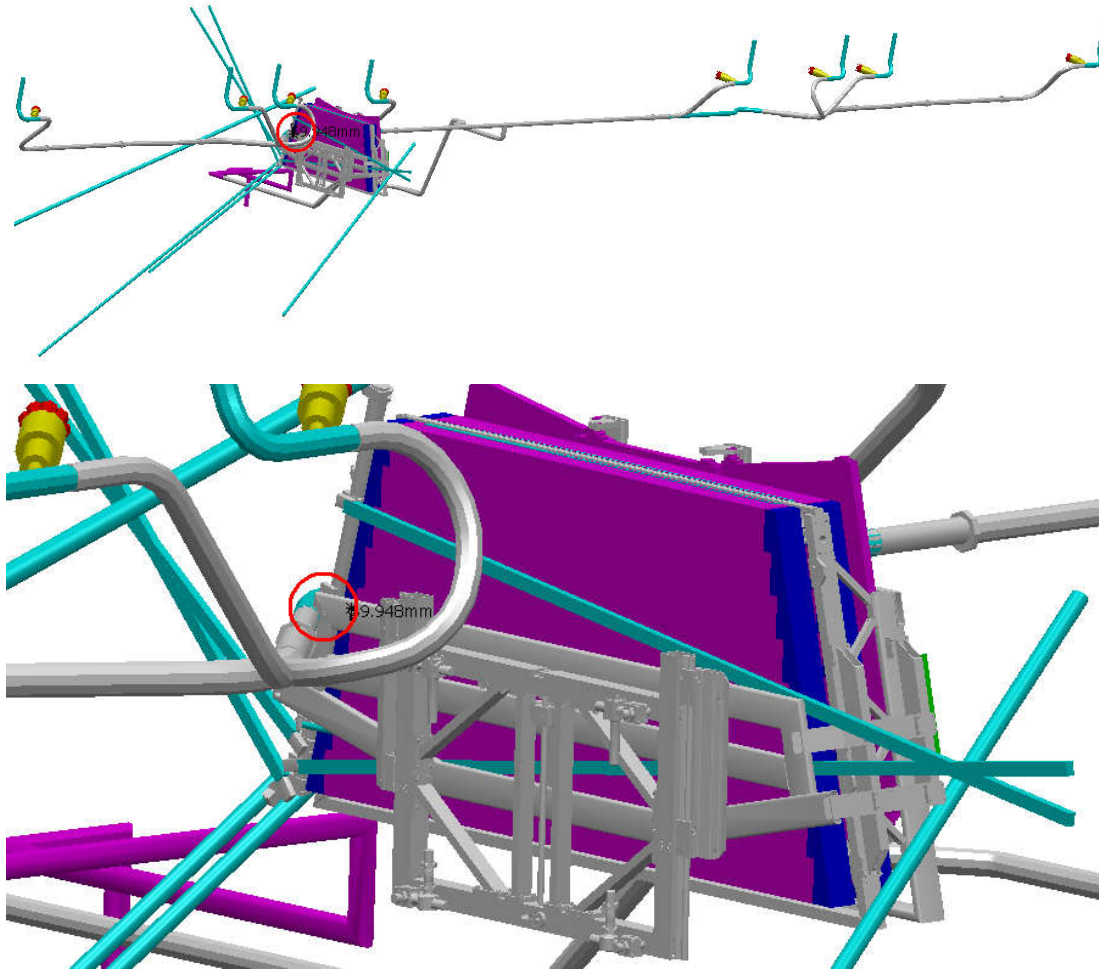
AT632809MQ - ALIGNMENT BAR
EIL4, SIDE A, SECTOR 13

NSE_0004 - DRAIN PIPE FOR - LAR END-CAP
CALORIMETER

Clash

-69.9 mm

Not inspected

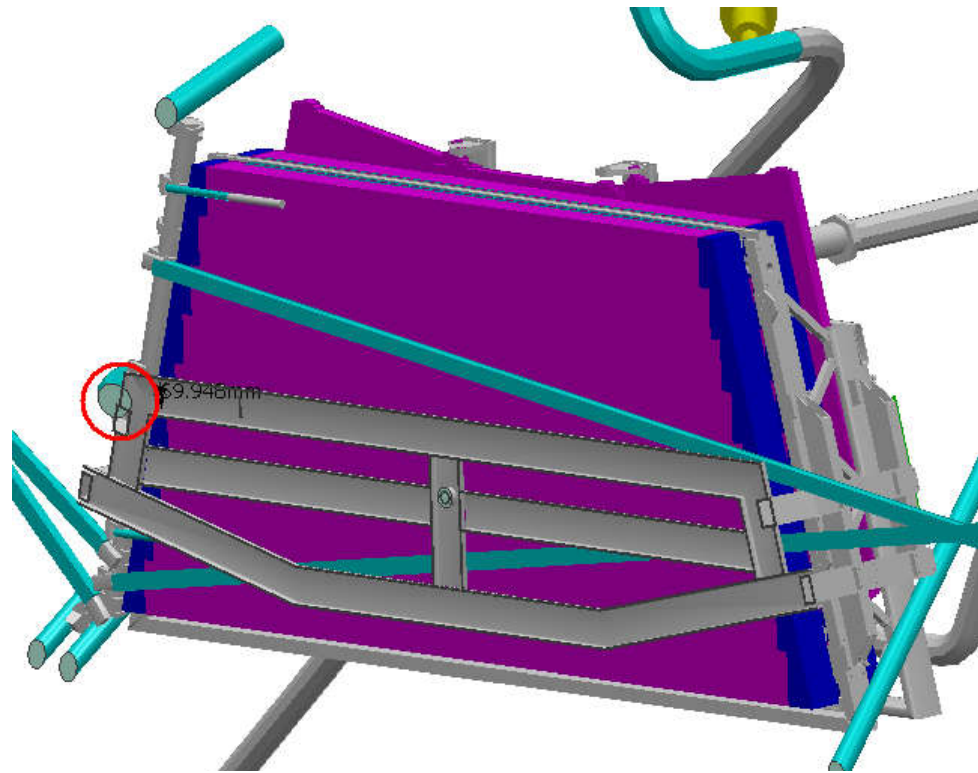


Clash value: ~ 69.9 mm

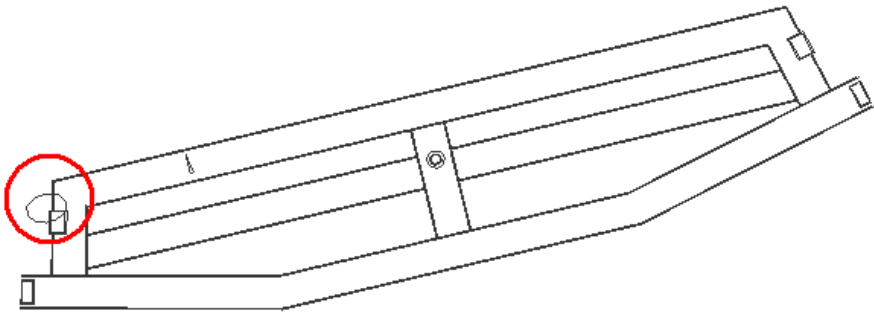
SIDE A

Sector 13

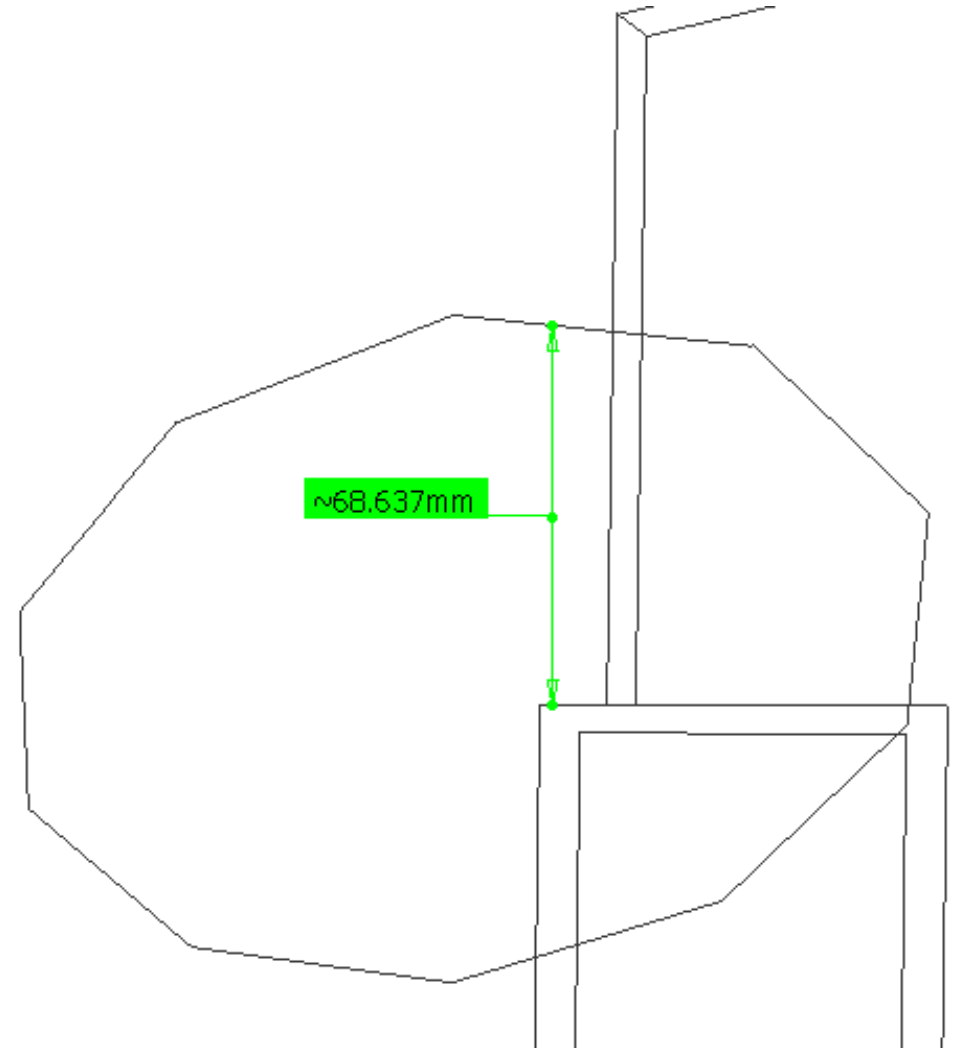
Clash View:



○



○○



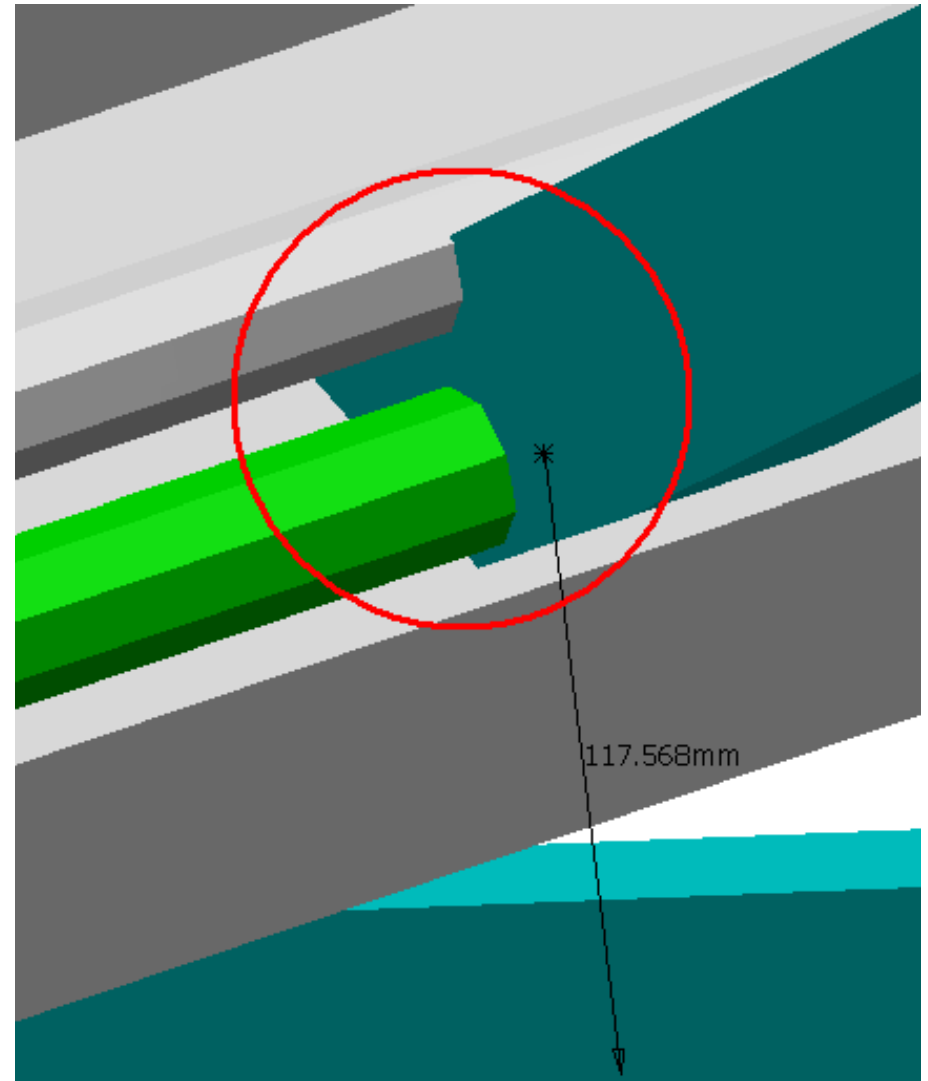
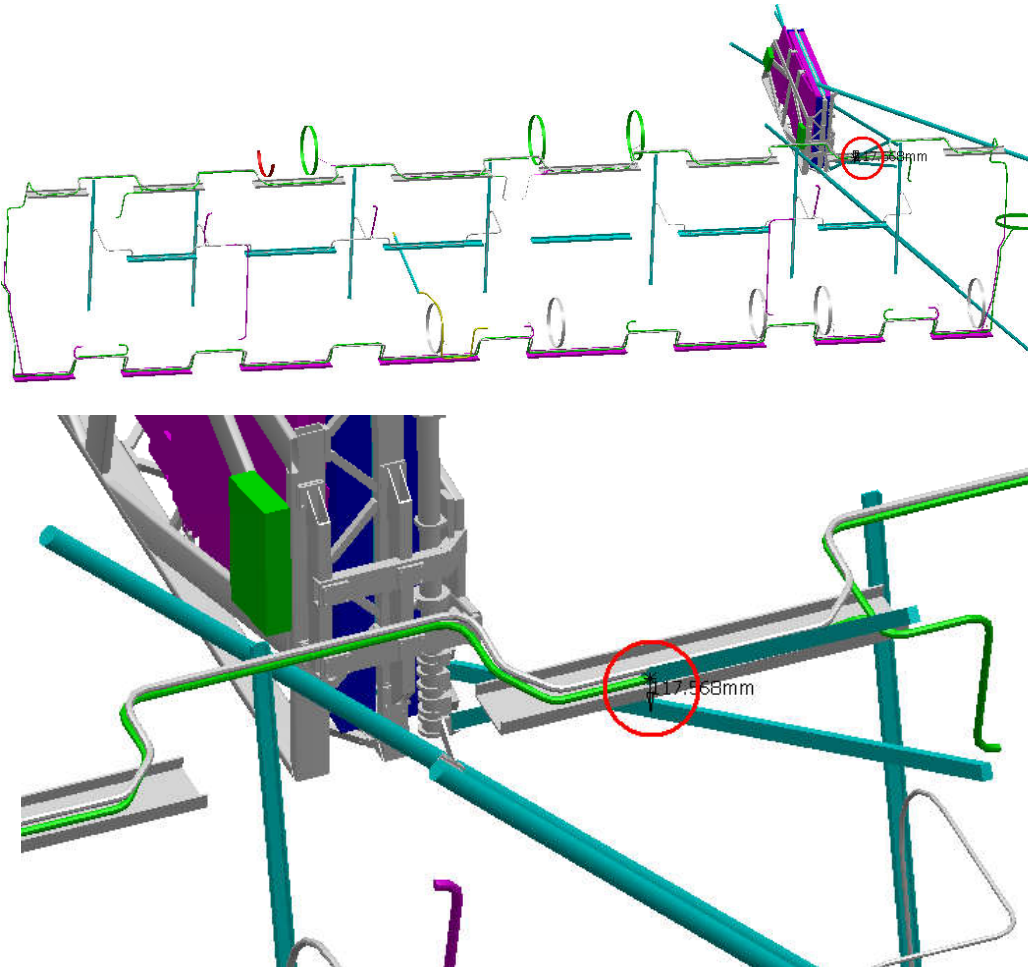
AT632809MQ - ALIGNMENT BAR
EIL4, SIDE A, SECTOR 13

NSM_0016 - BT HEATER CABLE DISTRIBUTION -
FOR FOOT REGION

Clash

-117.6 mm

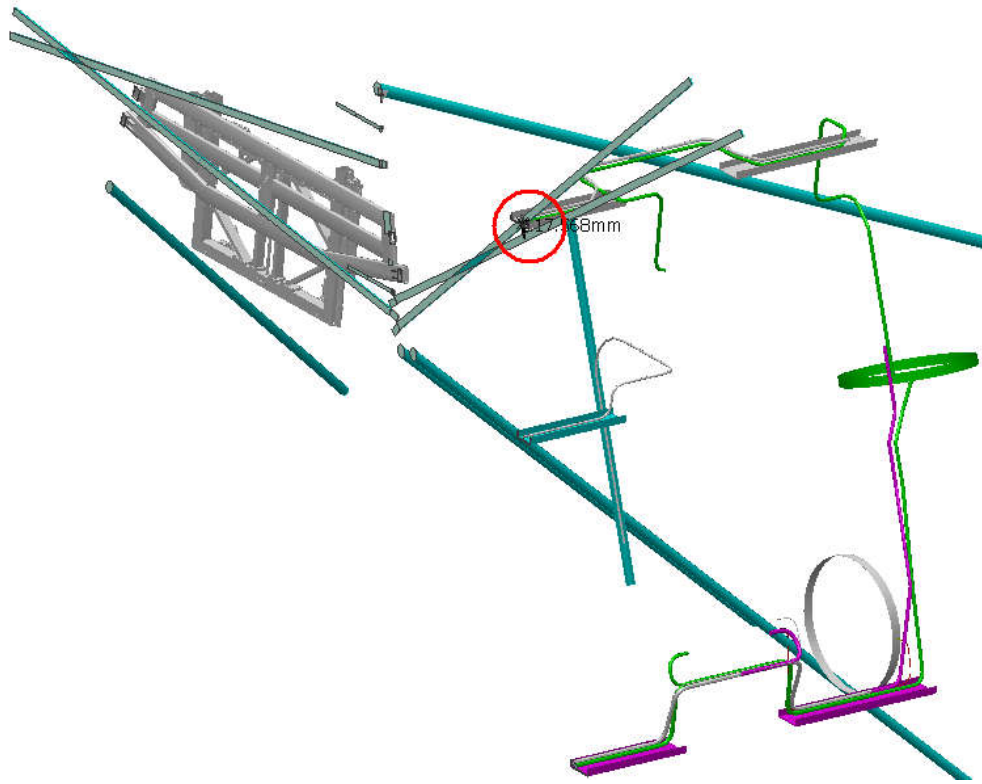
Not inspected



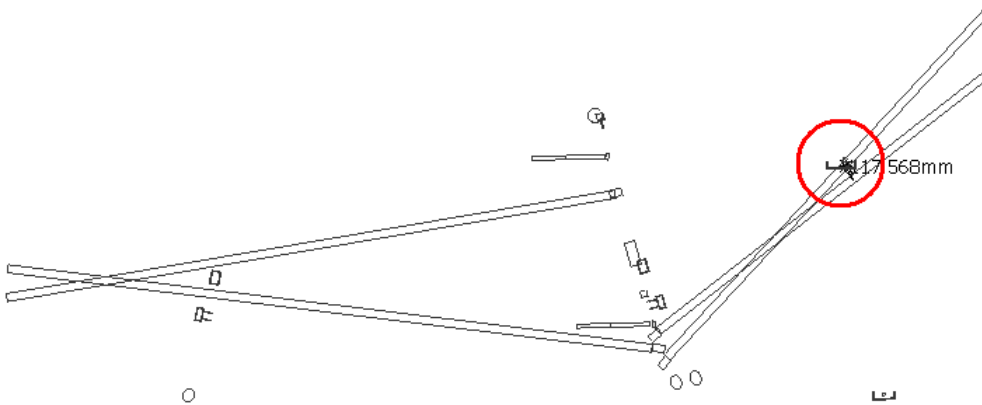
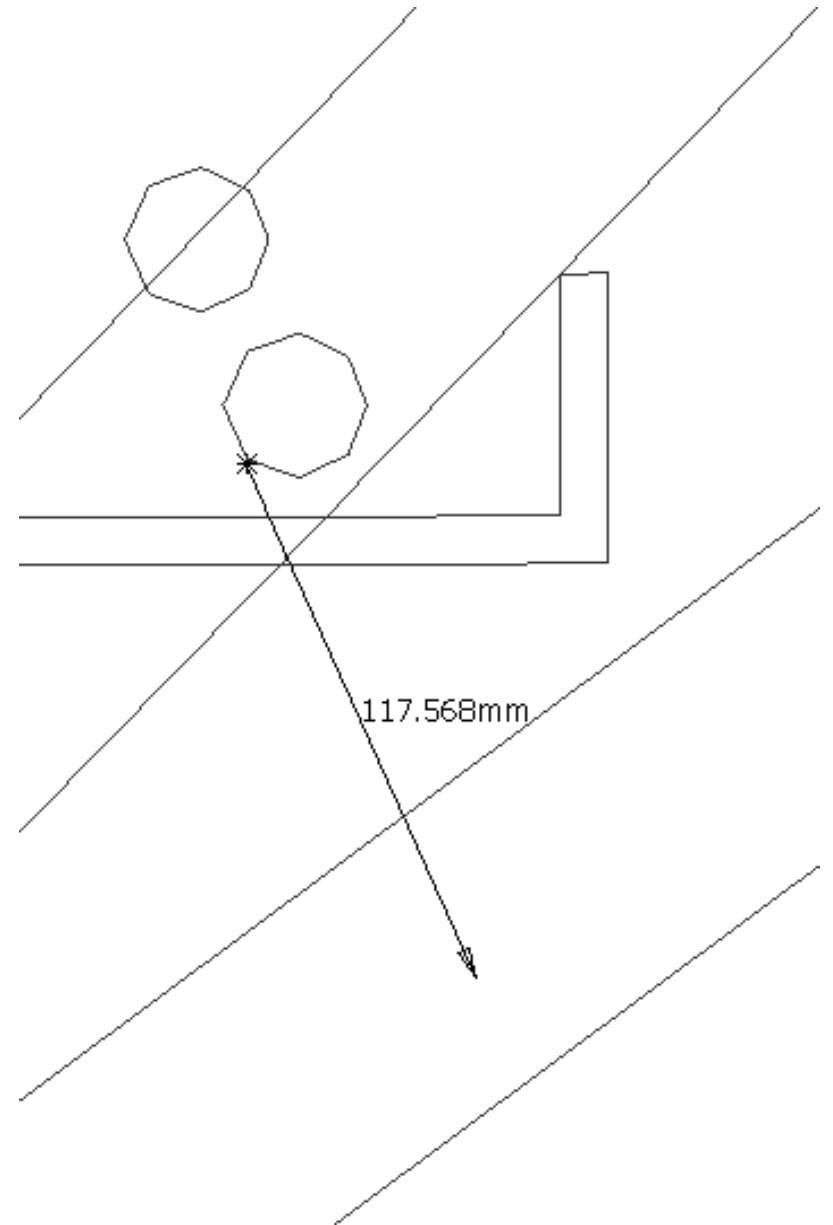
Clash value: ~ 117.6 mm

SIDE A

Sector 13



Clash View:



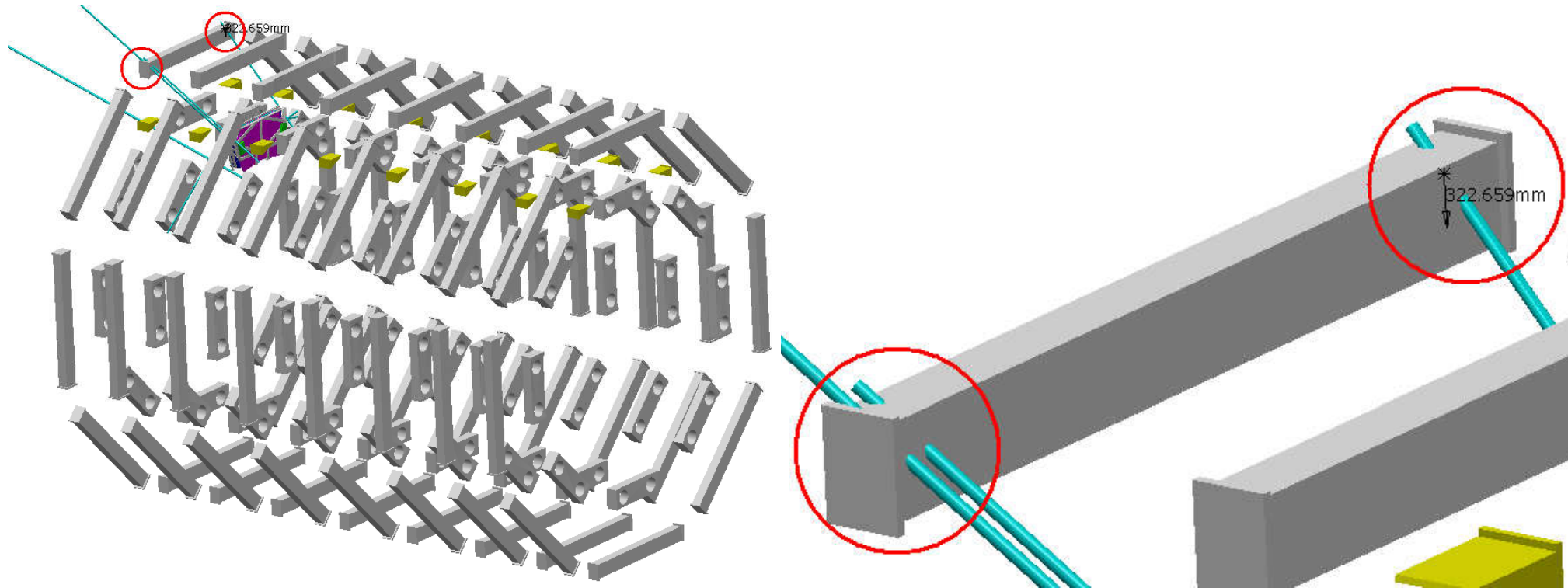
AT632809MQ - ALIGNMENT BAR
EIL4, SIDE A, SECTOR 13

NTB_0003 - TB WARM STRUCTURE -
SIMPLIFIED 3-D OBJECT

Clash

-322.6 mm

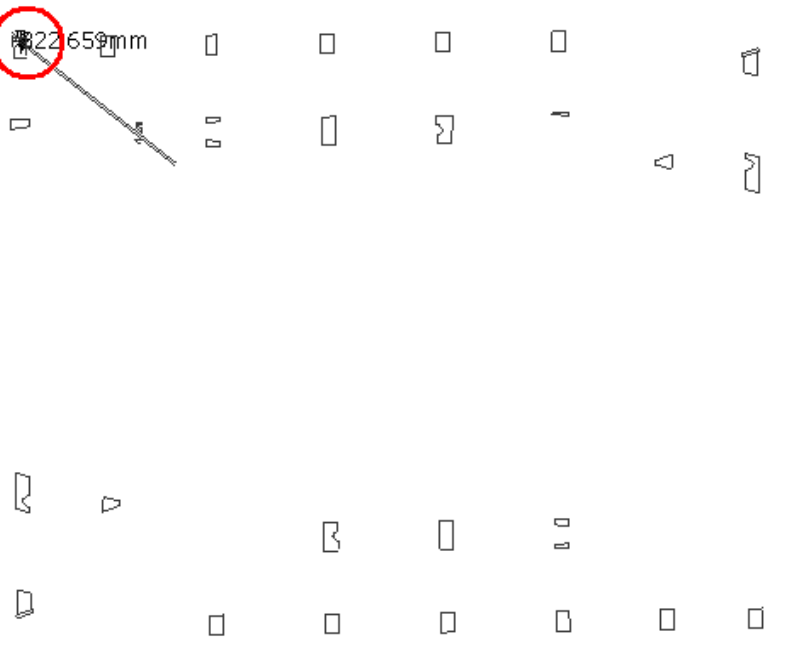
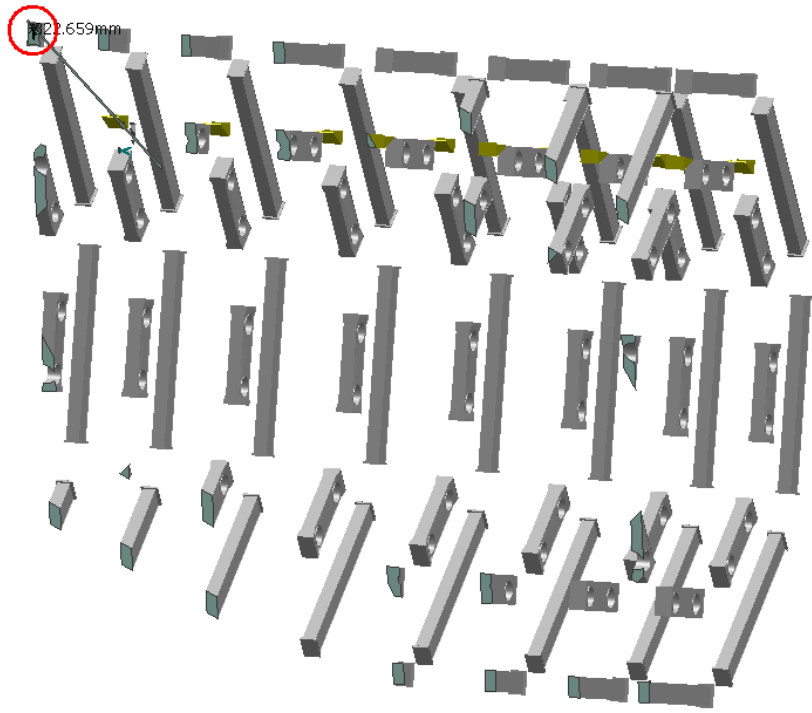
Not inspected



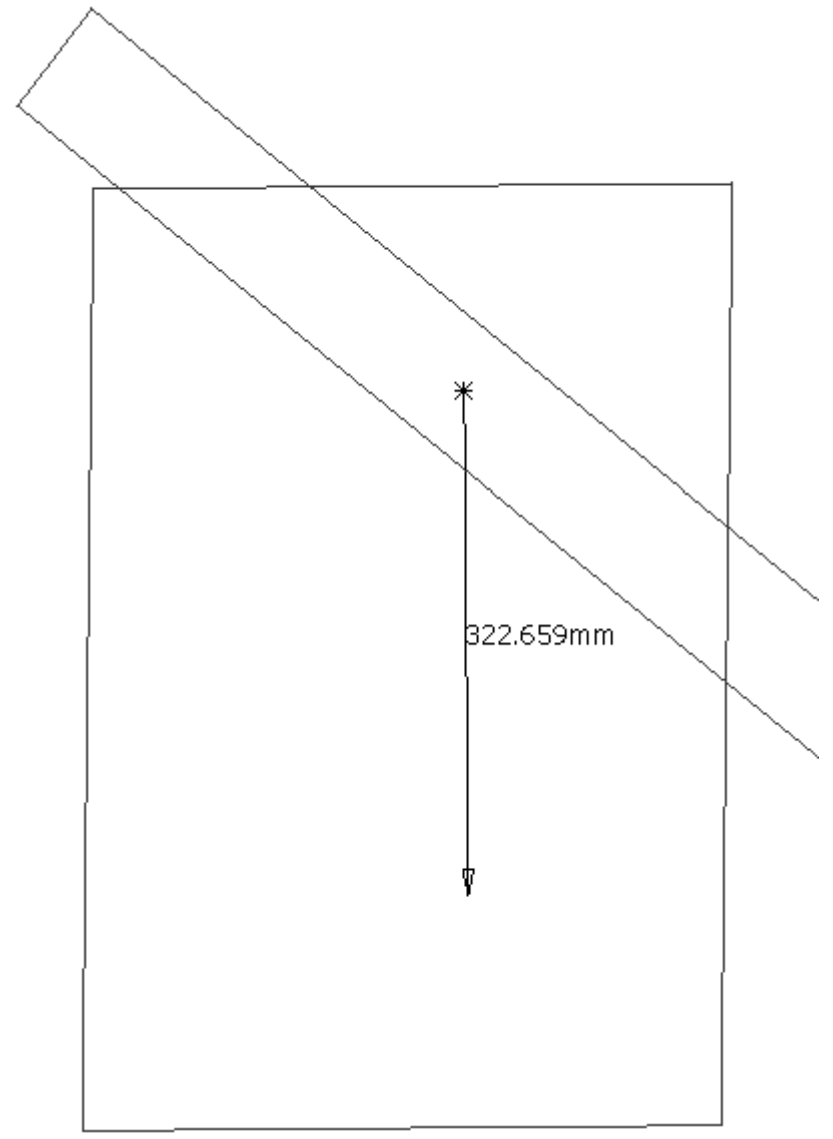
Clash value: ~ 322.6 mm

SIDE A

Sector 13



Clash View:



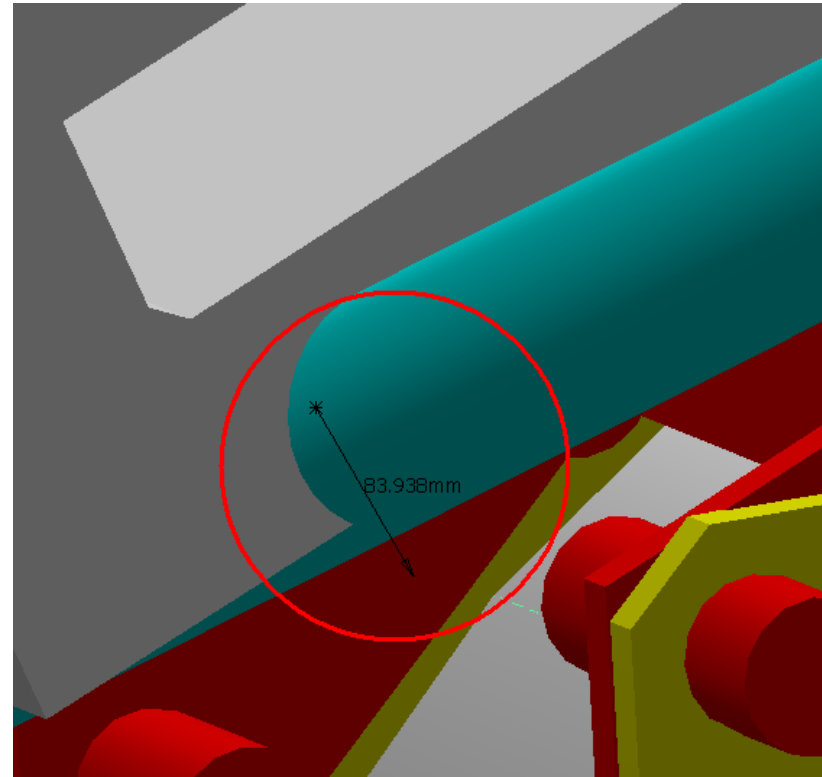
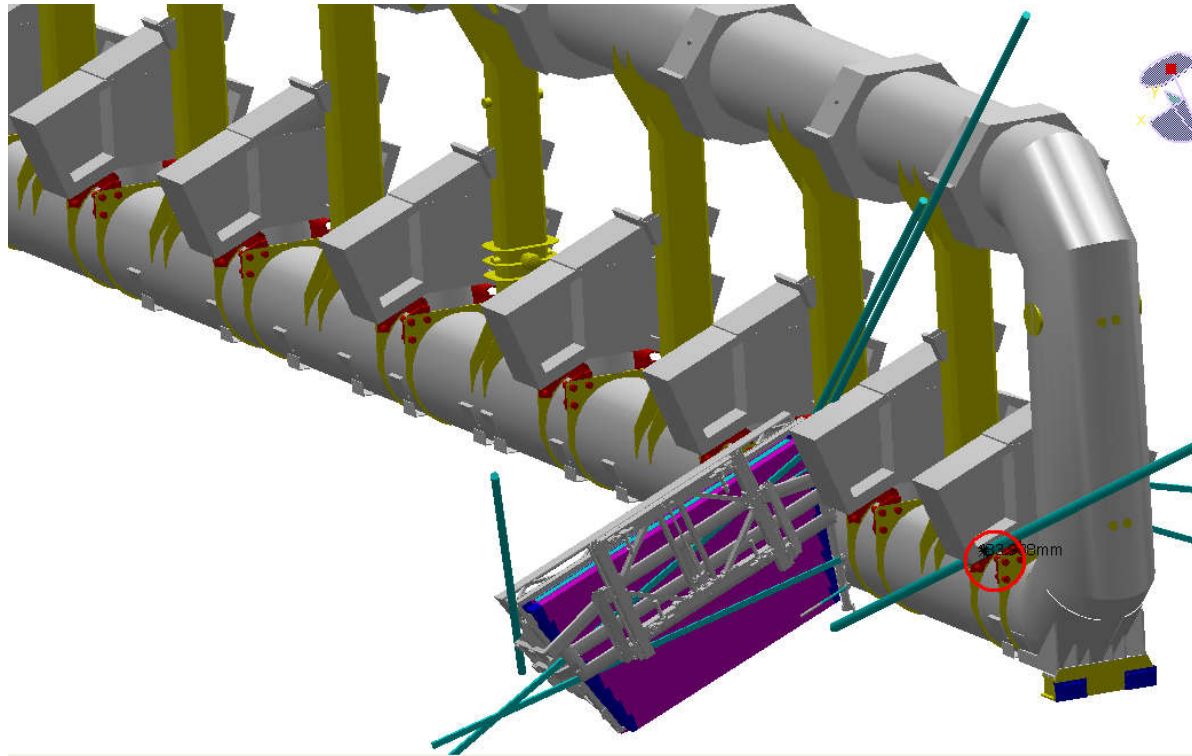
AT632809MQ - ALIGNMENT BAR
EIL4, SIDE A, SECTOR 13

NTB_0002 - TB FEET COIL - SECTOR 12

Clash

-83.9 mm

Not inspected

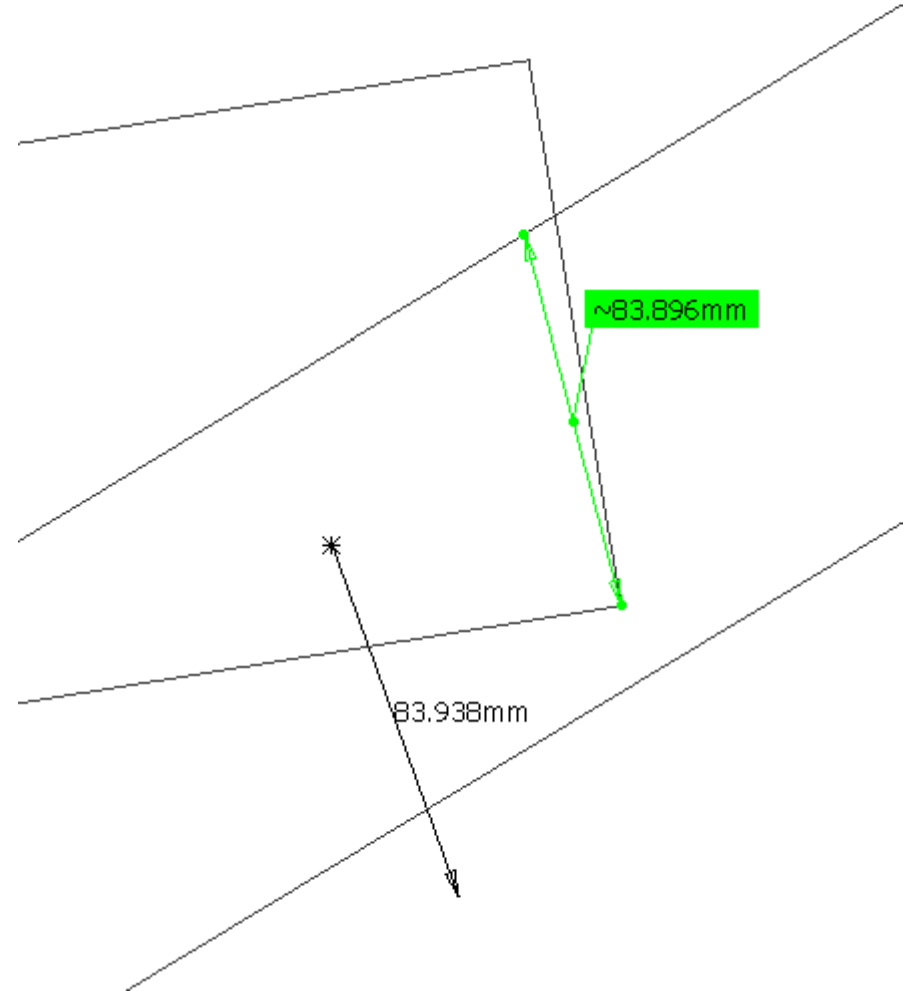
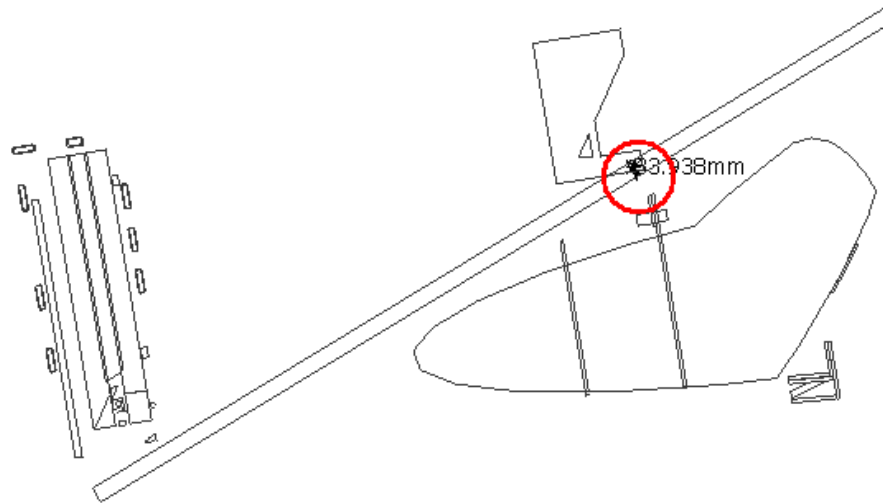
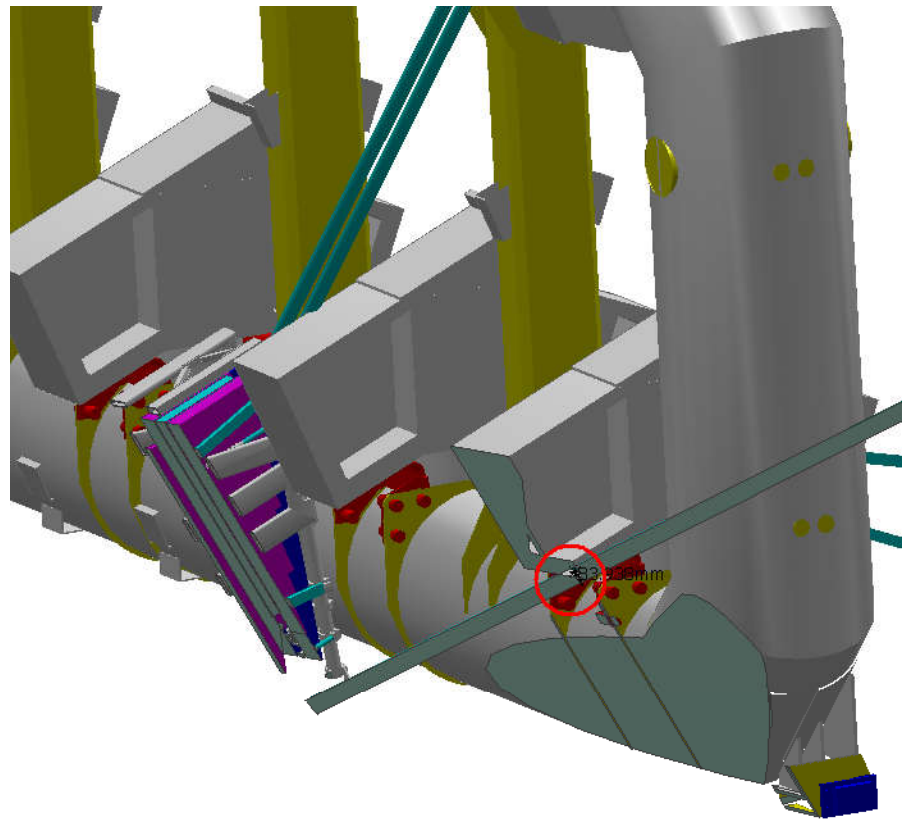


Clash value: ~ 83.9 mm

SIDE A

Sector 12

Clash View:



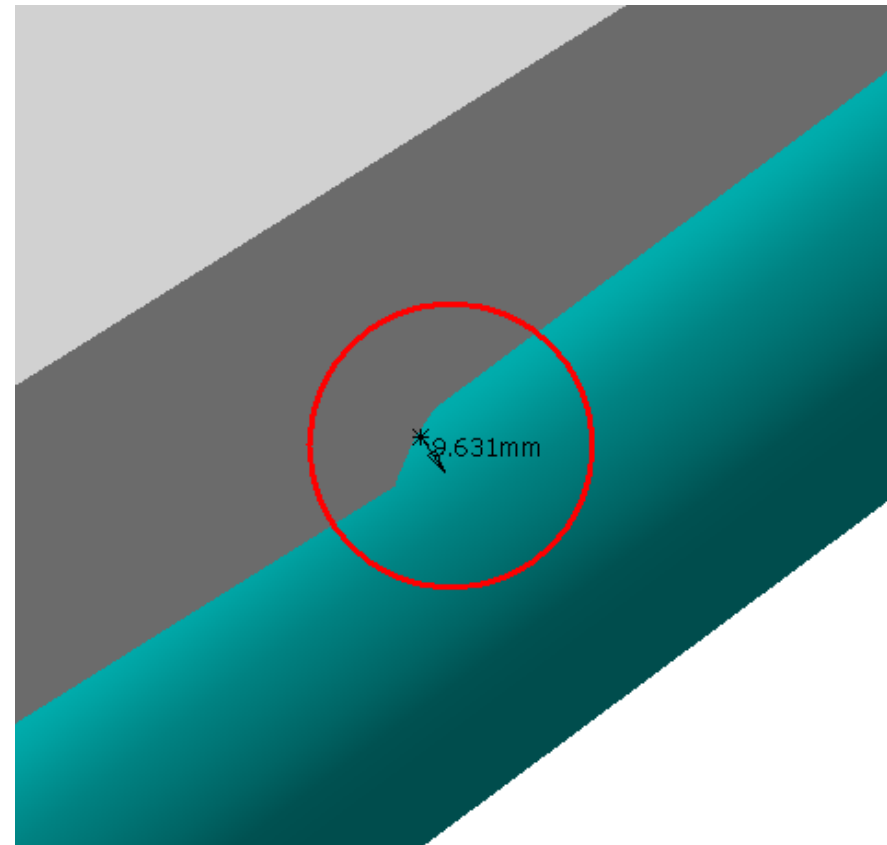
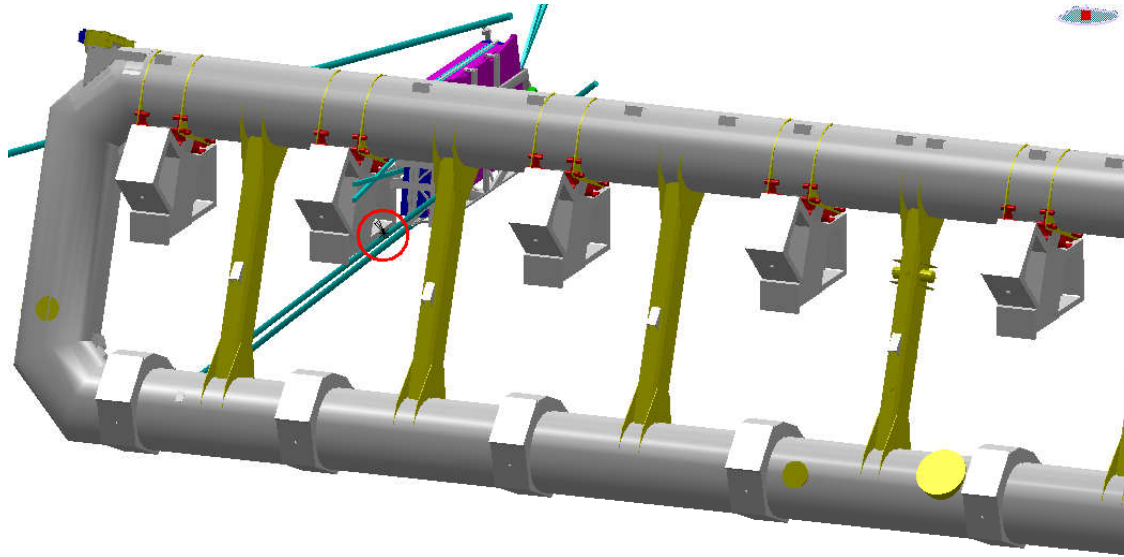
AT632809MQ - ALIGNMENT
BAR EIL4, SIDE A, SECTOR 13

NTB_0007 - TB FEET COIL - SECTOR 14

Clash

-9.6 mm

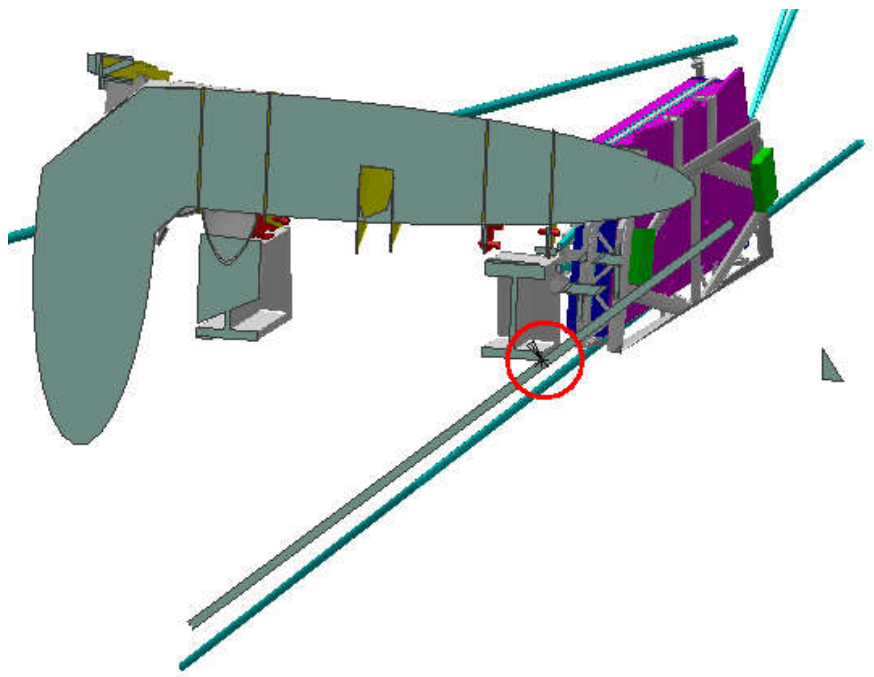
Not inspected



Clash value: ~ 9.6 mm

SIDE A

Sector 14



Clash View:

