



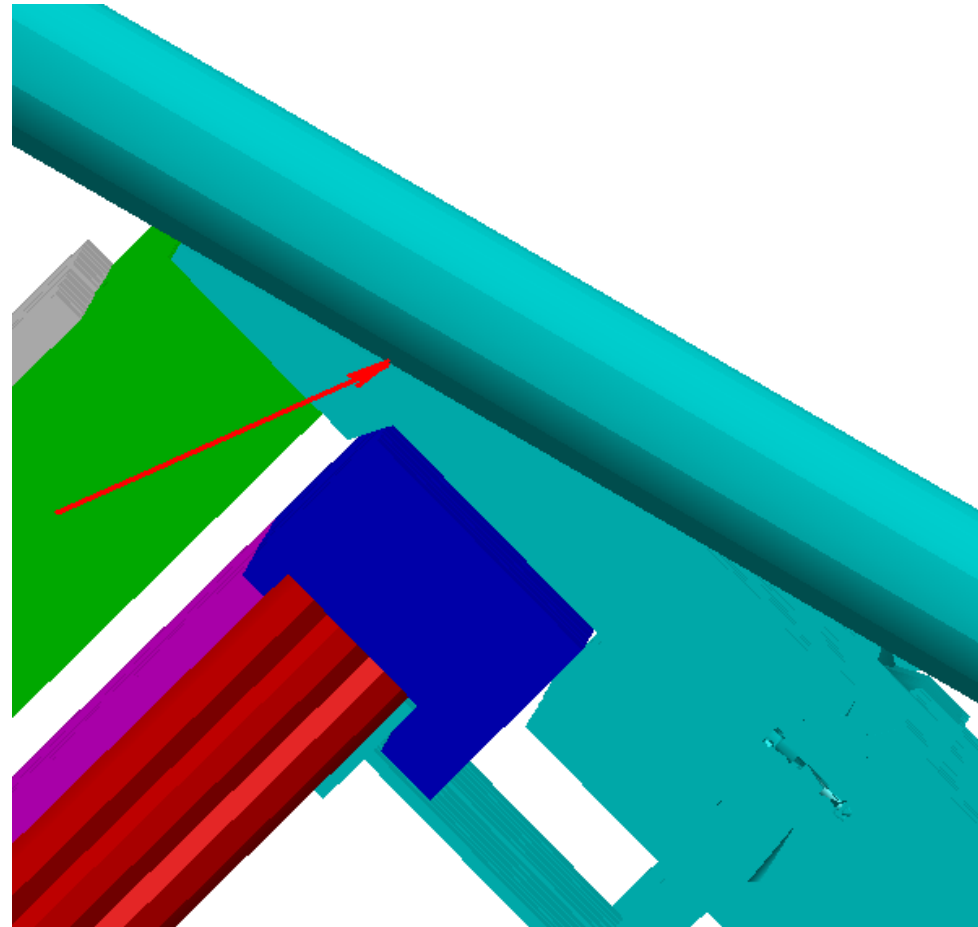
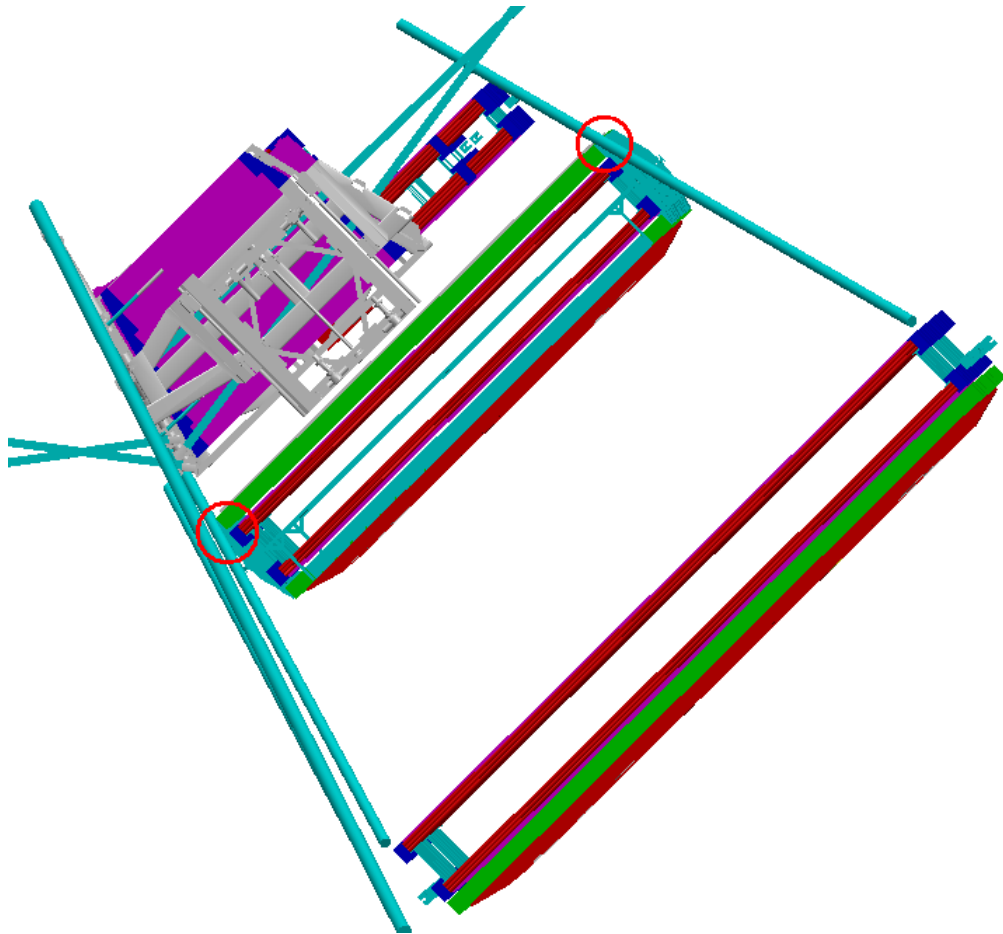
Clearance Publish

Clearance = 50mm

Clearance Computation Specification			
Products Selected		Value	Status
AT632808MQ - ALIGNMENT BAR EIL4, SIDE A, SECTOR 11	AT602161MQ - MUON BARREL CHAMBERS DETAILED - SECTOR 11	0 mm	Not inspected
	VHB_0006 - ASSEMBLY OF RAILS - DETAILED MODEL FOR STANDARDS	4.4 mm	Not inspected
	Z5_0002 - Z5 GLOBAL ENVELOPE (SIDE A) - AND LOCATION INTERFACES	23 mm	Not inspected

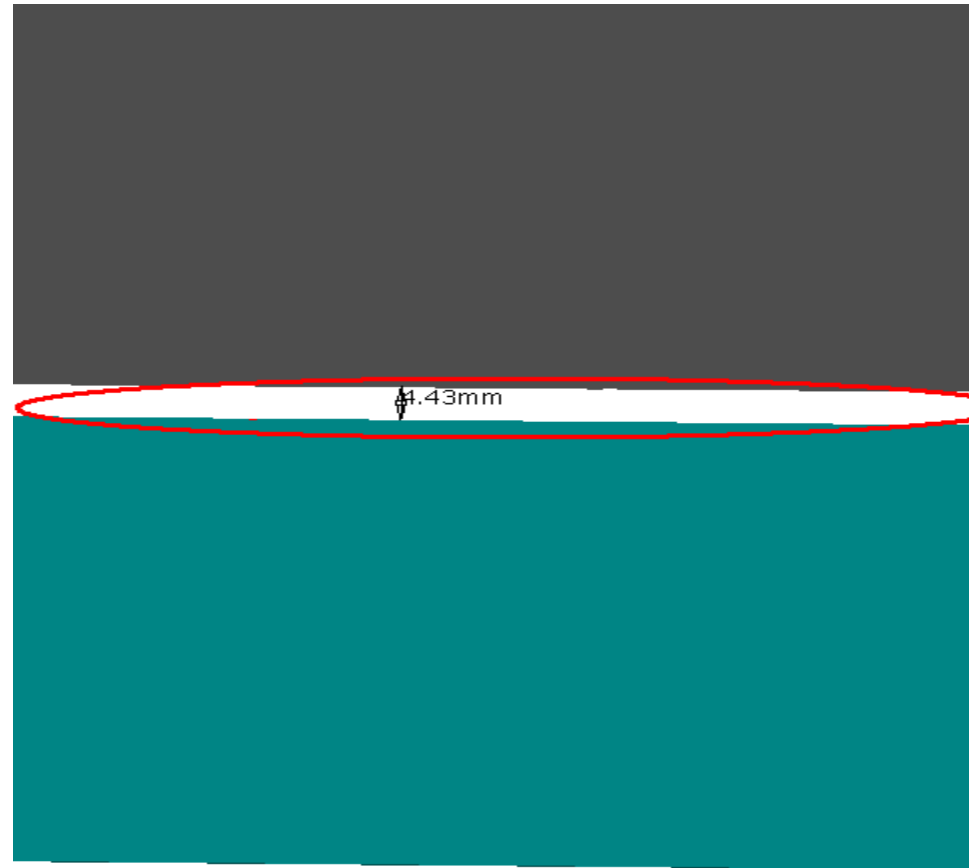
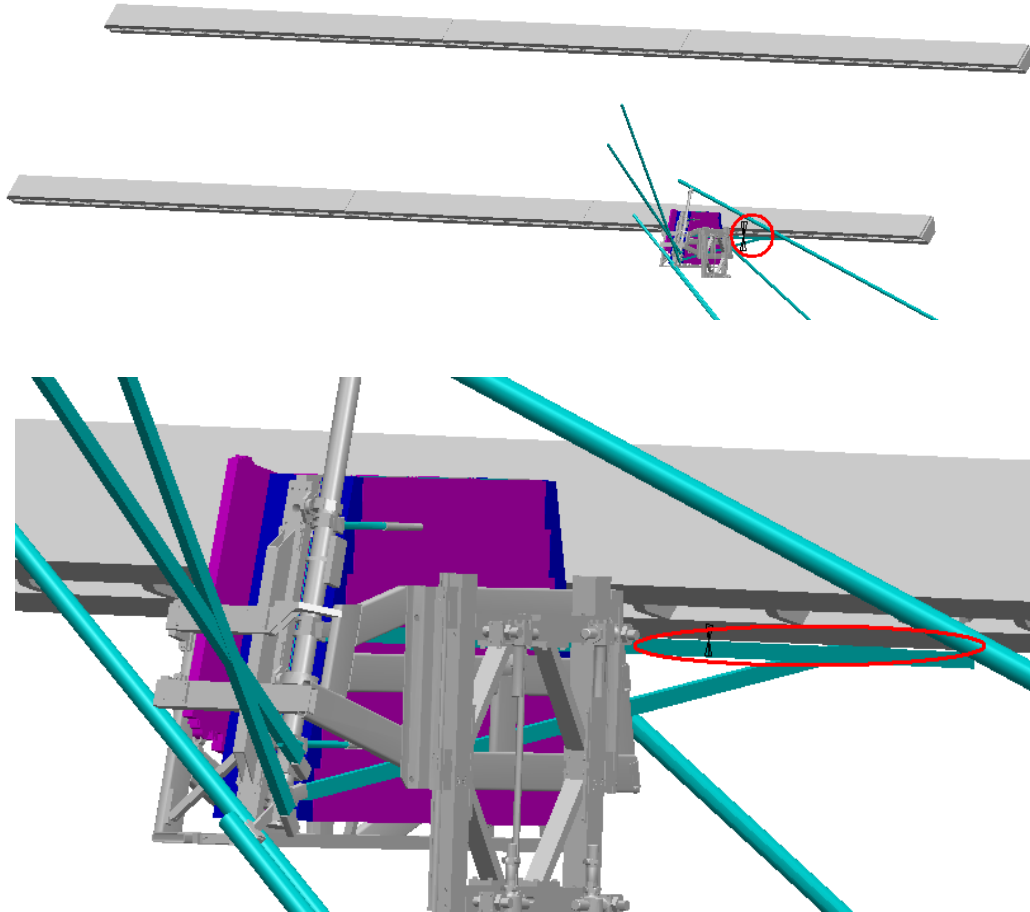
Computation Result:

AT632808MQ - ALIGNMENT BAR EIL4, SIDE A, SECTOR 11	AT602161MQ - MUON BARREL CHAMBERS DETAILED - SECTOR 11	Contact	0 mm			Not inspected
			$\Delta X \approx 0$	$\Delta Y \approx 0$	$\Delta Z \approx 0$	



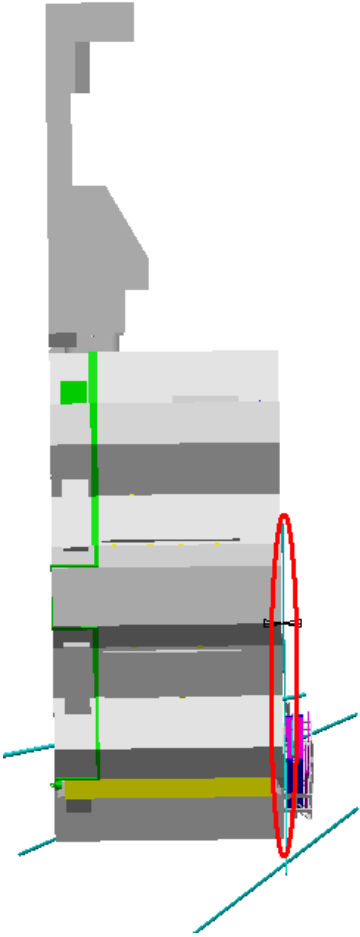
SIDE A
Sector 11

AT632808MQ - ALIGNMENT BAR EIL4, SIDE A, SECTOR 11	VHB_0006 - ASSEMBLY OF RAILS - DETAILED MODEL FOR STANDARDS	Clearance	4.4 mm			Not inspected
			$\Delta X \approx 3.2$	$\Delta Y \approx 0$	$\Delta Z \approx 3.1$	



SIDE A
Sector 11

AT632808MQ - ALIGNMENT BAR EIL4, SIDE A, SECTOR 11	Z5_0002 - Z5 GLOBAL ENVELOPE (SIDE A) - AND LOCATION INTERFACES	Clearance	23 mm			Not inspected
			$\Delta X \approx 0$	$\Delta Y \approx -23$	$\Delta Z \approx 0$	



SIDE A
Sector 11

