

Clash Publish



Clash Computation Specification			
Products Selected		Value	Status
AT632808MQ - ALIGNMENT BAR EIL4, SIDE A, SECTOR 11	VHB_0003 - STANDARD PAIR OF FEET A2 (C2) - DETAILED MODEL FOR STANDARDS	-144.9 mm	Not inspected
	AT602168MQ - MUON BARREL CHAMBERS DETAILED - SECTOR 10	-720.2 mm	Not inspected
	NMC_0017 - MEI, CSC CHAMBERS - SIMPLIFIED 3-D OBJECT	-39.9 mm	Not inspected
	NSM_0016 - BT HEATER CABLE DISTRIBUTION - FOR FOOT REGION	-117.6 mm	Not inspected
	NTB_0003 - TB WARM STRUCTURE - SIMPLIFIED 3-D OBJECT	-282.1 mm	Not inspected
	NTB_0002 - TB FEET COIL - SECTOR 12	-9.8 mm	Not inspected
	NTB_0001 BT8 - TB STANDARD COIL - SECTOR 8	-68.2 mm	Not inspected
	NTB_0001 BT10 - TB STANDARD COIL - SECTOR 10	-84 mm	Not inspected

Computation Result:

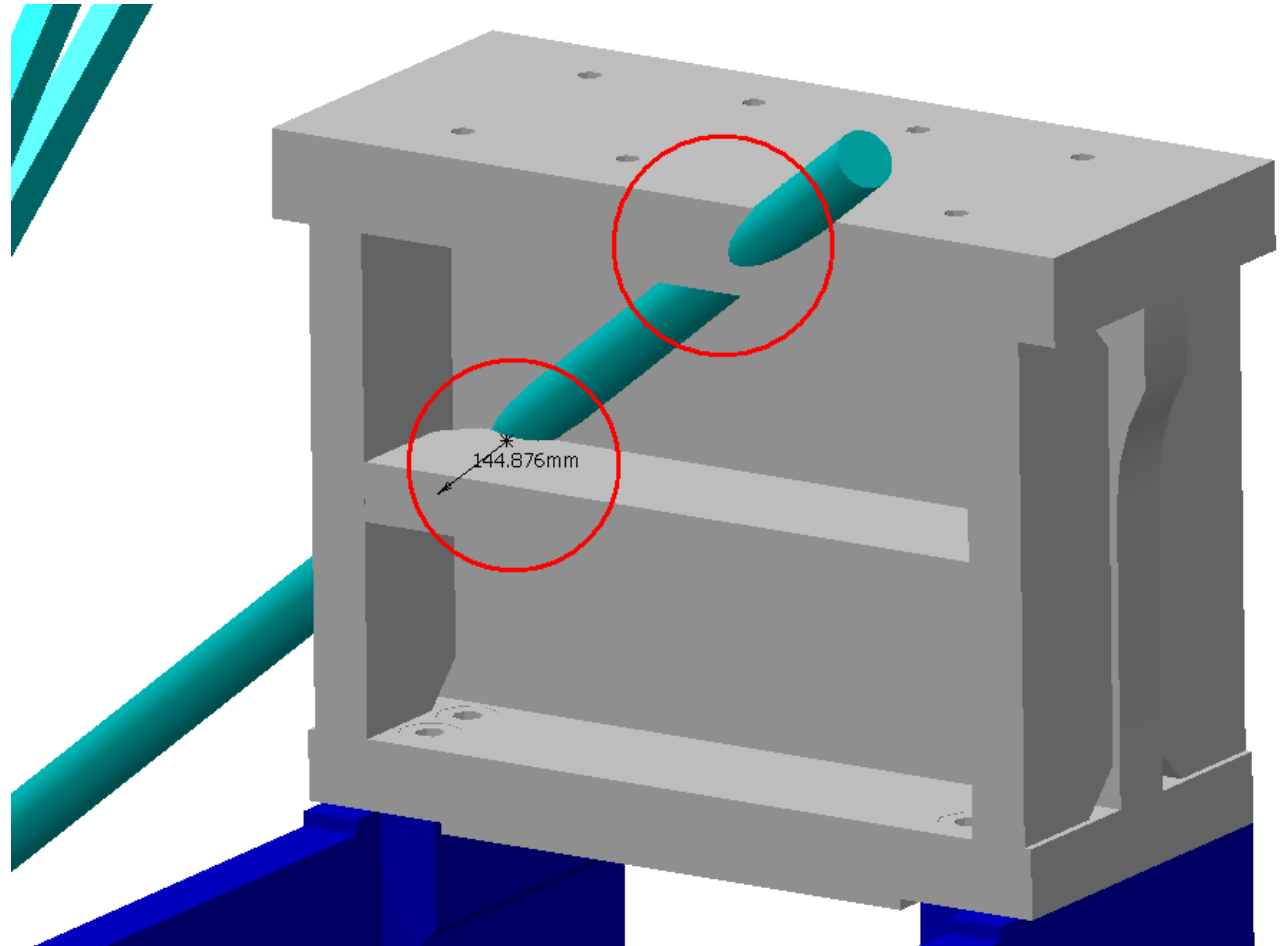
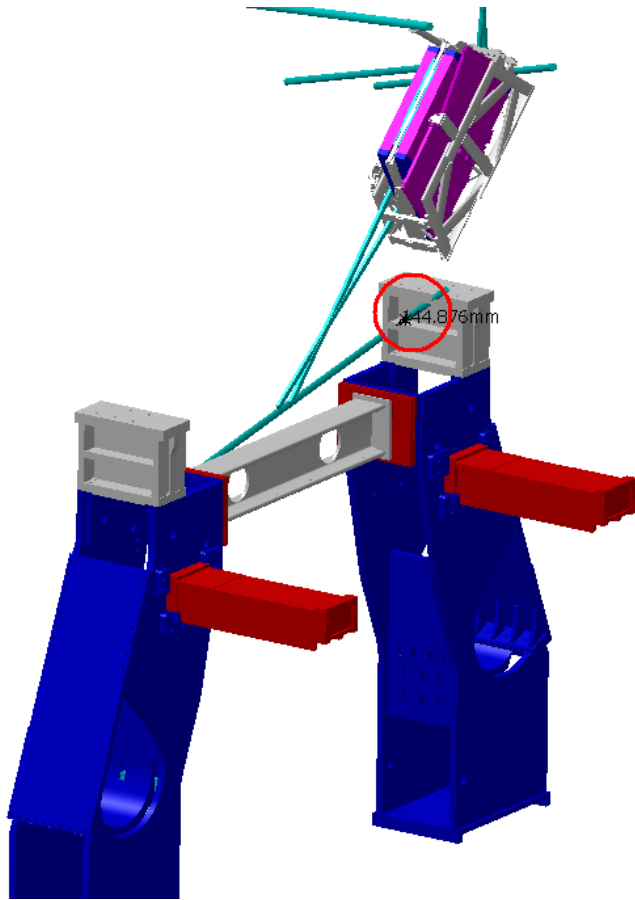
AT632808MQ - ALIGNMENT BAR
EIL4, SIDE A, SECTOR 11

VHB_0003 - STANDARD PAIR OF FEET A2 (C2) -
DETAILED MODEL FOR STANDARDS

Clash

-144.9 mm

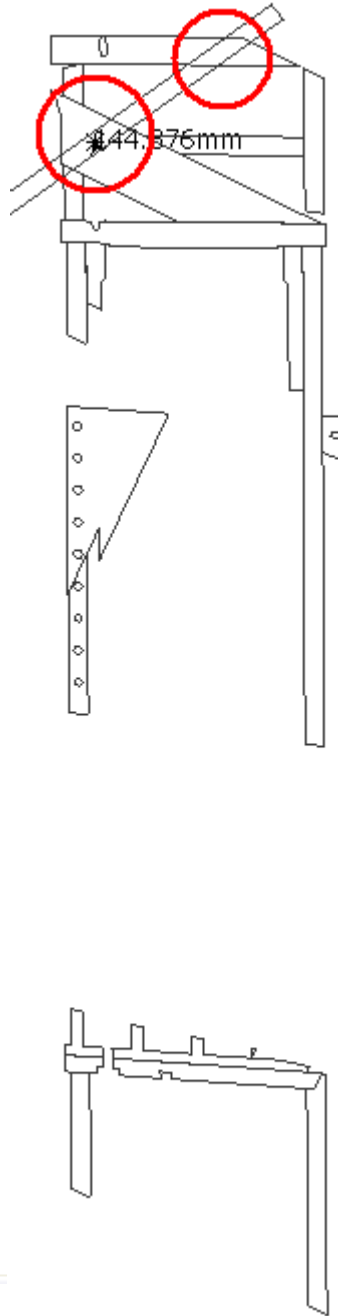
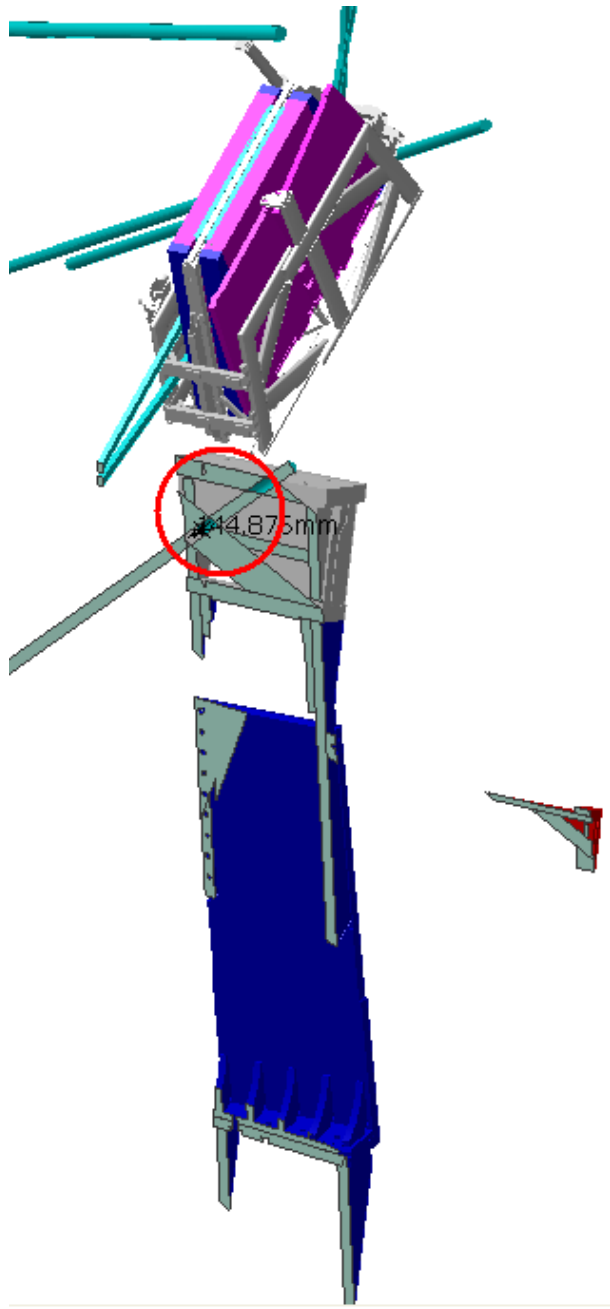
Not inspected



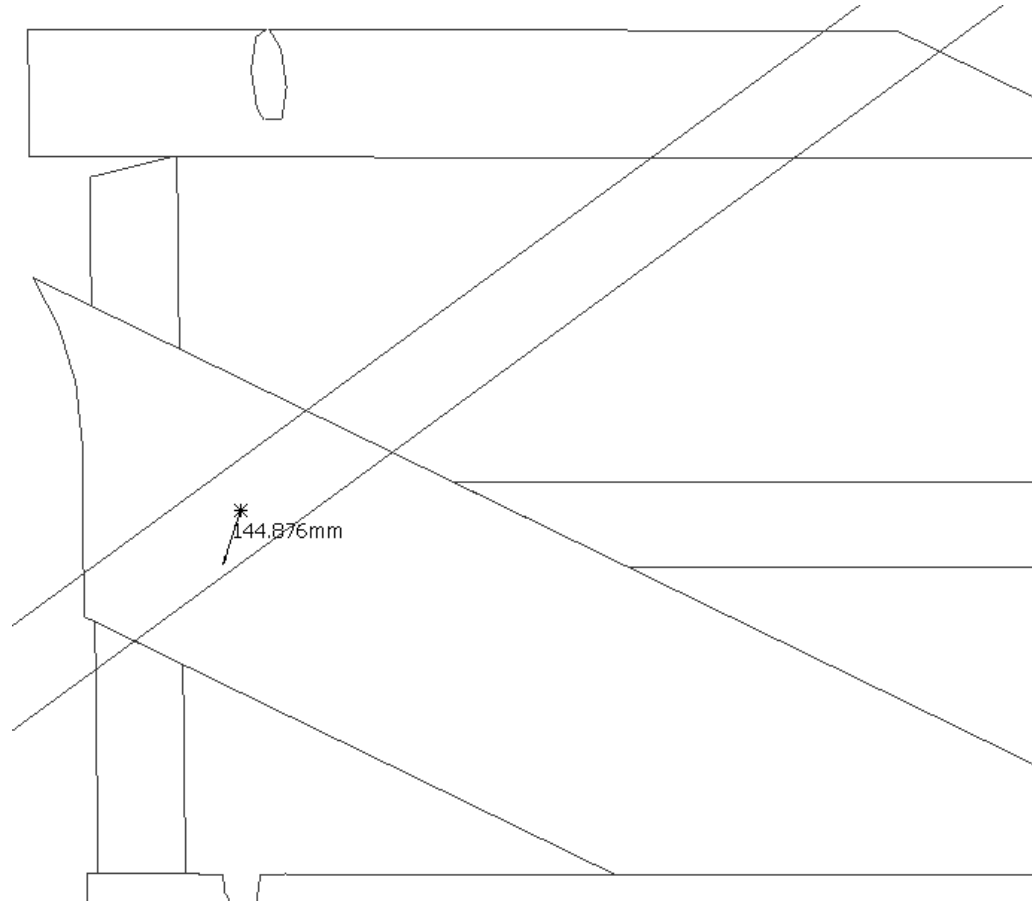
Clash value: ~ 144.9 mm

SIDE A

Sector 11



Clash View:



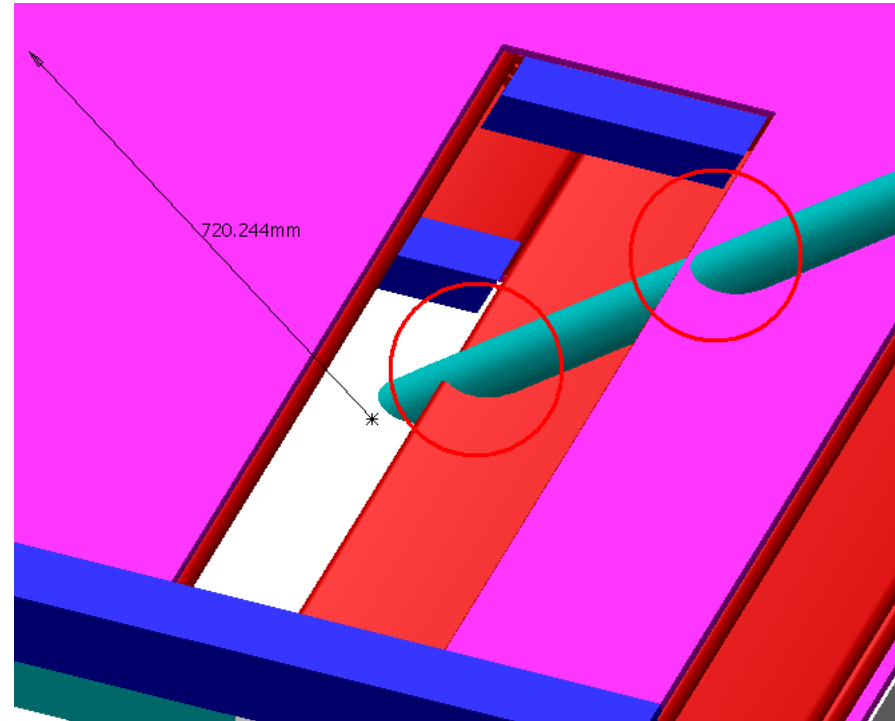
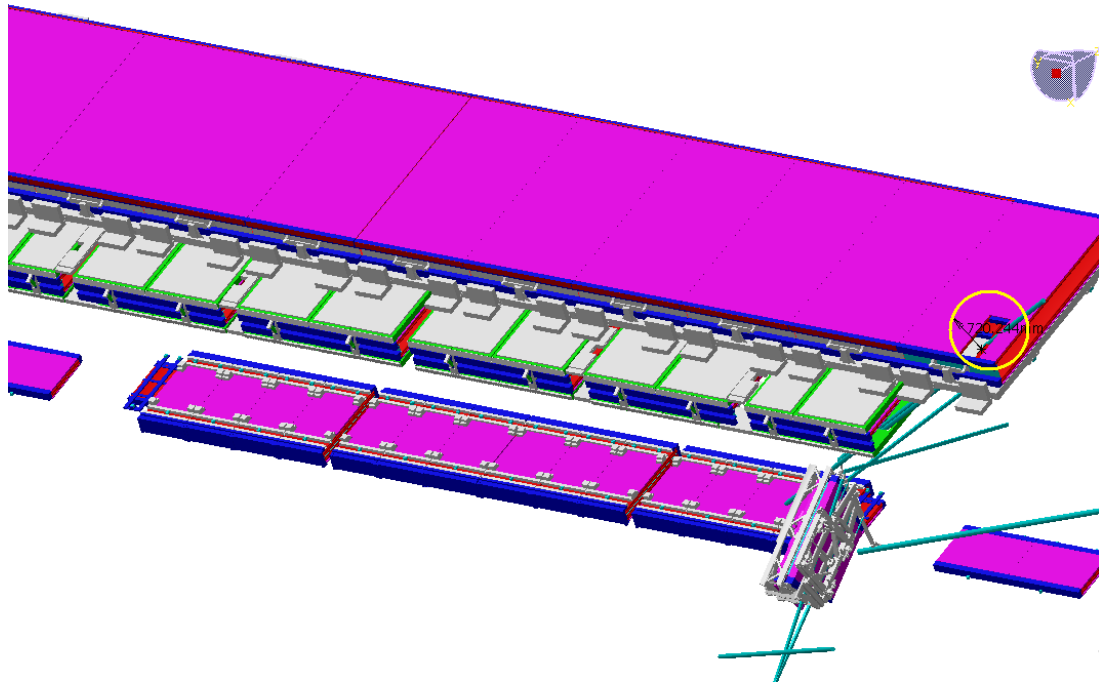
AT632808MQ - ALIGNMENT BAR
EIL4, SIDE A, SECTOR 11

AT602168MQ - MUON BARREL CHAMBERS
DETAILED - SECTOR 10

Clash

-720.2 mm

Not inspected

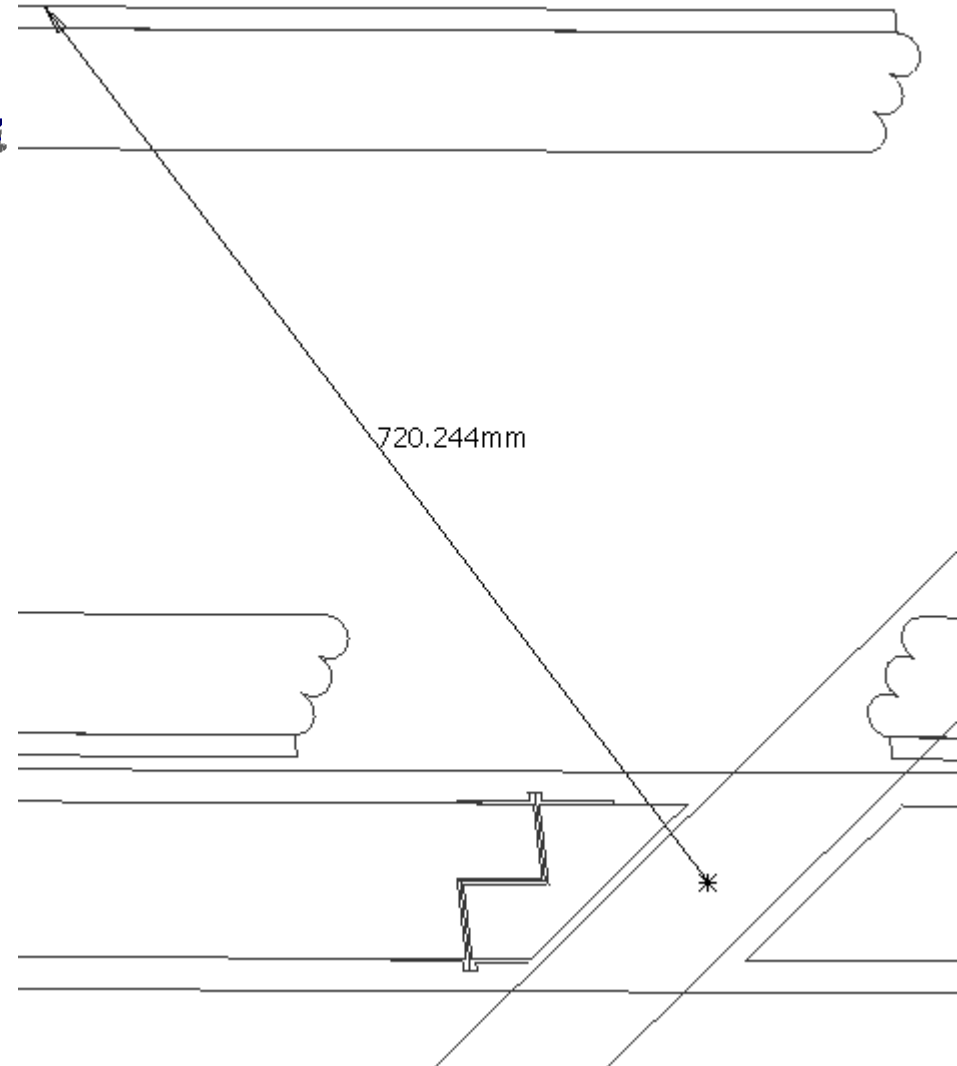
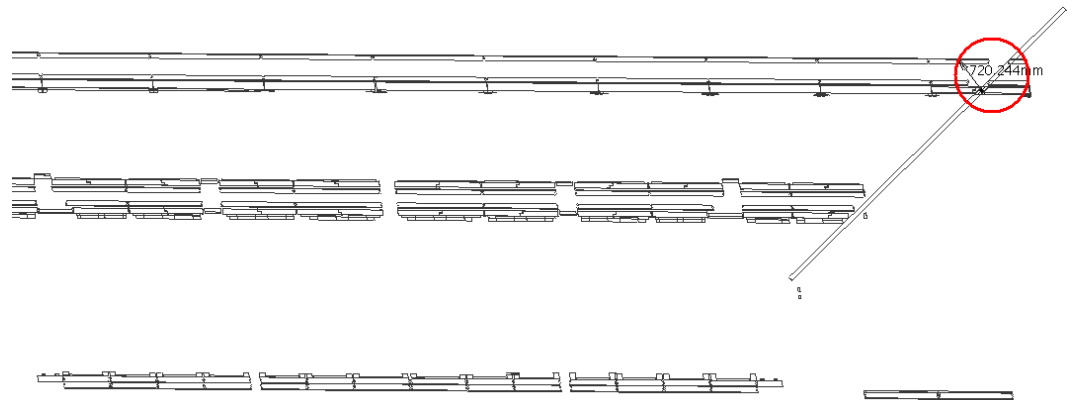
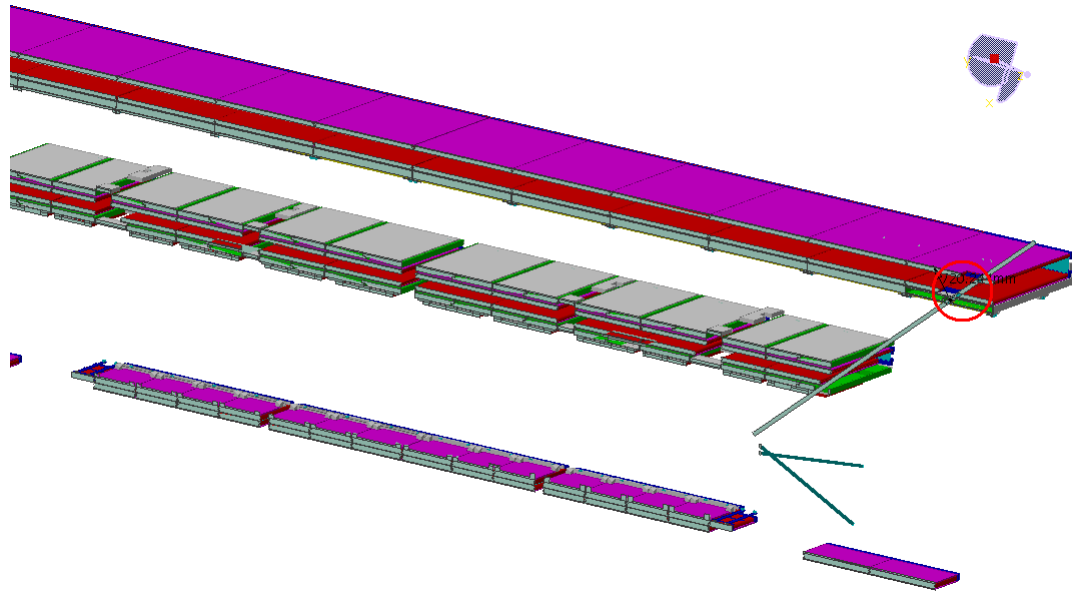


Clash value: ~ 720.2 mm

SIDE A

Sector 10

Clash View:



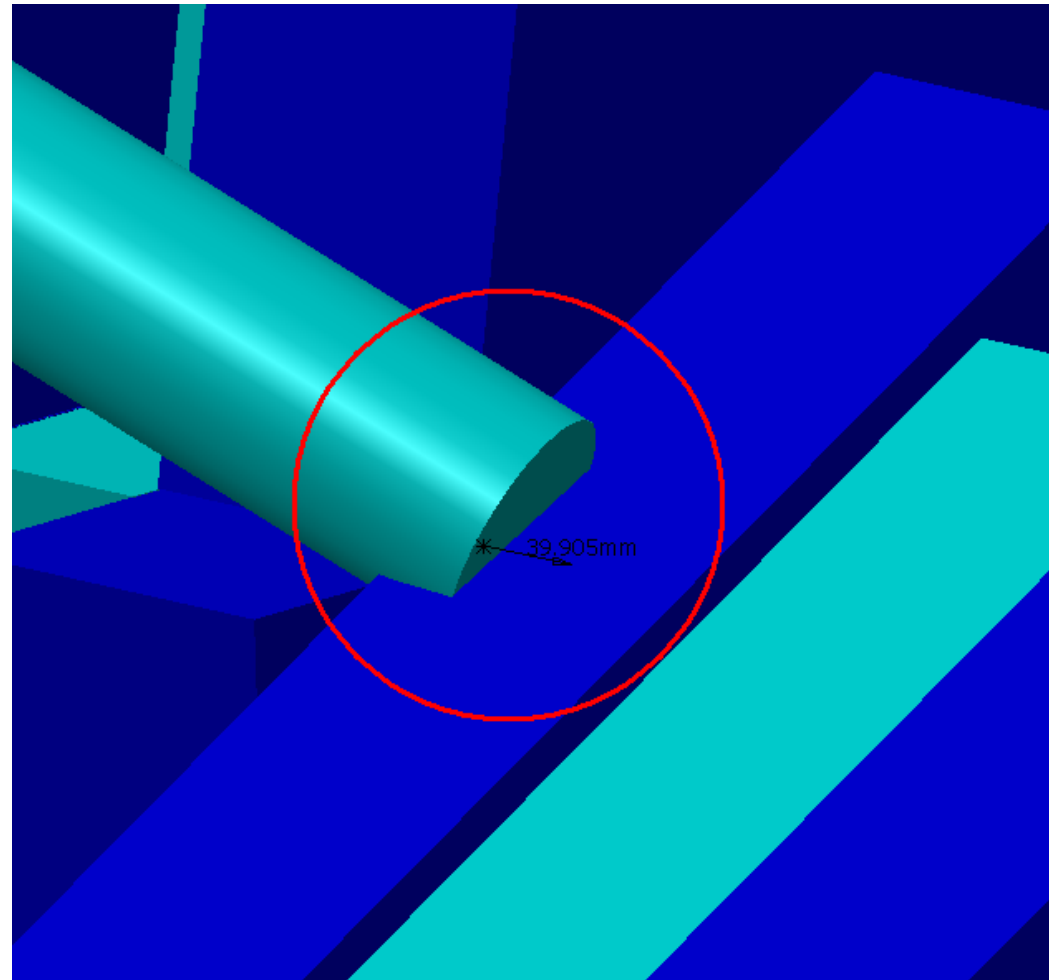
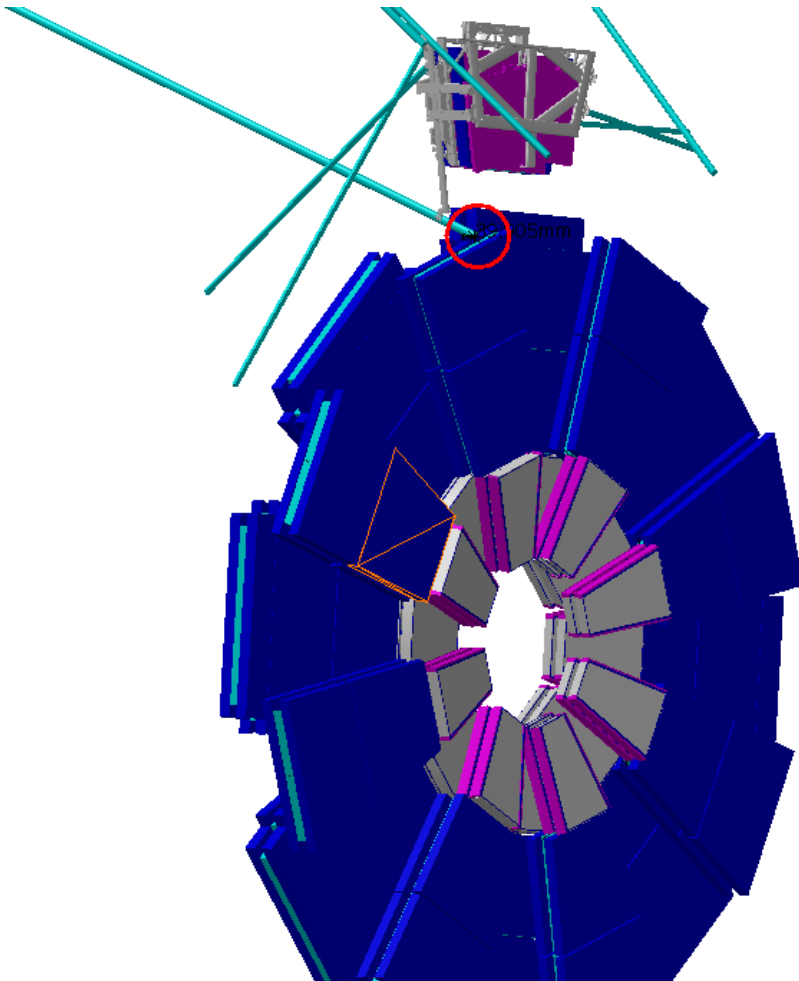
AT632808MQ - ALIGNMENT BAR
EIL4, SIDE A, SECTOR 11

NMC_0017 - MEI, CSC CHAMBERS - SIMPLIFIED 3-
D OBJECT

Clash

-39.9 mm

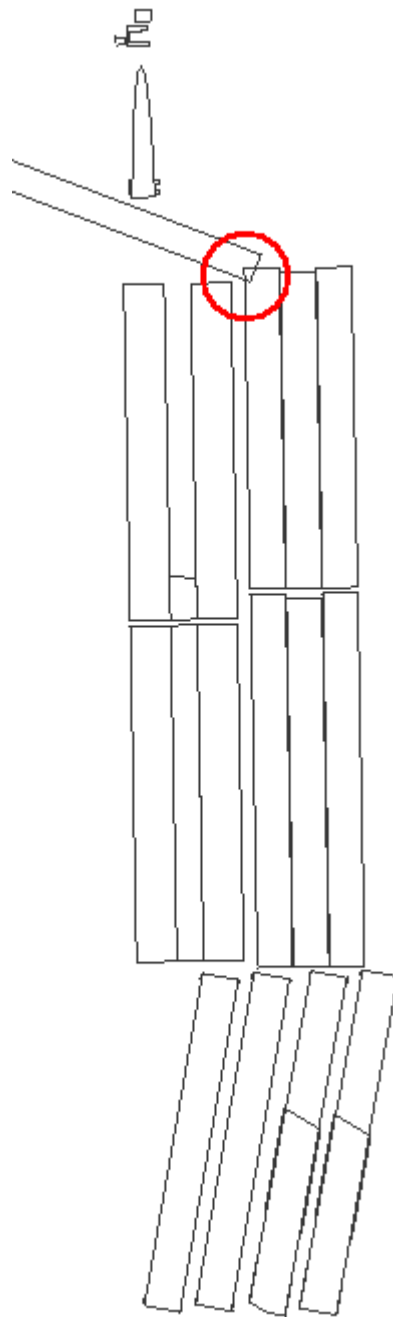
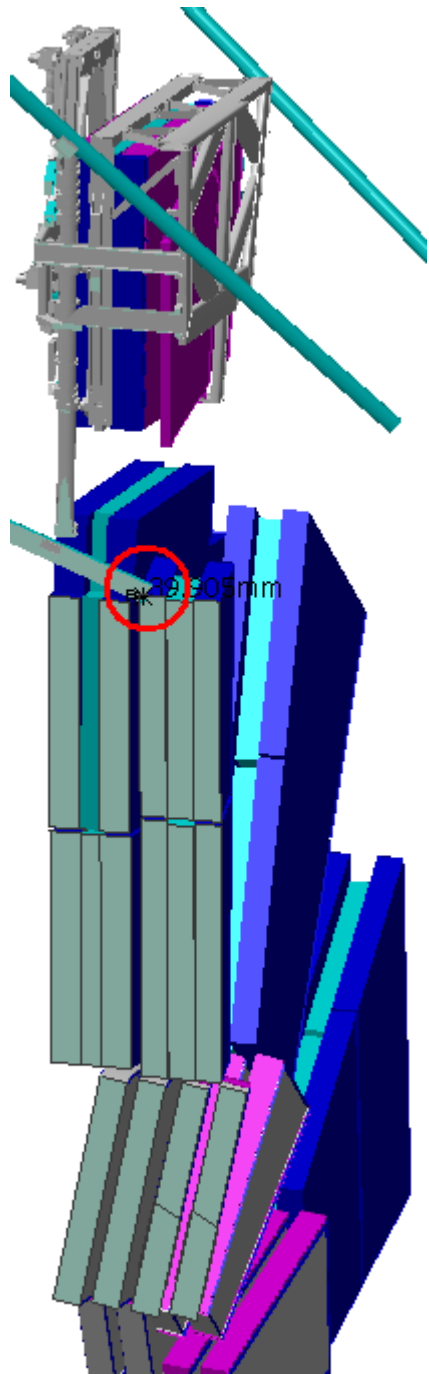
Not inspected



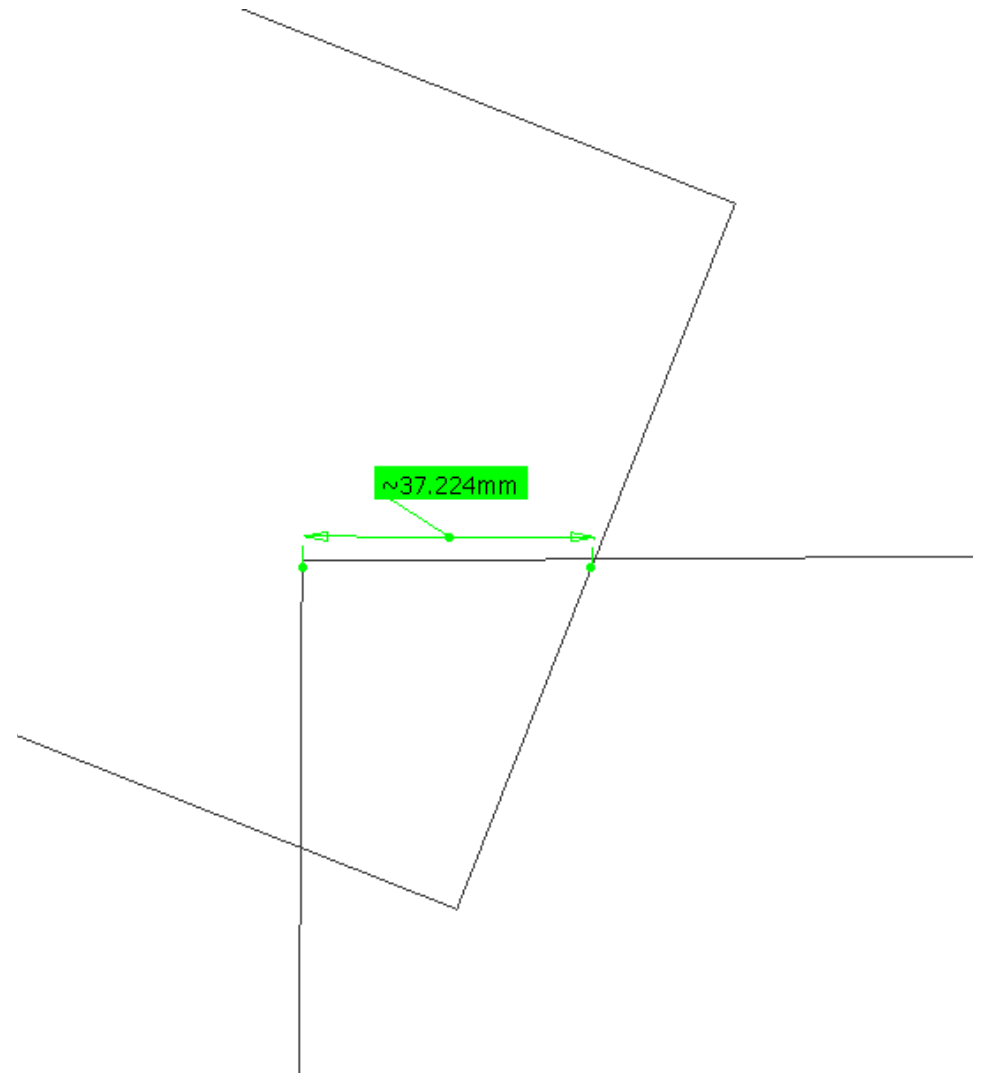
Clash value: ~ 39.9 mm

SIDE A

Sector 11



Clash View:



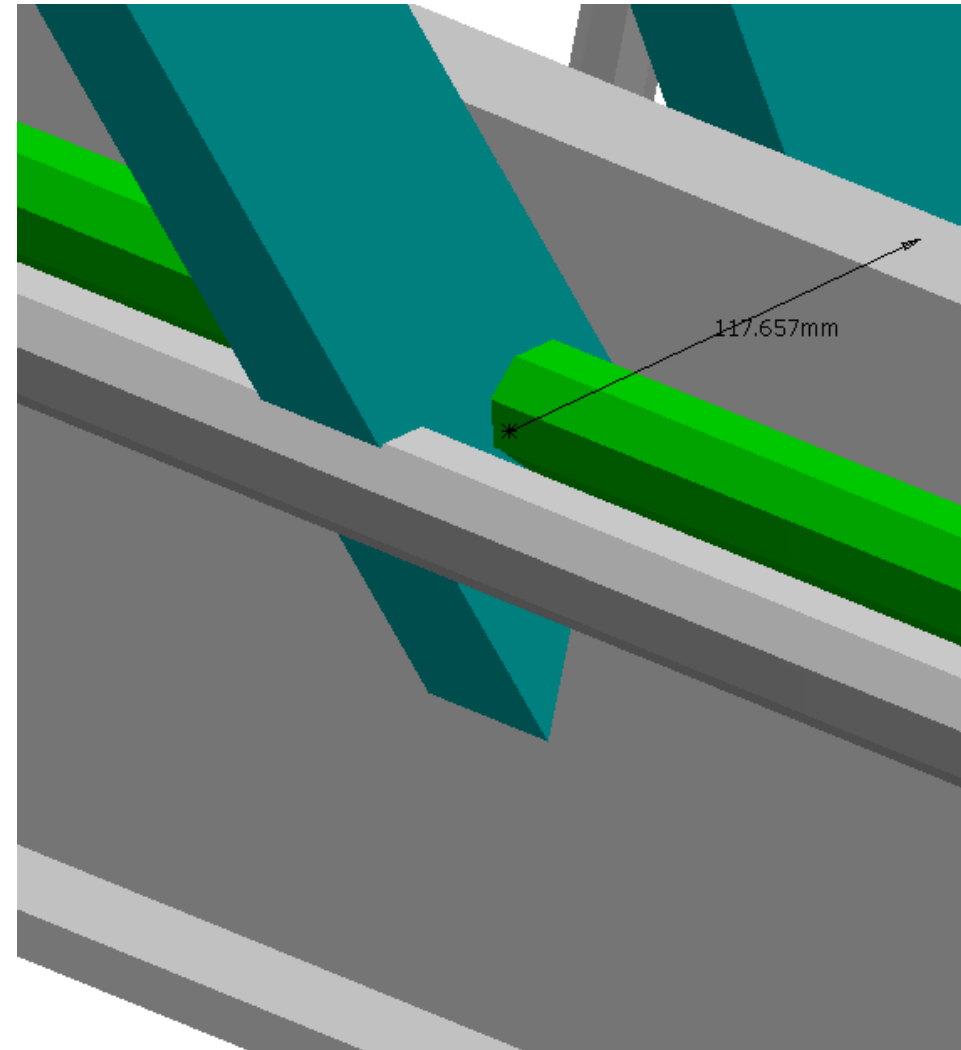
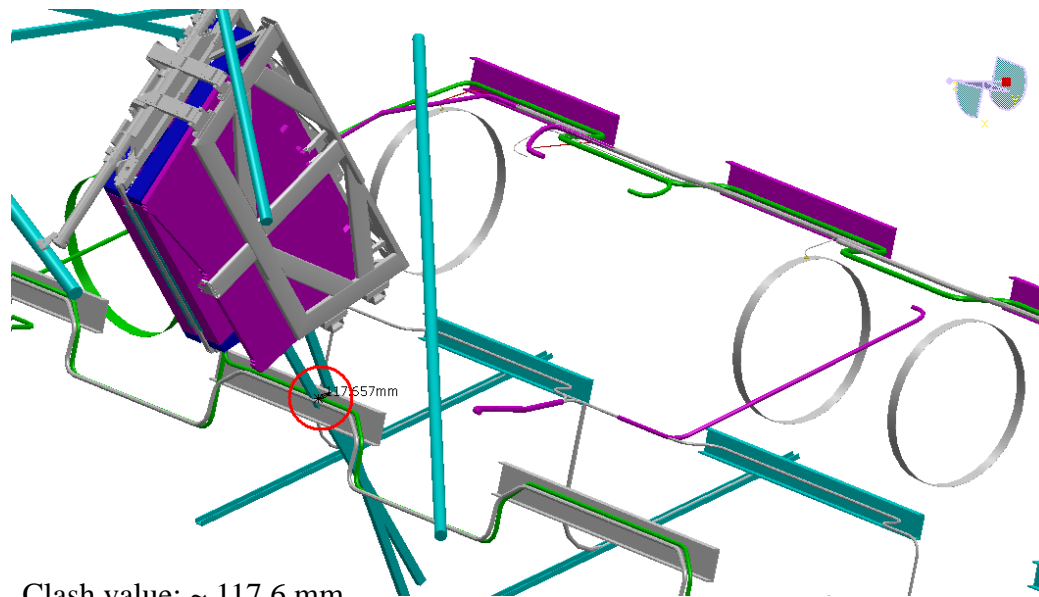
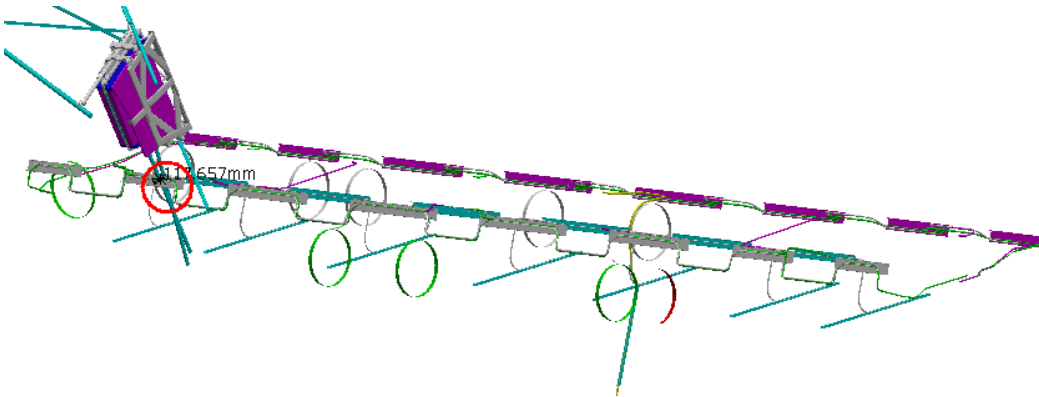
AT632808MQ - ALIGNMENT BAR
EIL4, SIDE A, SECTOR 11

NSM_0016 - BT HEATER CABLE DISTRIBUTION -
FOR FOOT REGION

Clash

-117.6 mm

Not inspected

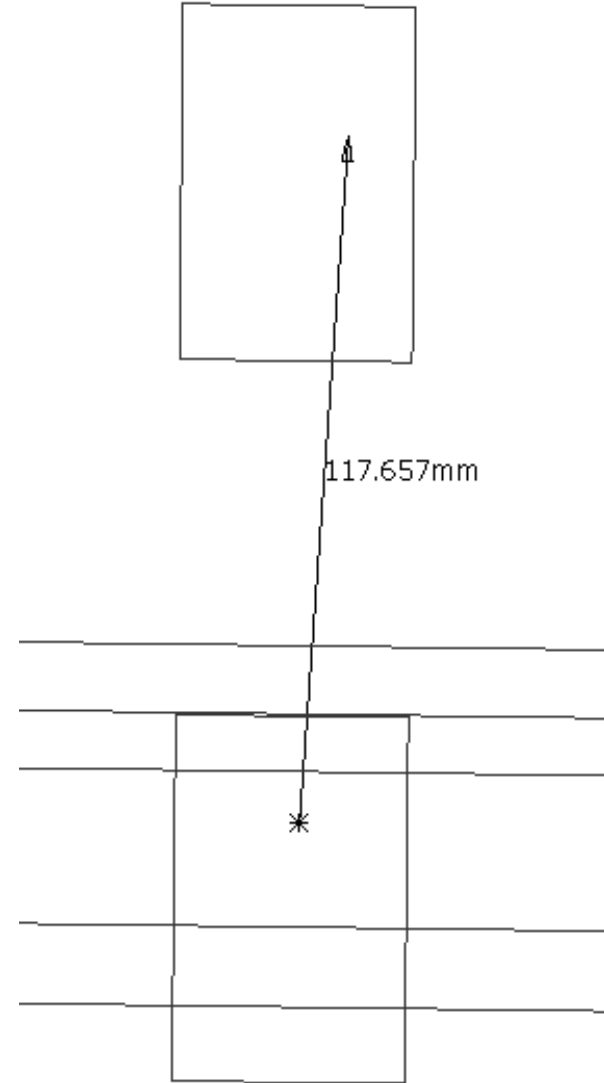
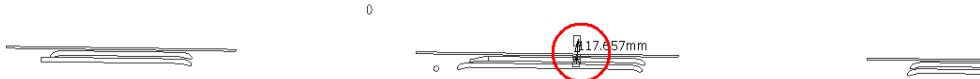
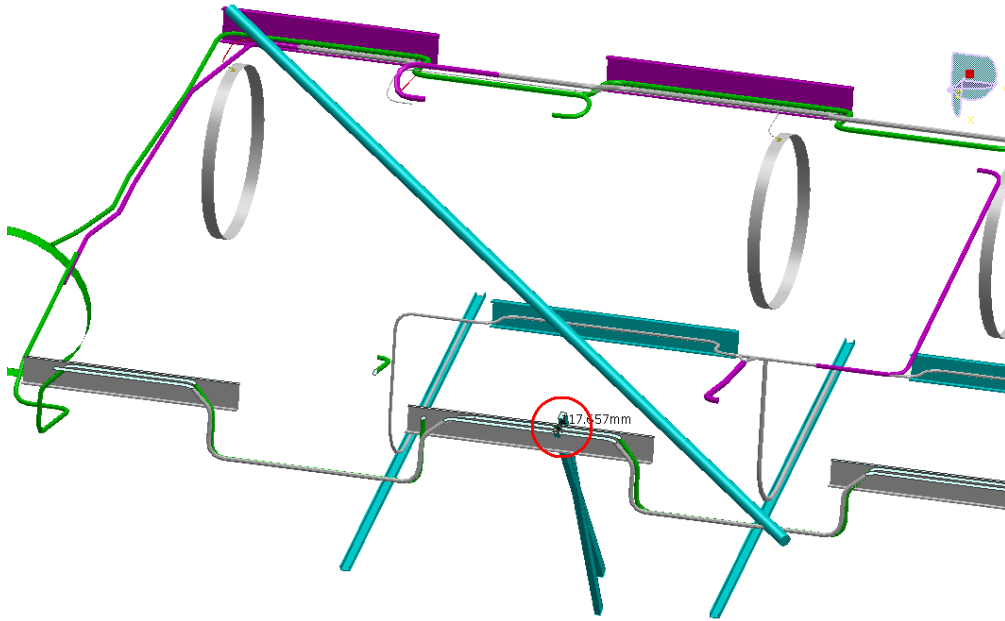


Clash value: ~ 117.6 mm

SIDE A

Sector 11

Clash View:



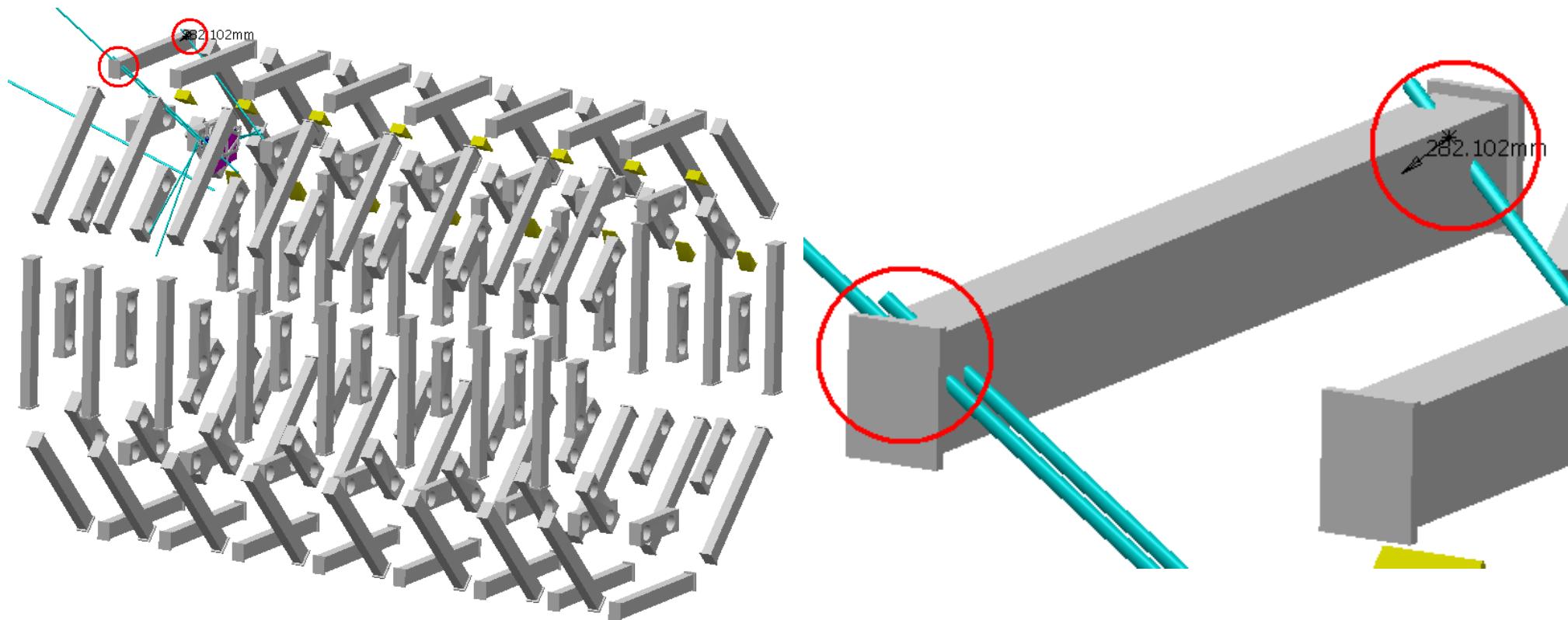
AT632808MQ - ALIGNMENT BAR
EIL4, SIDE A, SECTOR 11

NTB_0003 - TB WARM STRUCTURE -
SIMPLIFIED 3-D OBJECT

Clash

-282.1 mm

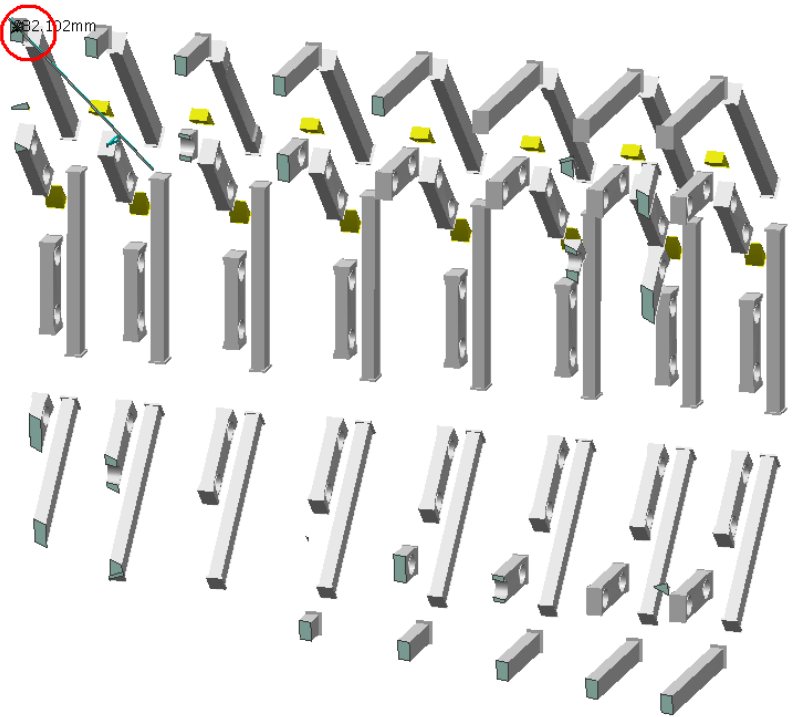
Not inspected



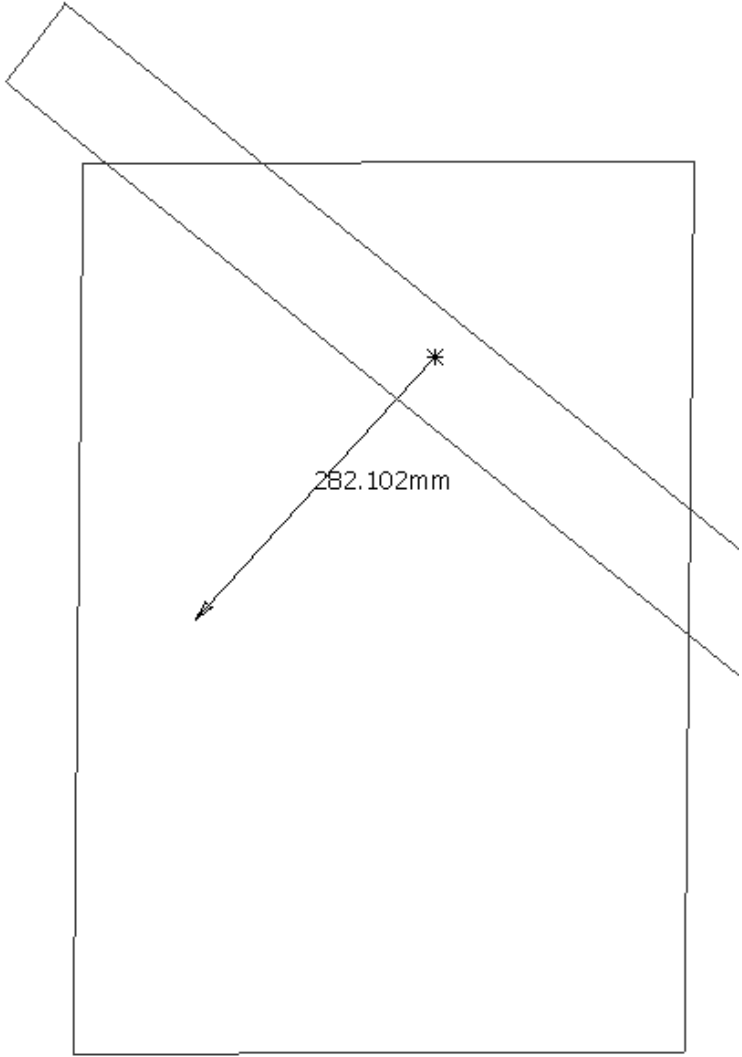
Clash value: ~ 282.1 mm

SIDE A

Sector 11



Clash View:



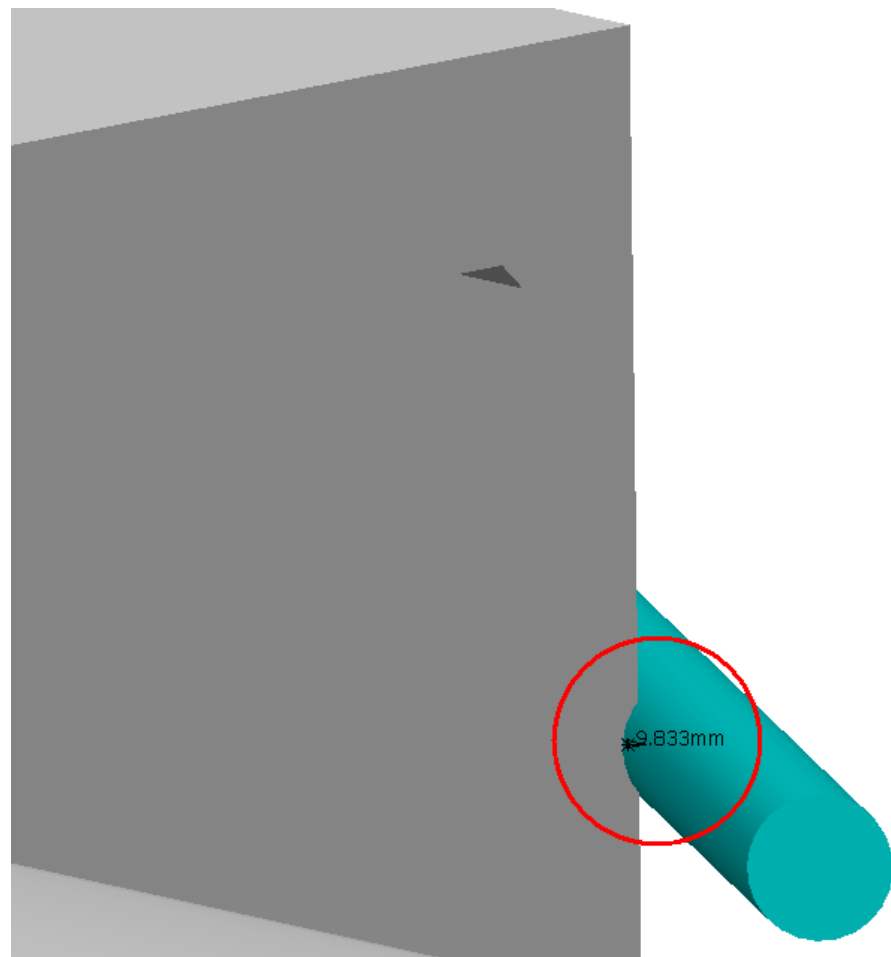
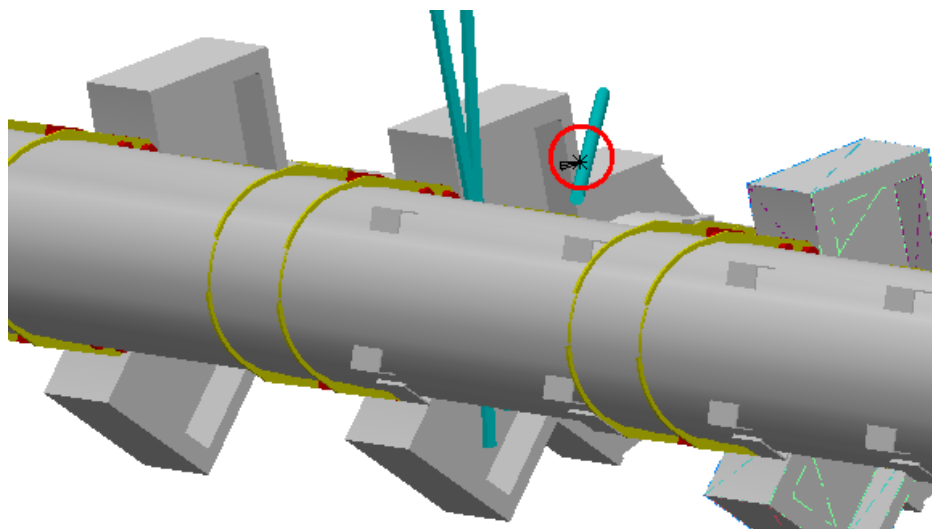
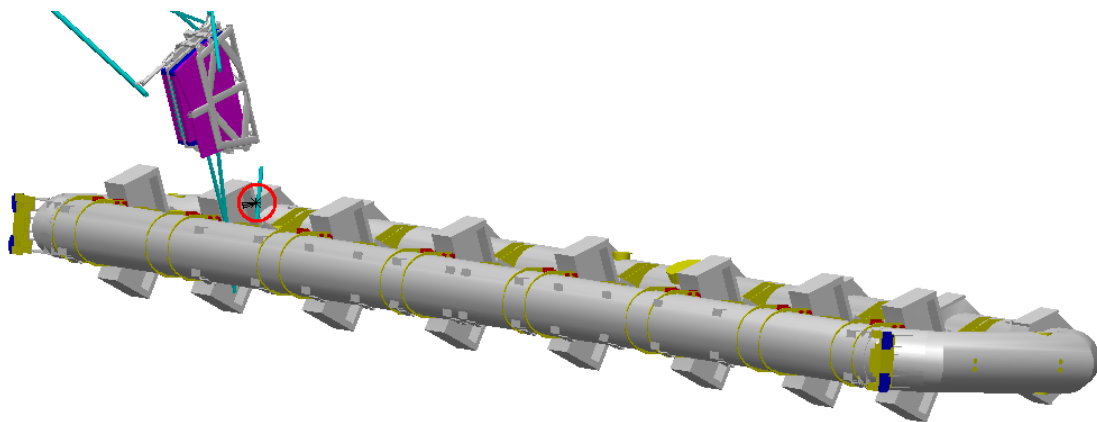
AT632808MQ - ALIGNMENT BAR
EIL4, SIDE A, SECTOR 11

NTB_0002 - TB FEET COIL - SECTOR 12

Clash

-9.8 mm

Not inspected

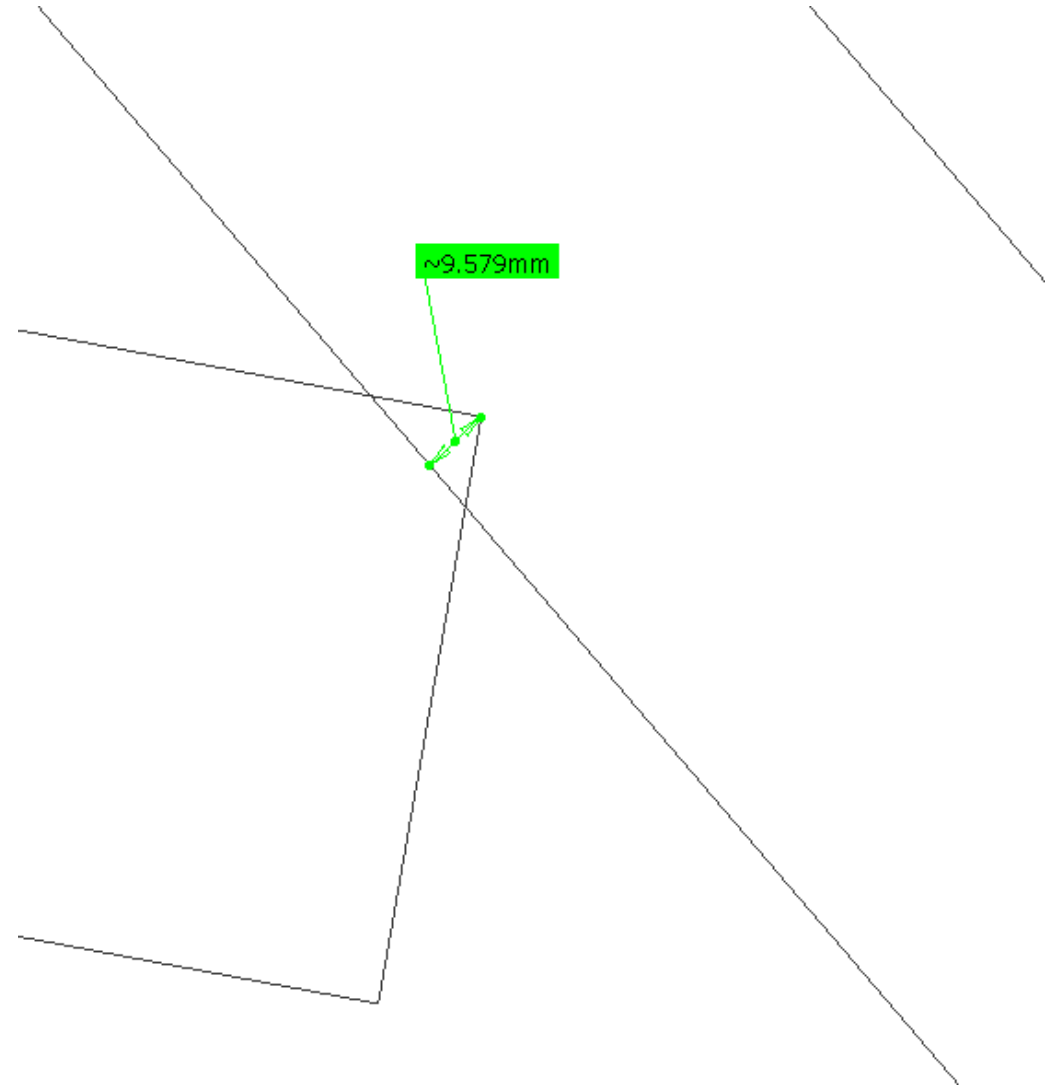
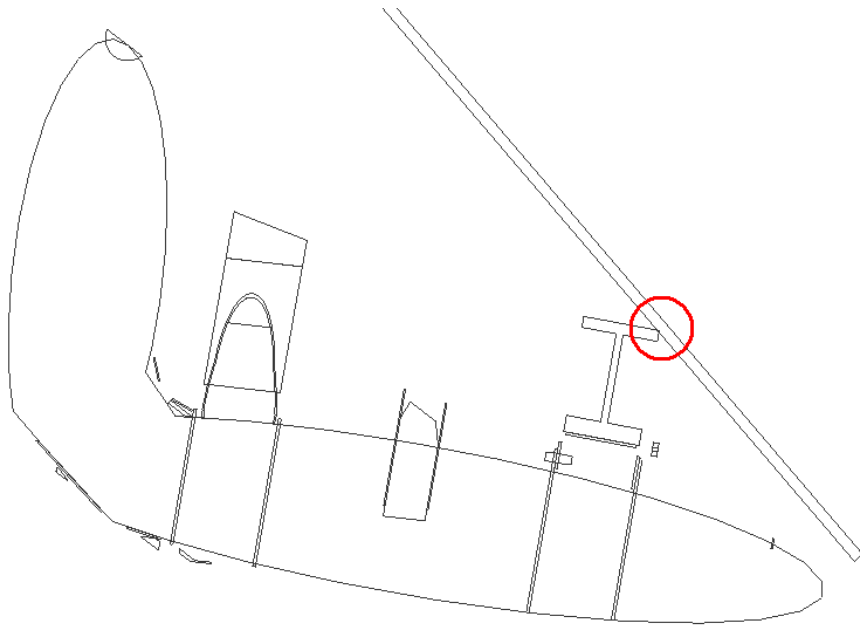
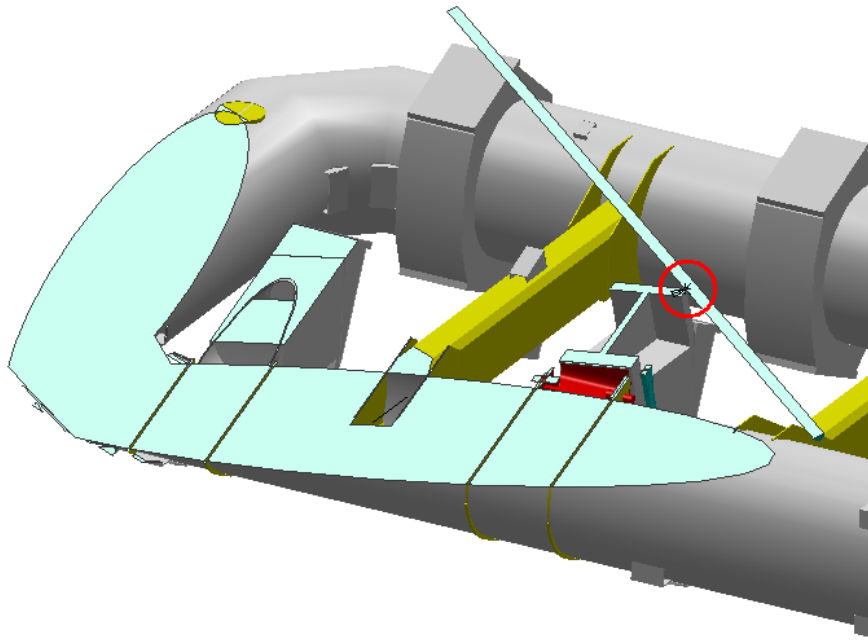


Clash value: ~ 9.8 mm

SIDE A

Sector 12

Clash View:



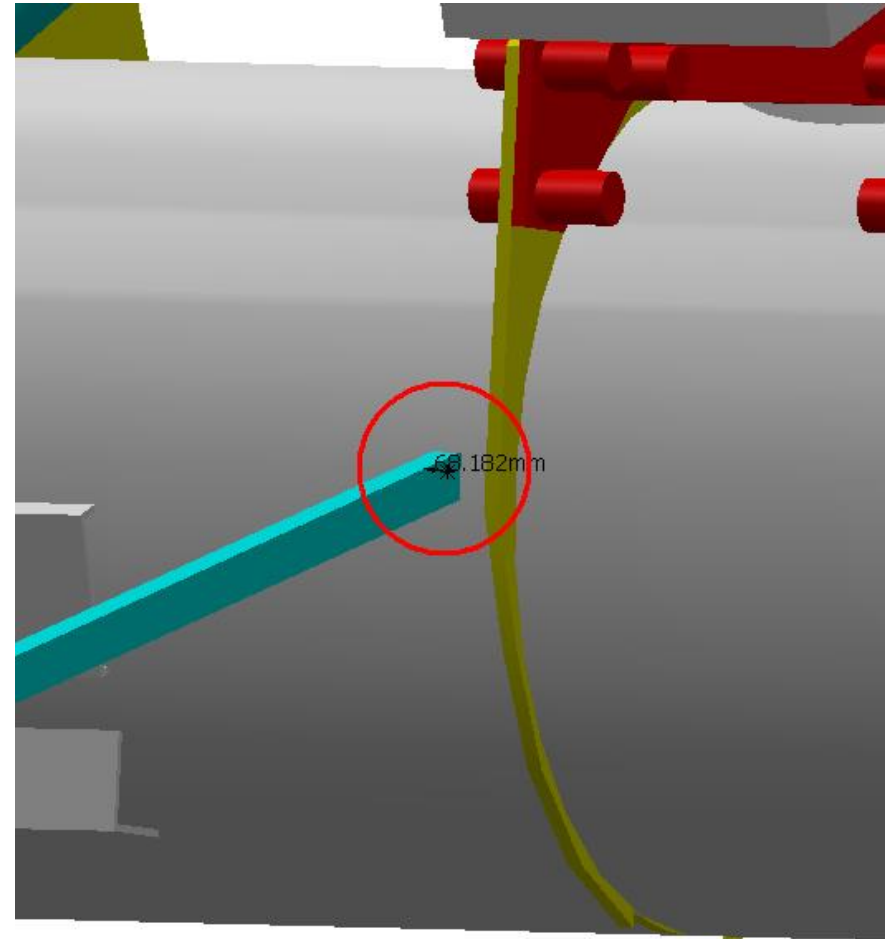
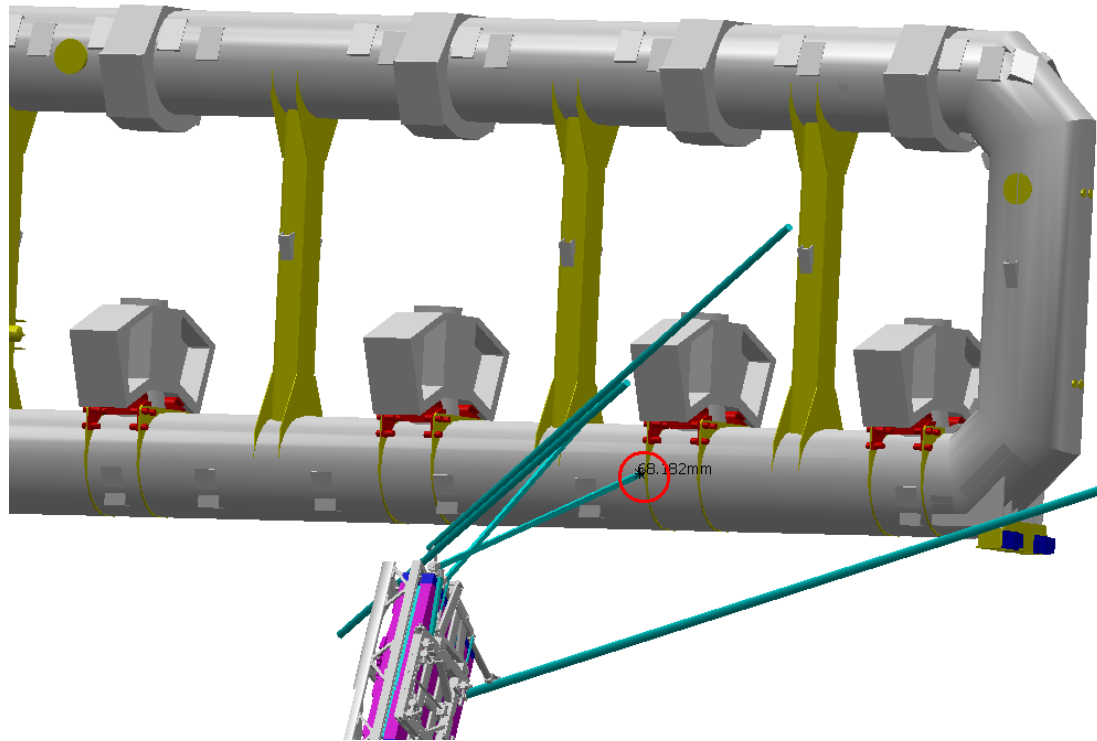
AT632808MQ - ALIGNMENT
BAR EIL4, SIDE A, SECTOR 11

NTB_0001 BT8 - TB STANDARD COIL - SECTOR 8

Clash

-68.2 mm

Not inspected

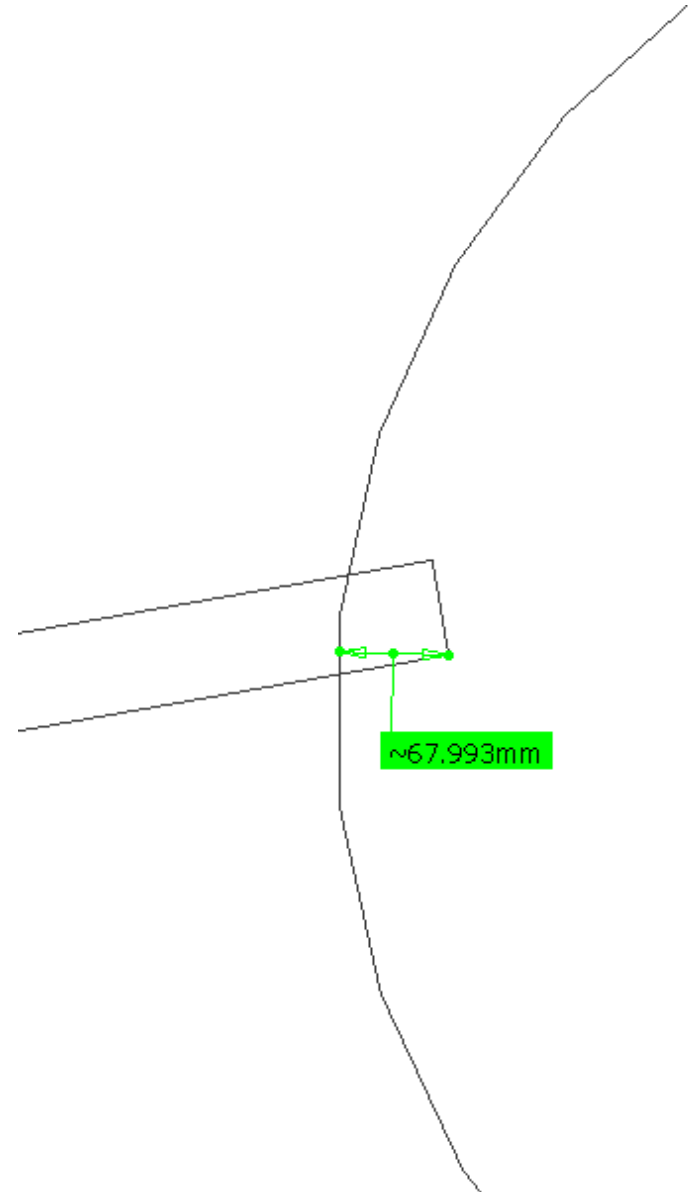
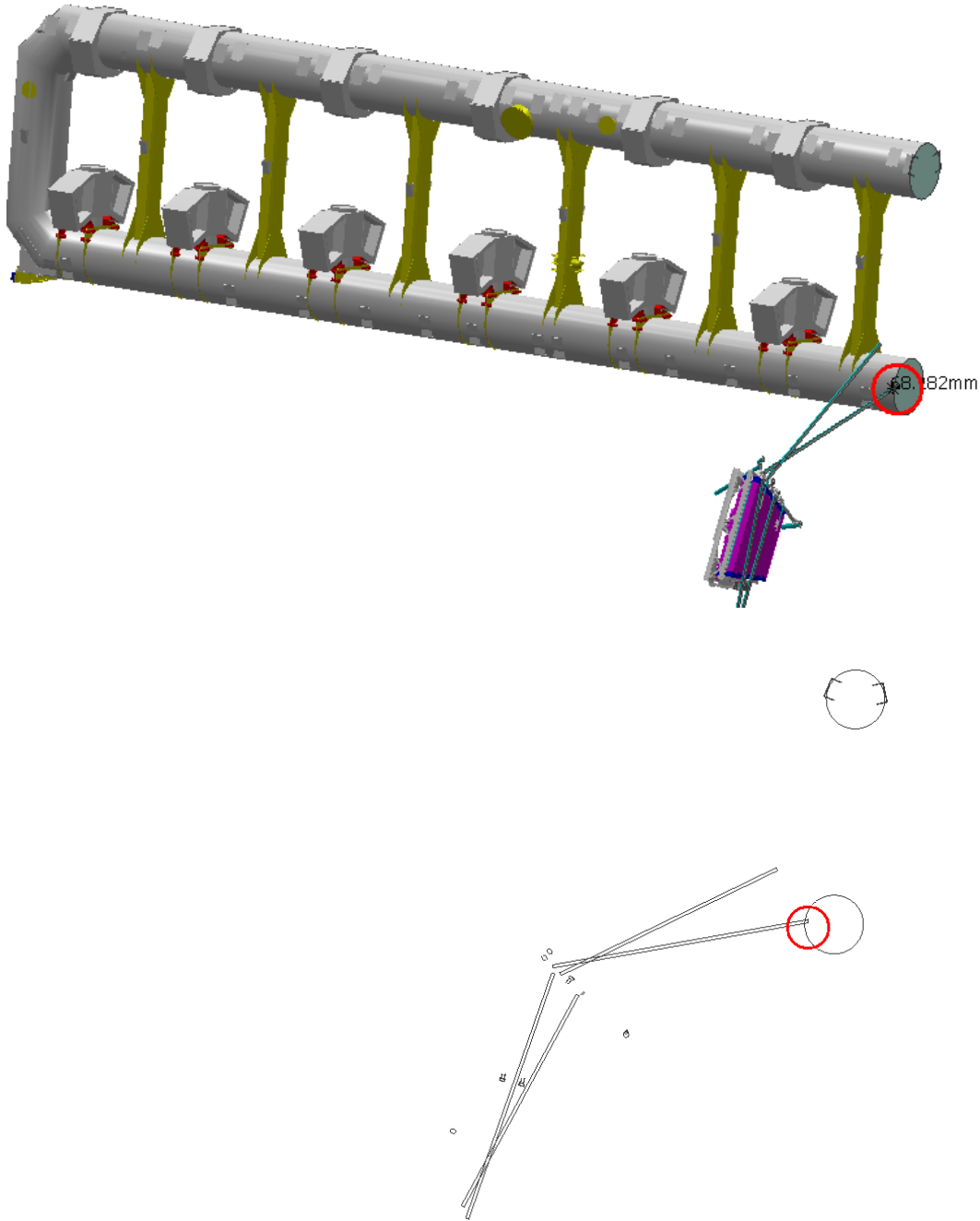


Clash value: ~ 68.2 mm

SIDE A

Sector 8

Clash View:



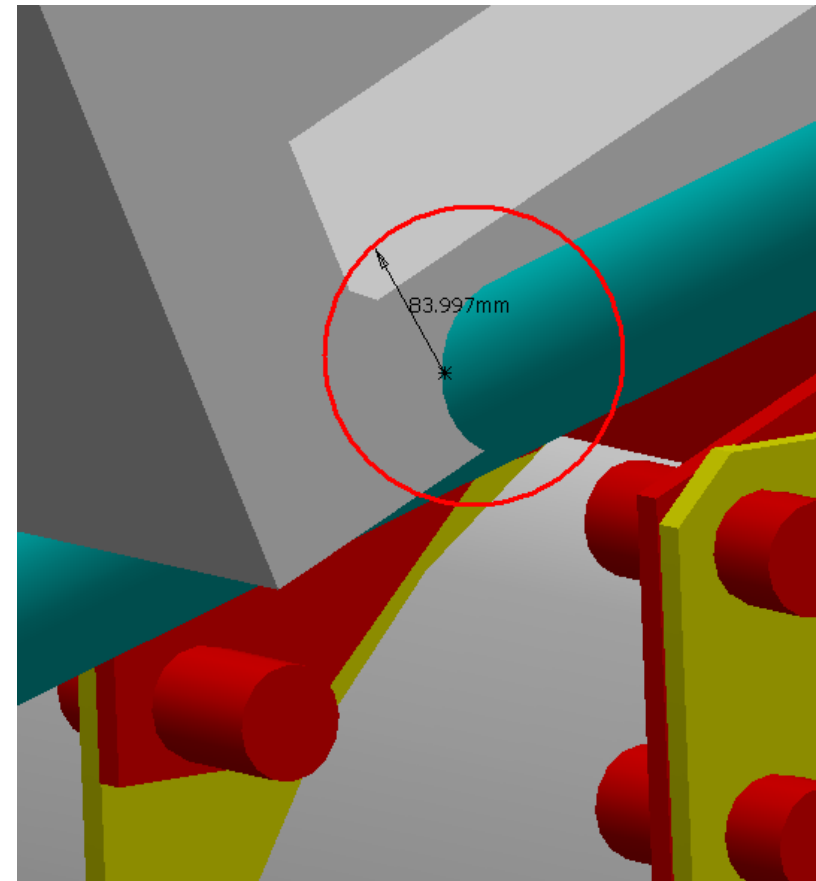
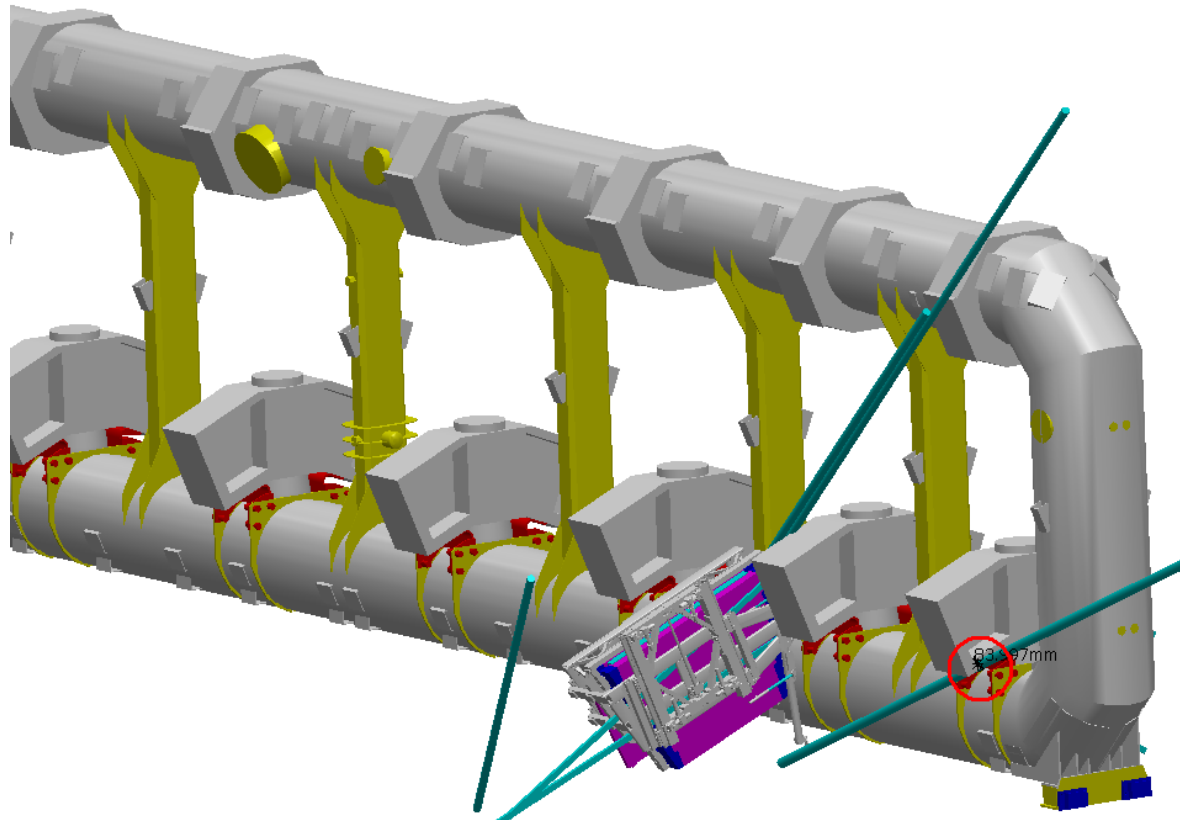
AT632808MQ - ALIGNMENT BAR
EIL4, SIDE A, SECTOR 11

NTB_0001 BT10 - TB STANDARD COIL - SECTOR 10

Clash

-84 mm

Not inspected



Clash value: ~ 84 mm

SIDE A

Sector 10

Clash View:

