



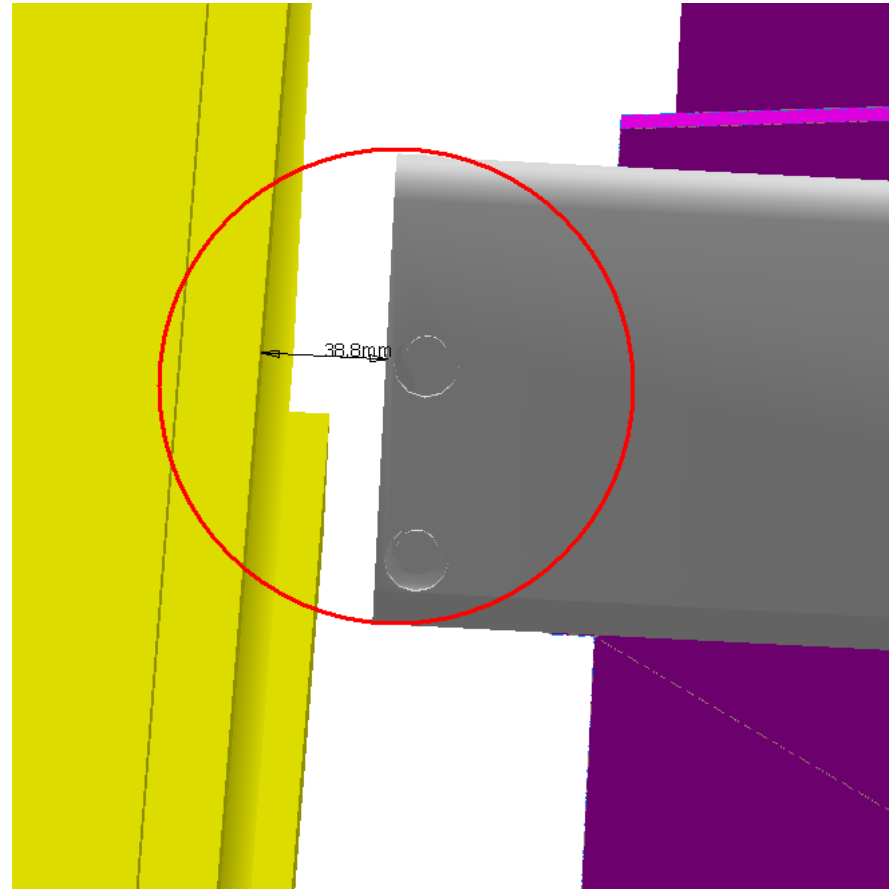
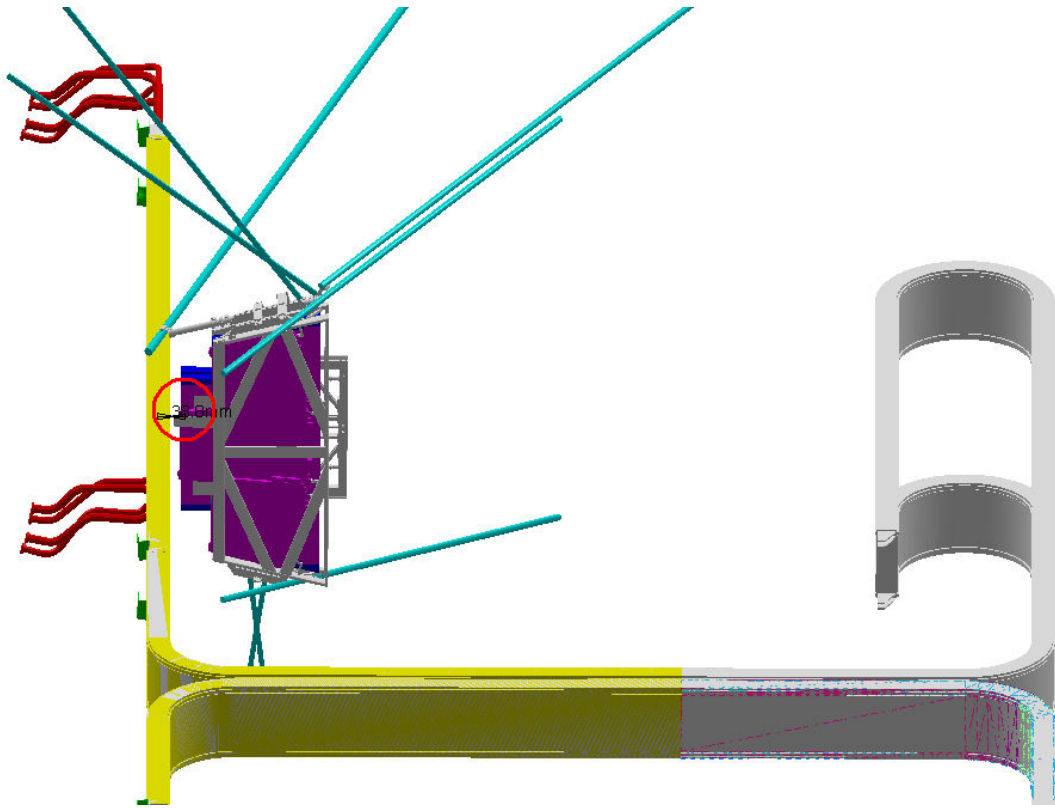
# Clearance Publish

Clearance = 50mm

Clearance Computation Specification			
Products Selected		Value	Status
<b>AT632807MQ</b> - ALIGNMENT BAR EIL4, SIDE A, SECTOR 9	<b>NSE_0002</b> - FLEXIBLE CHAINS IN SECTOR 9 FOR - LAR END-CAP CALORIMETER	38.8 mm	Not inspected
	<b>Z5_0002</b> - Z5 GLOBAL ENVELOPE (SIDE A) - AND LOCATION INTERFACES	23 mm	Not inspected

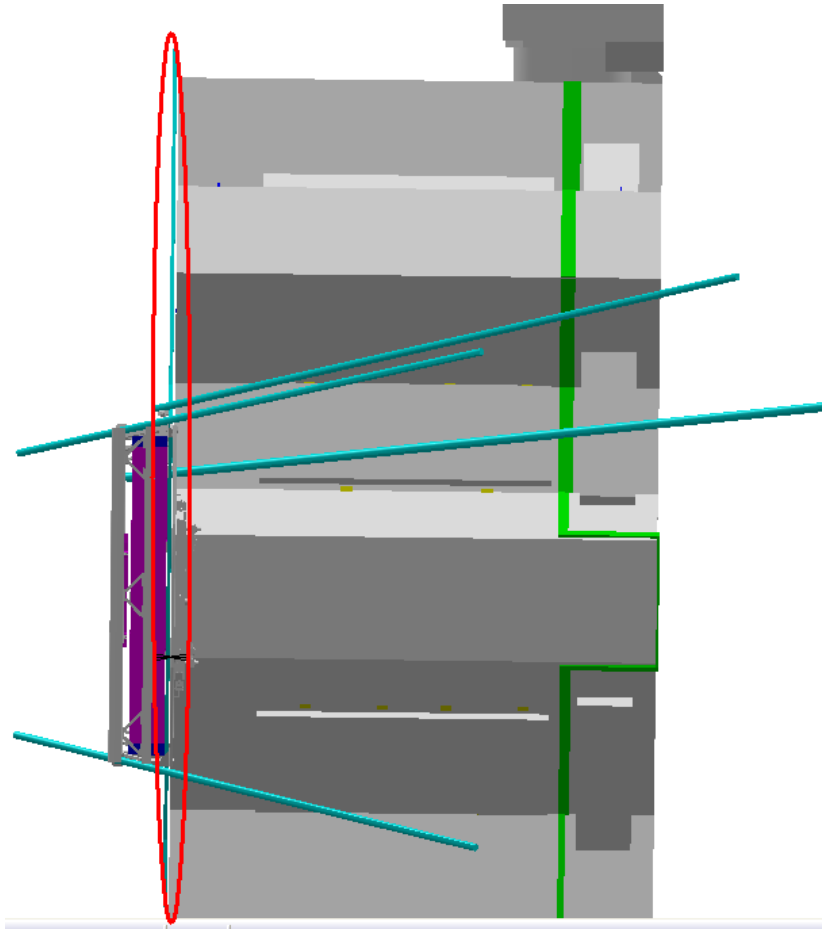
**Computation Result:**

AT632807MQ - ALIGNMENT BAR EIL4, SIDE A, SECTOR 9	NSE_0002 - FLEXIBLE CHAINS IN SECTOR 9 FOR - LAR END-CAP CALORIMETER	Clearance	38.8 mm			Not inspected
			$\Delta X \approx 38.8$	$\Delta Y \approx 0$	$\Delta Z \approx 0$	



SIDE A  
Sector 9

<b>AT632807MQ</b> - ALIGNMENT BAR EIL4, SIDE A, SECTOR 9	<b>Z5_0002</b> - Z5 GLOBAL ENVELOPE (SIDE A) - AND LOCATION INTERFACES	Clearance	23 mm			Not inspected
			$\Delta X \approx 0$	$\Delta Y \approx -23$	$\Delta Z \approx 0$	



SIDE A  
Sector 9

