

# Clash Publish



Clash Computation Specification			
Products Selected		Value	Status
AT632807MQ - ALIGNMENT BAR EIL4, SIDE A, SECTOR 9	NMC_0017 - MEI, CSC CHAMBERS - SIMPLIFIED 3-D OBJECT	-39.7 mm	Not inspected
	NTB_0003 - TB WARM STRUCTURE - SIMPLIFIED 3-D OBJECT	-319.2 mm	Not inspected
	NTB_0001 BT8 - TB STANDARD COIL - SECTOR 8	-83.9 mm	Not inspected
	NTB_0001 BT10 - TB STANDARD COIL - SECTOR 10	-9.6 mm	Not inspected

## Computation Result:

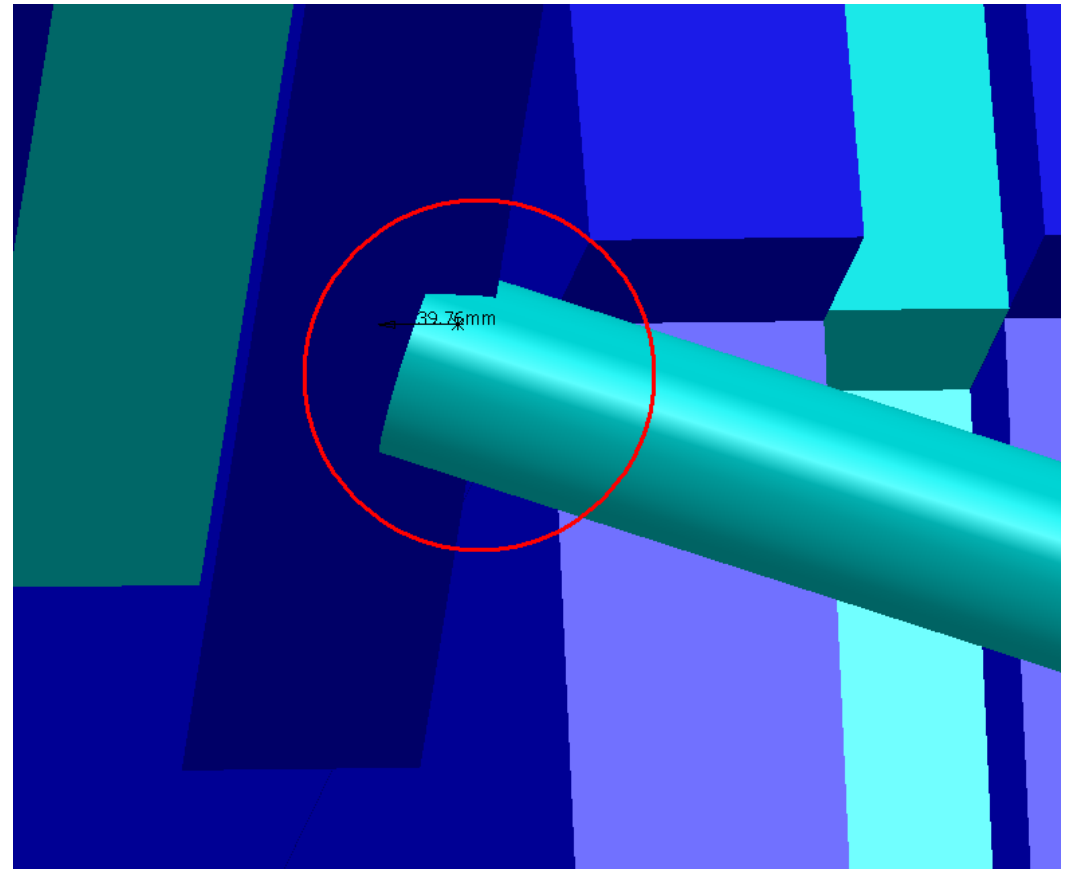
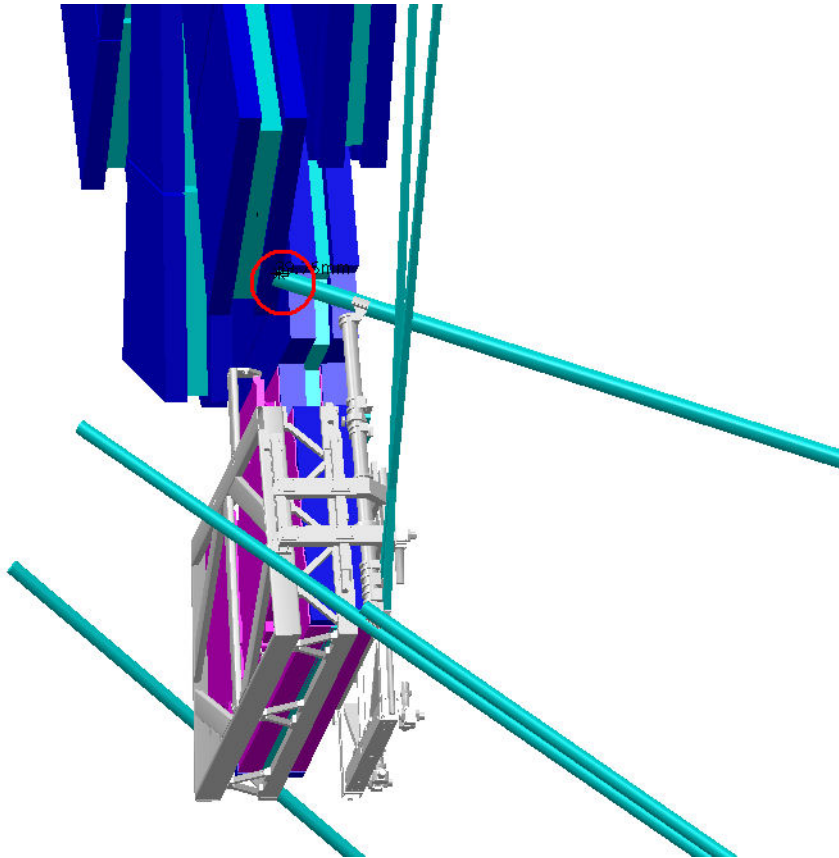
AT632807MQ - ALIGNMENT BAR  
EIL4, SIDE A, SECTOR 9

NMC\_0017 - MEI, CSC CHAMBERS - SIMPLIFIED 3-D  
OBJECT

Clash

-39.7 mm

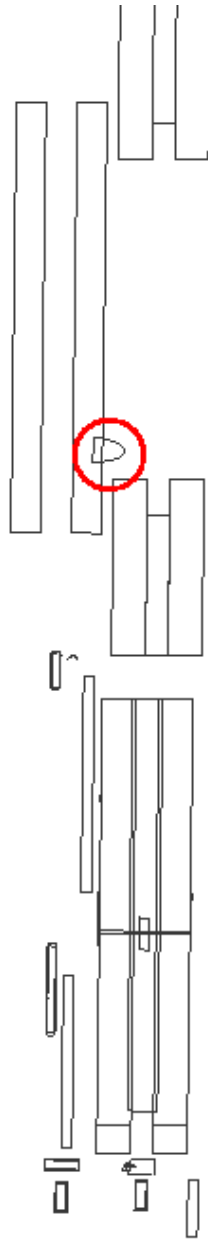
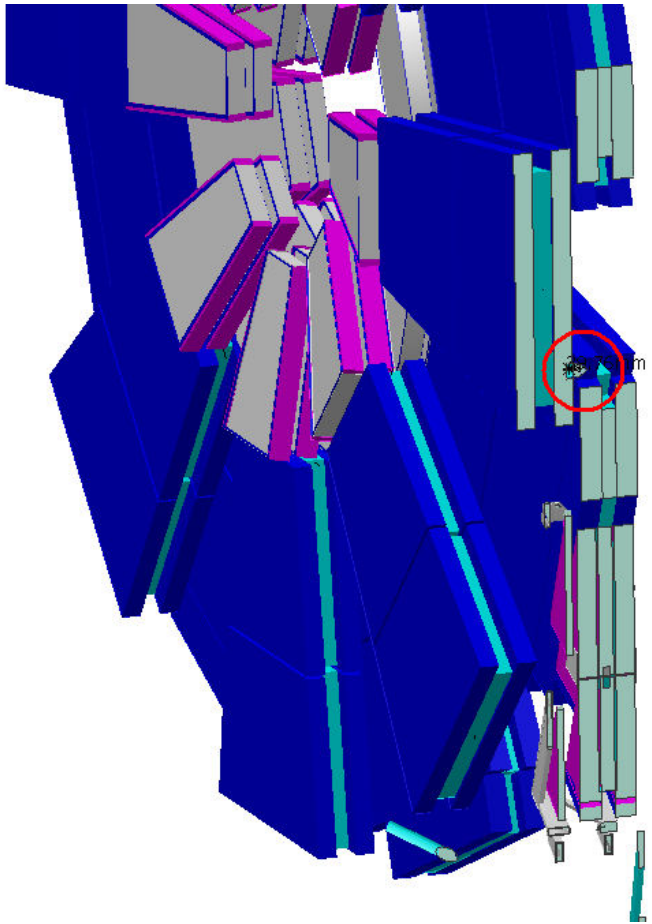
Not inspected



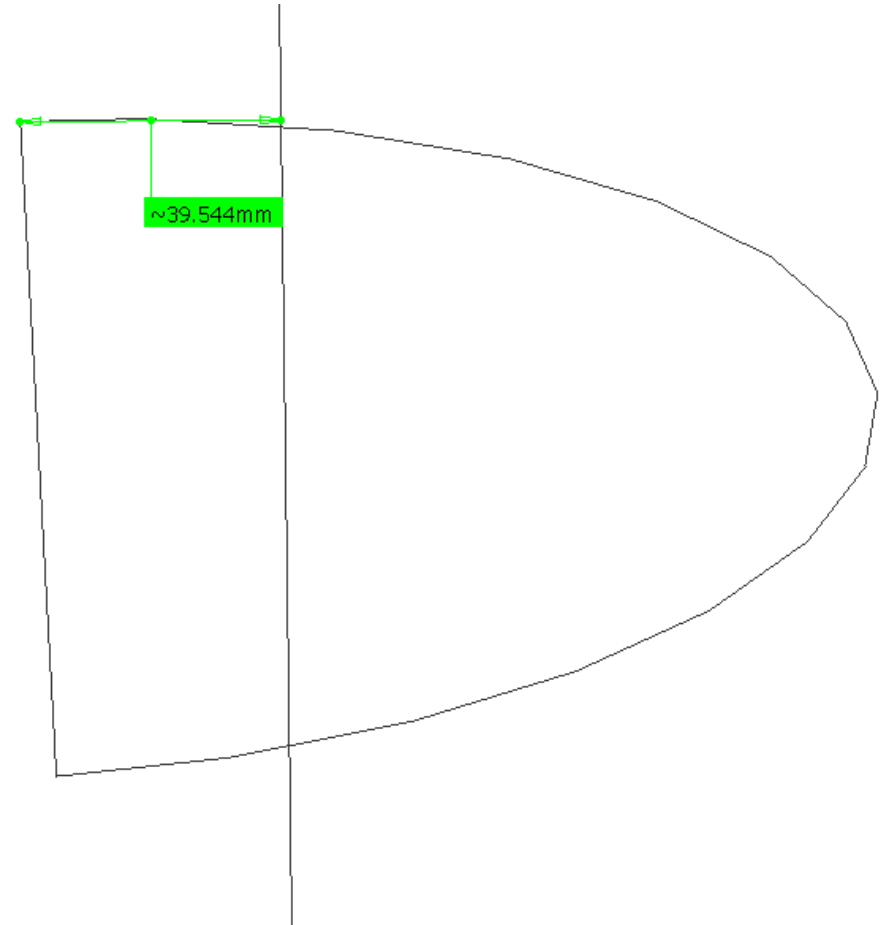
Clash value: ~ 39.7 mm

SIDE A

Sector 9



# Clash View:



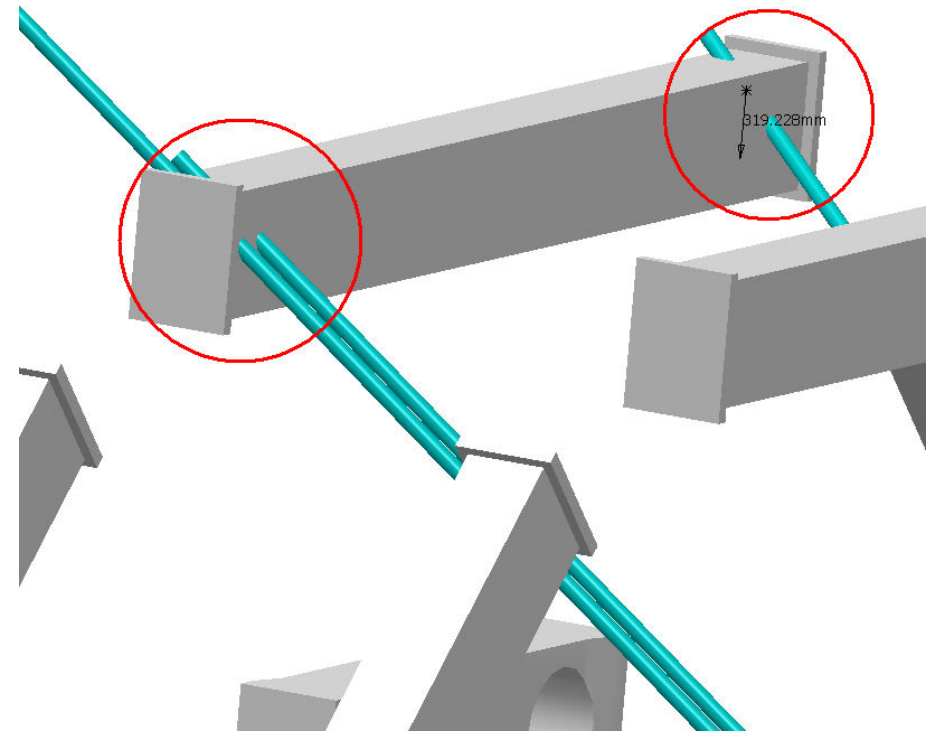
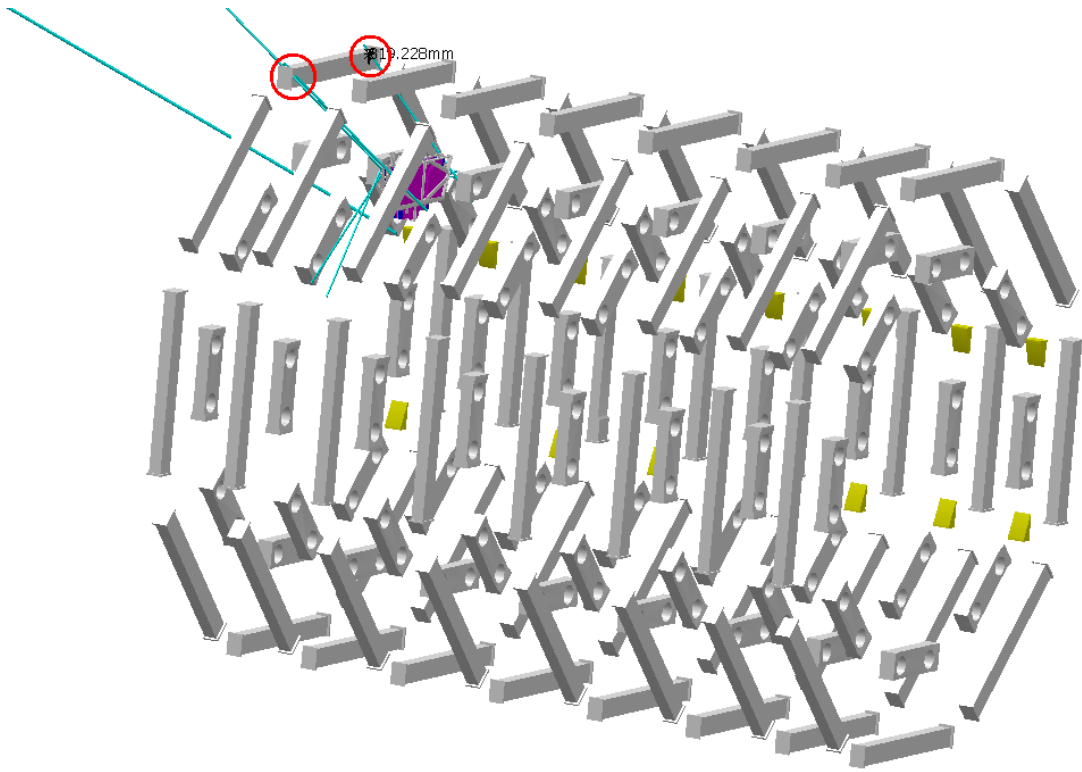
**AT632807MQ** - ALIGNMENT BAR  
EIL4, SIDE A, SECTOR 9

**NTB\_0003** - TB WARM STRUCTURE - SIMPLIFIED  
3-D OBJECT

Clash

-319.2 mm

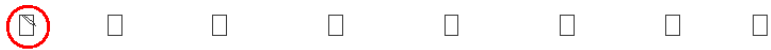
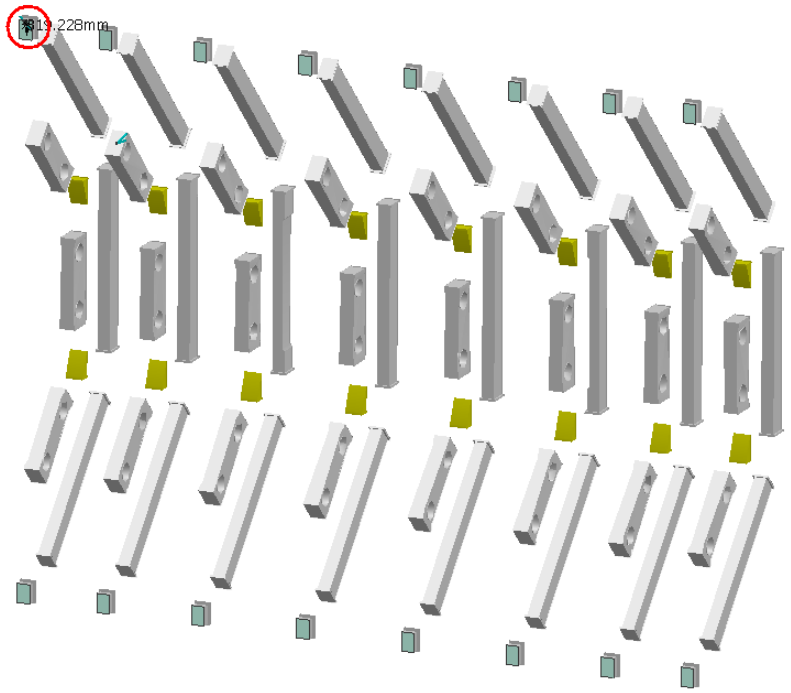
Not inspected



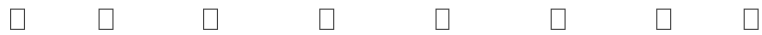
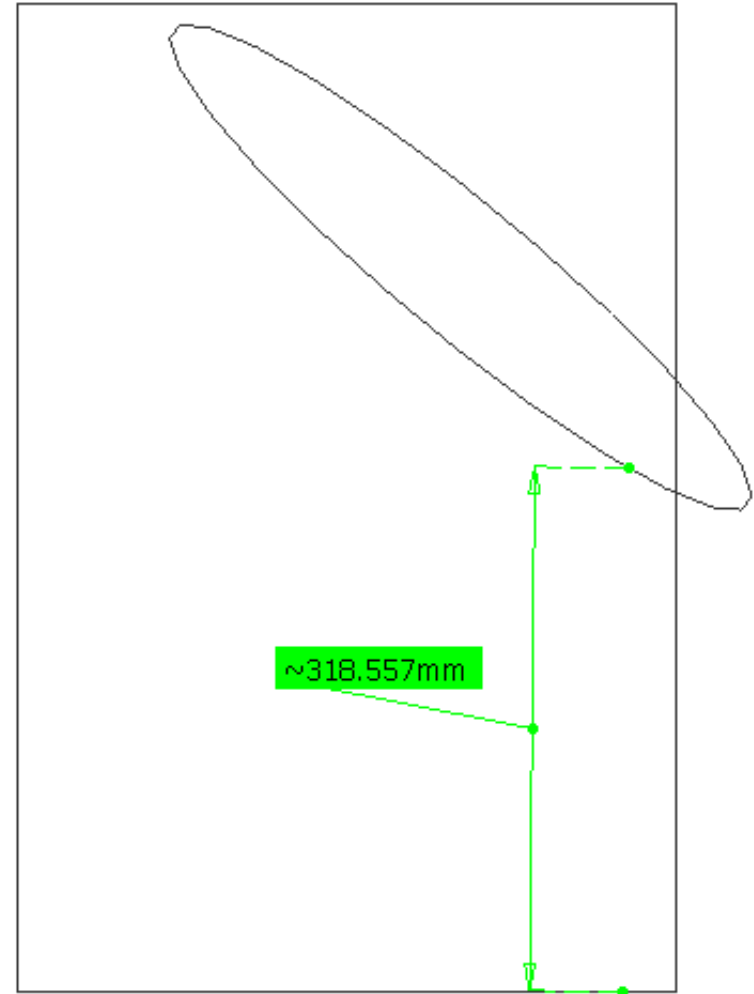
Clash value: ~ -319.2 mm

SIDE A

Sector 9



# Clash View:



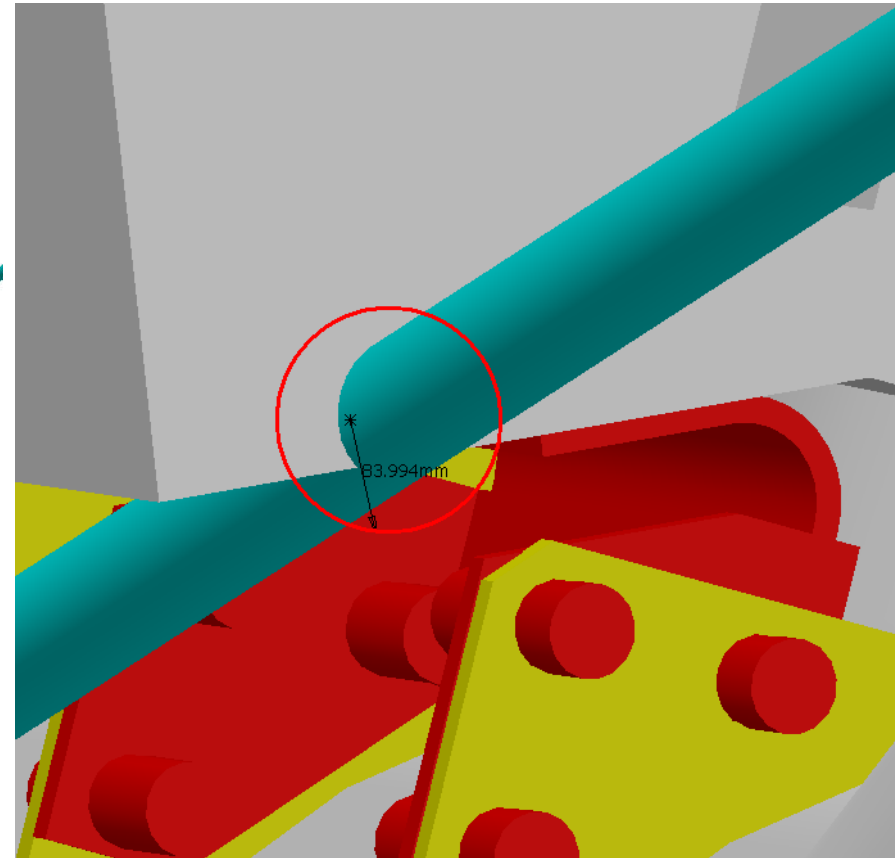
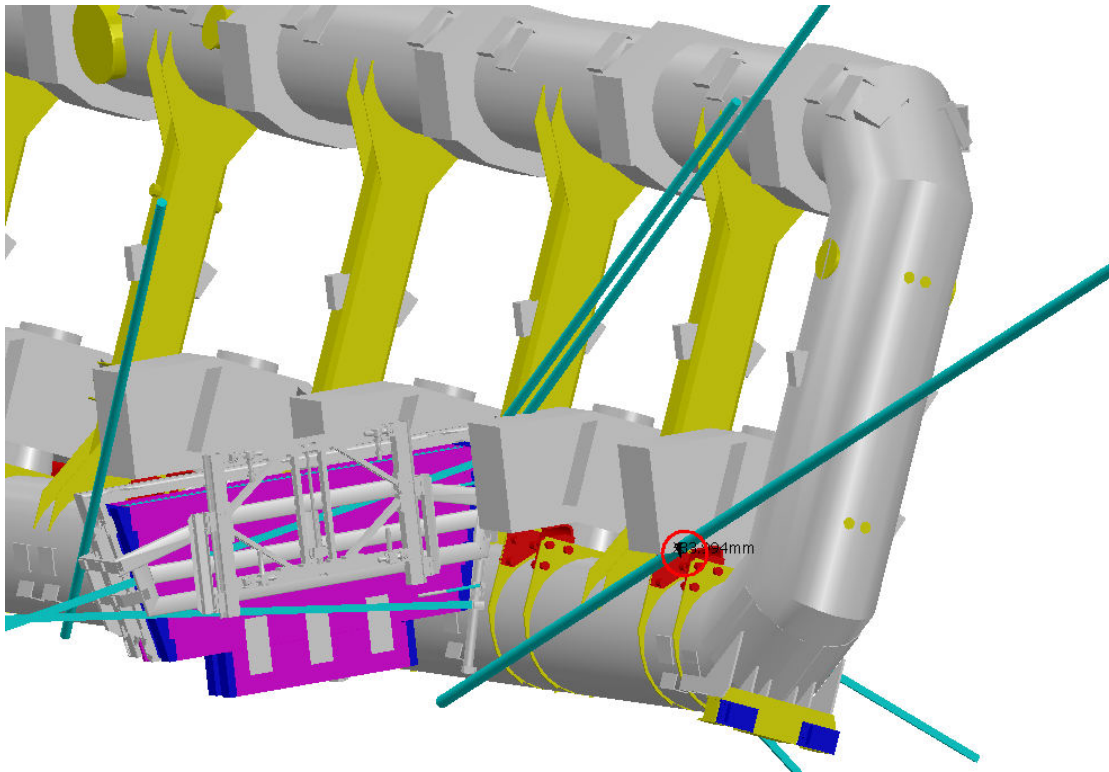
AT632807MQ - ALIGNMENT  
BAR EIL4, SIDE A, SECTOR 9

NTB\_0001 BT8 - TB STANDARD COIL - SECTOR 8

Clash

-83.9 mm

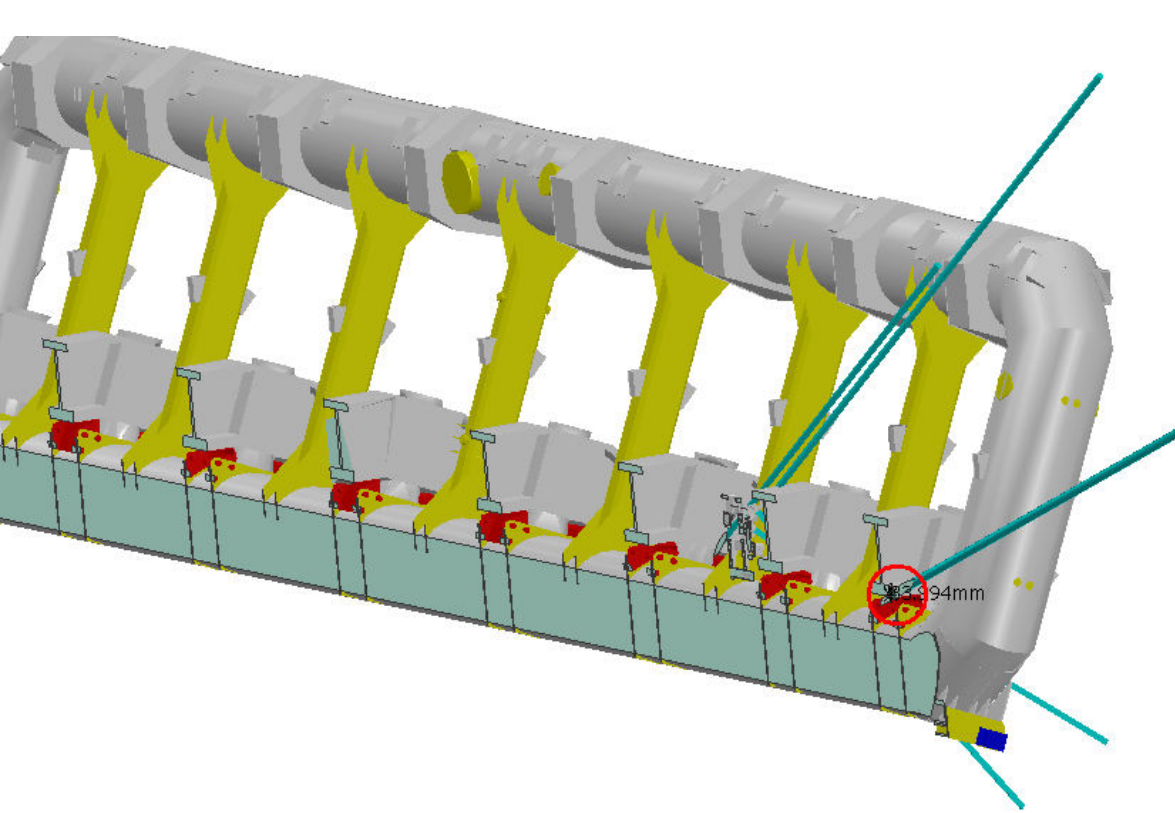
Not inspected



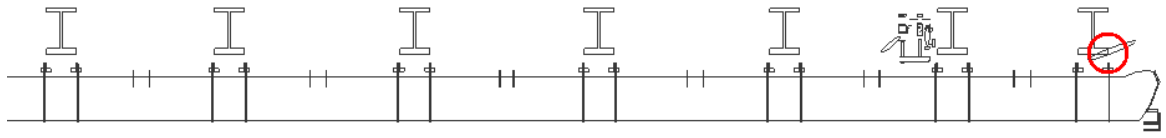
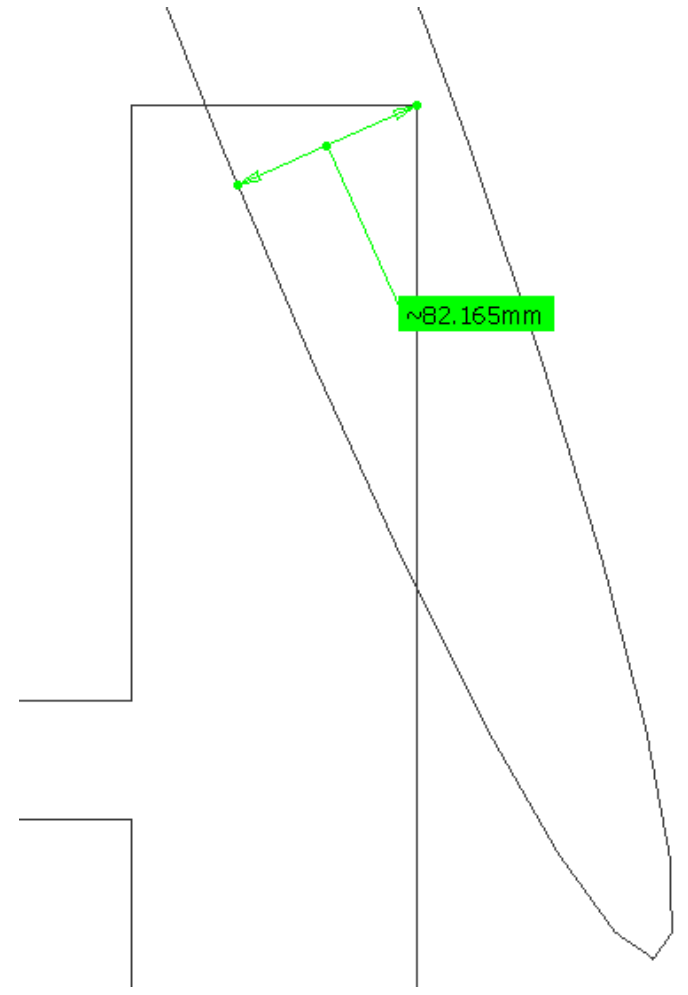
Clash value: ~ -83.9 mm

SIDE A

Sector 9



# Clash View:



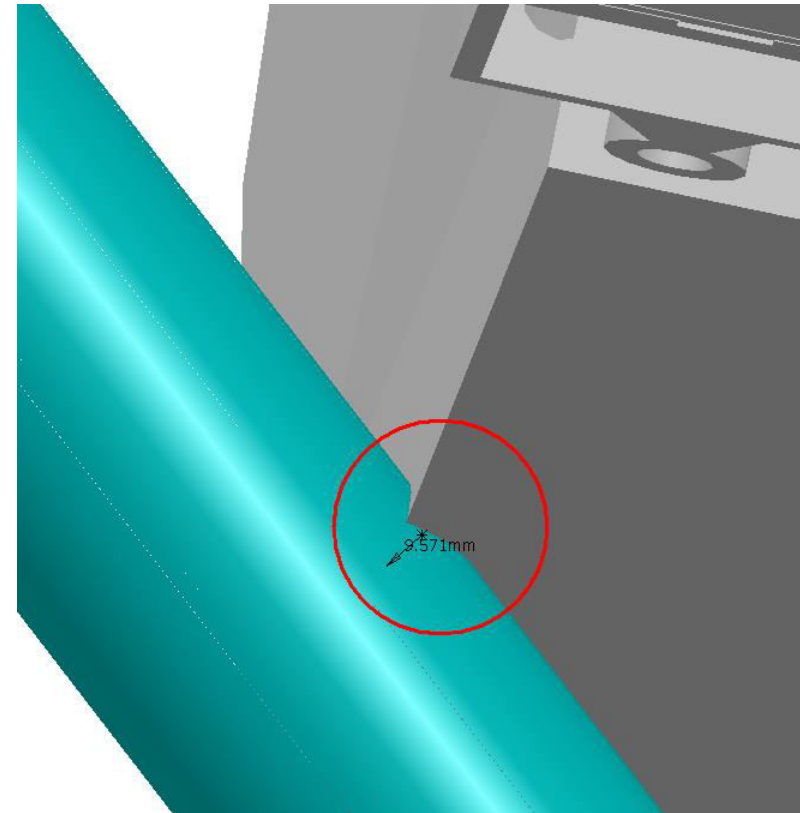
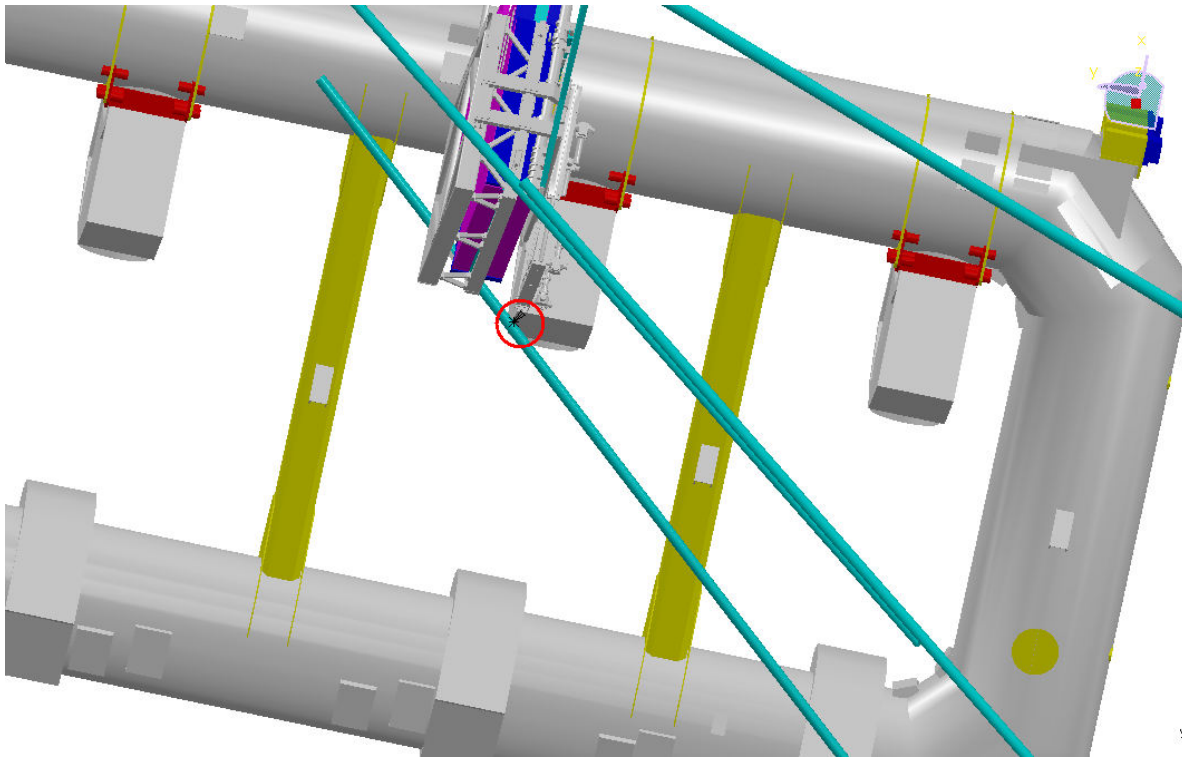
AT632807MQ - ALIGNMENT  
BAR EIL4, SIDE A, SECTOR 9

NTB\_0001 BT10 - TB STANDARD COIL - SECTOR 10

Clash

-9.6 mm

Not inspected

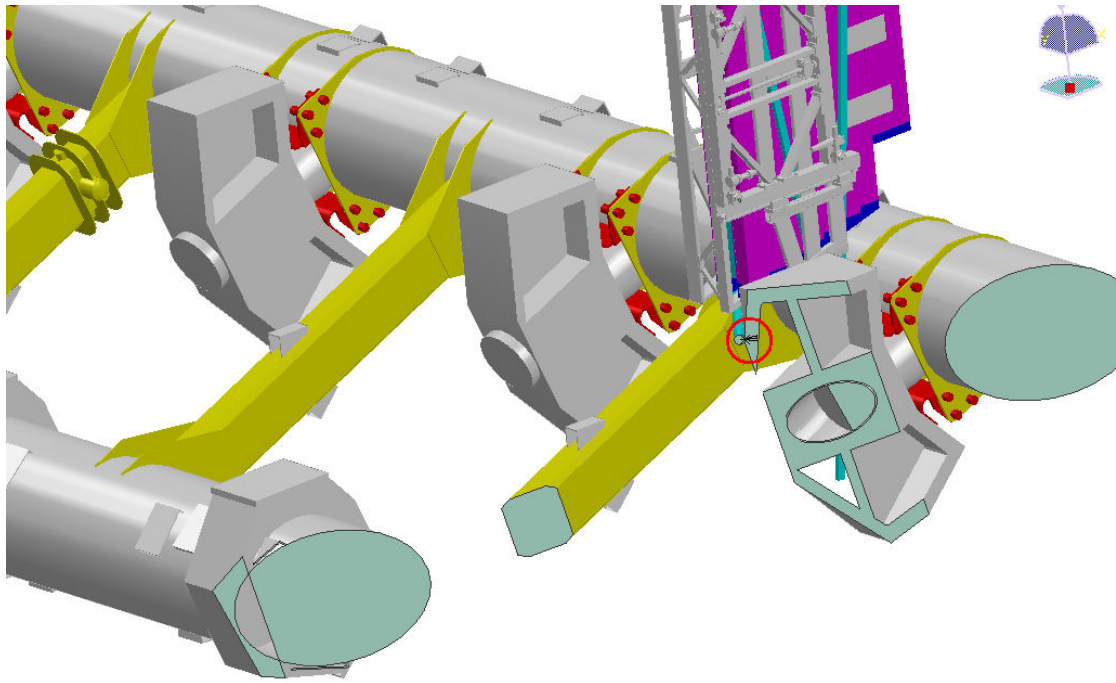


Clash value: ~ -9.6 mm

SIDE A

Sector 9





# Clash View:

