



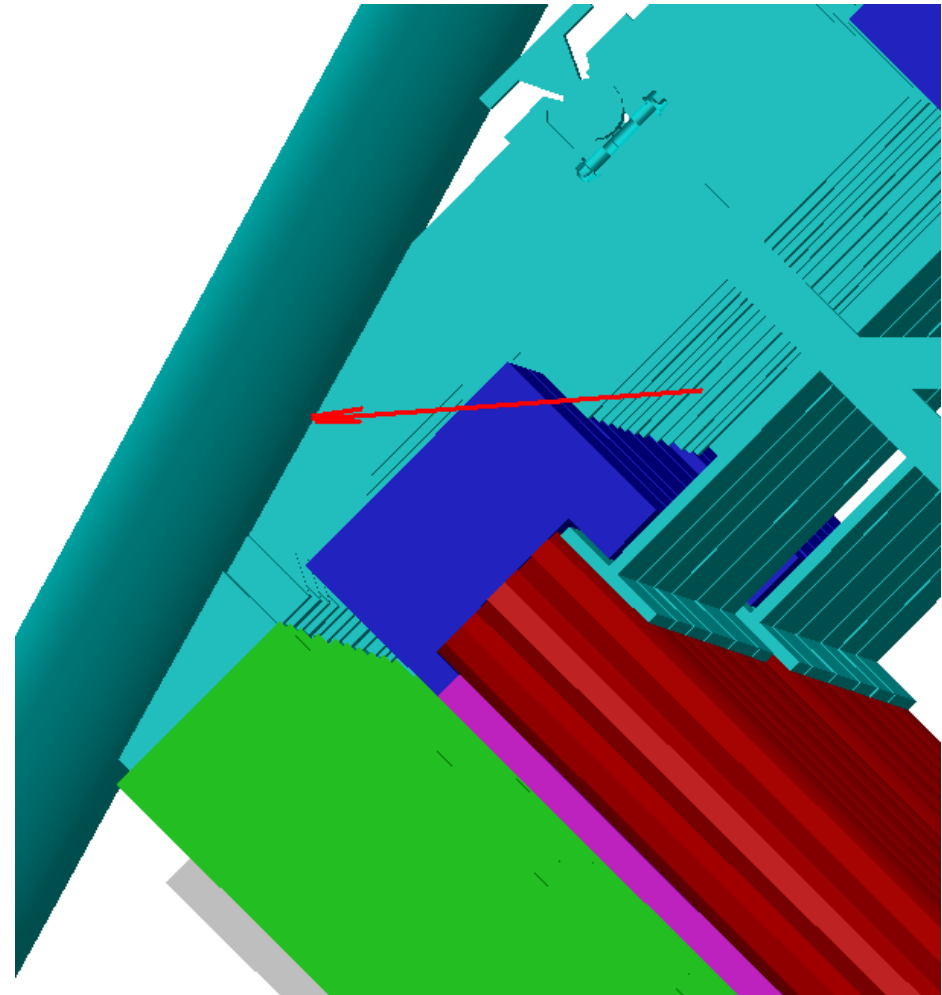
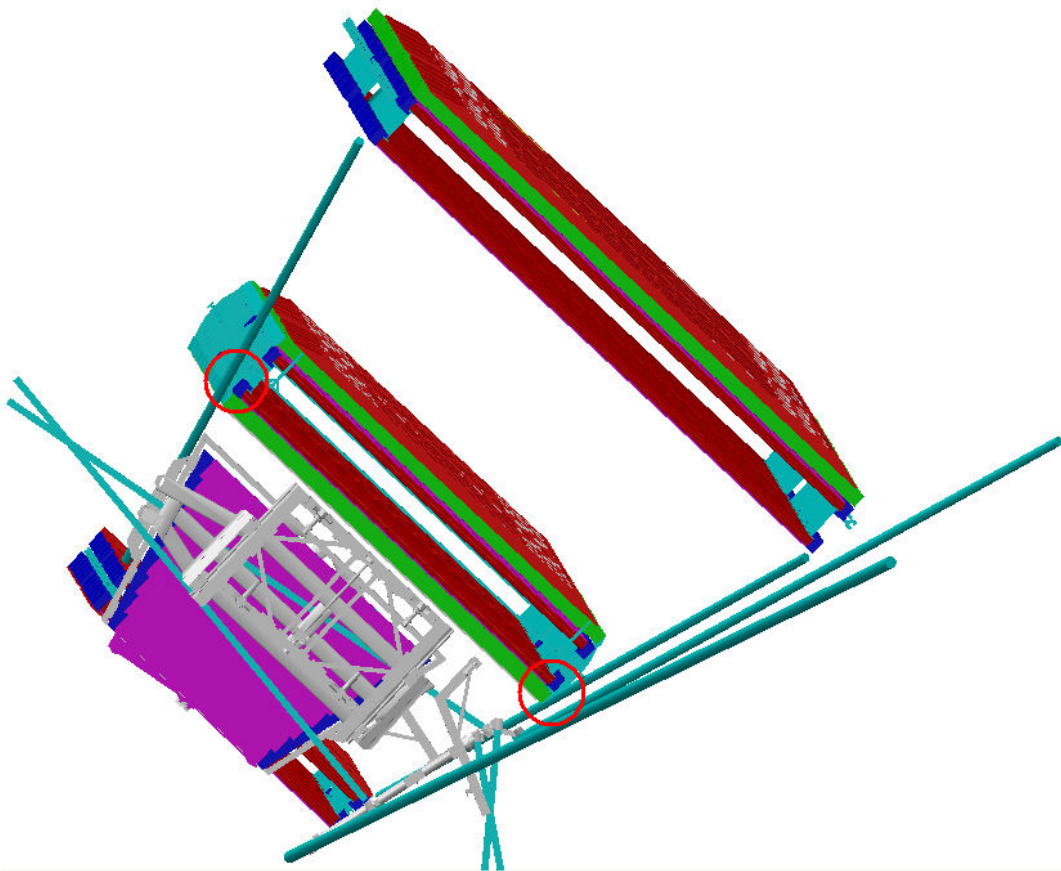
Clearance Publish

Clearance = 50mm

Clearance Computation Specification			
Products Selected		Value	Status
AT632806MQ - ALIGNMENT BAR EIL4, SIDE A, SECTOR 7	AT602157MQ - MUON BARREL CHAMBERS DETAILED - SECTOR 7	0 mm	Not inspected
	AT602159MQ - MUON BARREL CHAMBERS DETAILED - SECTOR 8	13.5 mm	Not inspected
	Z5_0002 - Z5 GLOBAL ENVELOPE (SIDE A) - AND LOCATION INTERFACES	23 mm	Not inspected

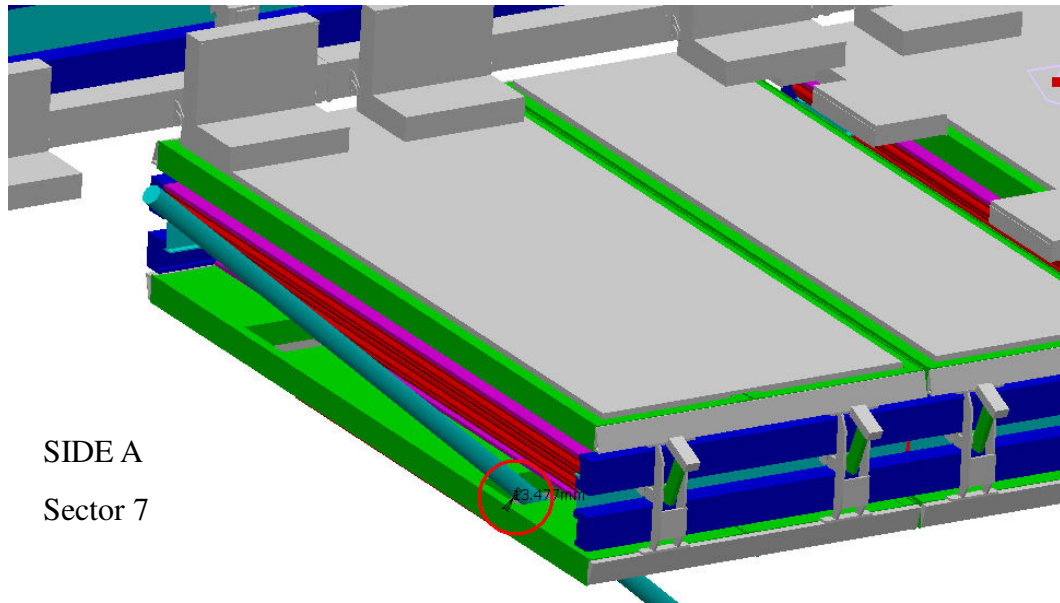
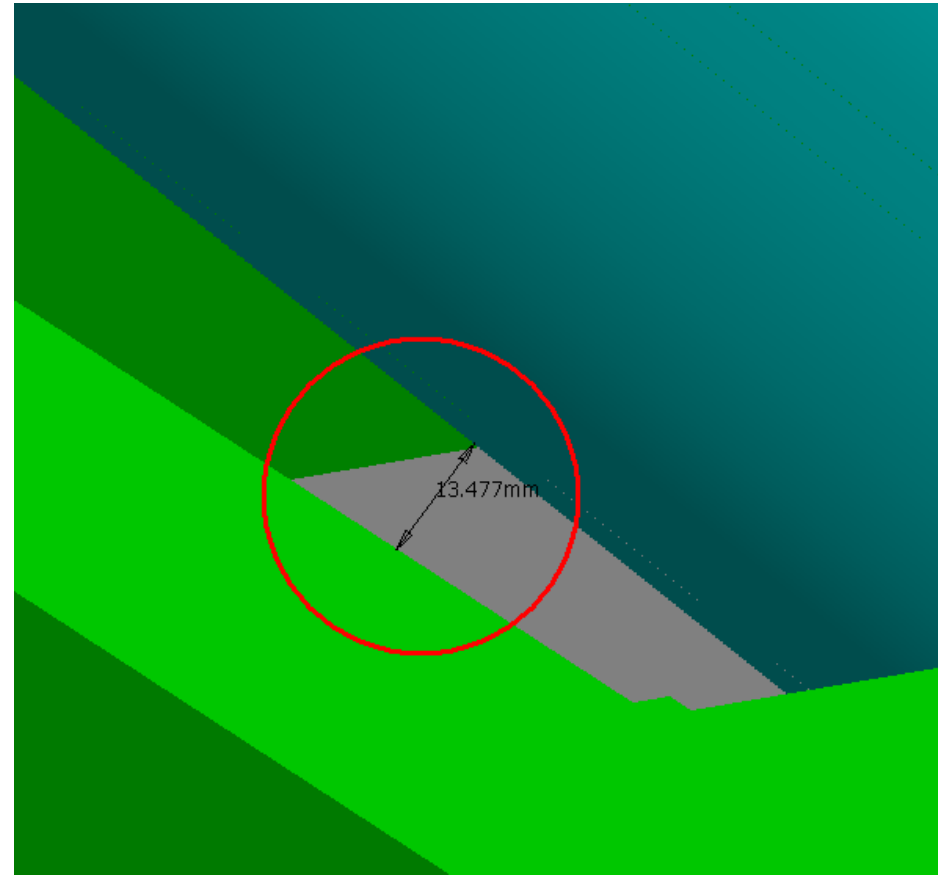
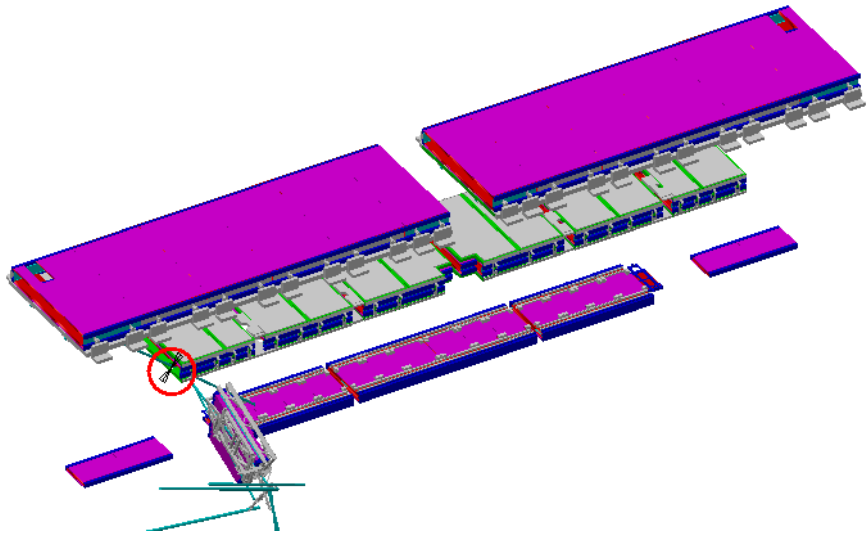
Computation Result:

AT632806MQ - ALIGNMENT BAR EIL4, SIDE A, SECTOR 7	AT602157MQ - MUON BARREL CHAMBERS DETAILED - SECTOR 7	Contact	0 mm			Not inspected
			$\Delta X \approx 0$	$\Delta Y \approx 0$	$\Delta Z \approx 0$	



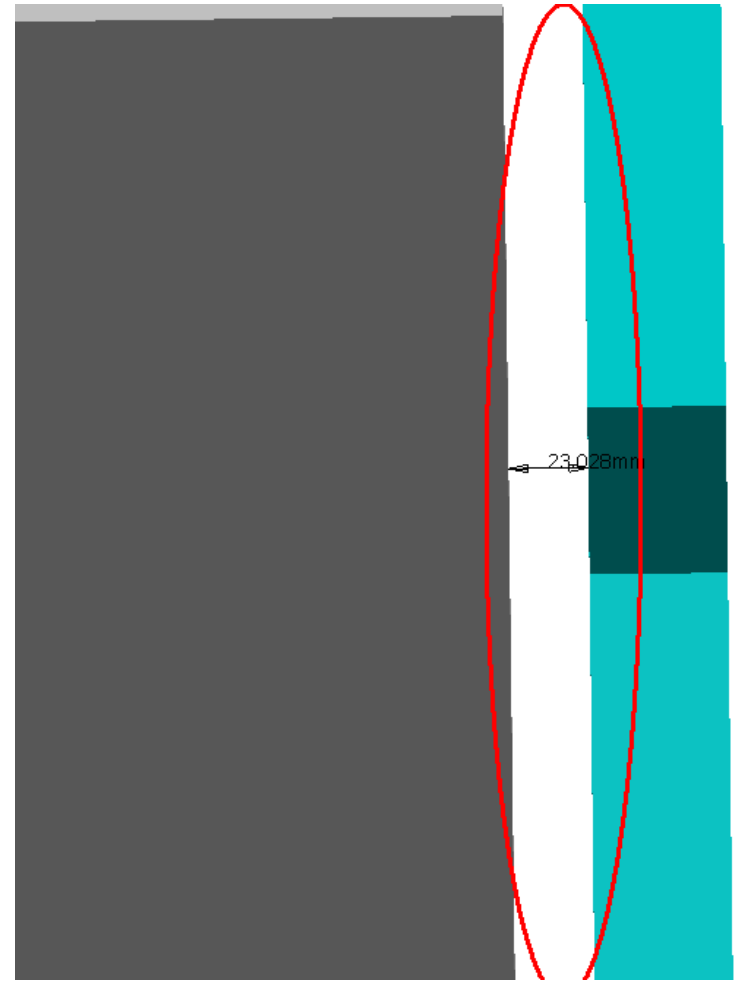
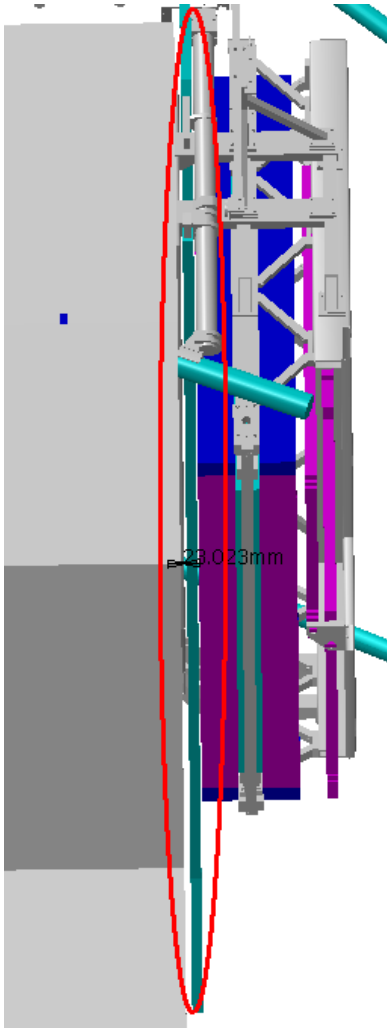
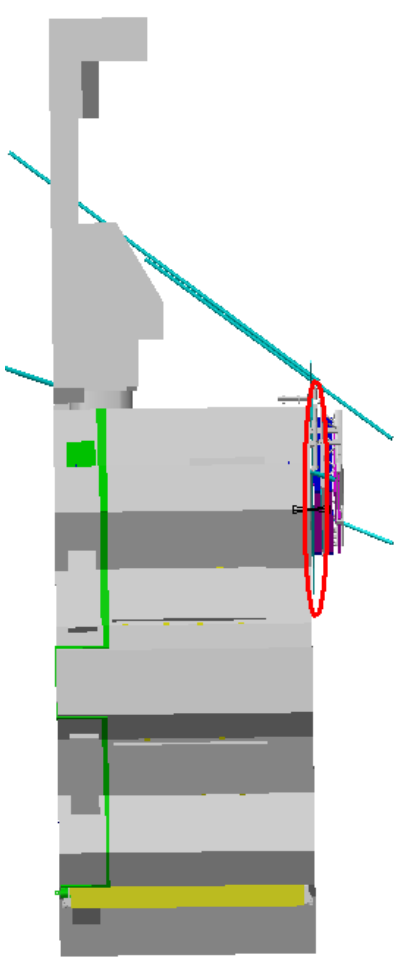
SIDE A
Sector 7

AT632806MQ - ALIGNMENT BAR EIL4, SIDE A, SECTOR 7	AT602159MQ - MUON BARREL CHAMBERS DETAILED - SECTOR 8	Clearance	13.5 mm			Not inspected
			$\Delta X \approx 9.5$	$\Delta Y \approx -8.7$	$\Delta Z \approx -4$	



SIDE A
Sector 7

AT632806MQ - ALIGNMENT BAR EIL4, SIDE A, SECTOR 7	Z5_0002 - Z5 GLOBAL ENVELOPE (SIDE A) - AND LOCATION INTERFACES	Clearance	23 mm			Not inspected
			$\Delta X \approx 0$	$\Delta Y \approx -23$	$\Delta Z \approx 0$	



SIDE A
Sector 7