

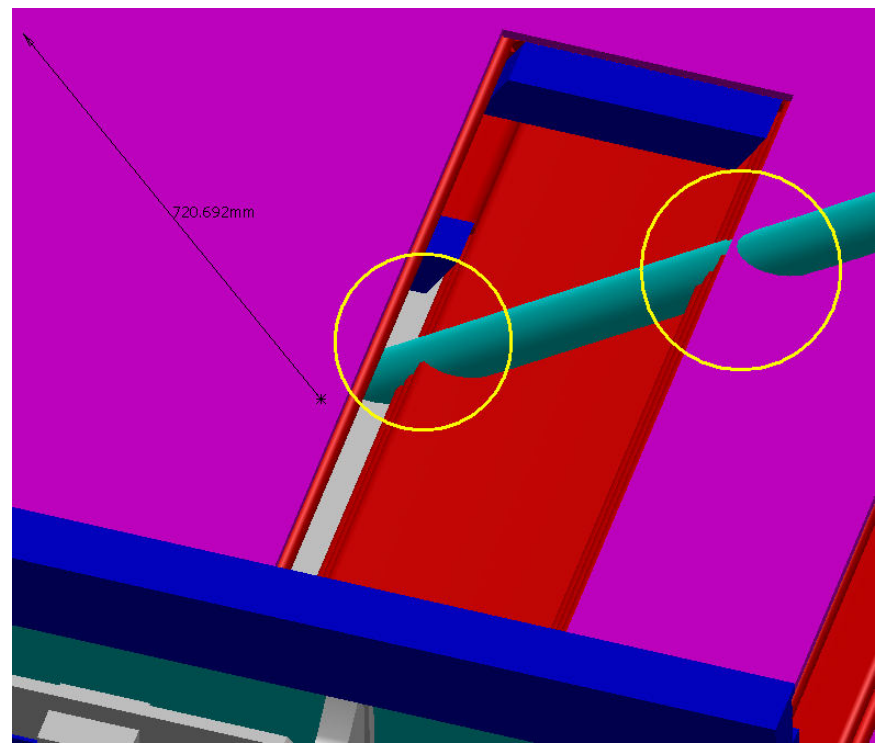
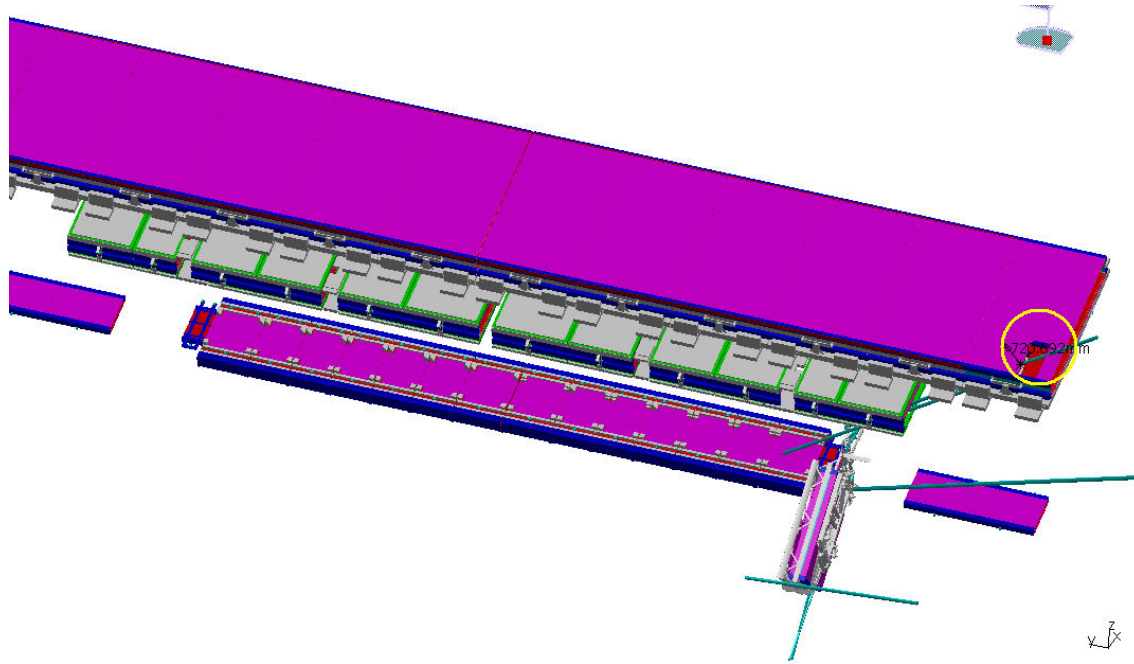
Clash Publish



Clash Computation Specification			
Products Selected		Value	Status
AT632806MQ - ALIGNMENT BAR EIL4, SIDE A, SECTOR 7	AT602154MQ Sec6 - MUON BARREL CHAMBERS DETAILED - SECTOR 6	-720.7 mm	Not inspected
	NMC_0017 - MEI, CSC CHAMBERS - SIMPLIFIED 3-D OBJECT	-39.7 mm	Not inspected
	NTB_0003 - TB WARM STRUCTURE - SIMPLIFIED 3-D OBJECT	-346.8 mm	Not inspected
	NTB_0001 BT6 - TB STANDARD COIL - SECTOR 6	-84 mm	Not inspected
	NTB_0001 BT8 - TB STANDARD COIL - SECTOR 8	-9.6 mm	Not inspected

Computation Result:

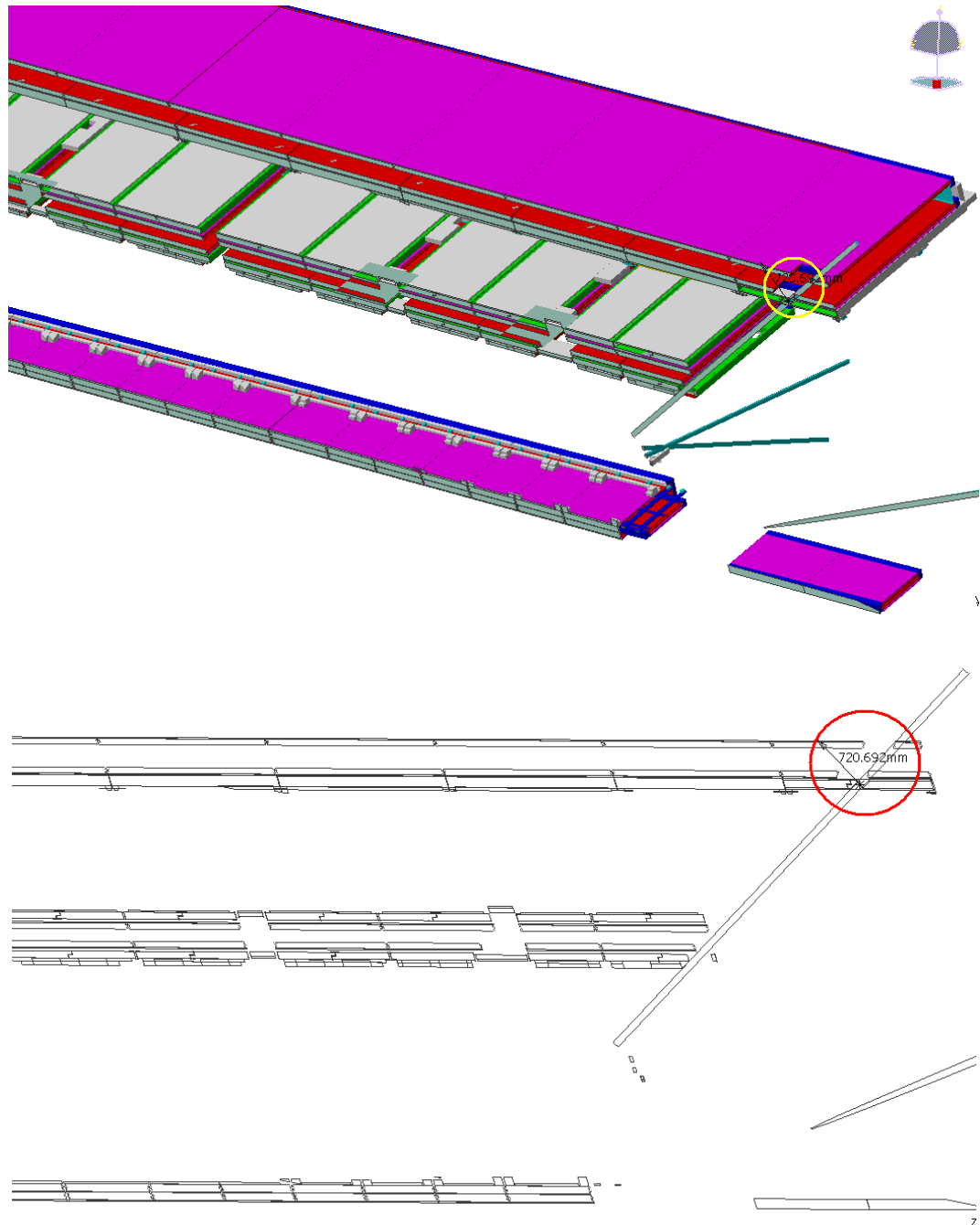
AT632806MQ - ALIGNMENT BAR EIL4, SIDE A, SECTOR 7	AT602154MQ Sec6 - MUON BARREL CHAMBERS DETAILED - SECTOR 6	Clash	-720.7 mm	Not inspected
--	---	-------	-----------	---------------



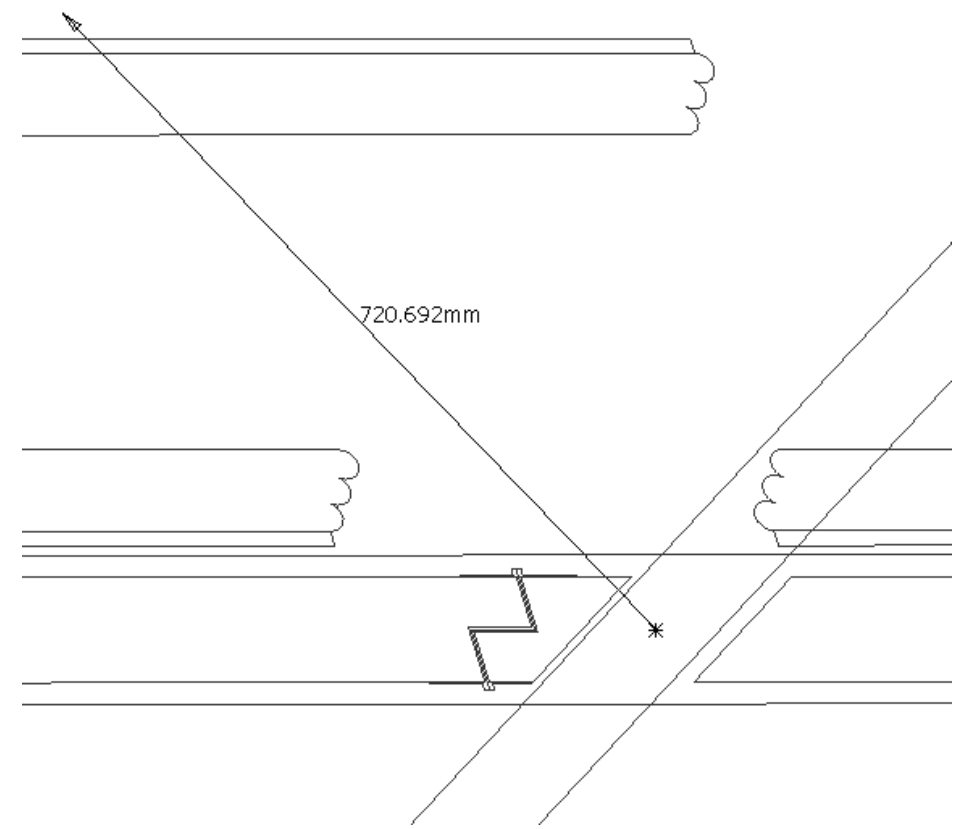
Clash value: ~ 720.7 mm

SIDE A

Sector 7



Clash View:



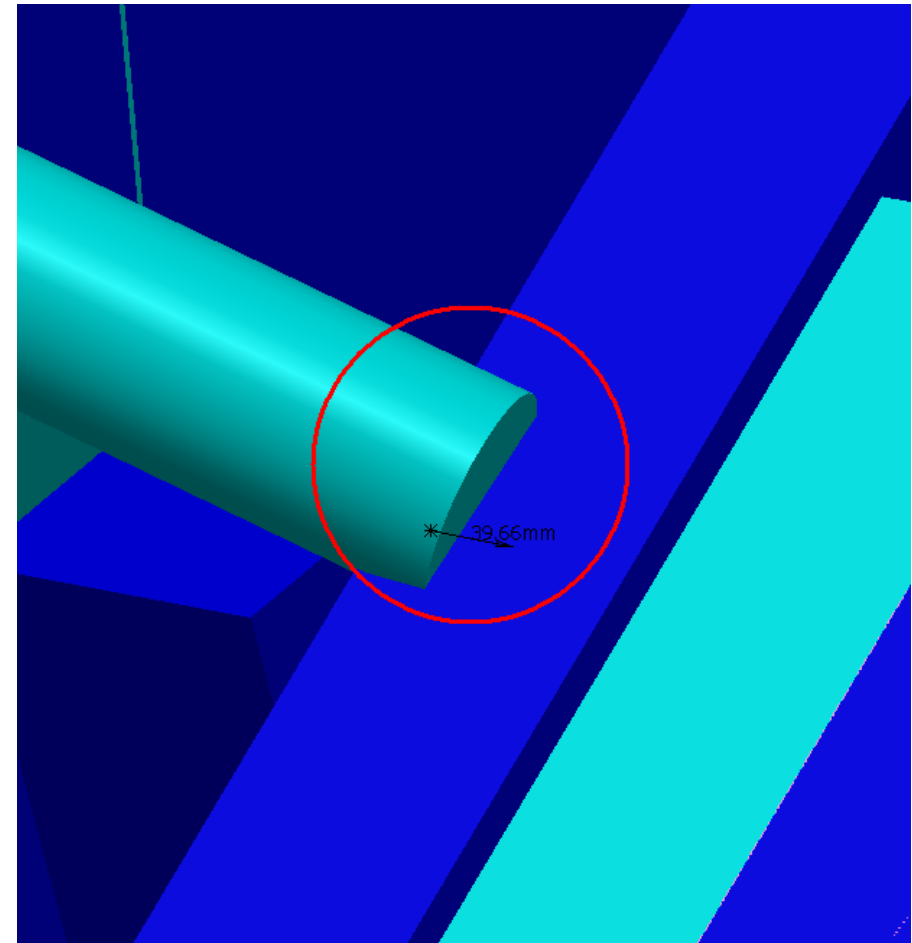
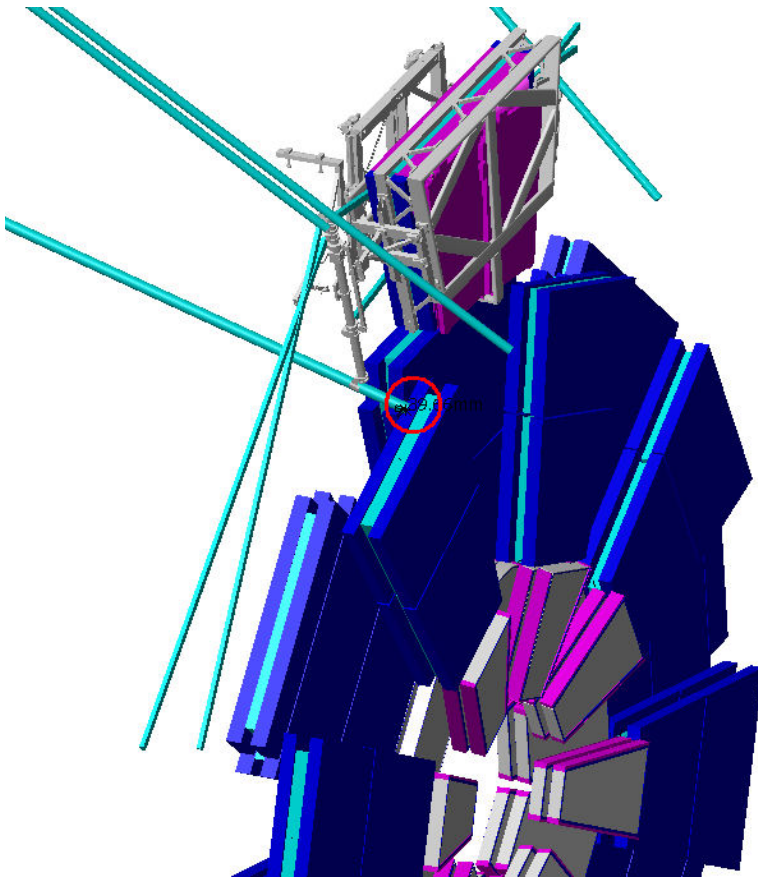
AT632806MQ - ALIGNMENT BAR
EIL4, SIDE A, SECTOR 7

NMC_0017 - MEI, CSC CHAMBERS - SIMPLIFIED 3-D
OBJECT

Clash

-39.7 mm

Not inspected

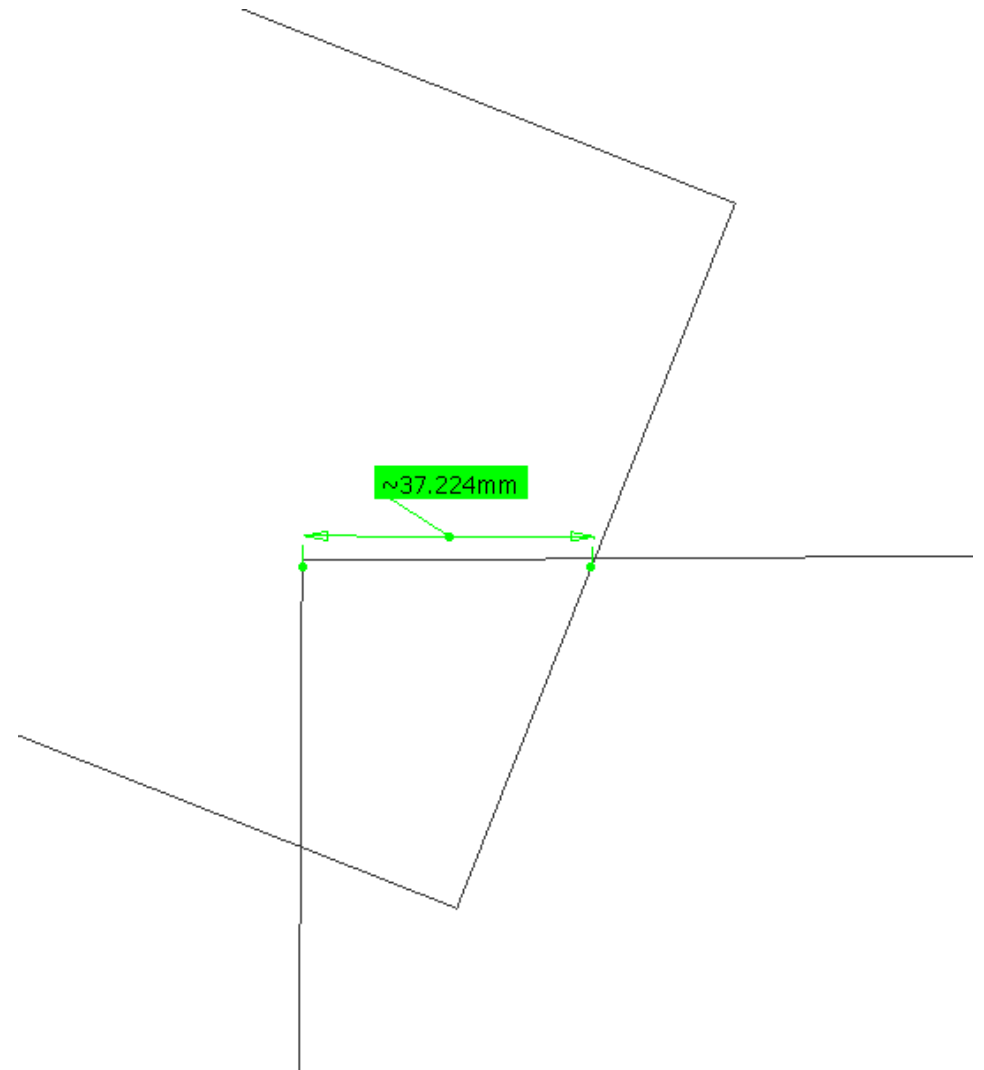
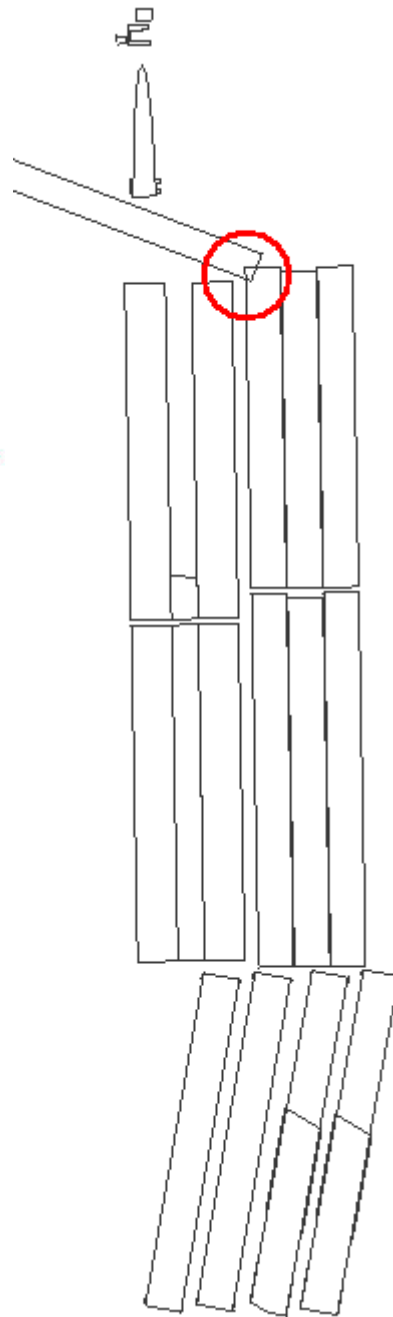
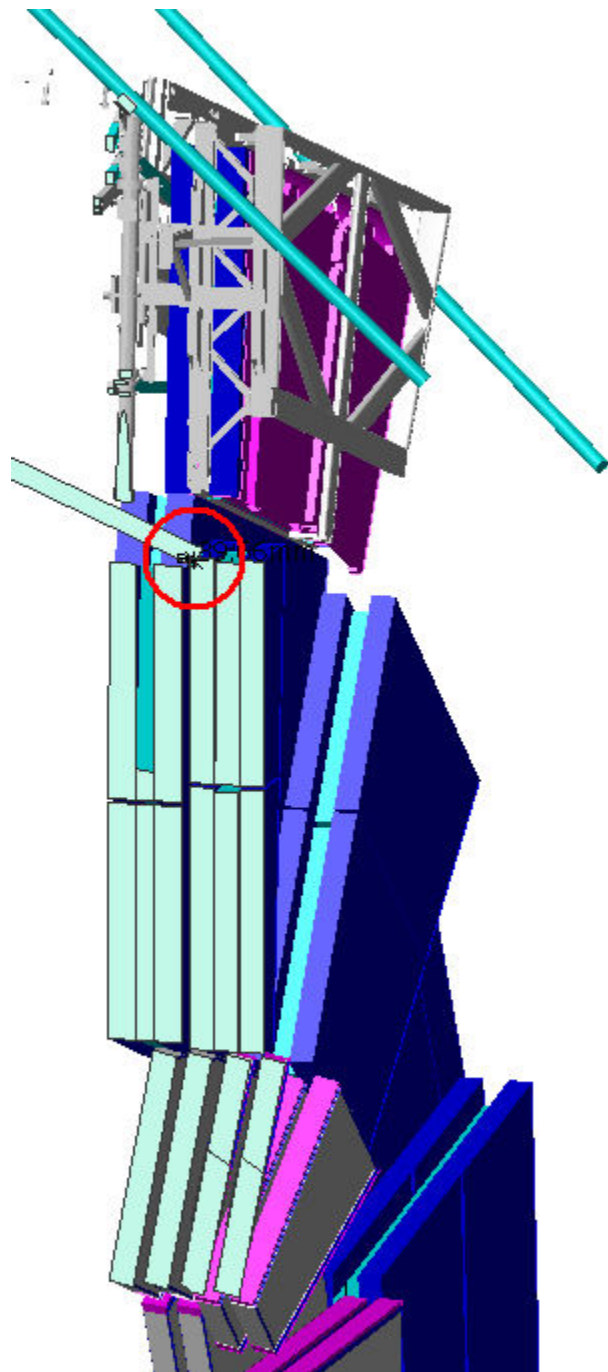


Clash value: ~ 39.7 mm

SIDE A

Sector 7

Clash View:



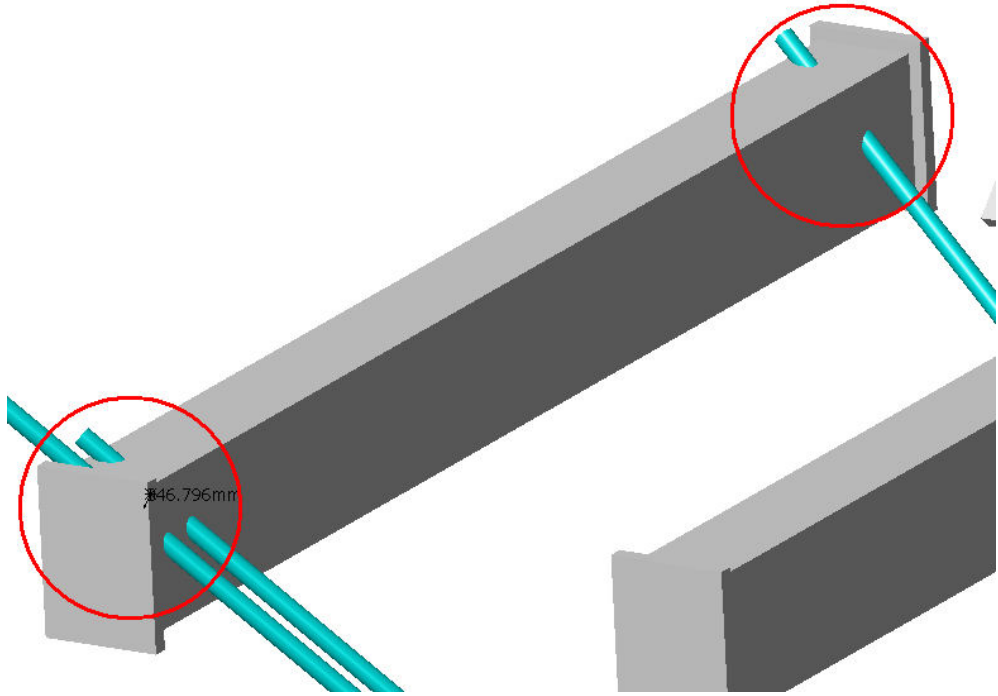
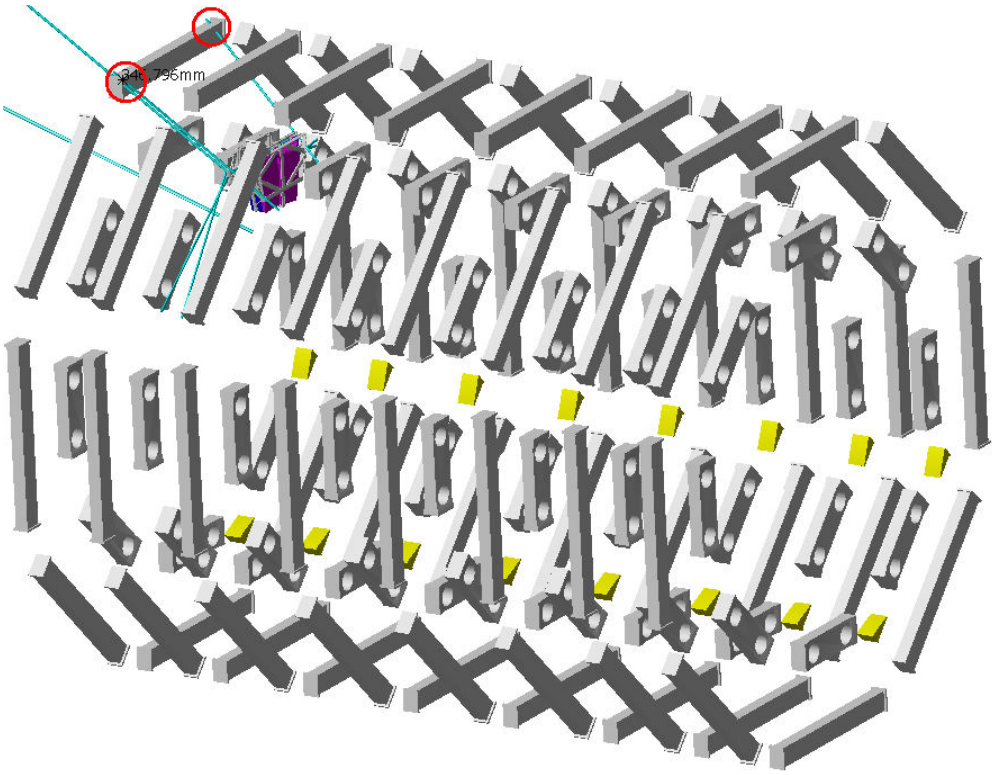
AT632806MQ - ALIGNMENT BAR
EIL4, SIDE A, SECTOR 7

NTB_0003 - TB WARM STRUCTURE - SIMPLIFIED
3-D OBJECT

Clash

-346.8 mm

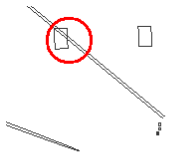
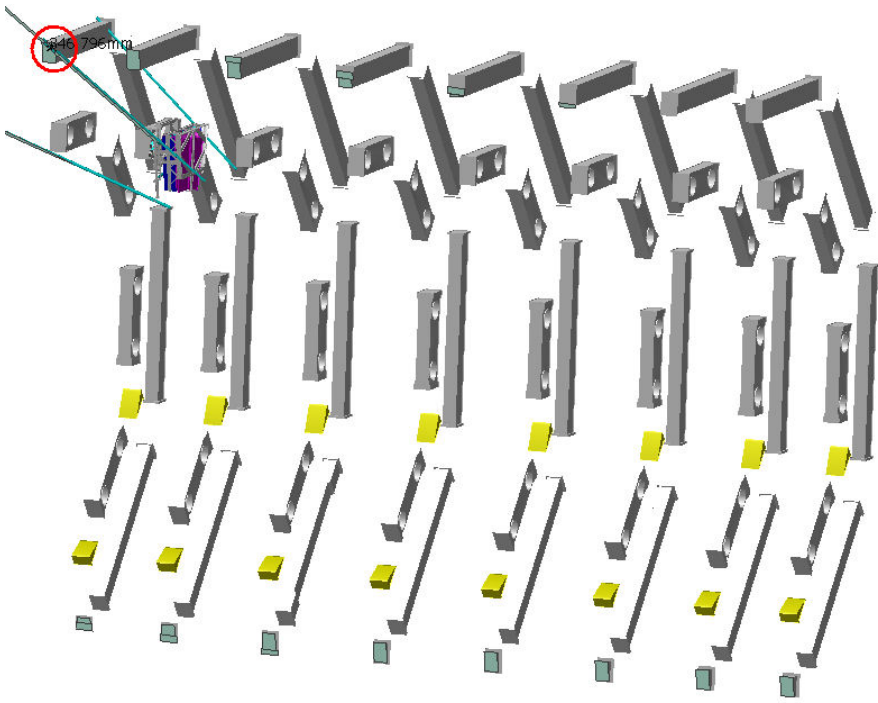
Not inspected



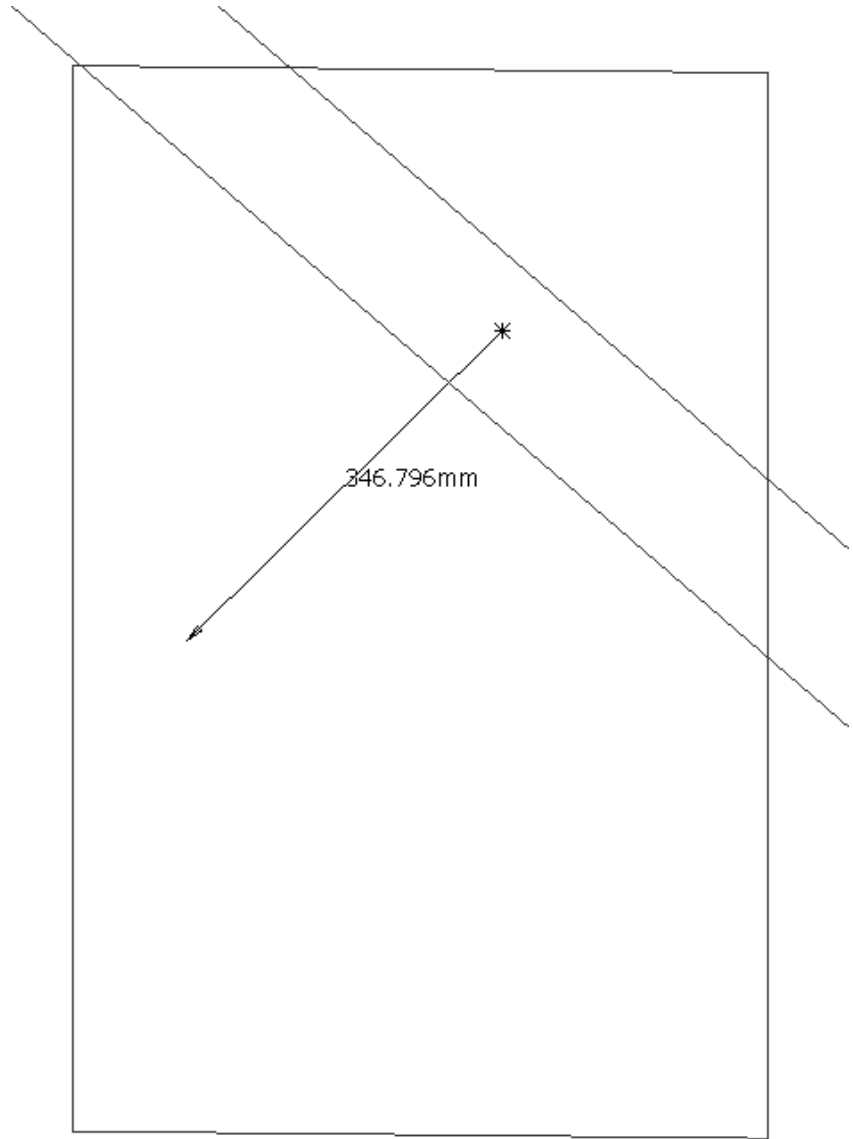
Clash value: ~ 346.8 mm

SIDE A

Sector 7



Clash View:



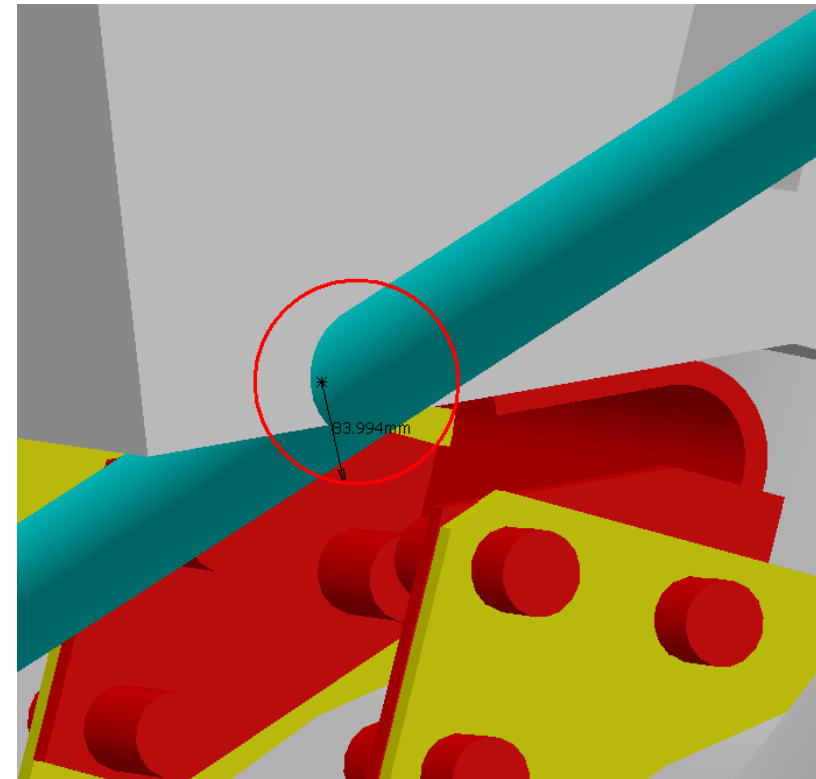
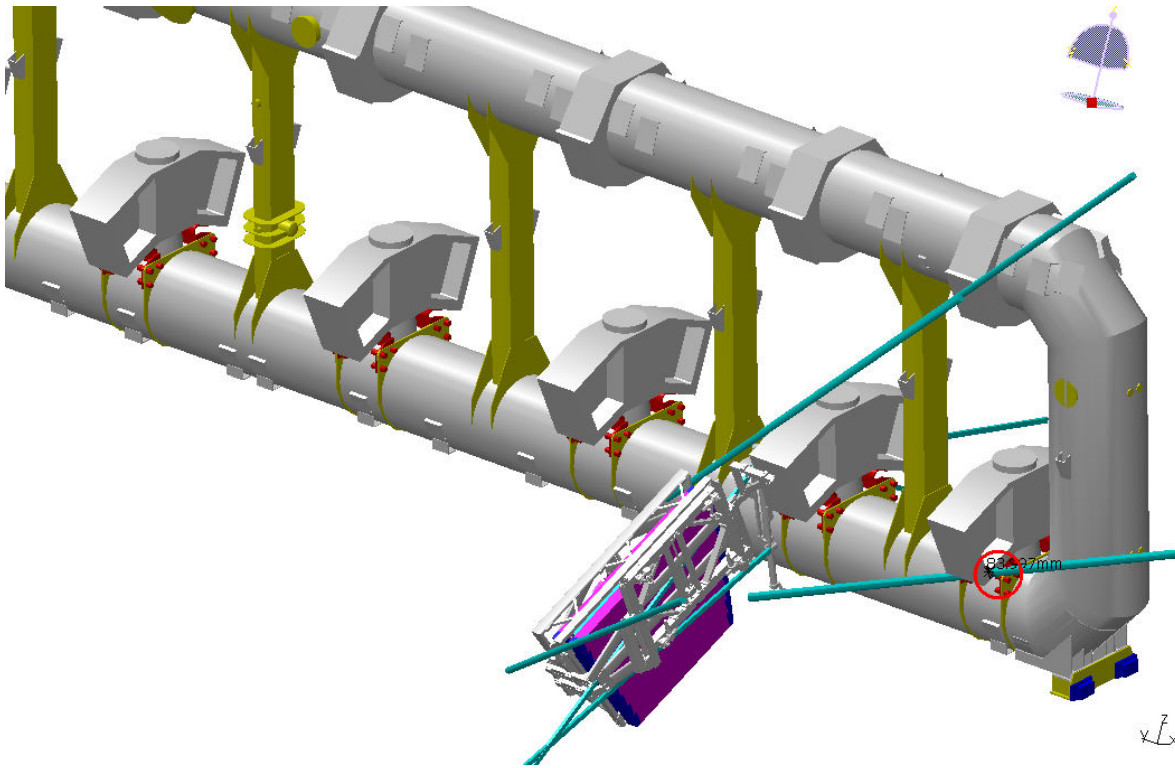
AT632806MQ - ALIGNMENT
BAR EIL4, SIDE A, SECTOR 7

NTB_0001 BT6 - TB STANDARD COIL - SECTOR 6

Clash

-84 mm

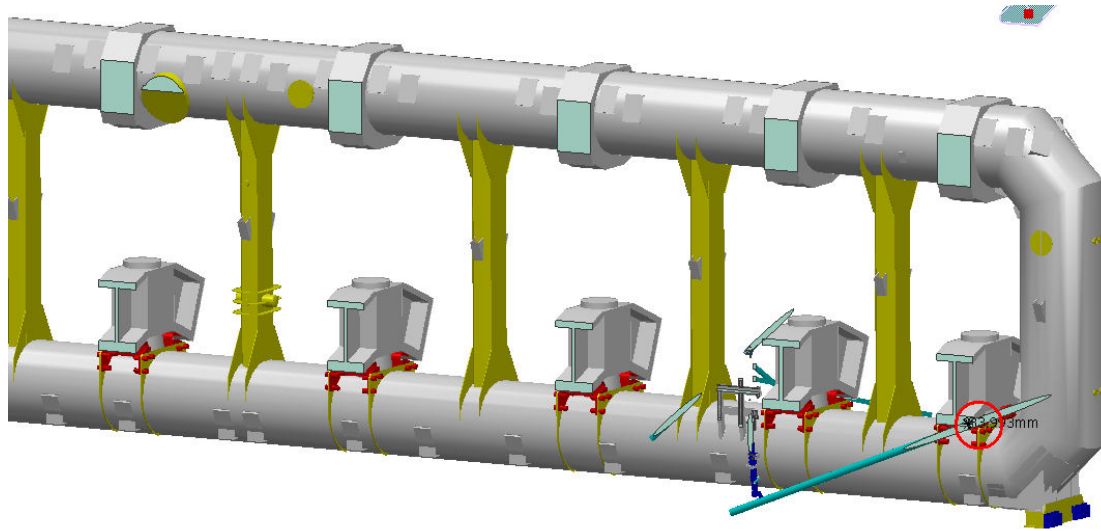
Not inspected



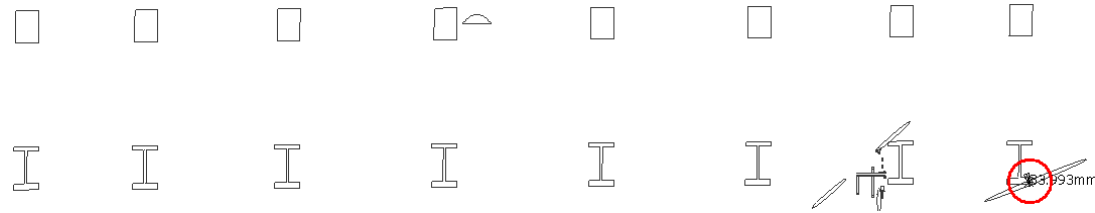
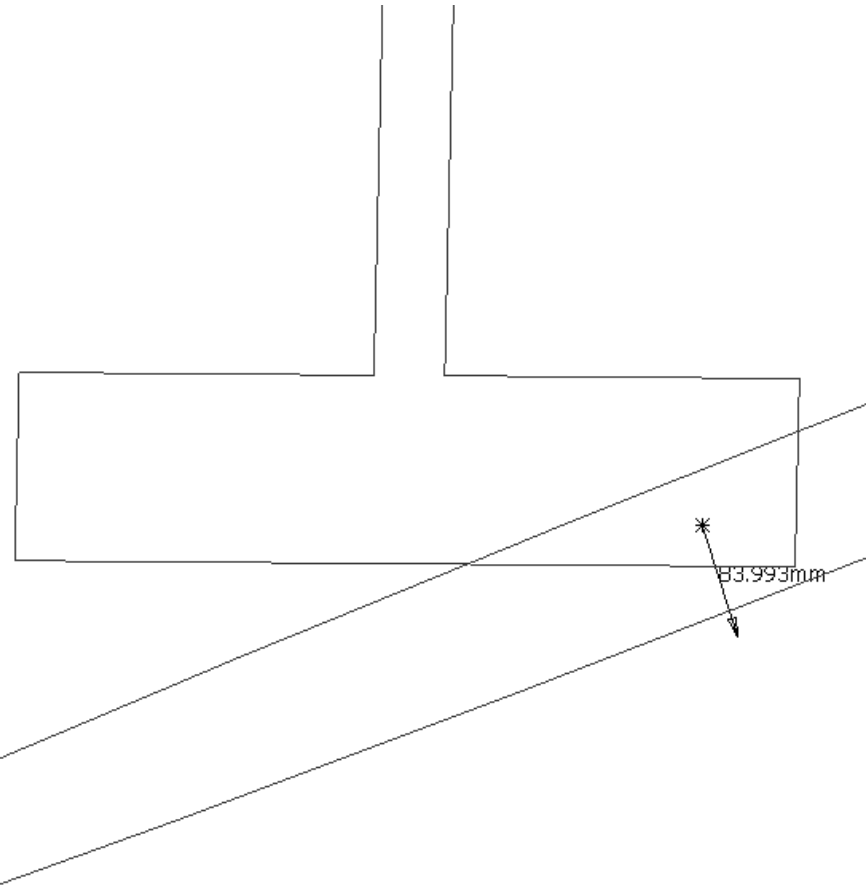
Clash value: ~ 84 mm

SIDE A

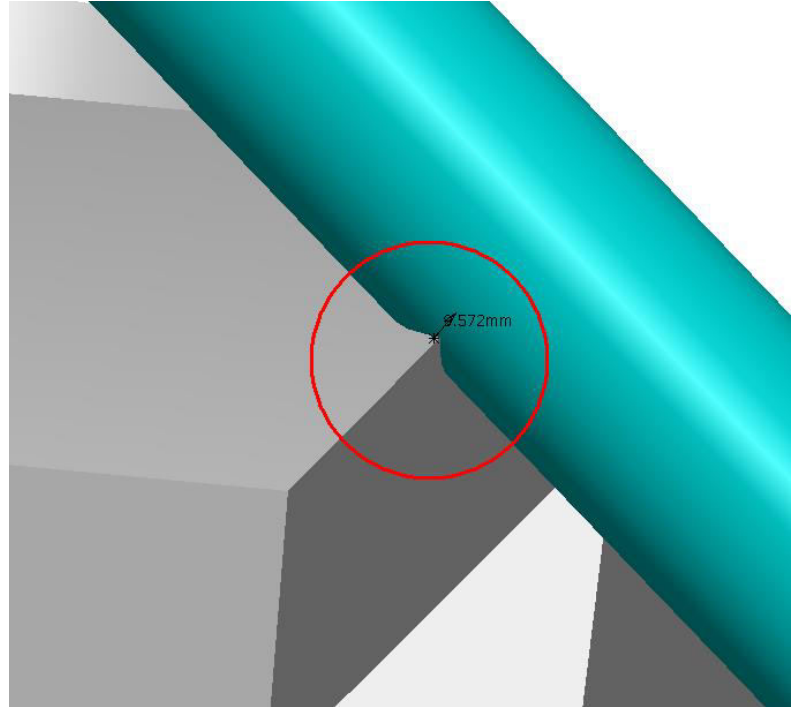
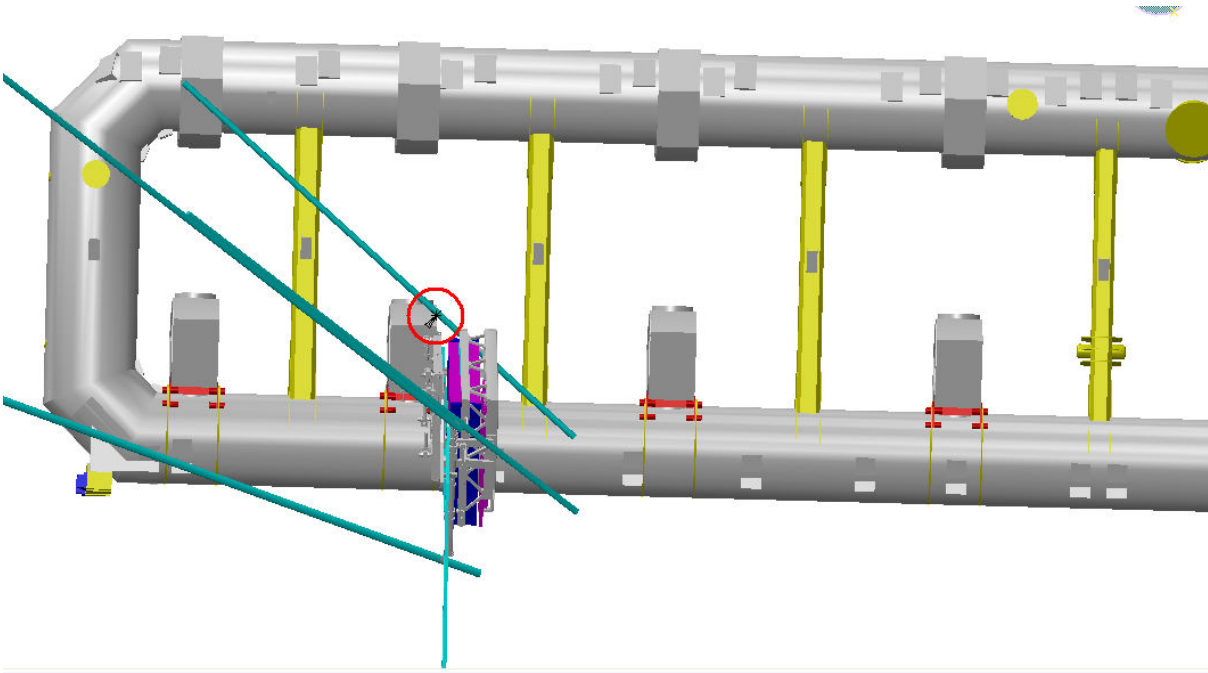
Sector 7



Clash View:



AT632806MQ - ALIGNMENT BAR EIL4, SIDE A, SECTOR 7	NTB_0001 BT8 - TB STANDARD COIL - SECTOR 8	Clash	-9.6 mm	Not inspected
--	--	-------	---------	---------------



Clash value: ~ 9.6 mm

SIDE A

Sector 7

Clash View:

