



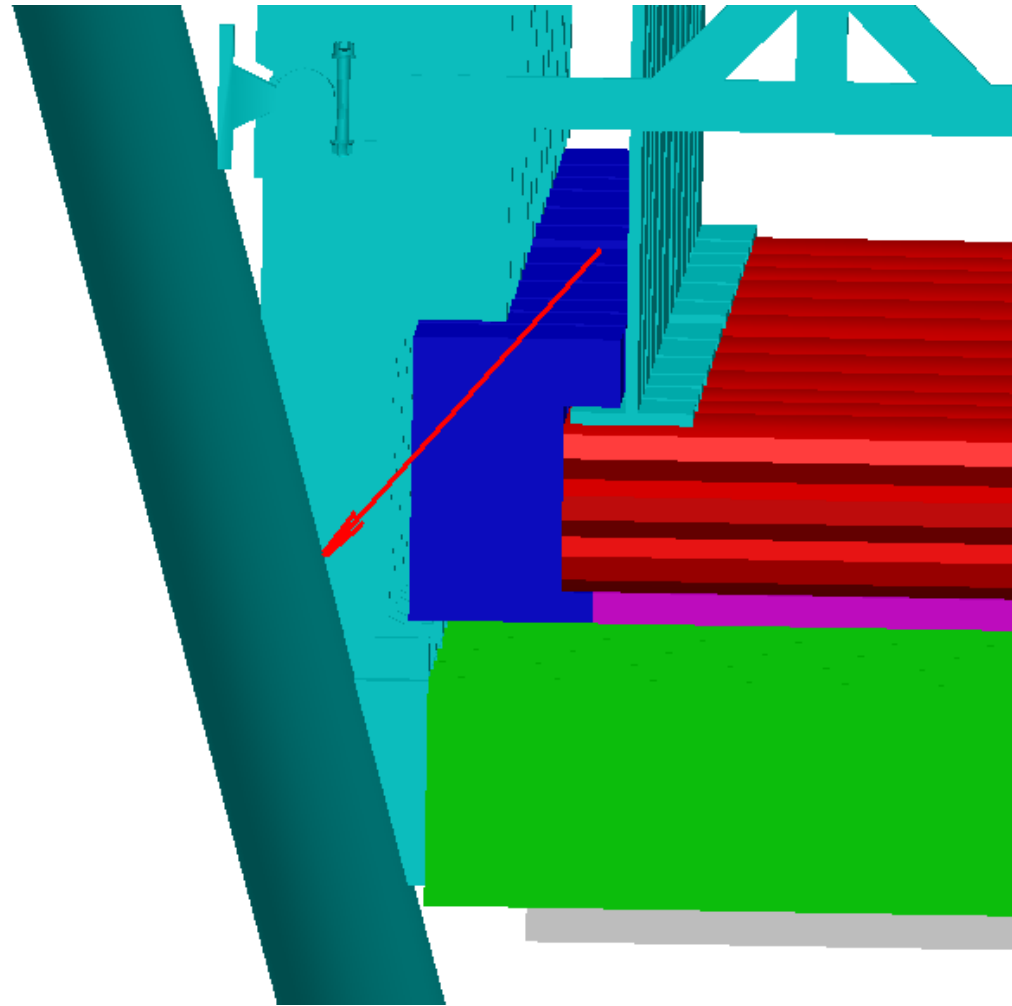
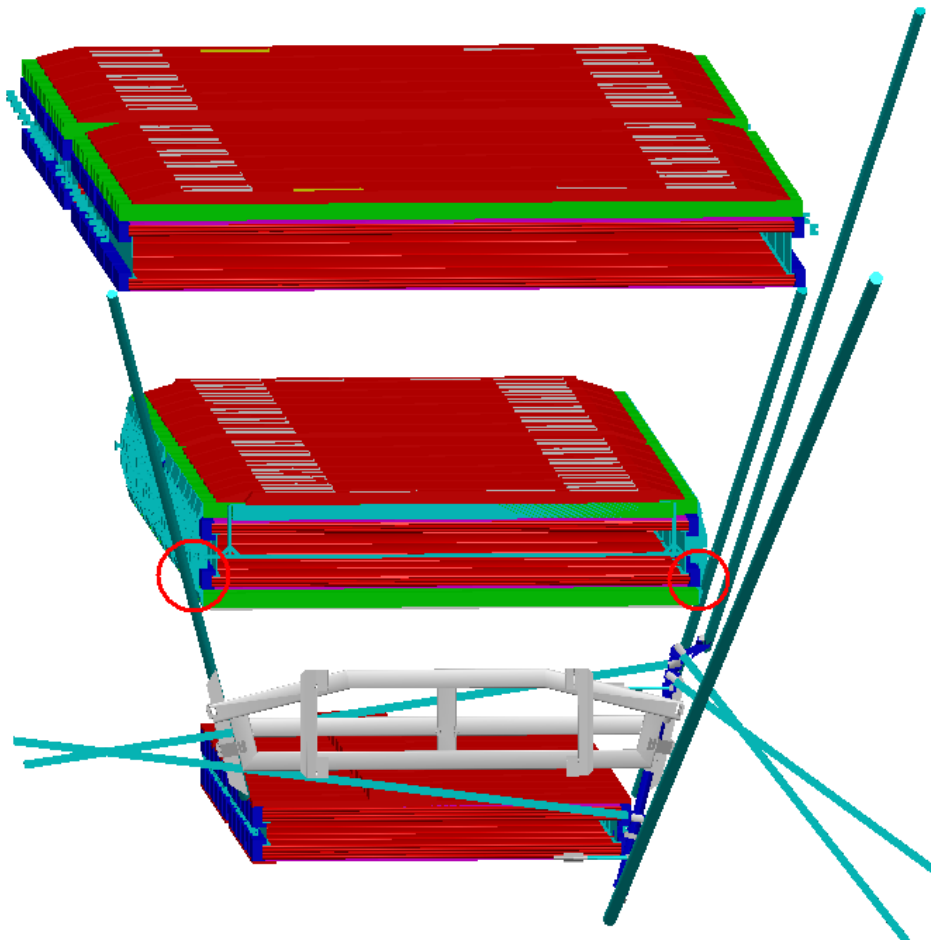
# Clearance Publish

Clearance = 50mm

Clearance Computation Specification			
Products Selected		Value	Status
<b>AT632805MQ</b> - ALIGNMENT BAR EIL4, SIDE A, SECTOR 5	<b>AT602156MQ</b> - MUON BARREL CHAMBERS DETAILED - SECTOR 5	0 mm	Not inspected
	<b>AT602154MQ SEC6</b> - MUON BARREL CHAMBERS DETAILED - SECTOR 6	13.5 mm	Not inspected
	<b>Z5_0002</b> - Z5 GLOBAL ENVELOPE (SIDE A) - AND LOCATION INTERFACES	23 mm	Not inspected

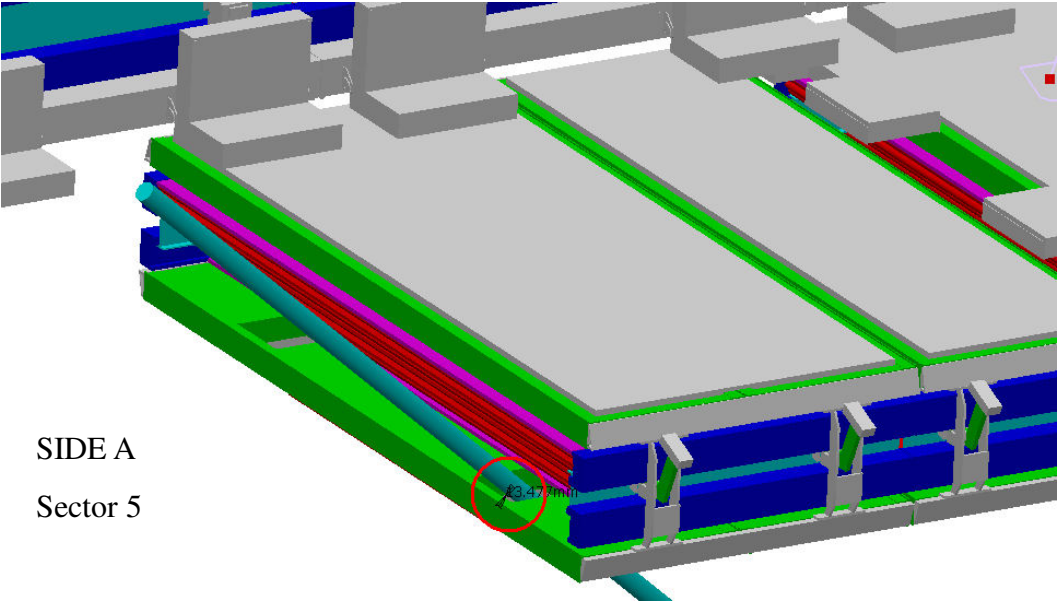
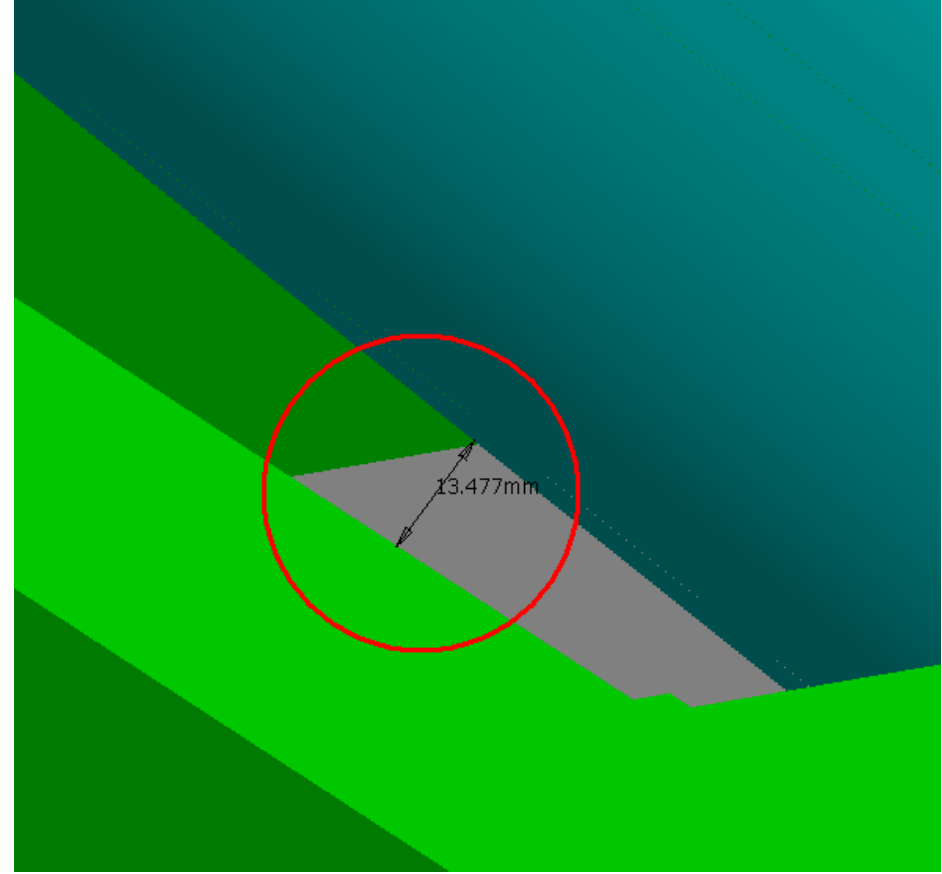
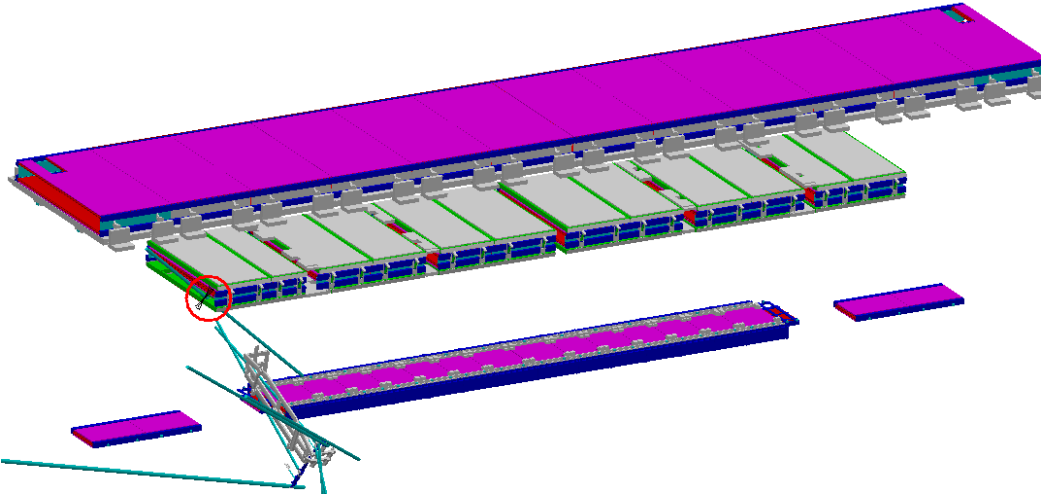
**Computation Result:**

AT632805MQ - ALIGNMENT BAR EIL4, SIDE A, SECTOR 5	AT602156MQ - MUON BARREL CHAMBERS DETAILED - SECTOR 5	Clearance	0 mm			Not inspected
			$\Delta X \approx 0$	$\Delta Y \approx 0$	$\Delta Z \approx 0$	



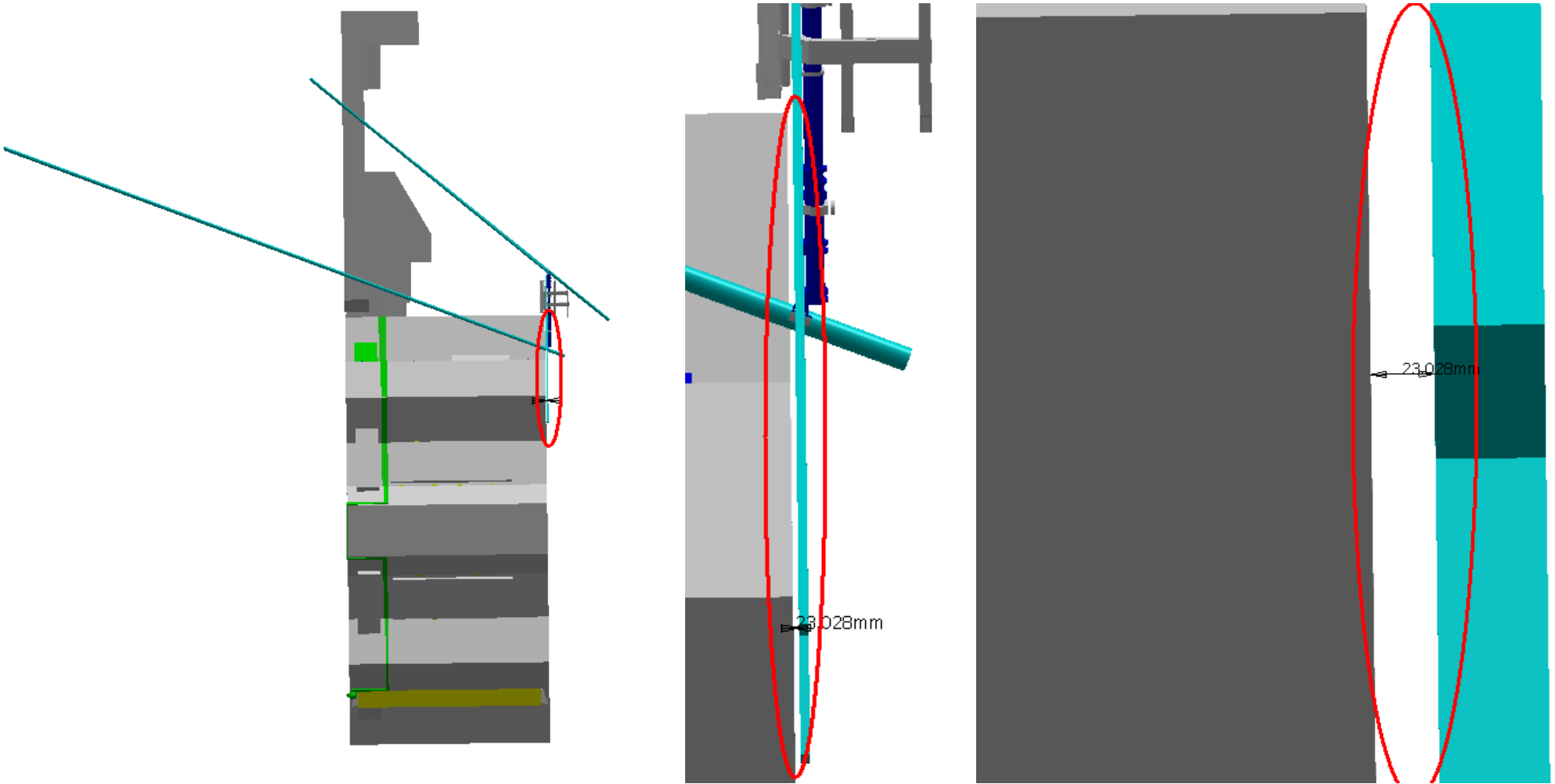
SIDE A  
Sector 5

AT632805MQ - ALIGNMENT BAR EIL4, SIDE A, SECTOR 5	AT602154MQ SEC6 - MUON BARREL CHAMBERS DETAILED - SECTOR 6	Clearance	13.5 mm			Not inspected
			$\Delta X \approx -3.9$	$\Delta Y \approx -8.6$	$\Delta Z \approx -9.6$	



SIDE A  
Sector 5

<b>AT632805MQ</b> - ALIGNMENT BAR EIL4, SIDE A, SECTOR 5	<b>Z5_0002</b> - Z5 GLOBAL ENVELOPE (SIDE A) - AND LOCATION INTERFACES	Clearance	23 mm			Not inspected
			$\Delta X \approx 0$	$\Delta Y \approx -23$	$\Delta Z \approx 0$	



SIDE A  
Sector 5