

Clash Publish



Clash Computation Specification			
Products Selected		Value	Status
AT632805MQ - ALIGNMENT BAR EIL4, SIDE A, SECTOR 5	AT602154MQ Sec4 - MUON BARREL CHAMBERS DETAILED - SECTOR 4	-720.9 mm	Not inspected
	NMC_0017 - MEI, CSC CHAMBERS - SIMPLIFIED 3-D OBJECT	-39.7 mm	Not inspected
	NTB_0003 - TB WARM STRUCTURE - SIMPLIFIED 3-D OBJECT	-316 mm	Not inspected
	NTB_0001 BT4 - TB STANDARD COIL - SECTOR 4	-84 mm	Not inspected
	NTB_0001 BT6 - TB STANDARD COIL - SECTOR 6	-9.6 mm	Not inspected

Computation Result:

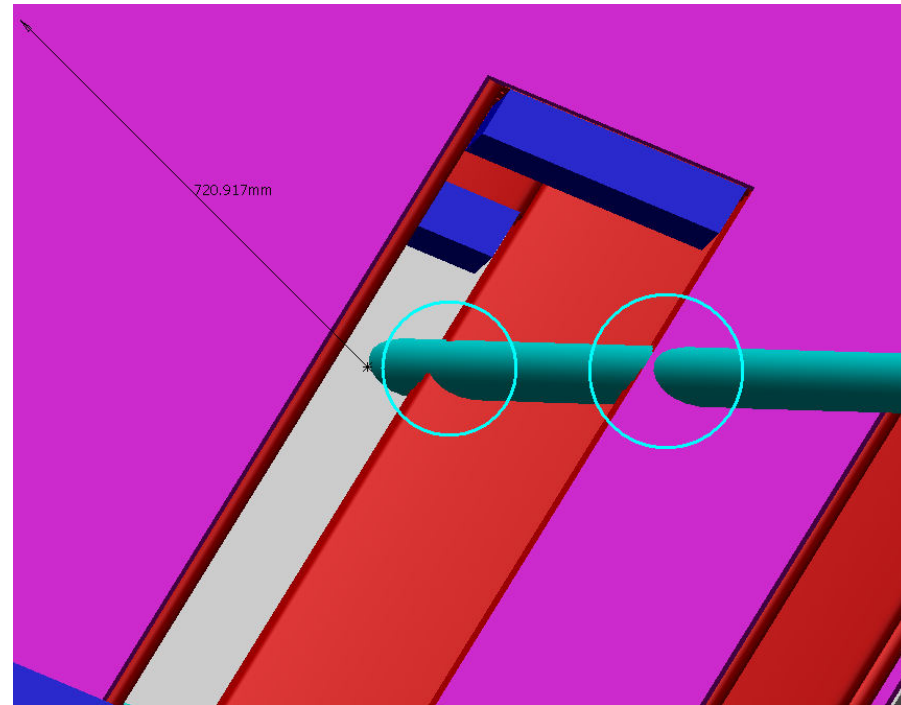
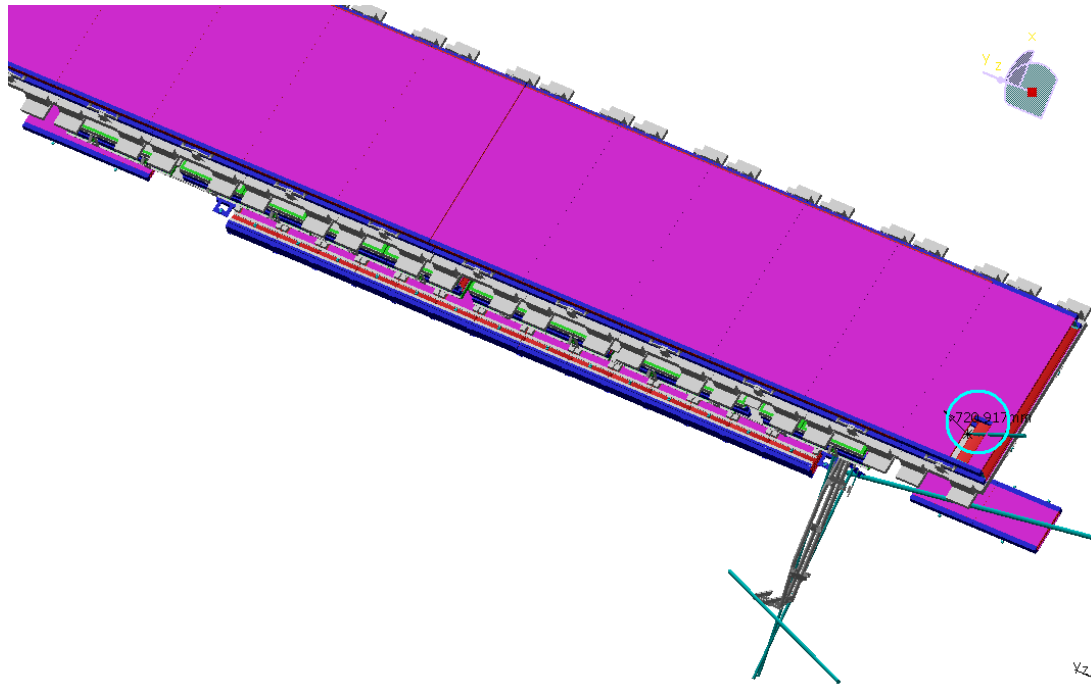
AT632805MQ - ALIGNMENT BAR
EIL4, SIDE A, SECTOR 5

AT602154MQ Sec4 - MUON BARREL CHAMBERS
DETAILED - SECTOR 4

Clash

-720.9 mm

Not inspected

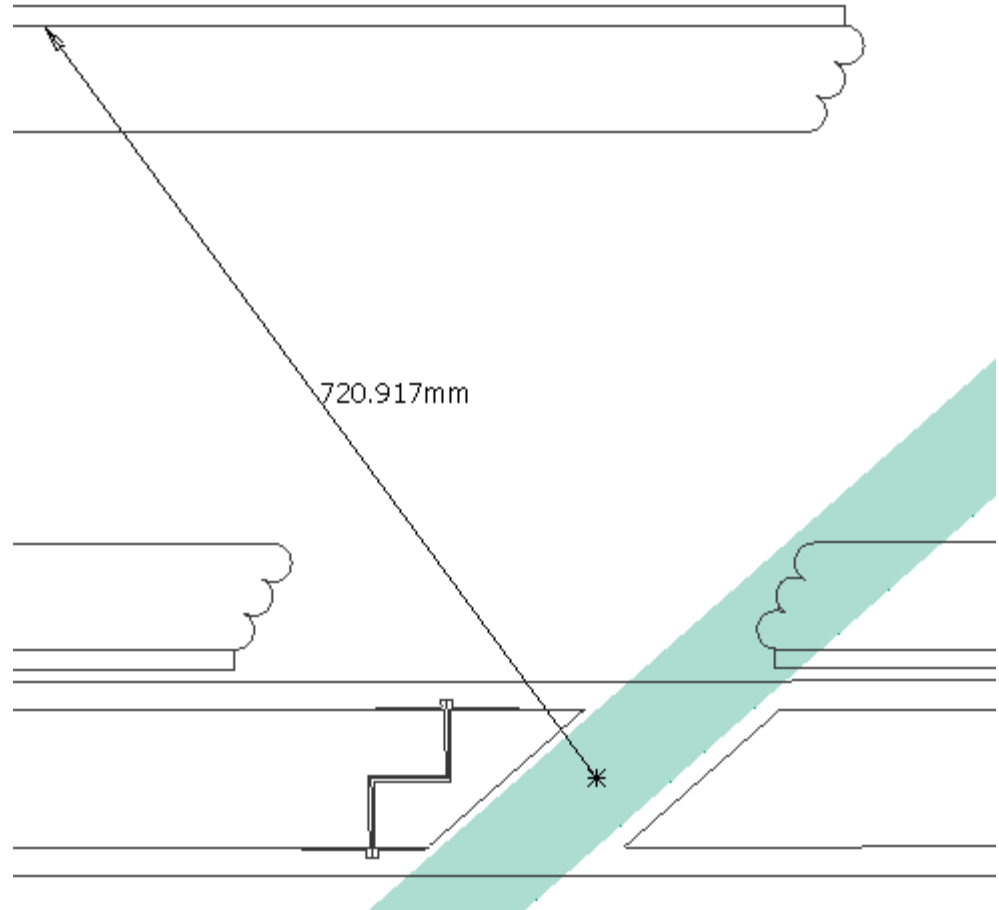
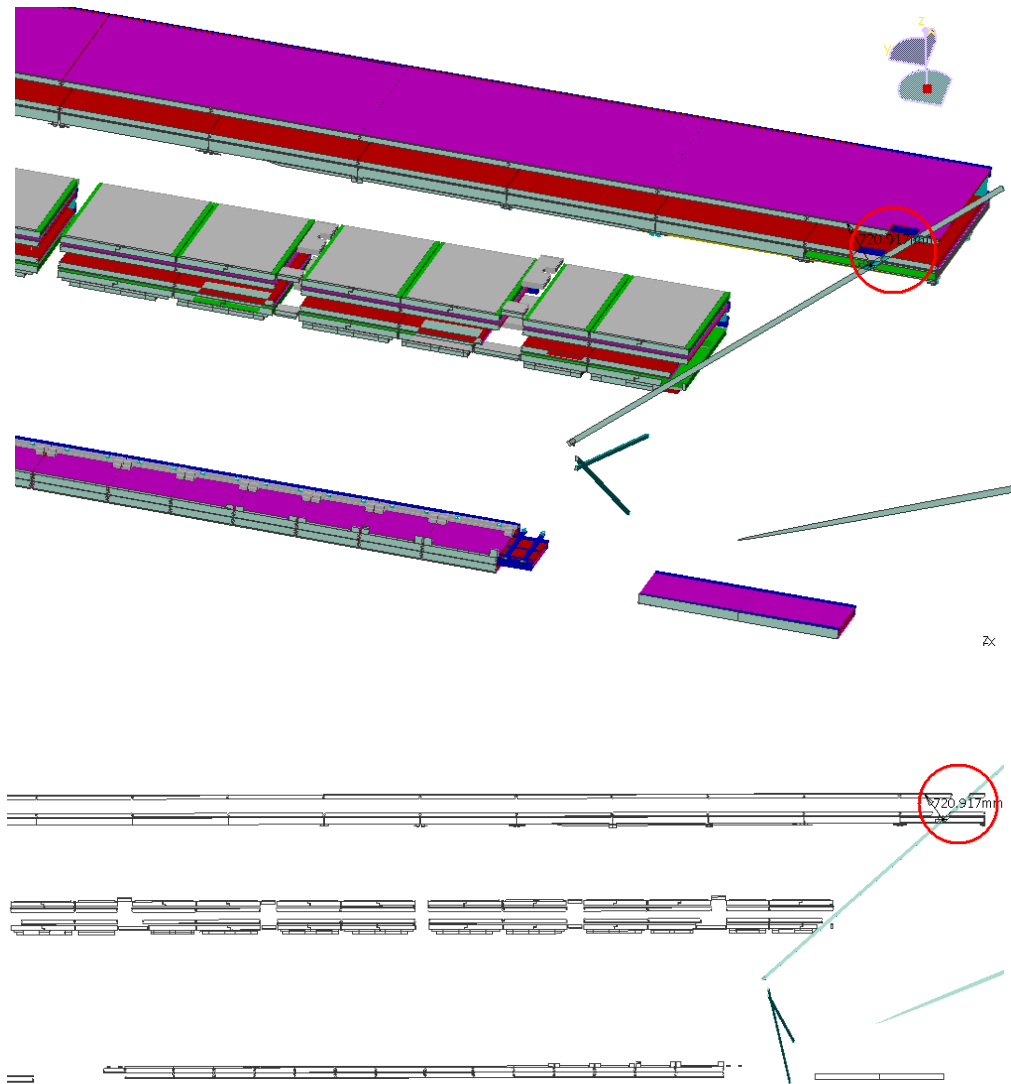


Clash value: ~ 720.9 mm

SIDE A

Sector 5

Clash View:



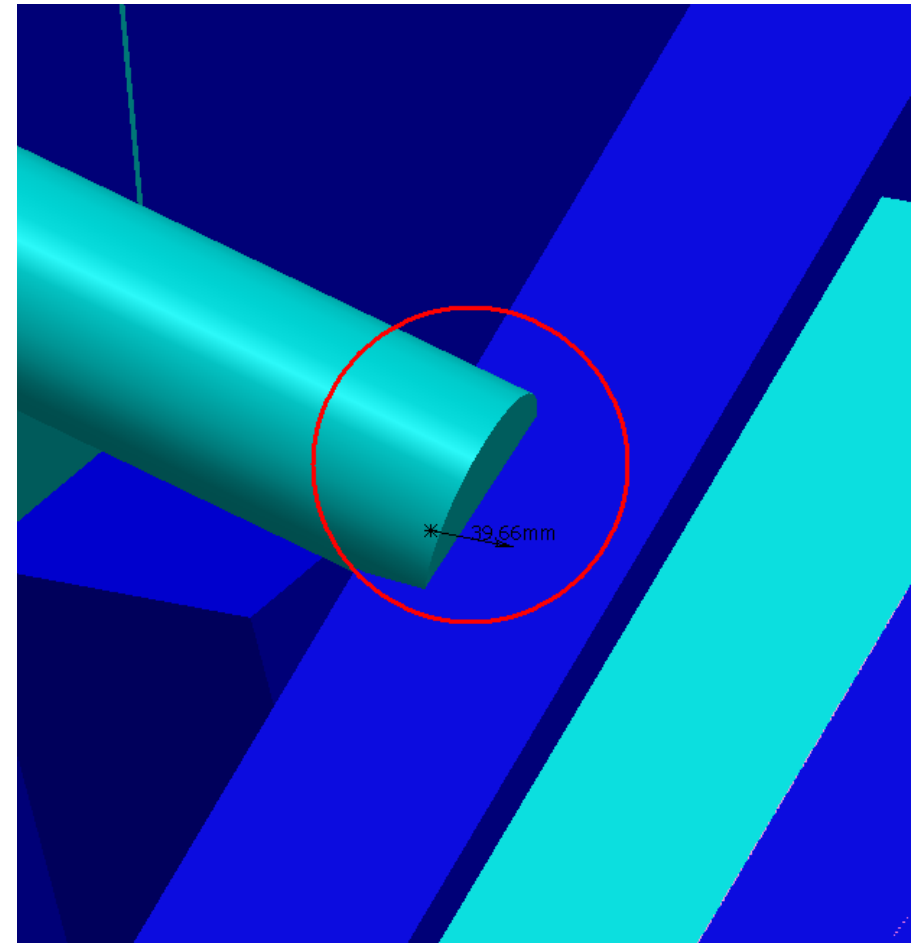
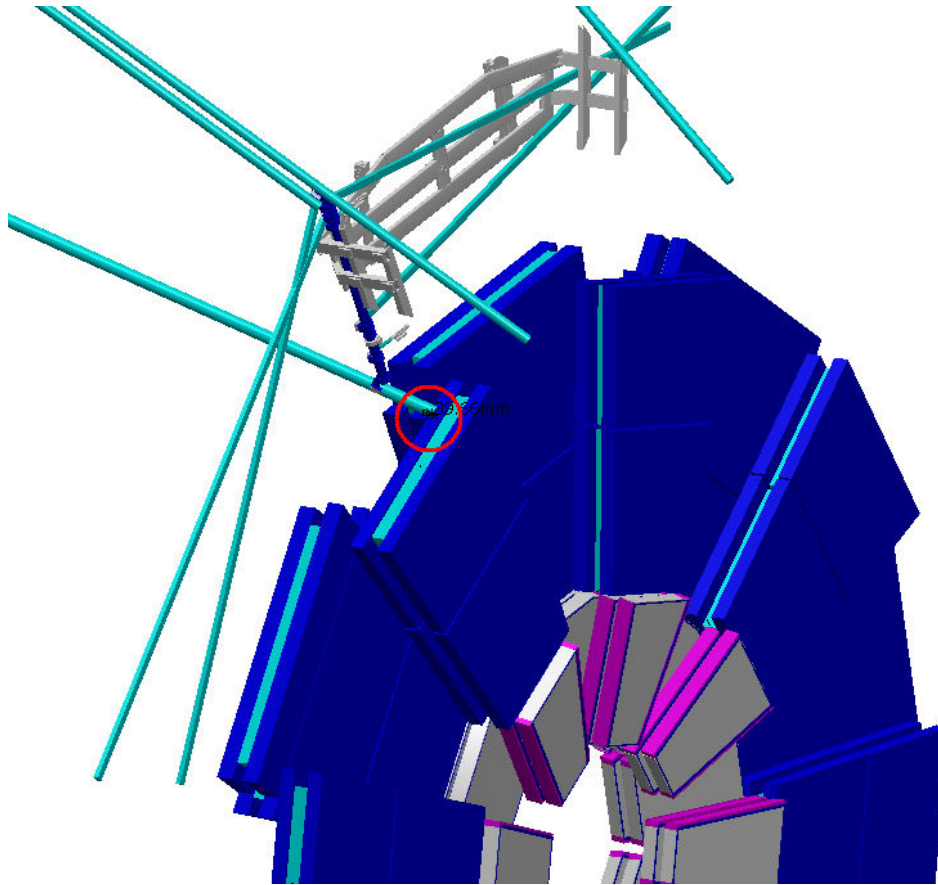
AT632805MQ - ALIGNMENT BAR
EIL4, SIDE A, SECTOR 5

NMC_0017 - MEI, CSC CHAMBERS - SIMPLIFIED 3-D
OBJECT

Clash

-39.7 mm

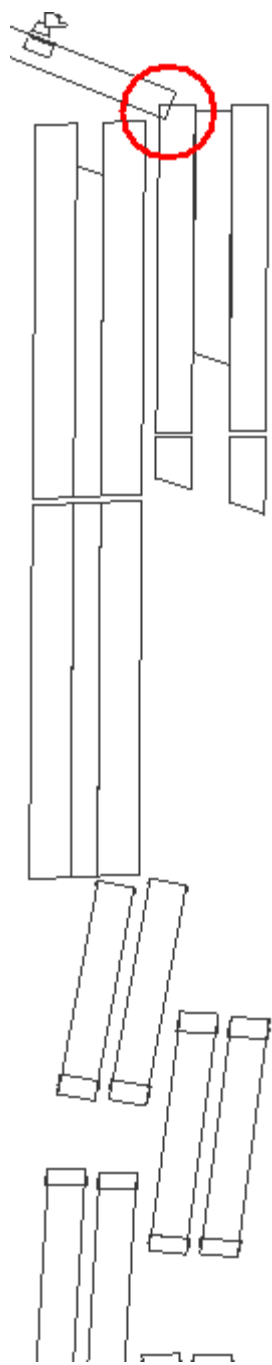
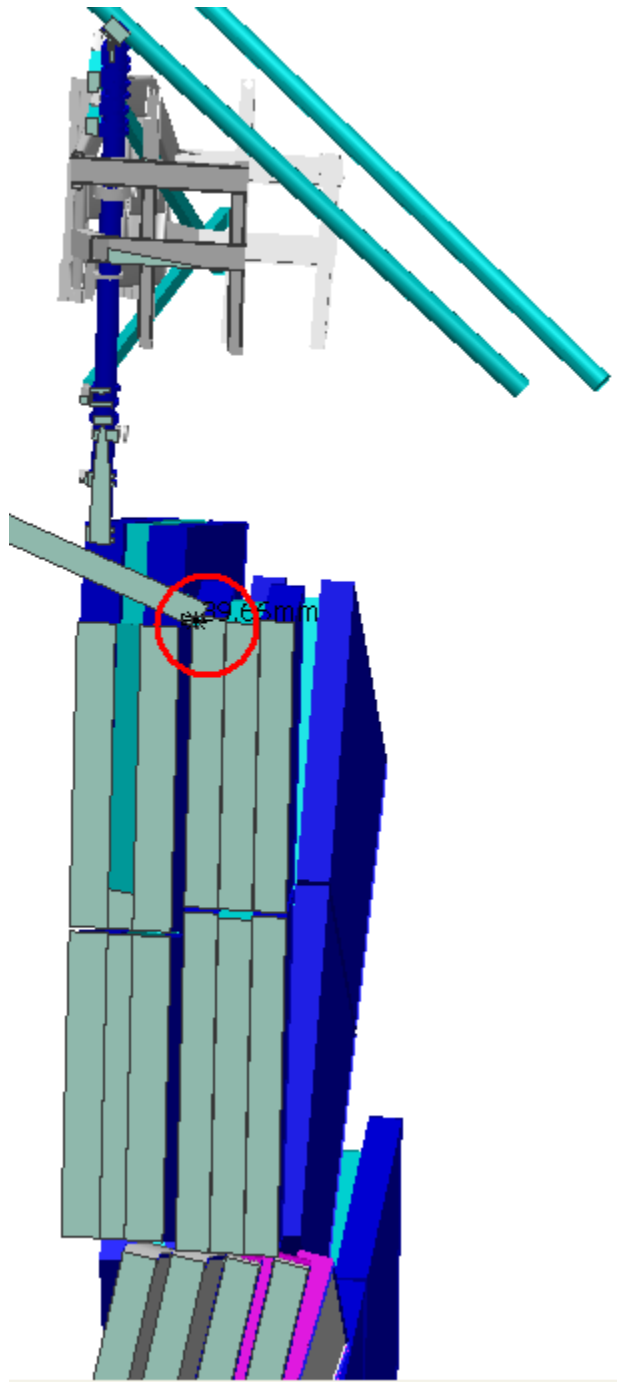
Not inspected



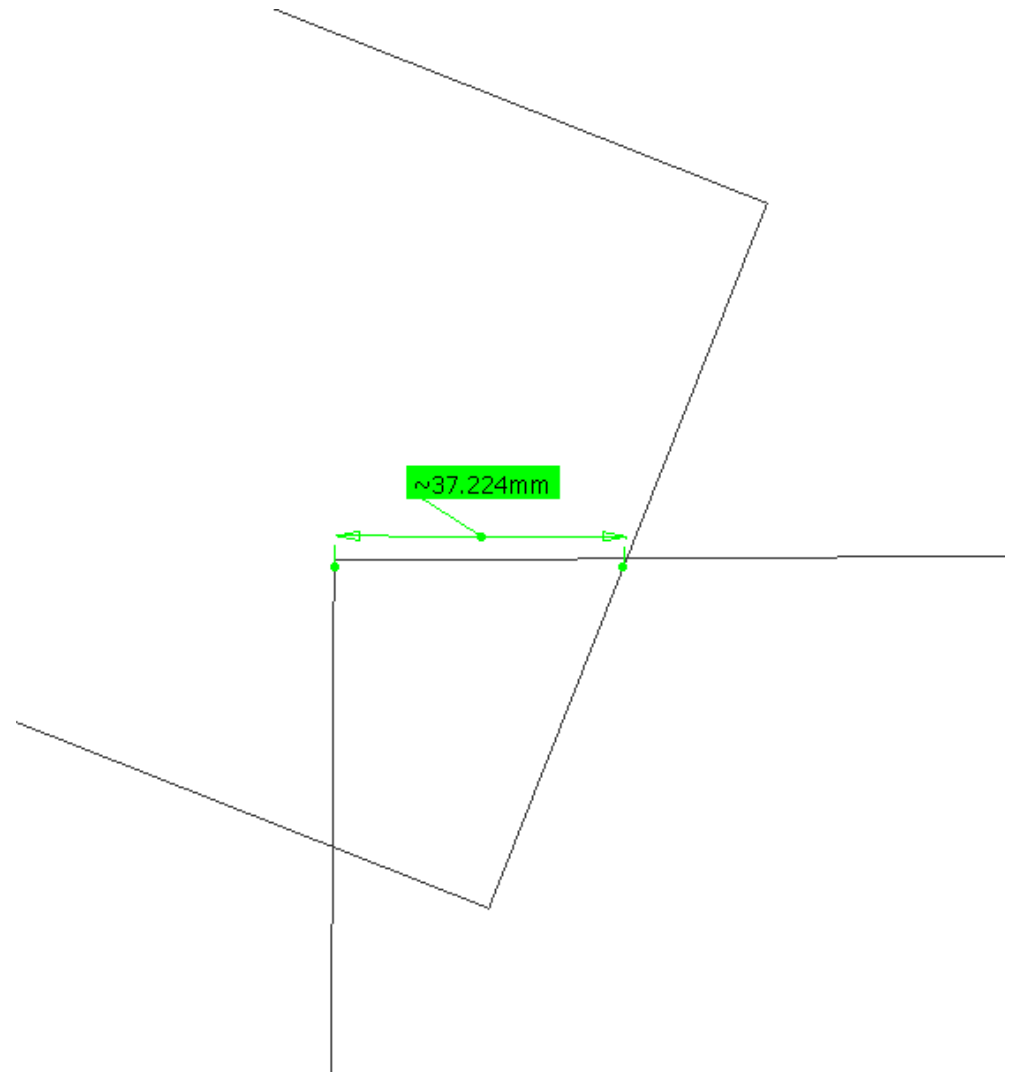
Clash value: ~ 39.7 mm

SIDE A

Sector 5



Clash View:



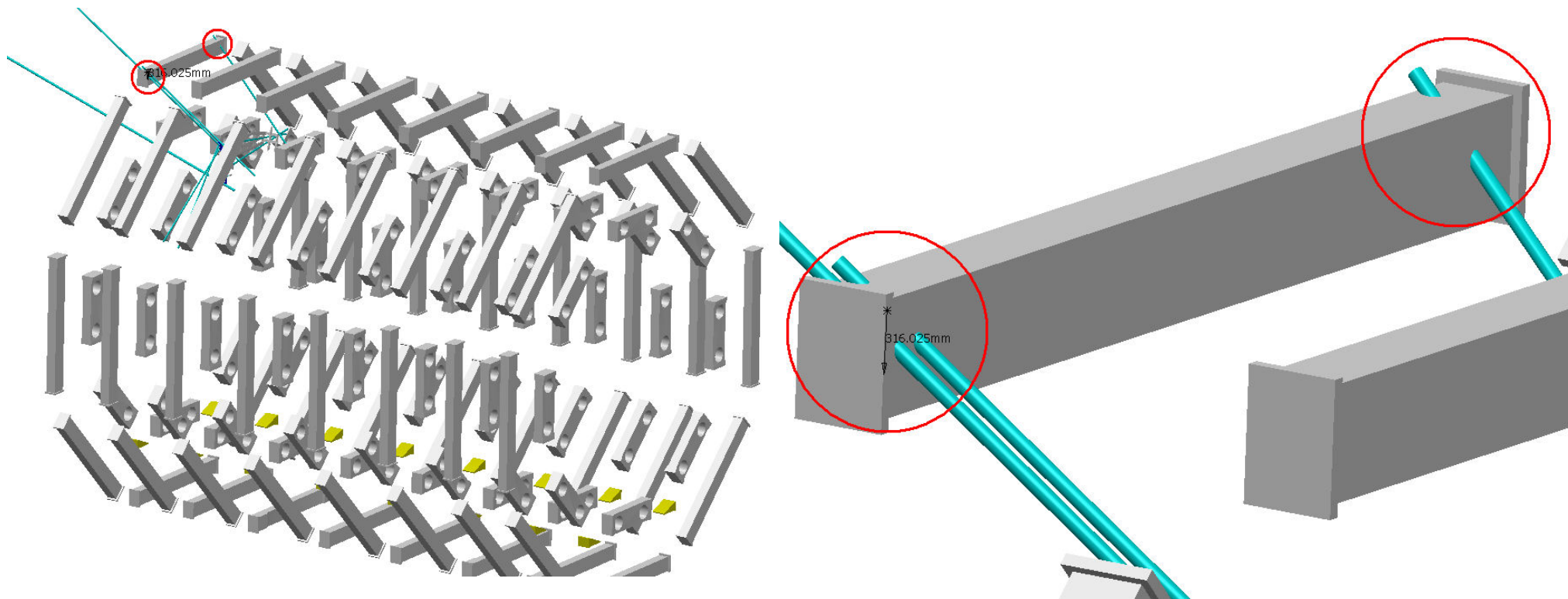
AT632805MQ - ALIGNMENT BAR
EIL4, SIDE A, SECTOR 5

NTB_0003 - TB WARM STRUCTURE - SIMPLIFIED
3-D OBJECT

Clash

-316 mm

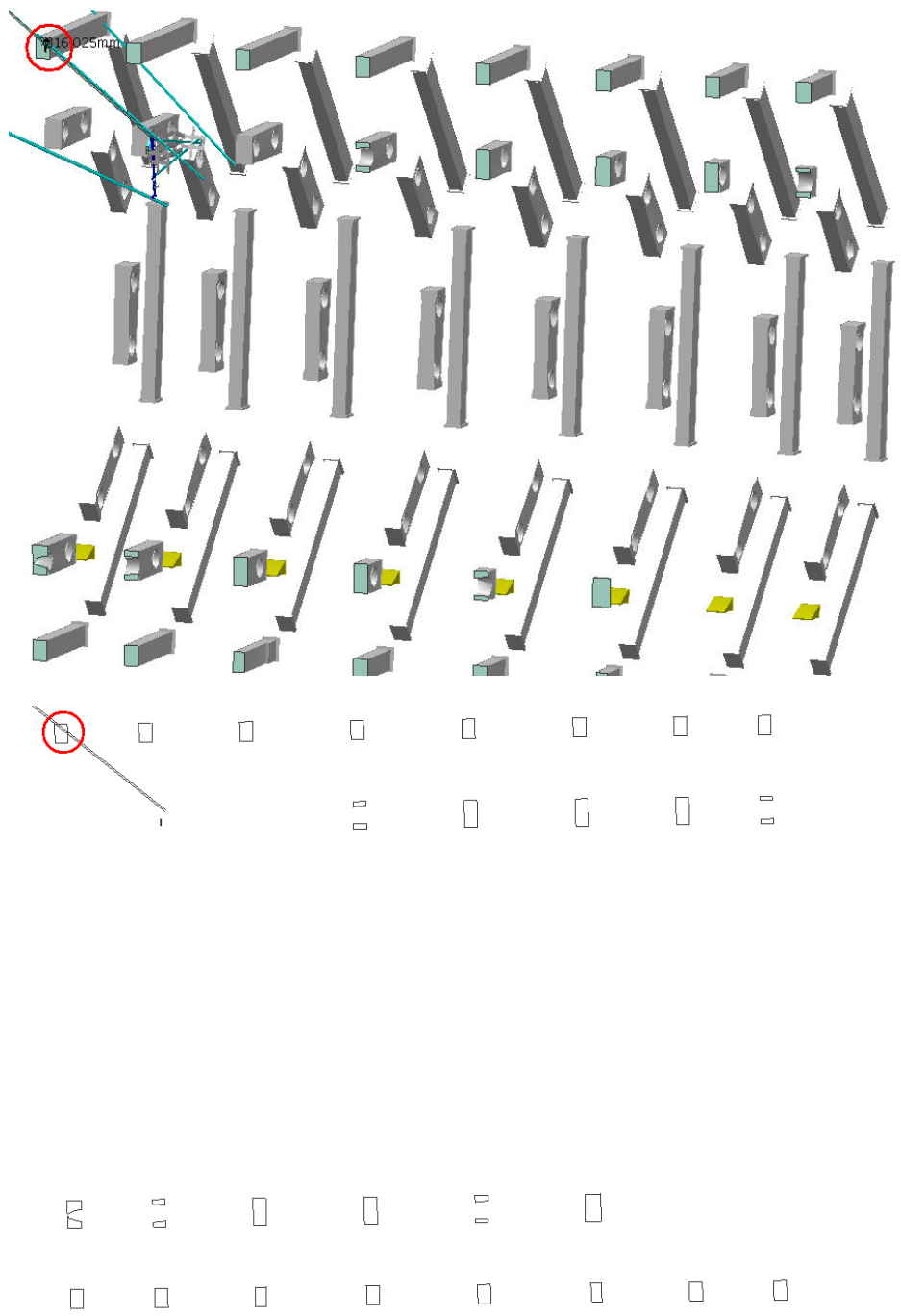
Not inspected



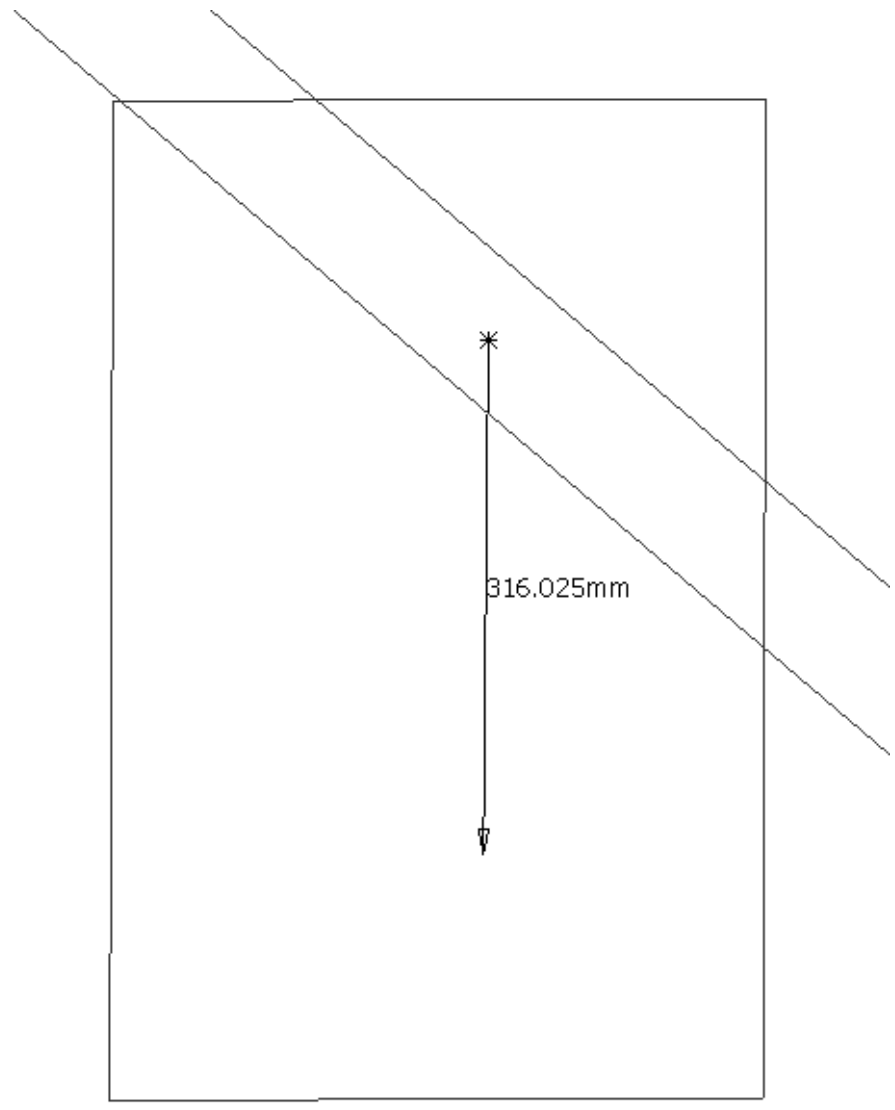
Clash value: ~ 316 mm

SIDE A

Sector 5



Clash View:



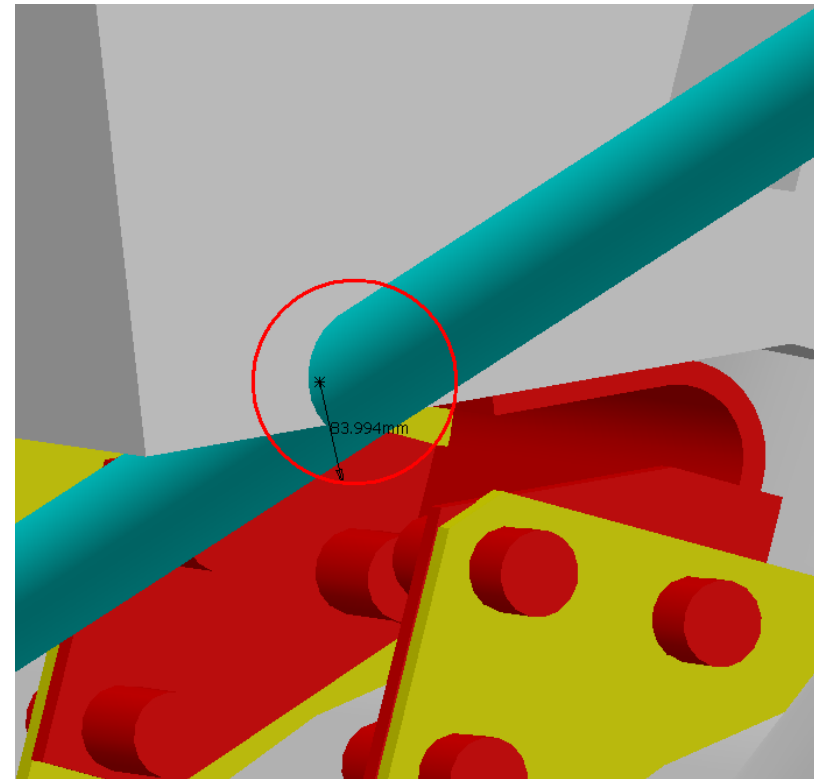
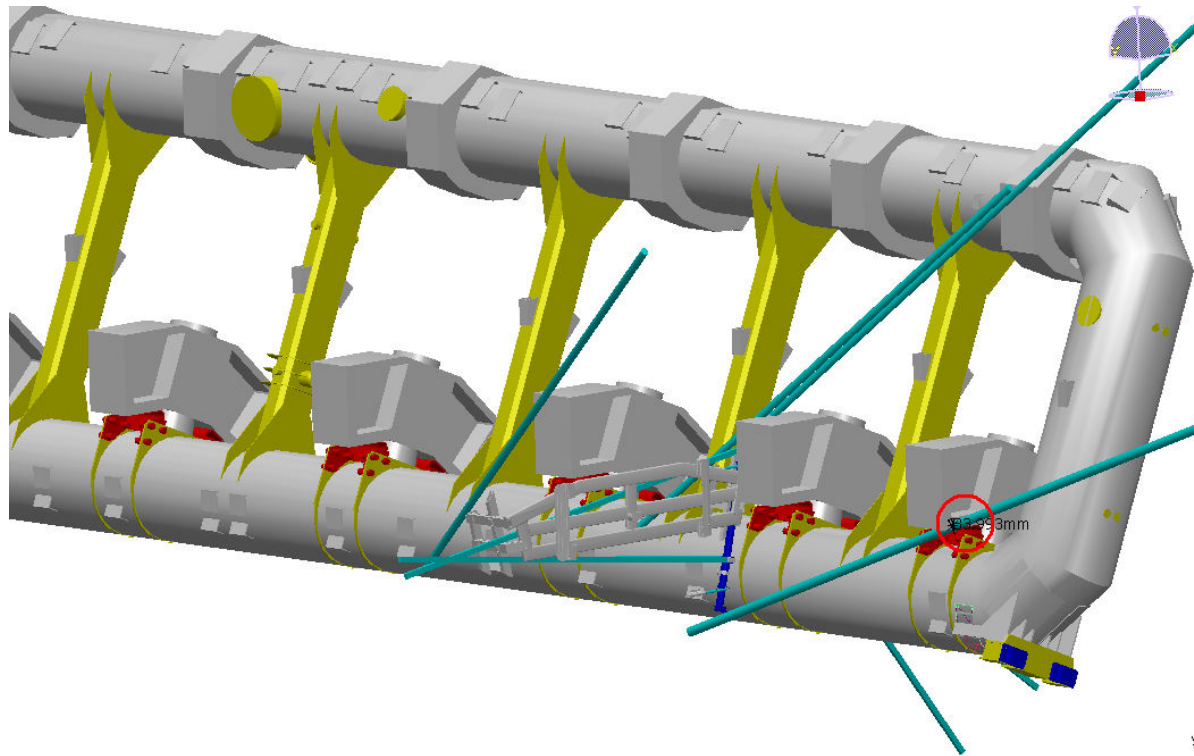
AT632805MQ - ALIGNMENT
BAR EIL4, SIDE A, SECTOR 5

NTB_0001 BT4 - TB STANDARD COIL - SECTOR 4

Clash

-84 mm

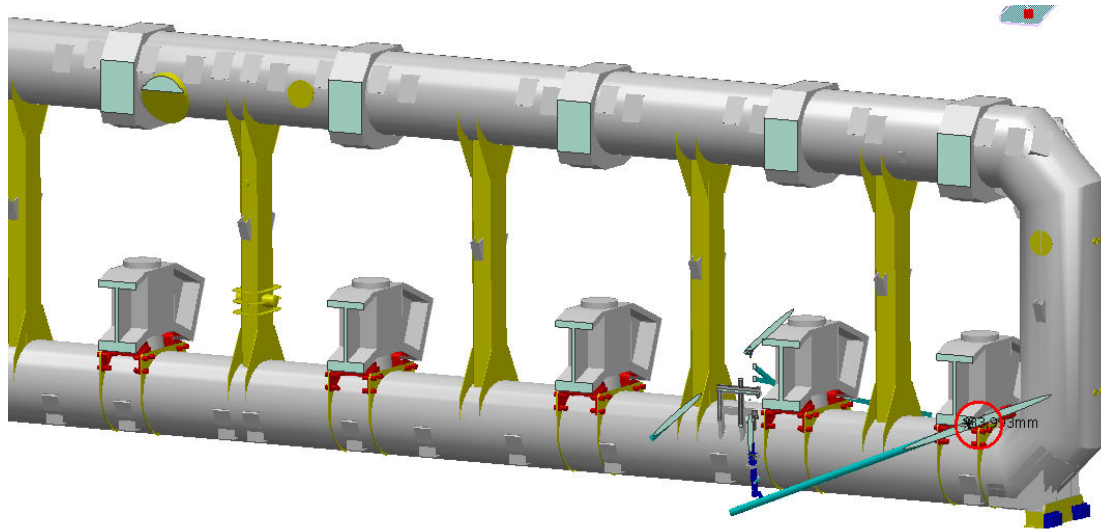
Not inspected



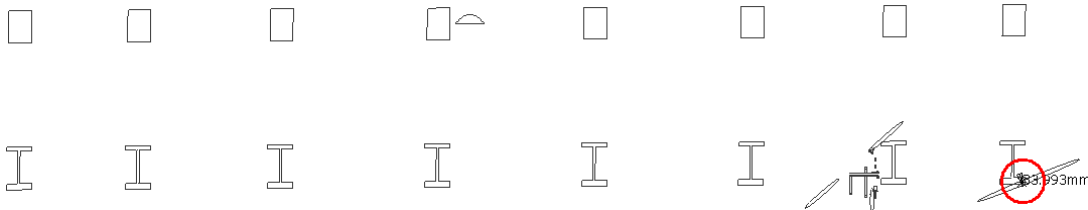
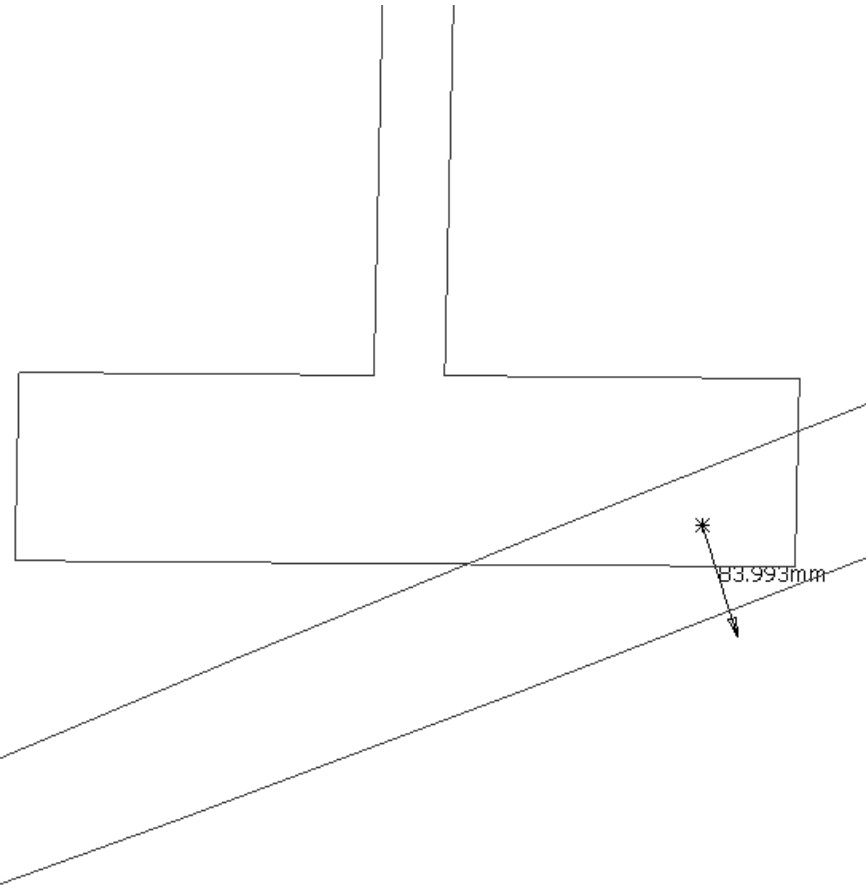
Clash value: ~ 84 mm

SIDE A

Sector 5



Clash View:



83.993mm

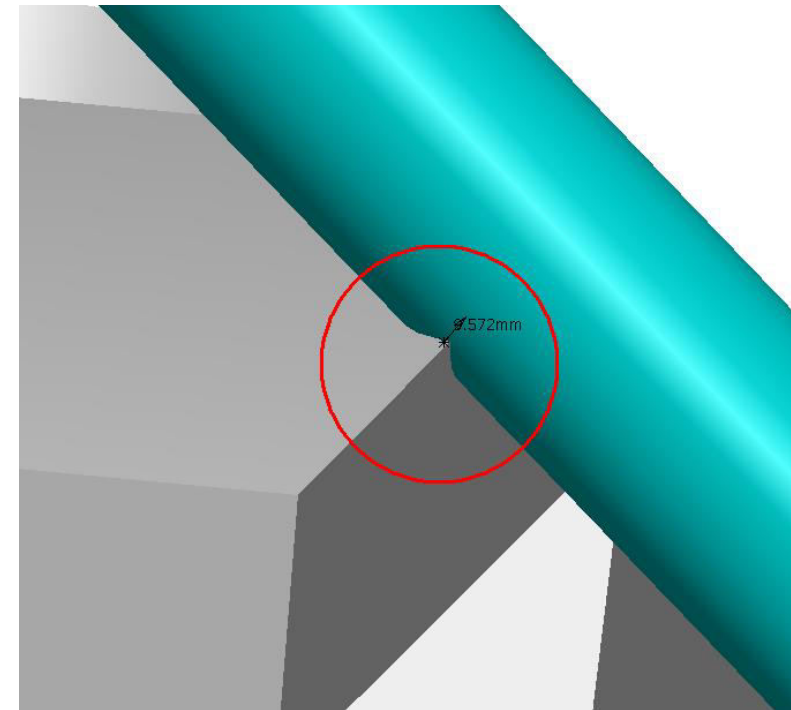
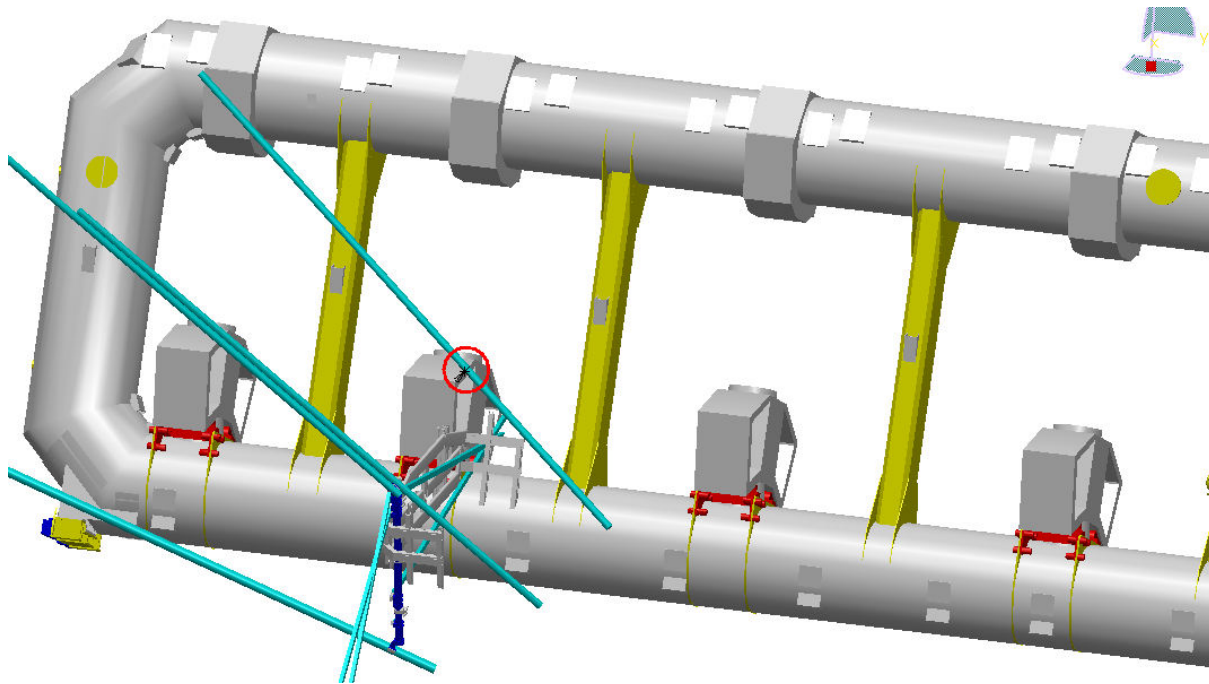
AT632805MQ - ALIGNMENT
BAR EIL4, SIDE A, SECTOR 5

NTB_0001 BT6 - TB STANDARD COIL - SECTOR 6

Clash

-9.6 mm

Not inspected



Clash value: ~ 9.6 mm

SIDE A

Sector 5

Clash View:

