

Clash Publish



Clash Computation Specification			
Products Selected		Value	Status
AT632804MQ - ALIGNMENT BAR EIL4, SIDE A, SECTOR 3	AT602154MQ - MUON BARREL CHAMBERS DETAILED - SECTOR 2	-720.7 mm	Not inspected
	NMC_0017 - MEI, CSC CHAMBERS - SIMPLIFIED 3-D OBJECT	-39.7 mm	Not inspected
	NTB_0003 - TB WARM STRUCTURE - SIMPLIFIED 3-D OBJECT	-347 mm	Not inspected
	NTB_0001 BT2 - TB STANDARD COIL - SECTOR 2	-83.9 mm	Not inspected
	NTB_0001 BT4 - TB STANDARD COIL - SECTOR 4	-9.6 mm	Not inspected

Computation Result:

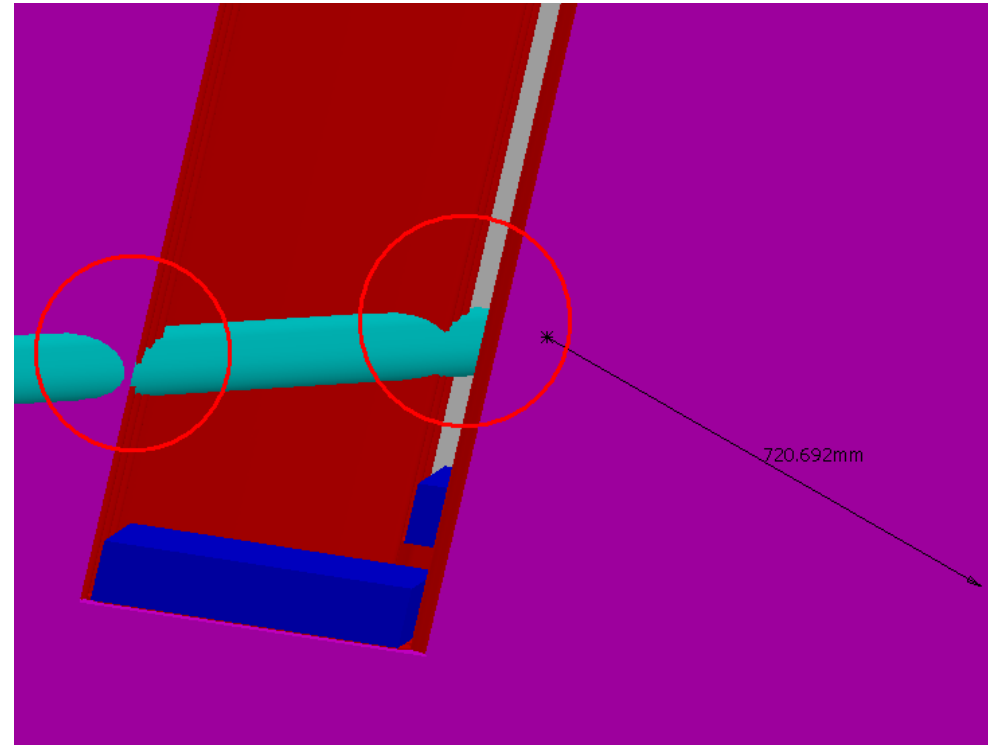
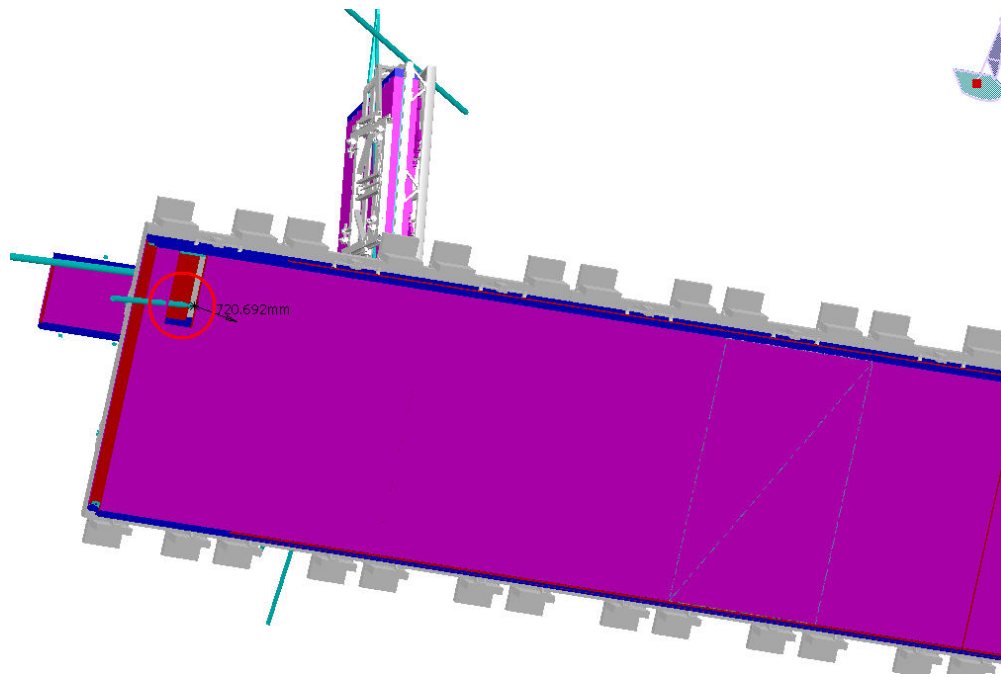
AT632804MQ - ALIGNMENT BAR
EIL4, SIDE A, SECTOR 3

AT602154MQ - MUON BARREL CHAMBERS
DETAILED - SECTOR 2

Clash

-720.7 mm

Not inspected

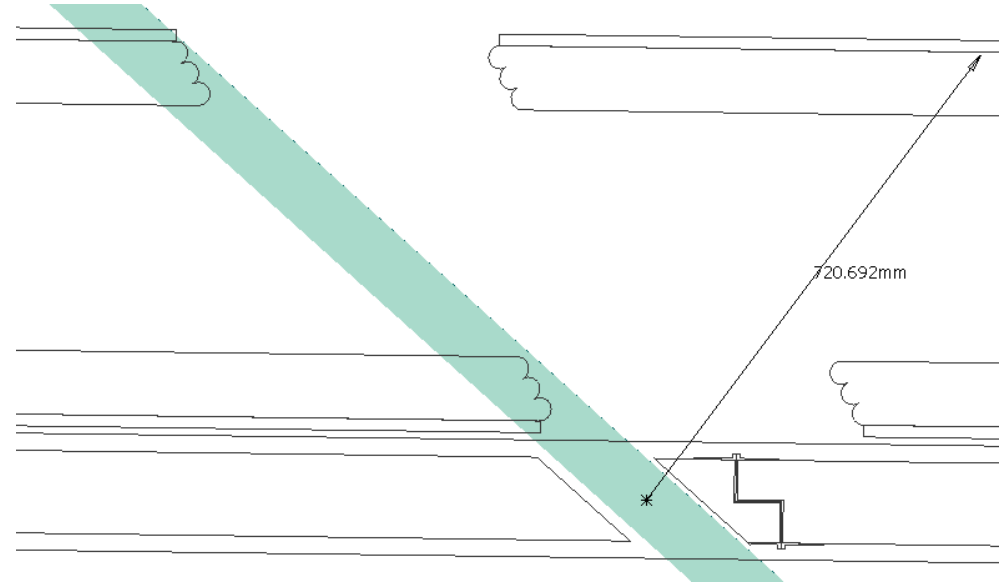
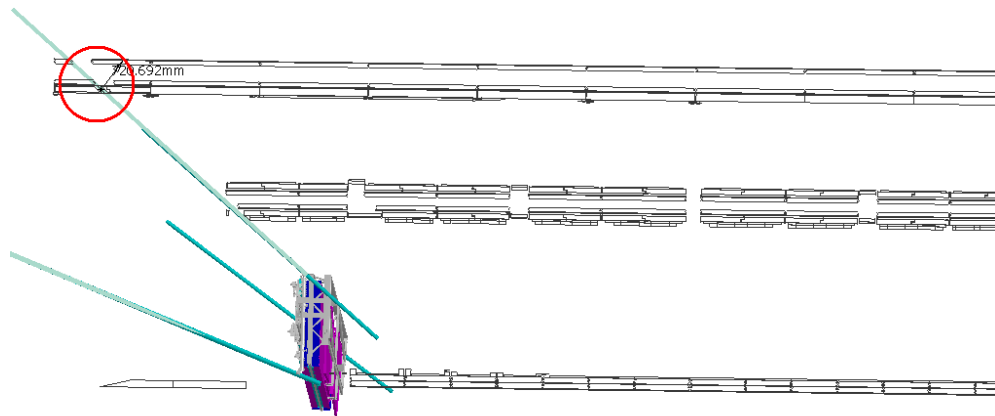
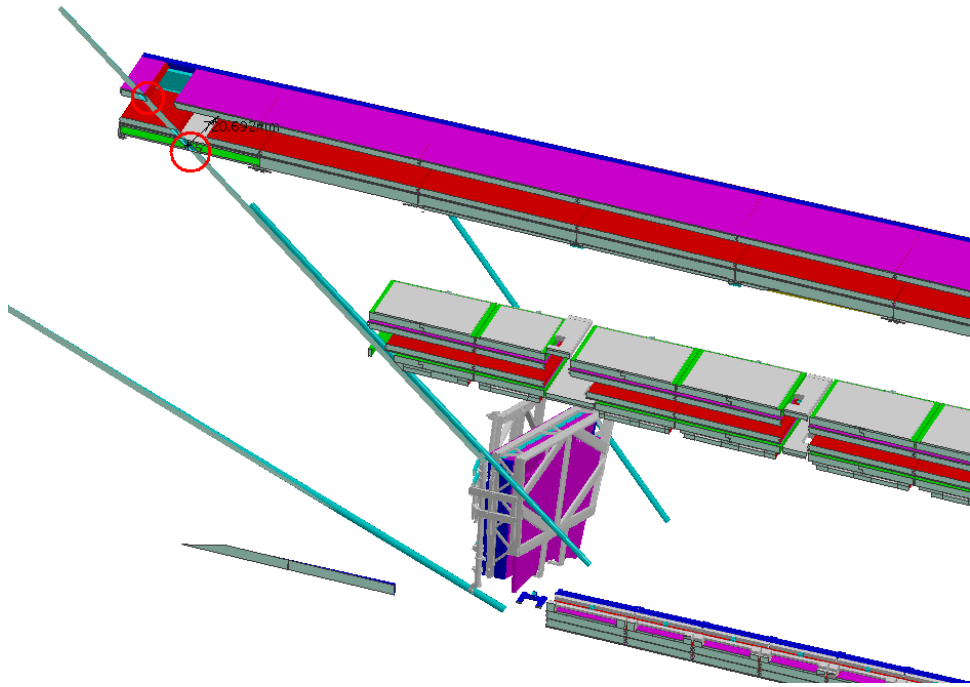


Clash value: ~ 720.7 mm

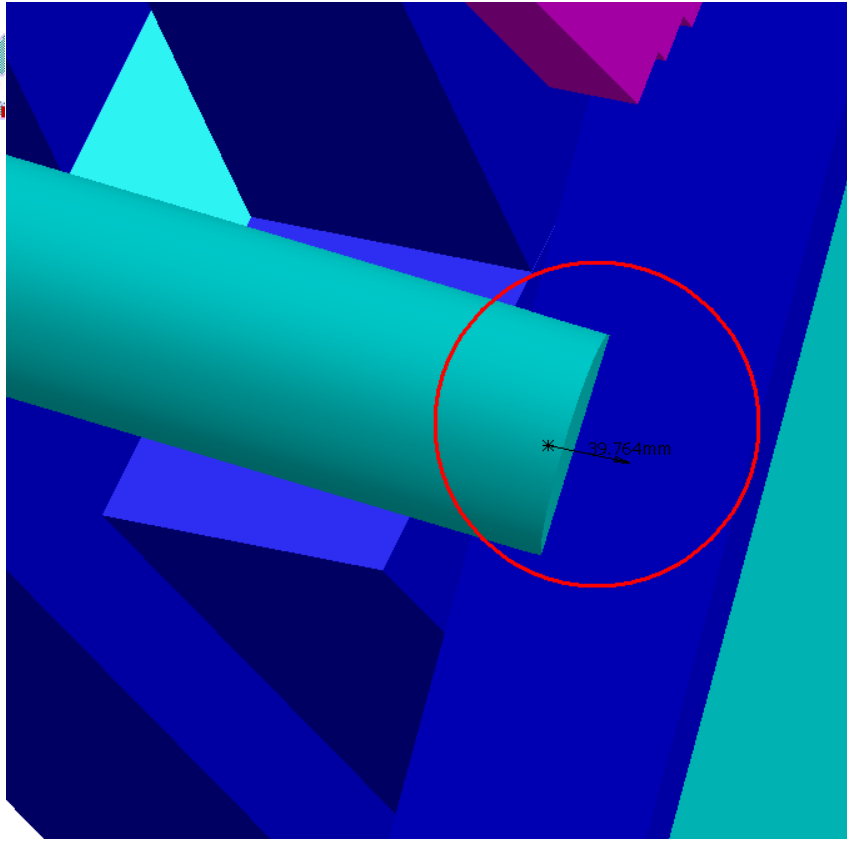
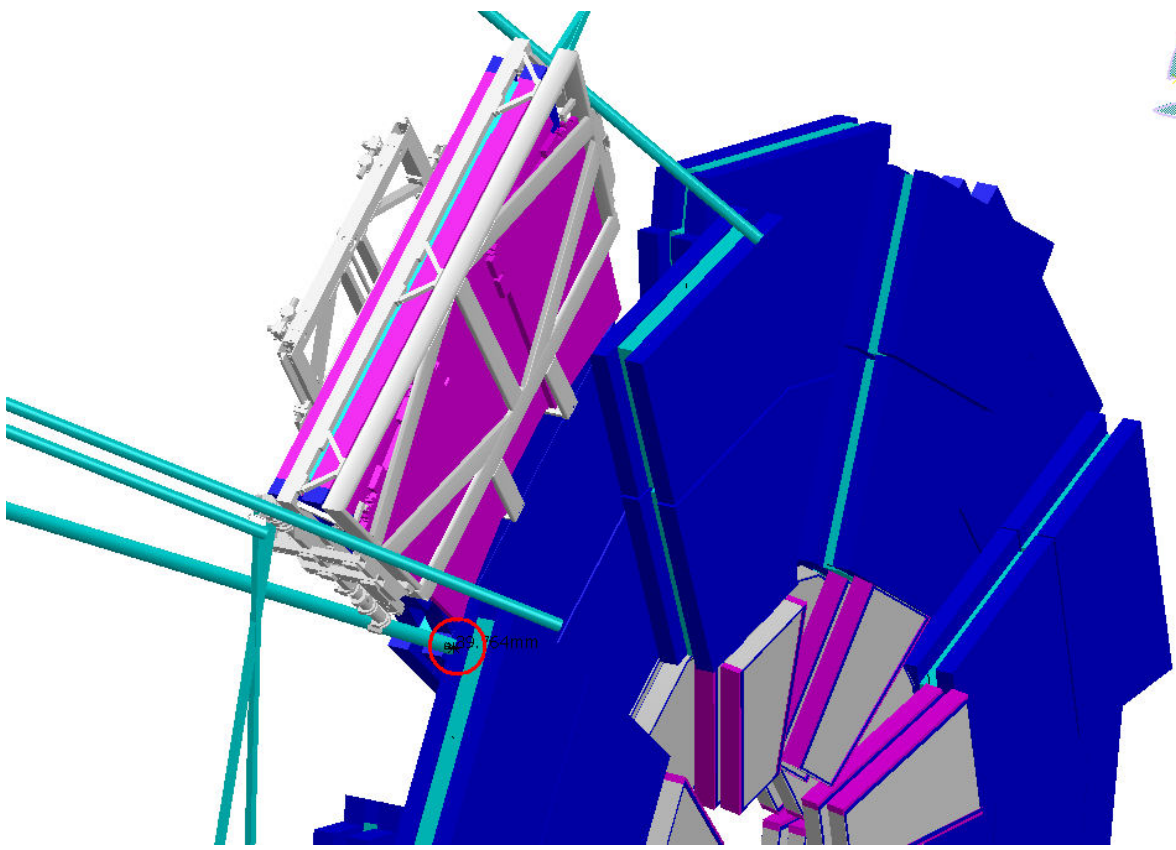
SIDE A

Sector 3

Clash View:



AT632804MQ - ALIGNMENT BAR EIL4, SIDE A, SECTOR 3	NMC_0017 - MEI, CSC CHAMBERS - SIMPLIFIED 3-D OBJECT	Clash	-39.7 mm	Not inspected
--	---	-------	----------	---------------

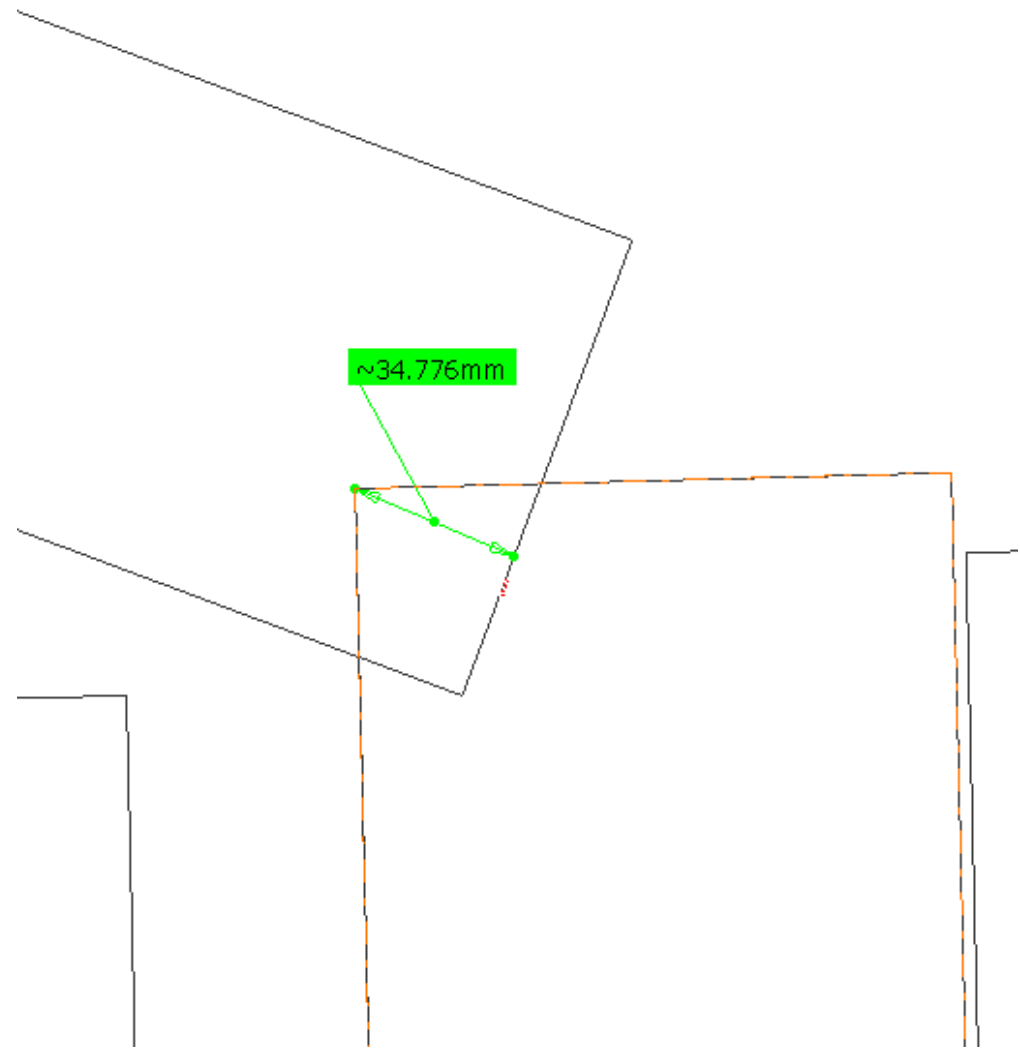
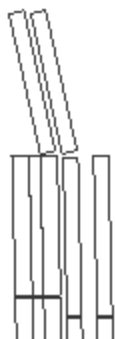
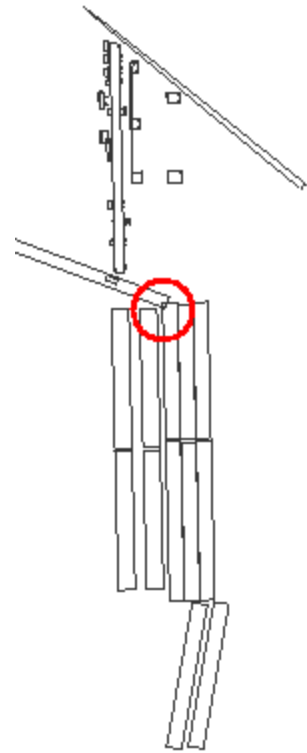
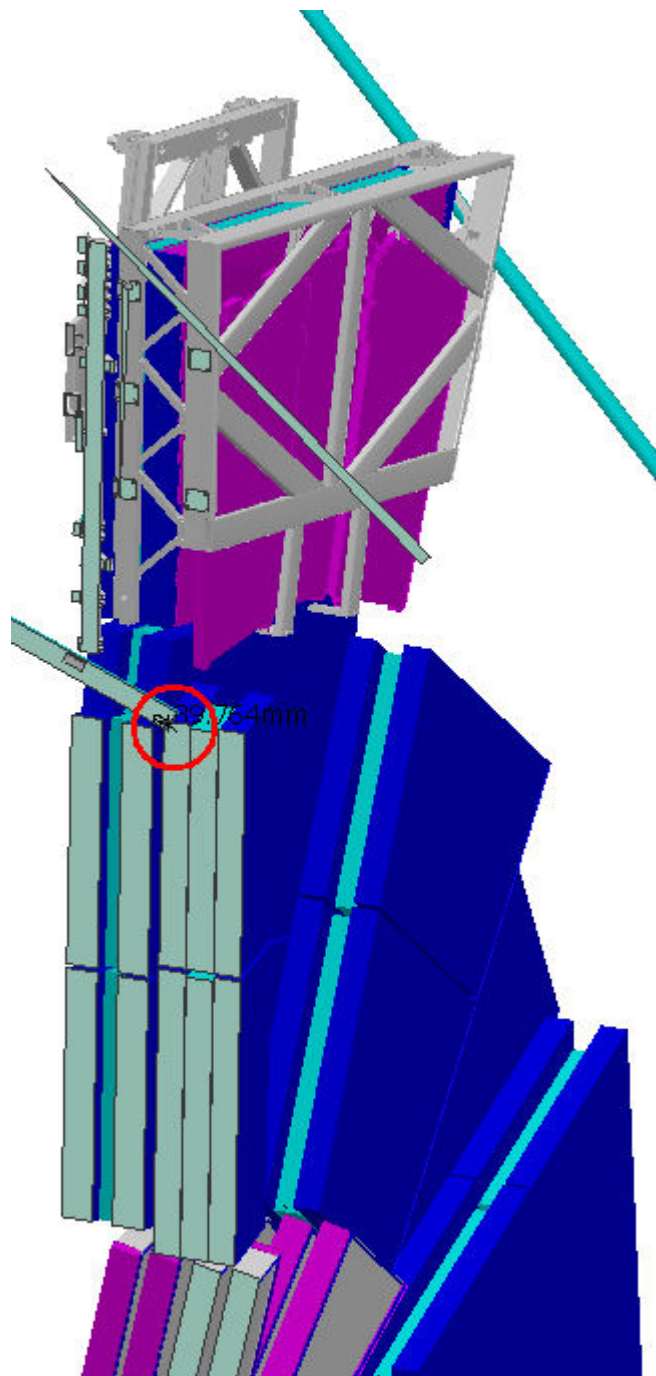


Clash value: ~ 39.7 mm

SIDE A

Sector 3

Clash View:



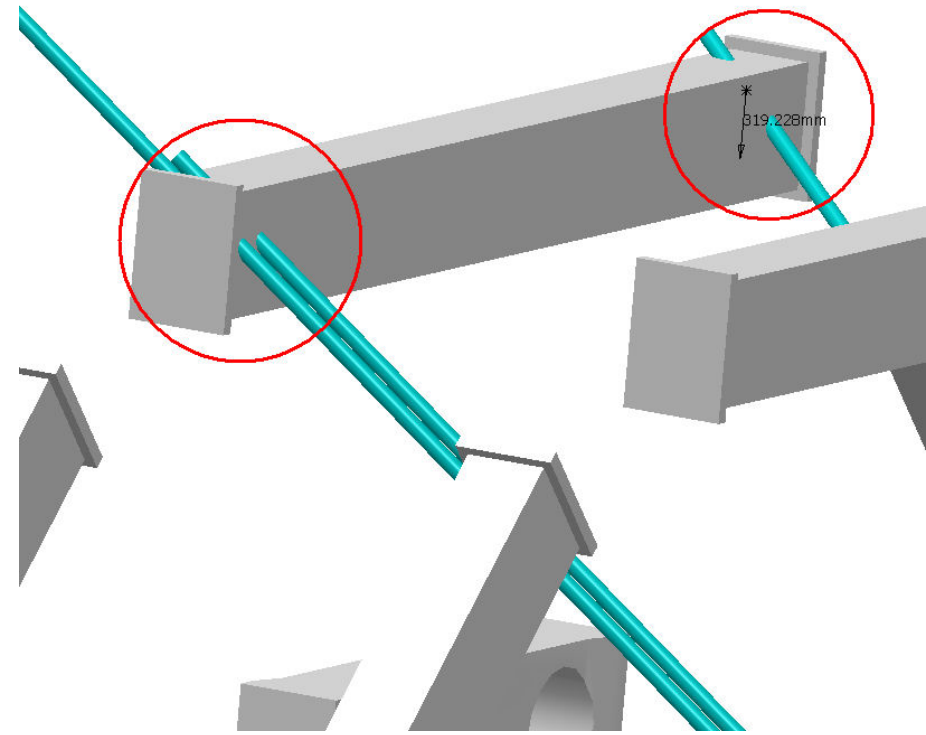
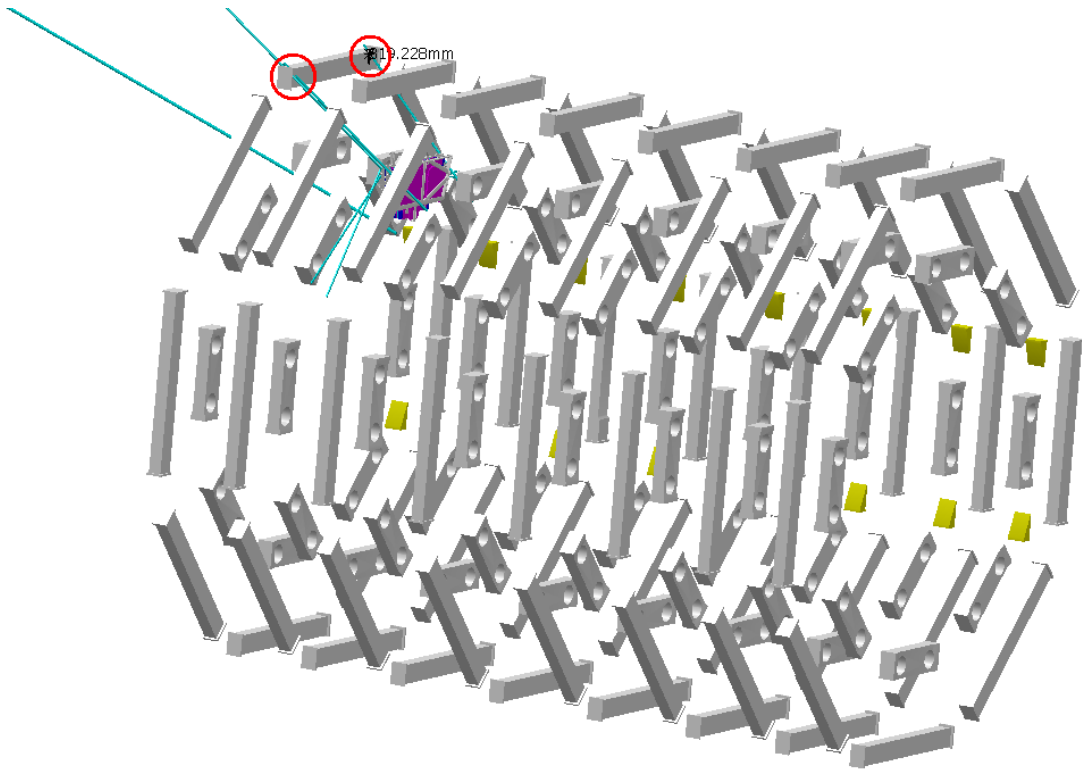
AT632804MQ - ALIGNMENT BAR
EIL4, SIDE A, SECTOR 3

NTB_0003 - TB WARM STRUCTURE - SIMPLIFIED
3-D OBJECT

Clash

-347 mm

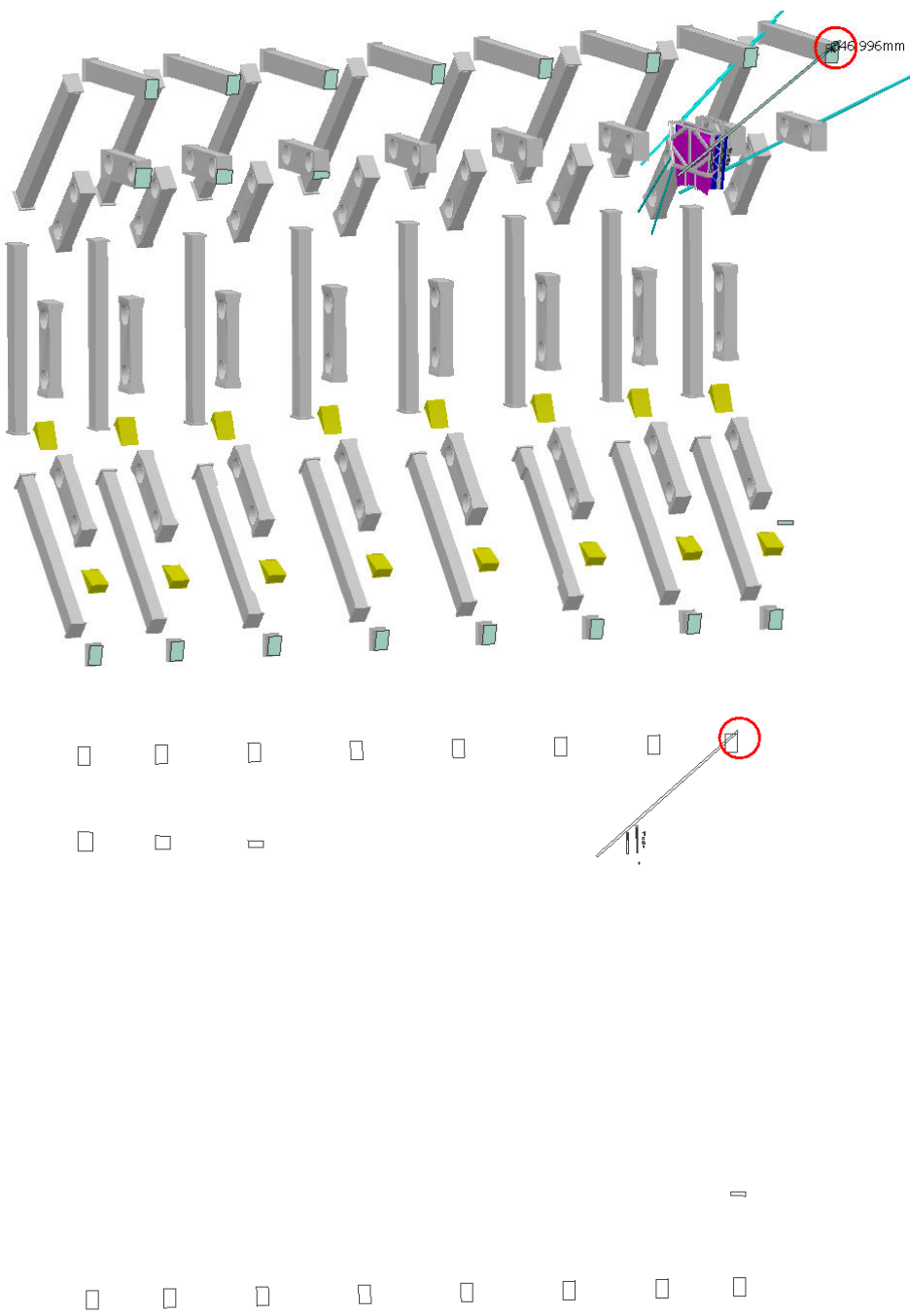
Not inspected



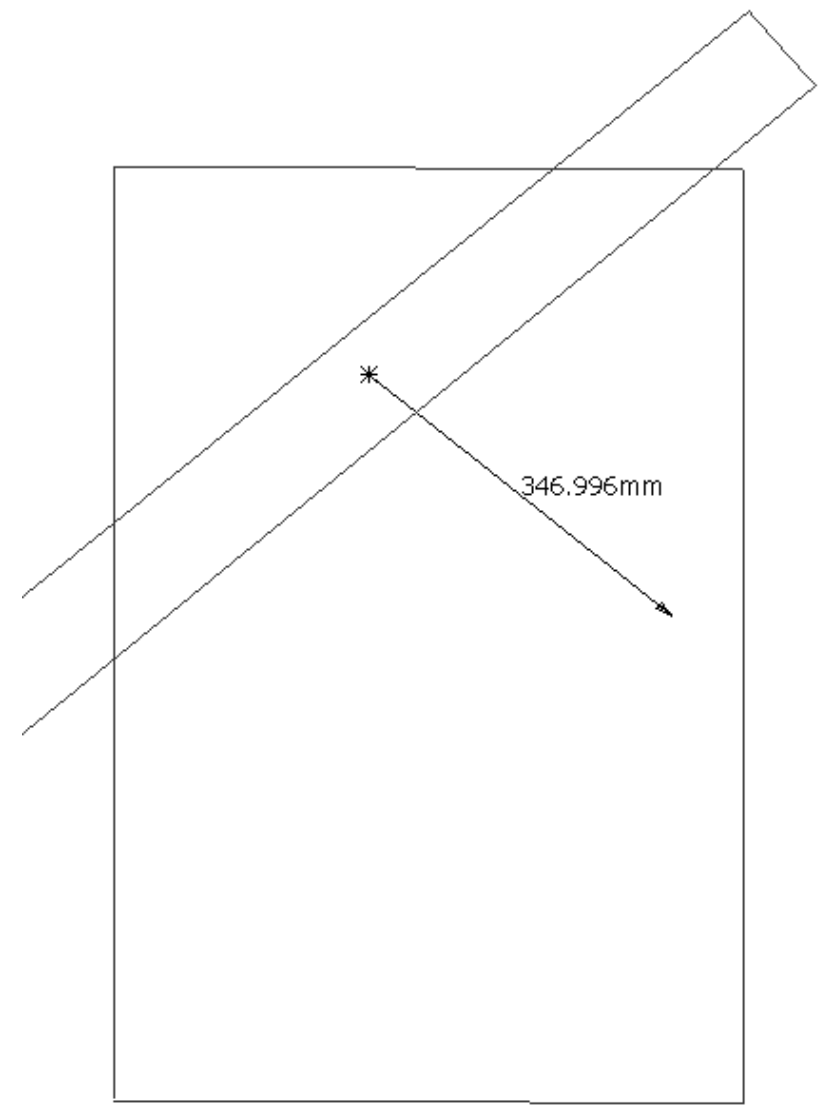
Clash value: ~ 347 mm

SIDE A

Sector 3



Clash View:



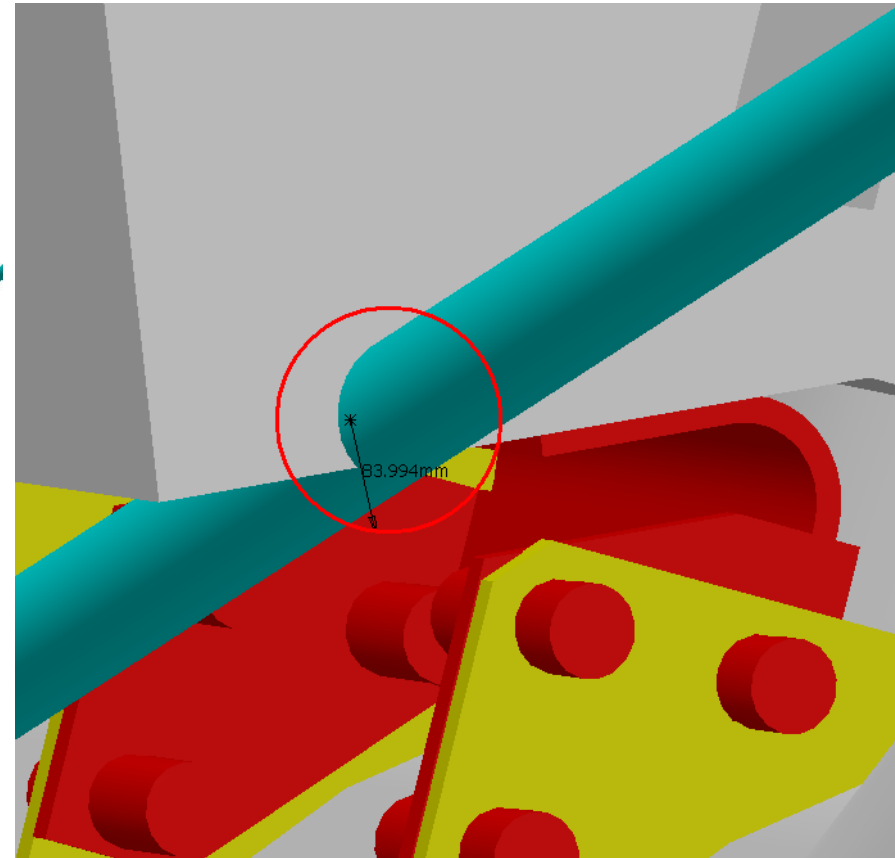
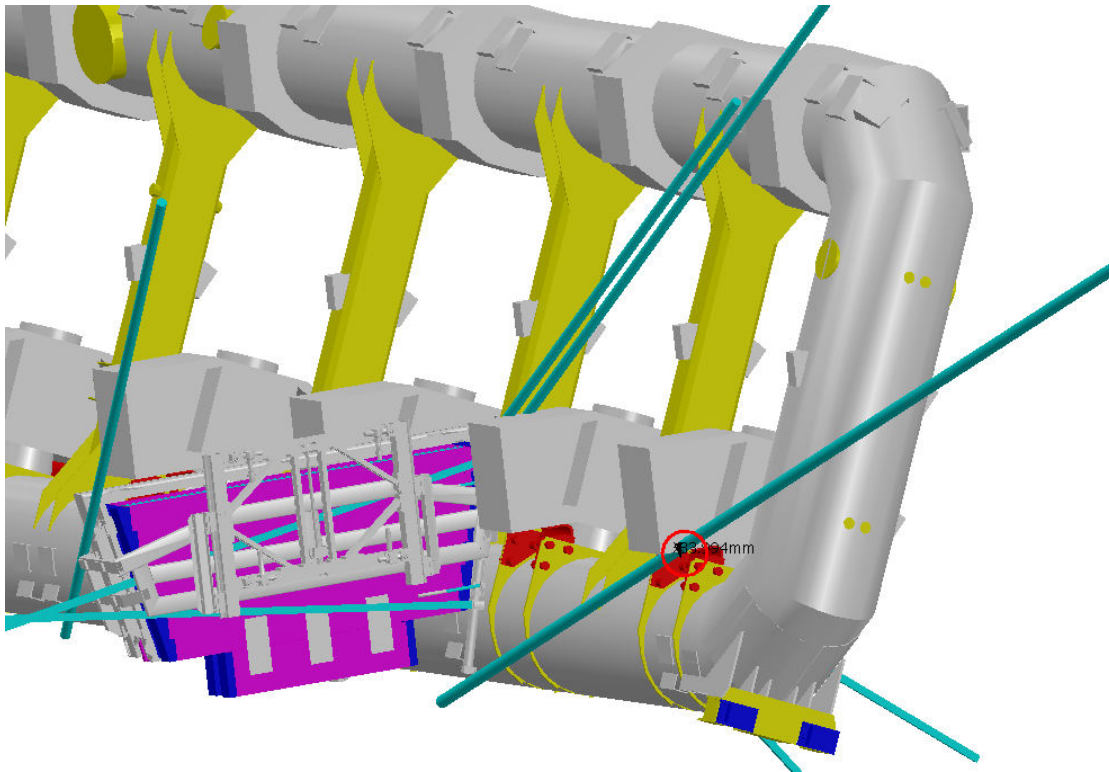
AT632804MQ - ALIGNMENT
BAR EIL4, SIDE A, SECTOR 3

NTB_0001 BT2 - TB STANDARD COIL - SECTOR 2

Clash

-84 mm

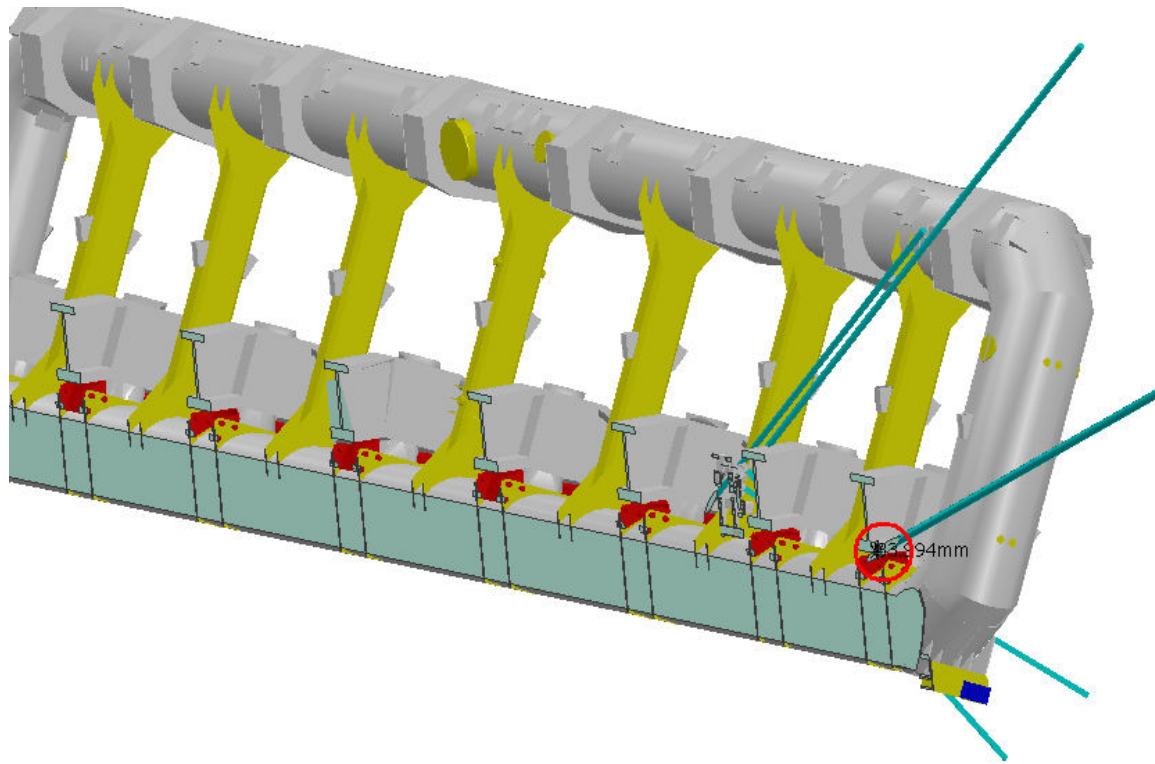
Not inspected



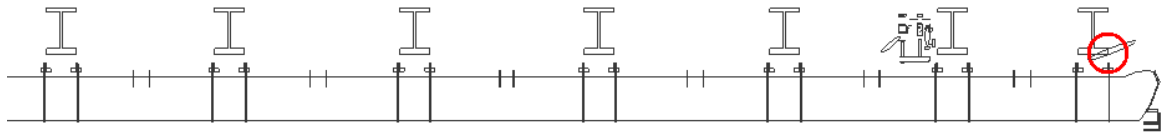
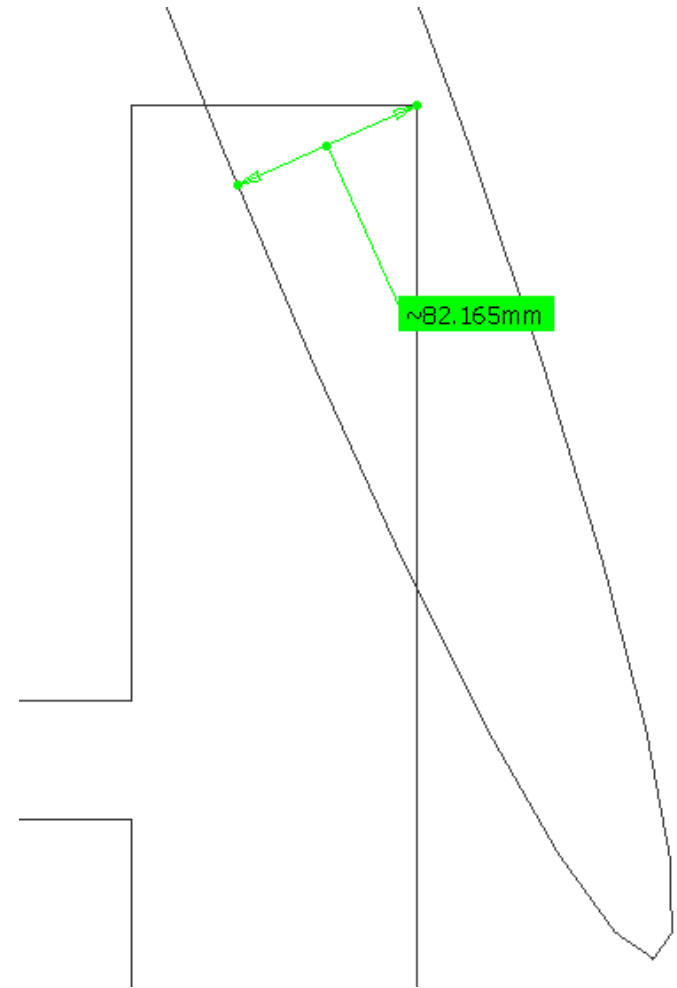
Clash value: ~ 84 mm

SIDE A

Sector 3



Clash View:



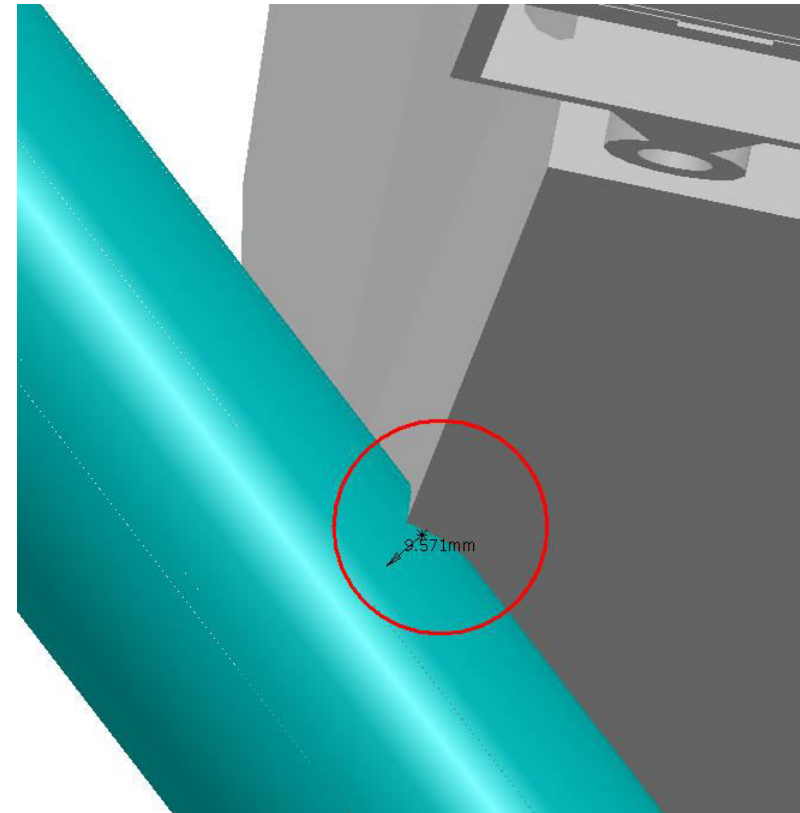
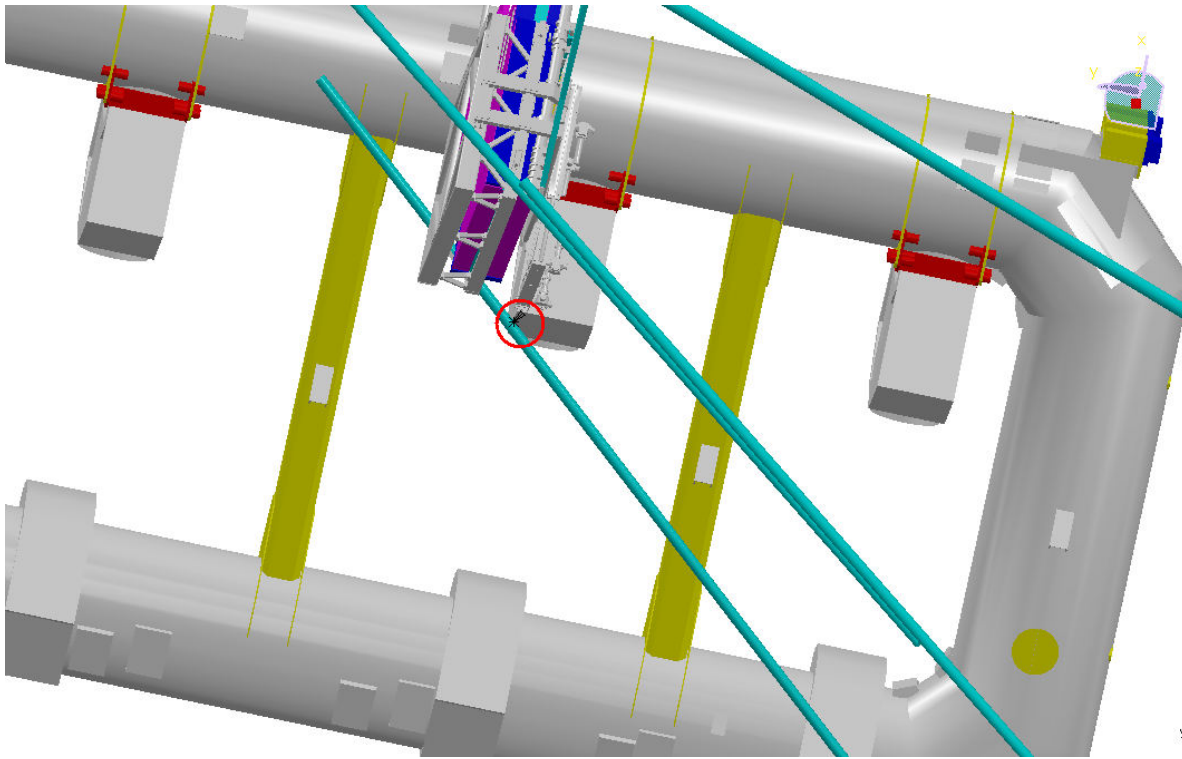
AT632804MQ - ALIGNMENT
BAR EIL4, SIDE A, SECTOR 3

NTB_0001 BT4 - TB STANDARD COIL - SECTOR 4

Clash

-9.6 mm

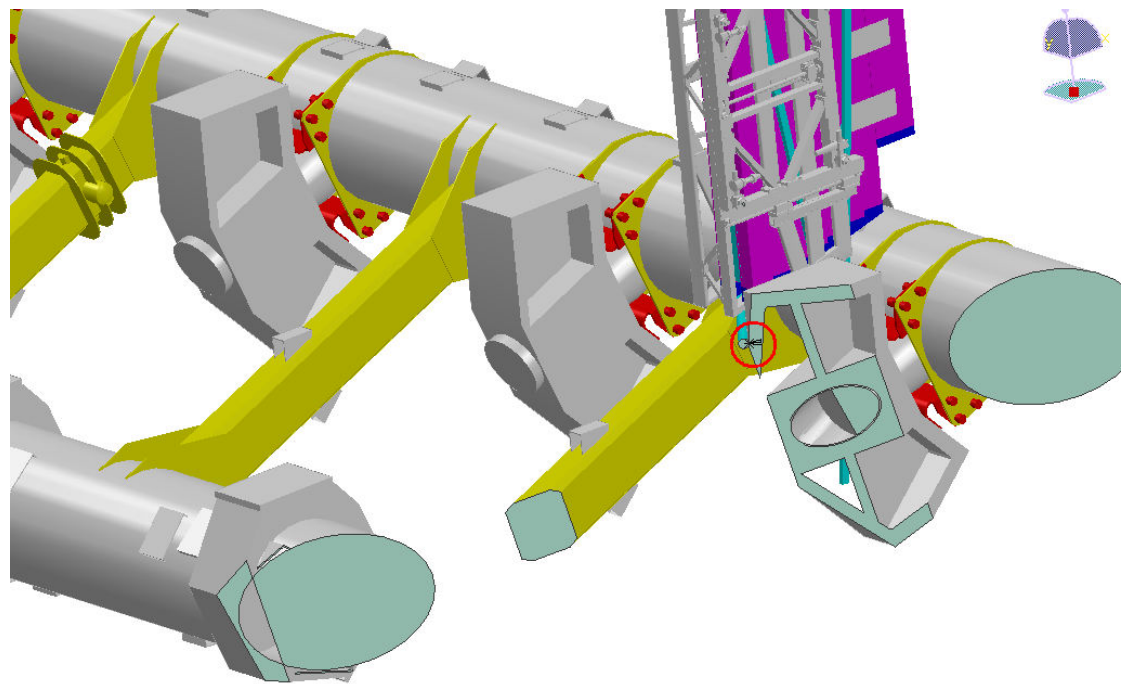
Not inspected



Clash value: ~ 9.6 mm

SIDE A

Sector 3



Clash View:

